



US00D669541S

(12) **United States Design Patent**  
**Mercier et al.**

(10) **Patent No.:** **US D669,541 S**  
(45) **Date of Patent:** **\*\* Oct. 23, 2012**

(54) **CONTROL PANEL OF CHASSIS FOR A VIDEO GAME CONSOLE**

(75) Inventors: **Dean T. Mercier**, Bellevue, WA (US);  
**Mark W. Anders**, Hong Kong (CN);  
**Kevin O'Doherty**, Hong Kong (CN)

(73) Assignee: **G.A.E.M.S., Inc.**, Redmond, WA (US)

(\*\*) Term: **14 Years**

(21) Appl. No.: **29/382,611**

(22) Filed: **Jan. 5, 2011**

(51) **LOC (9) Cl.** ..... **21-01**

(52) **U.S. Cl.** ..... **D21/333; D21/330**

(58) **Field of Classification Search** ..... D21/324–333,  
D21/369, 385; 273/148 B, 148 R, 461; D14/495,  
D14/338, 339, 348, 356, 432, 433, 471, 474,  
D14/137, 160, 168, 188–181, 203.1–203.8,  
D14/219, 265, 257; 345/156–161, 1.1;  
455/344–351; 369/6–12; 463/1, 29–35,  
463/46, 47; 16/321, 337; 248/176.1, 915,  
248/921; 285/188, 231–234, 304, 330  
See application file for complete search history.

(56) **References Cited**

**U.S. PATENT DOCUMENTS**

4,542,903	A *	9/1985	Yokoi et al.	463/31
D447,134	S *	8/2001	Kiai	D14/257
6,400,351	B1 *	6/2002	Ishizawa et al.	345/156
6,498,721	B1 *	12/2002	Kim	361/679.06
D477,850	S *	7/2003	Hussaini et al.	D21/333
6,587,333	B2 *	7/2003	Tseng et al.	361/679.05
D478,128	S *	8/2003	Hussaini et al.	D21/333
D483,415	S *	12/2003	Hussaini et al.	D21/333
6,771,494	B2 *	8/2004	Shimano	361/679.06
6,958,902	B2 *	10/2005	Tseng et al.	361/679.06

D515,633	S *	2/2006	Avery	D21/330
6,998,902	B2 *	2/2006	Sugimura	327/539
D552,688	S *	10/2007	Hussaini et al.	D21/333
D555,667	S *	11/2007	Hussaini et al.	D14/496
D559,327	S *	1/2008	Luk et al.	D21/332
D607,946	S *	1/2010	Ehara et al.	D21/330
D638,066	S *	5/2011	Myers et al.	D21/330
D650,447	S *	12/2011	Ehara et al.	D21/330
D650,448	S *	12/2011	Zenri et al.	D21/333
D655,758	S *	3/2012	Sunabe et al.	D21/333
D657,426	S *	4/2012	Gomez	D21/330

\* cited by examiner

*Primary Examiner* — Prabhakar Deshmukh

(74) *Attorney, Agent, or Firm* — Davis Wright Tremaine LLP; George C. Rondeau, Jr.

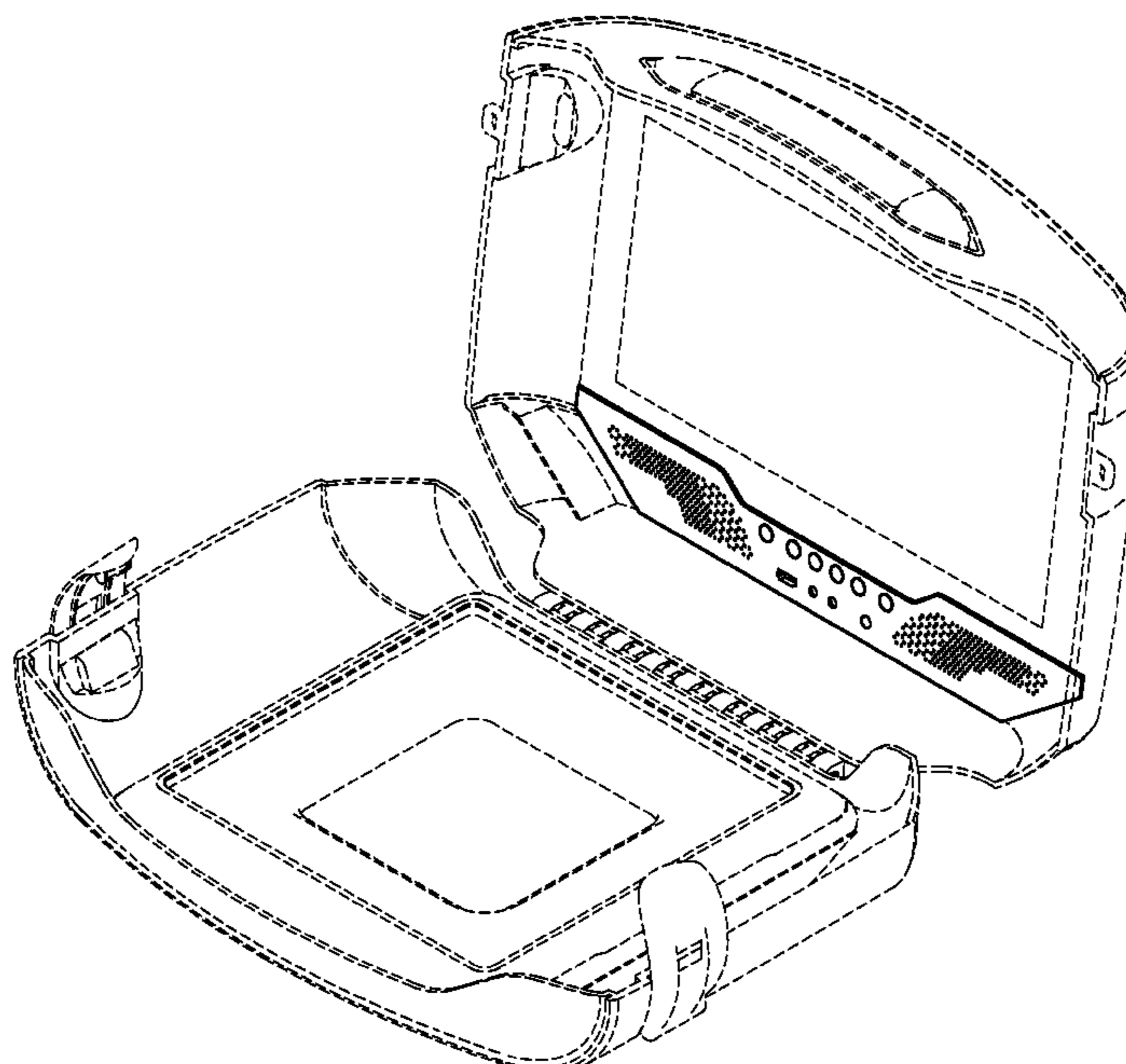
(57) **CLAIM**

The ornamental design for a control panel of chassis for a video game console, as shown and described.

**DESCRIPTION**

FIG. 1 is a top front perspective view of a control panel of chassis for a video game console showing our new design; FIG. 2 is a front elevational view thereof; FIG. 3 is a top plan view thereof; FIG. 4 is a right side elevational view thereof; FIG. 5 is a left side elevational view thereof; FIG. 6 is a top front perspective view of another embodiment of FIG. 1; FIG. 7 is a front elevational view of FIG. 6; FIG. 8 is a top plan view of FIG. 6; FIG. 9 is a right side elevational view of FIG. 6; and, FIG. 10 is a left side elevational view of FIG. 6. The broken lines represent disclaimed portions and form no part of the claimed design.

**1 Claim, 10 Drawing Sheets**



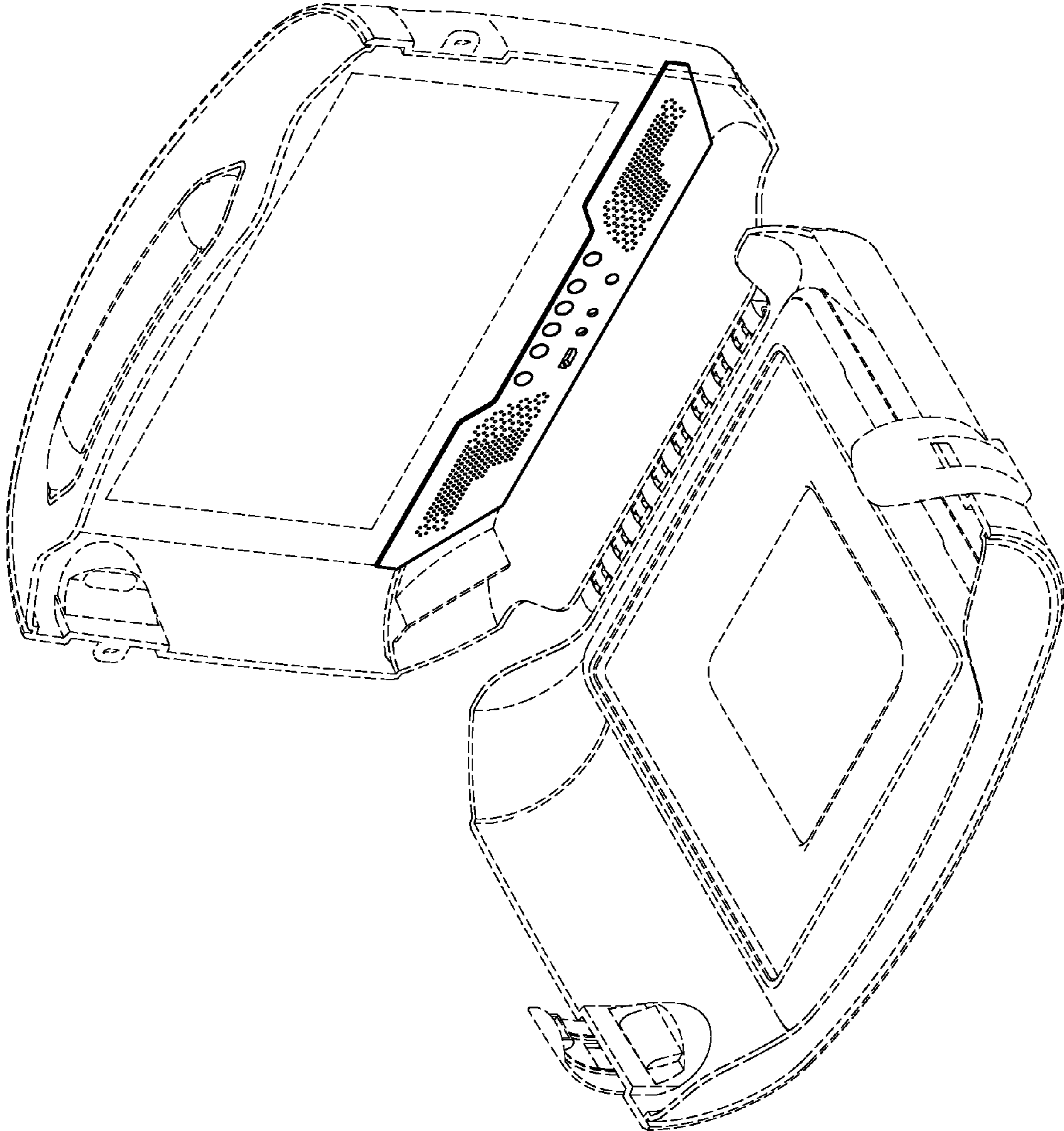


Fig. 1

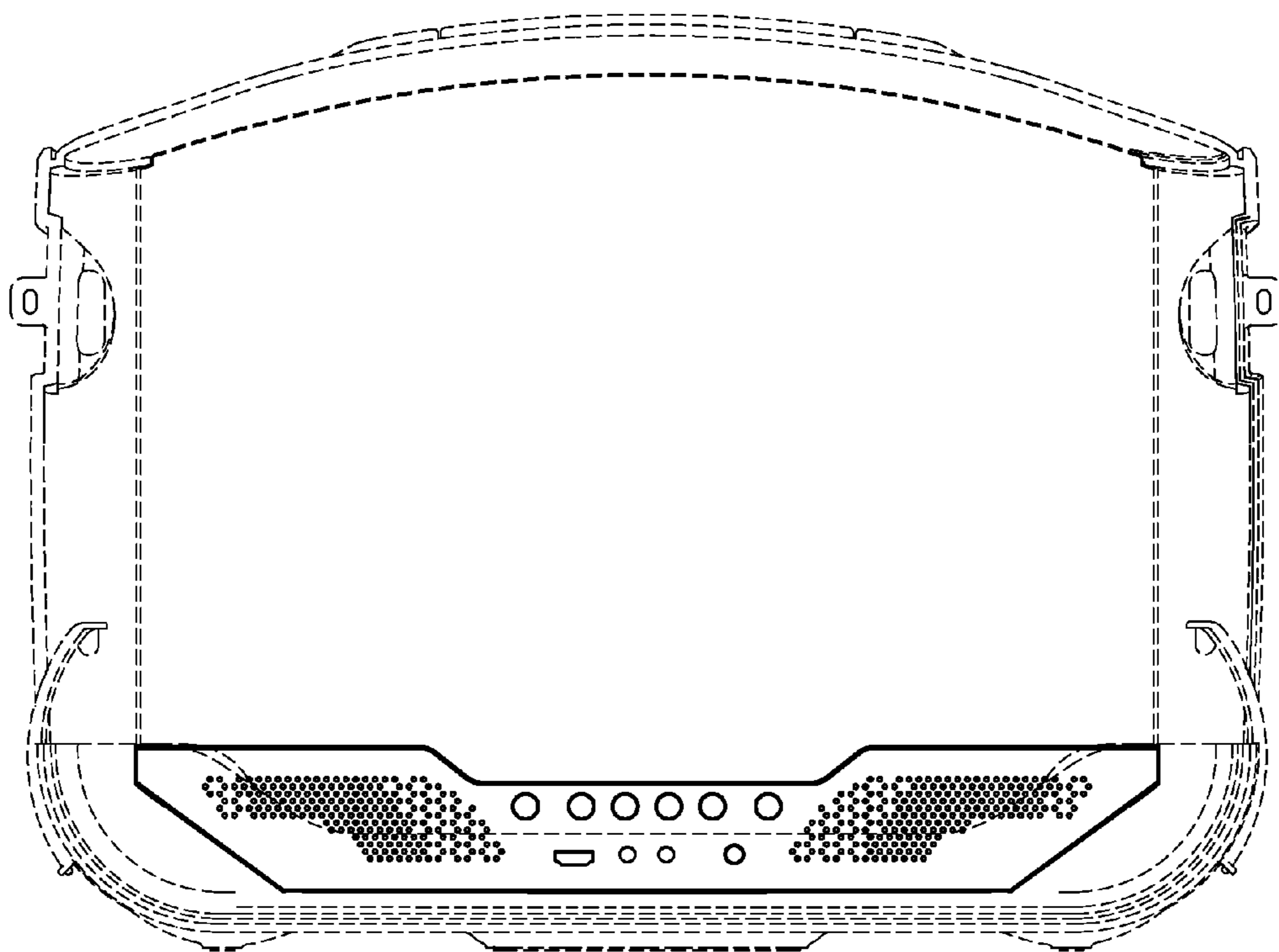


Fig. 2

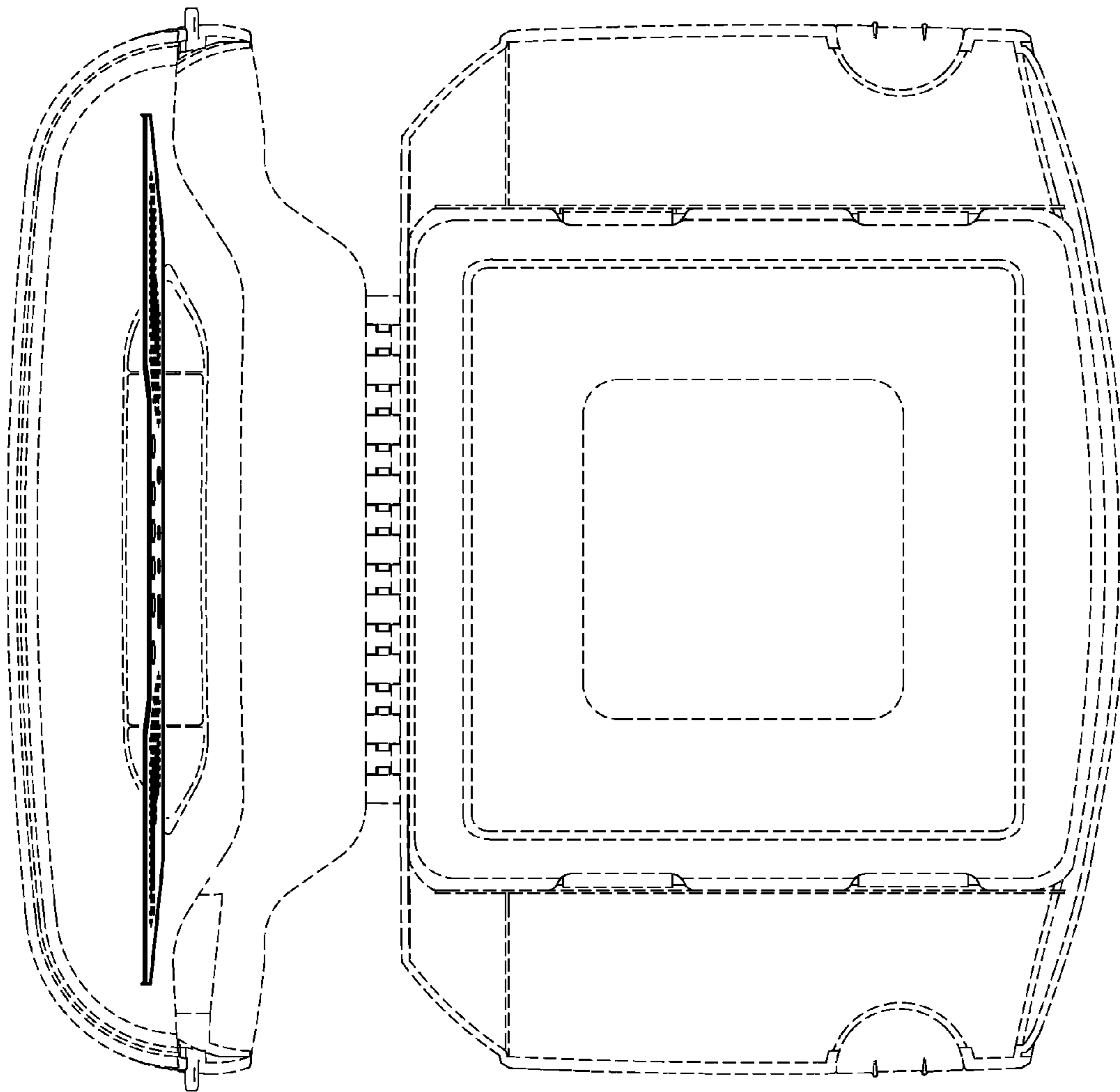


Fig. 3

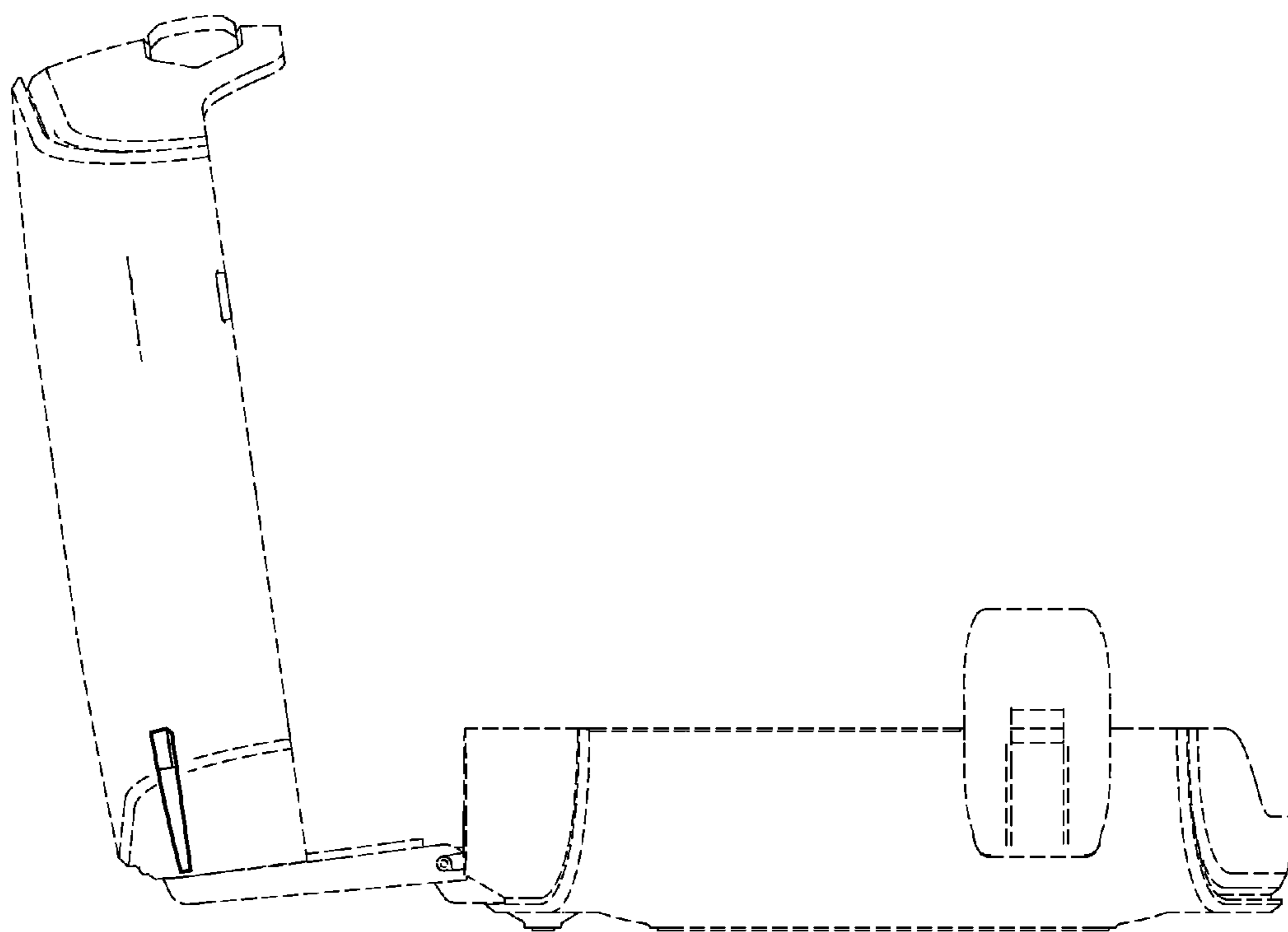


Fig. 4



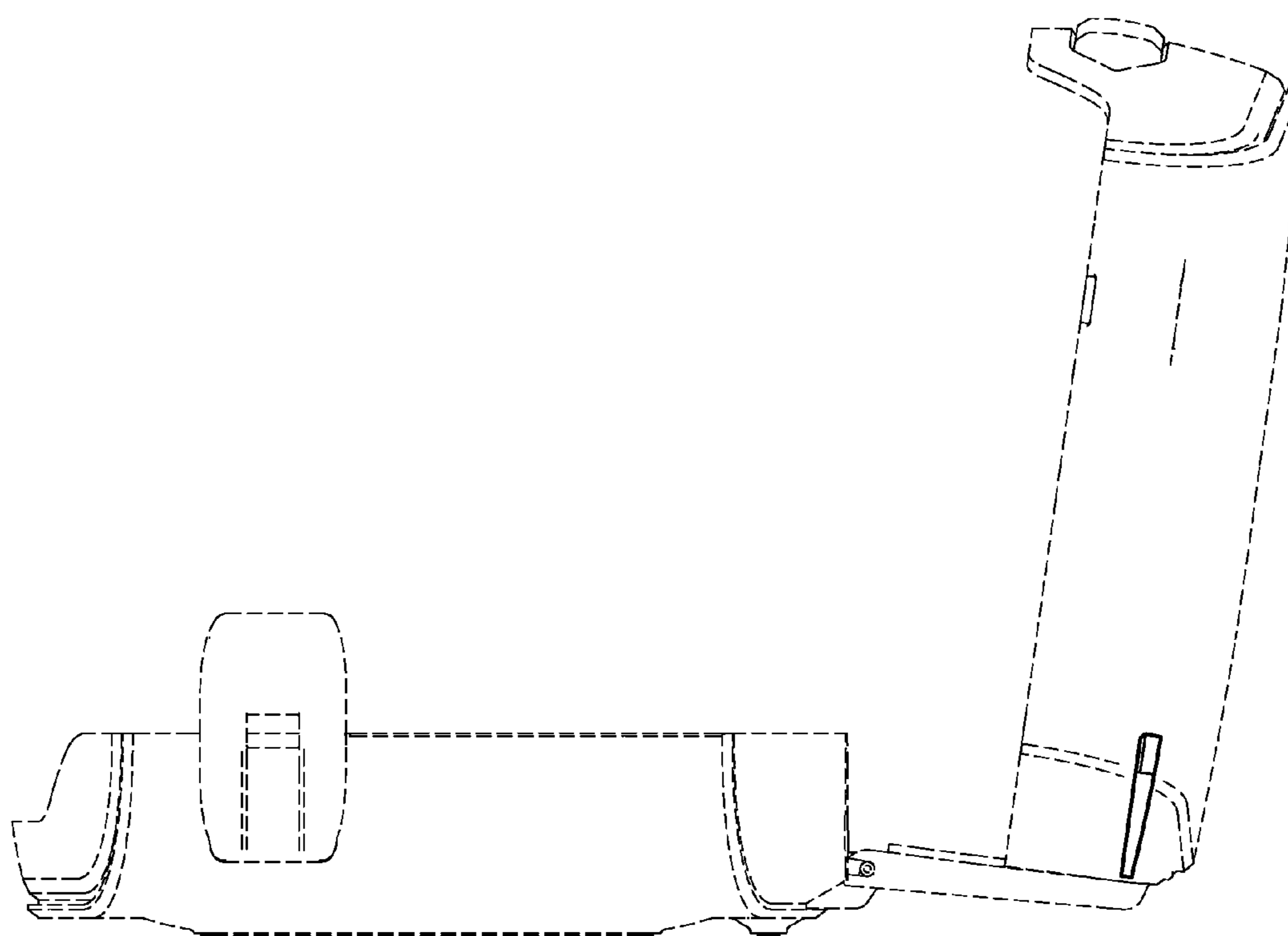


Fig. 5

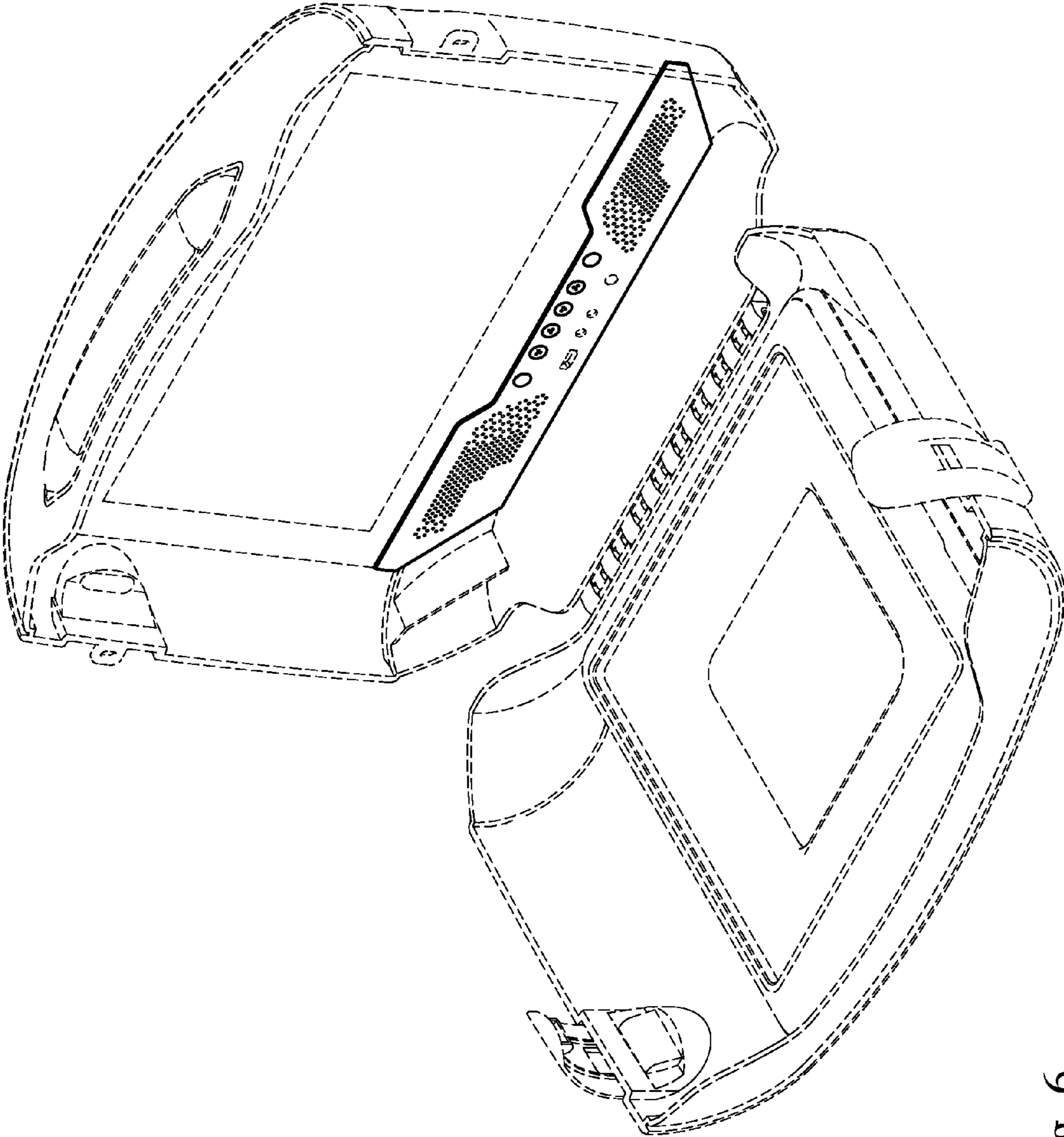


Fig. 6

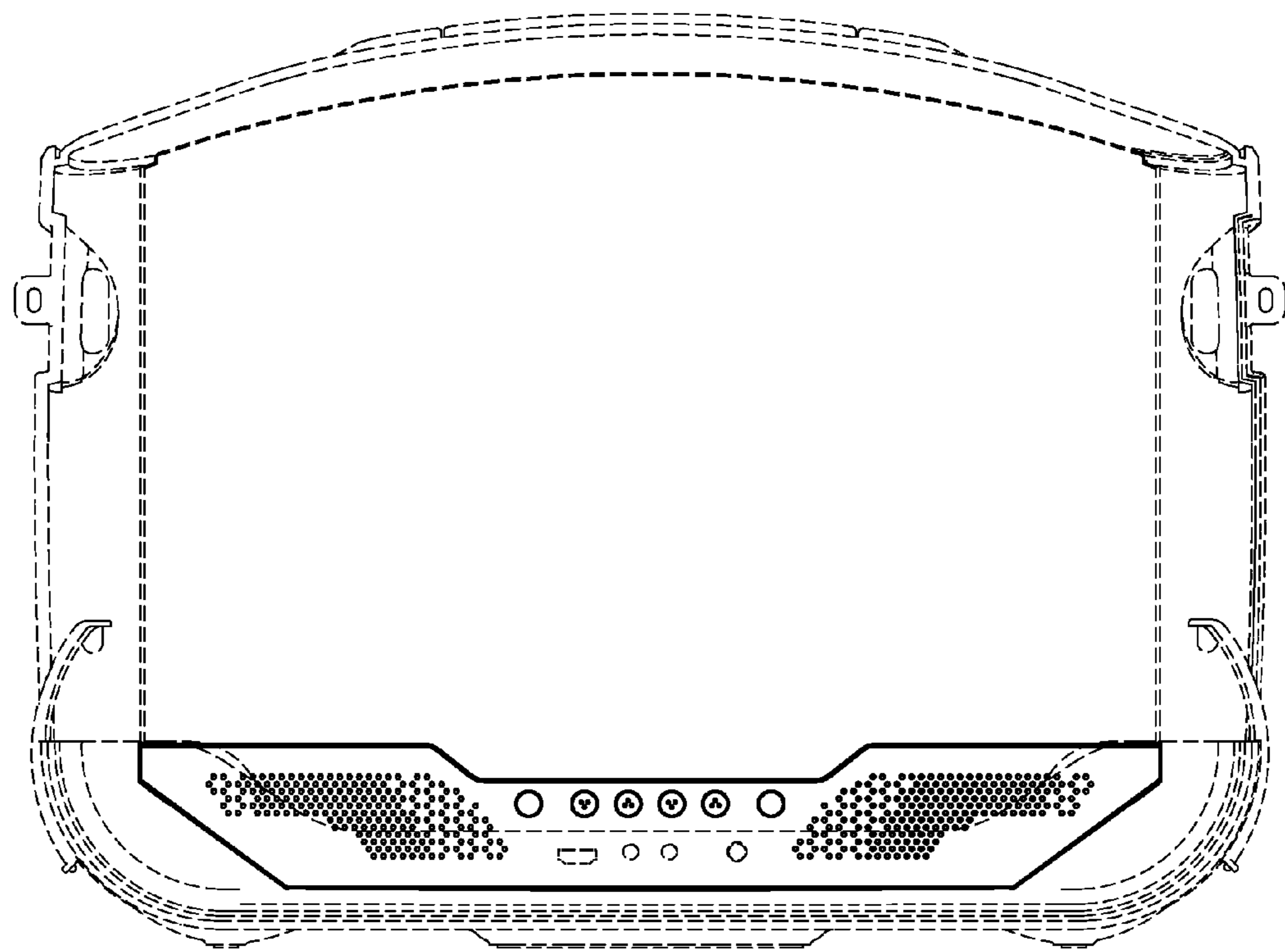


Fig. 7



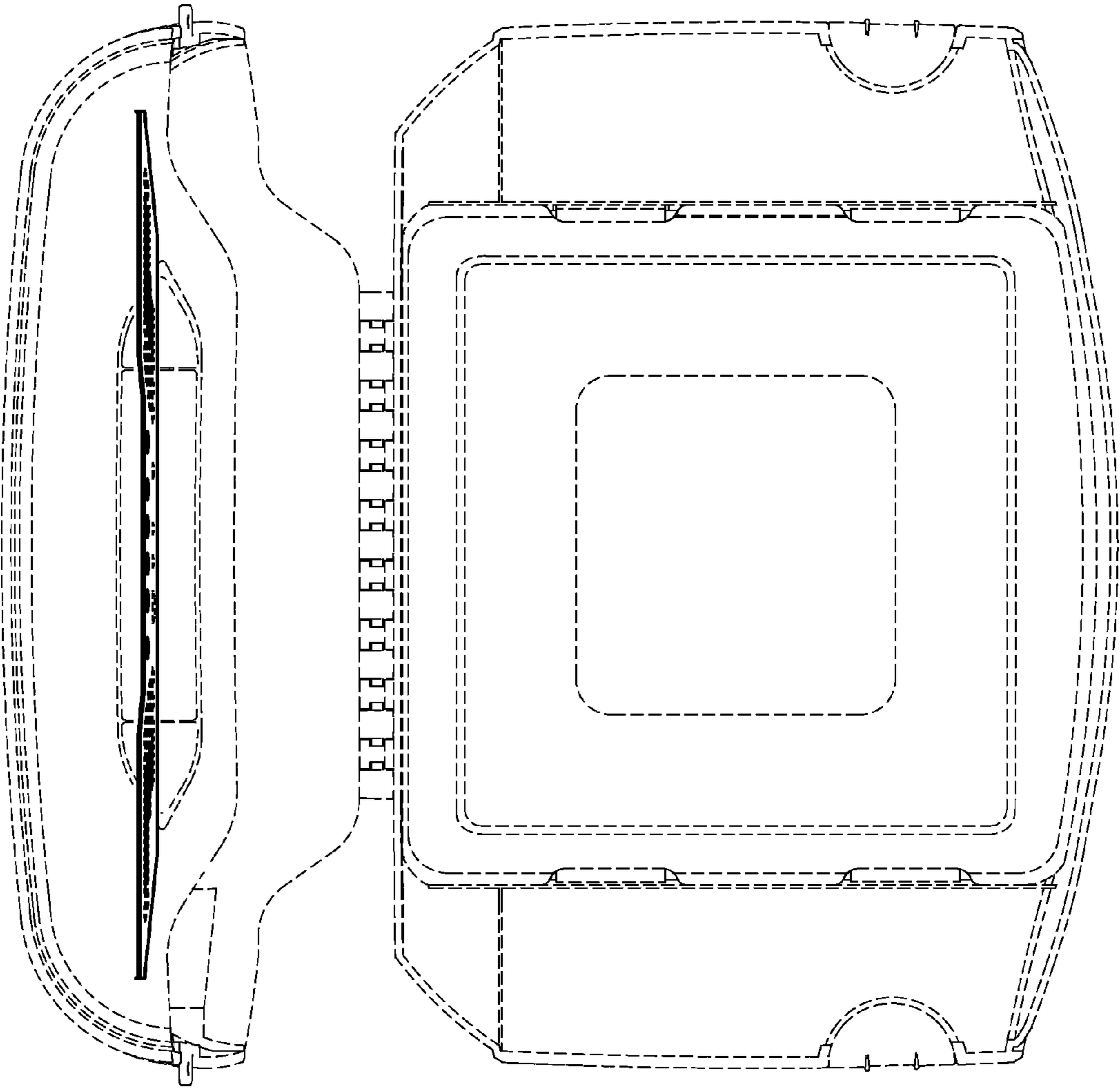


Fig. 8

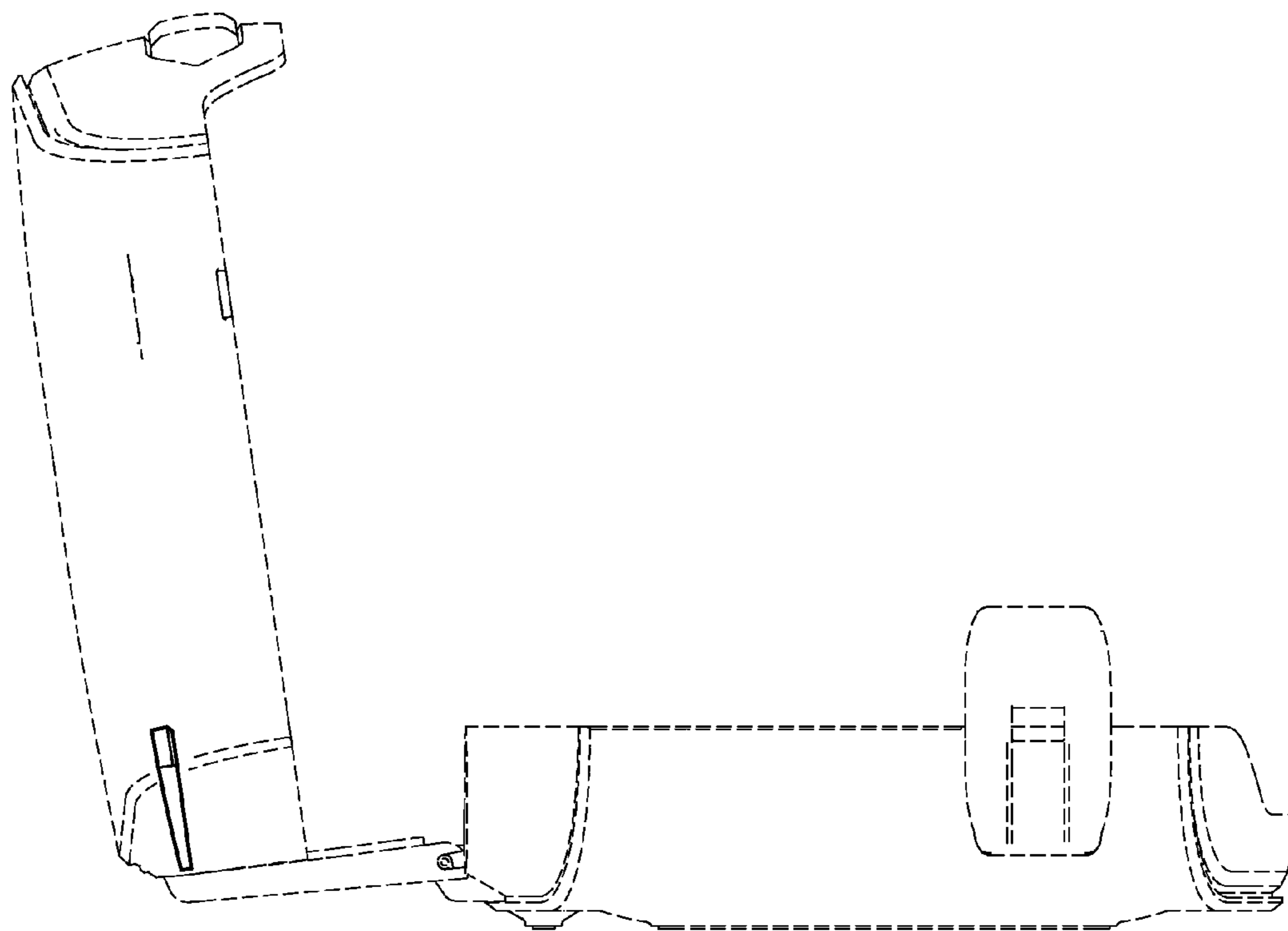


Fig. 9

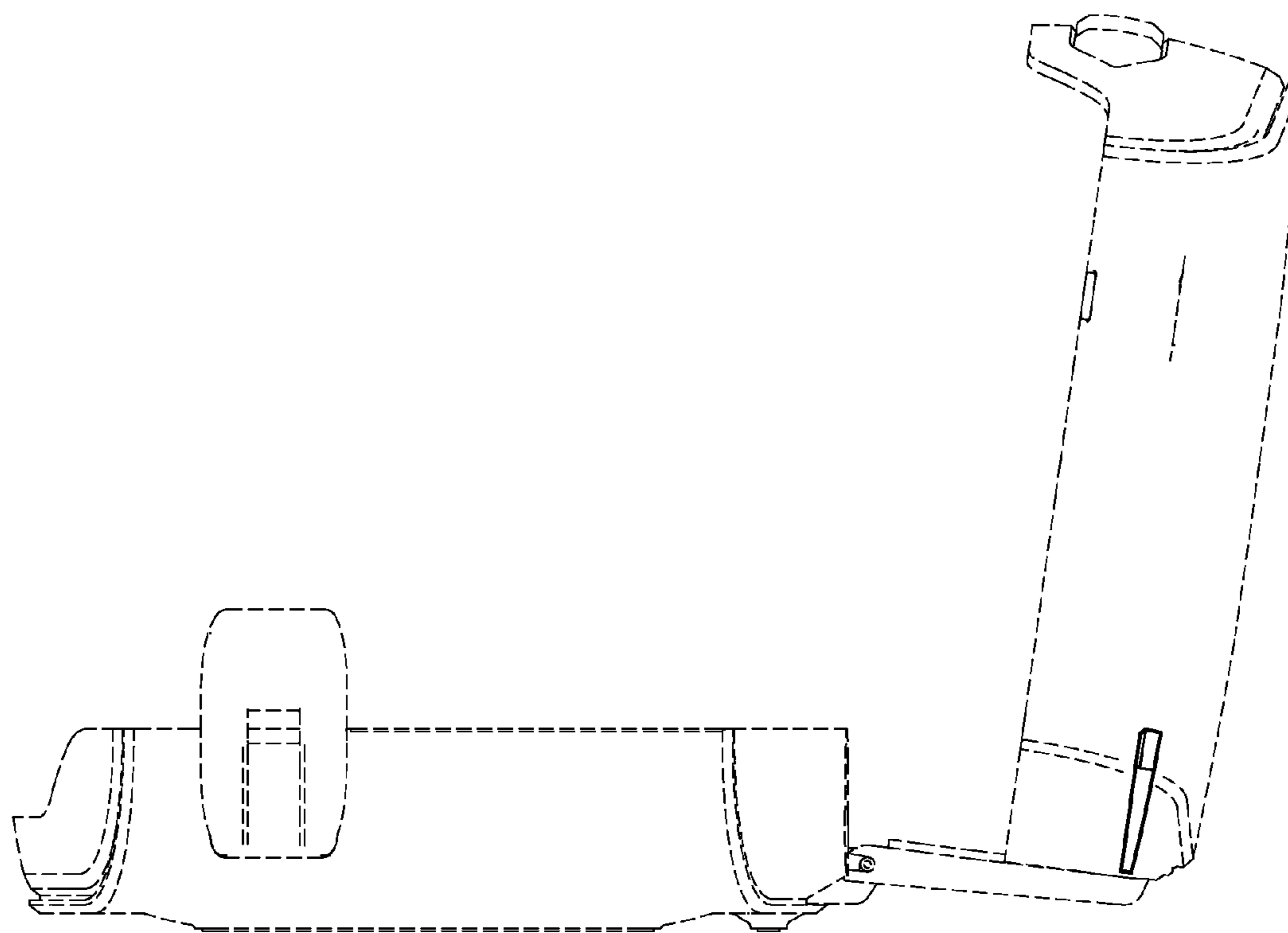


Fig. 10