



US00D669539S

(12) **United States Design Patent**
Ohashi et al.

(10) **Patent No.:** **US D669,539 S**

(45) **Date of Patent:** **** Oct. 23, 2012**

(54) **COATING FILM TRANSFER TOOL**

(75) Inventors: **Takashi Ohashi**, Osaka (JP); **Hideto Shima**, Kyoto (JP)

(73) Assignee: **Kokuyo Co., Ltd.**, Osaka (JP)

(**) Term: **14 Years**

(21) Appl. No.: **29/387,210**

(22) Filed: **Mar. 10, 2011**

(30) **Foreign Application Priority Data**

Sep. 15, 2010 (JP) 2010-022195

(51) **LOC (9) Cl.** **19-02**

(52) **U.S. Cl.** **D19/69**

(58) **Field of Classification Search** D19/36,
D19/70, 69, 68; D13/133, 146; 242/588.6,
242/588.3, 588.2; 225/77, 6, 56, 69, 26,
225/25, 19, 11; 206/411; 156/577, 527,
156/523

See application file for complete search history.

(56) **References Cited**

U.S. PATENT DOCUMENTS

D355,934 S * 2/1995 Oga et al. D19/69
D446,246 S * 8/2001 Kimura D19/69
D475,745 S * 6/2003 Ono D19/69
6,601,632 B2 * 8/2003 Bouveresse et al. 156/577

D539,351 S * 3/2007 Mitsui et al. D19/69
D594,904 S * 6/2009 Kai et al. D19/69
D598,498 S * 8/2009 Kinugasa et al. D19/69
7,900,679 B2 * 3/2011 Kinugasa et al. 156/577
D645,513 S * 9/2011 Mitsui et al. D19/69

FOREIGN PATENT DOCUMENTS

JP 5-8363 S 1/1997
JP 5-8364 S 1/1997

* cited by examiner

Primary Examiner — Austin Murphy

(74) *Attorney, Agent, or Firm* — Dennis R. Haszko

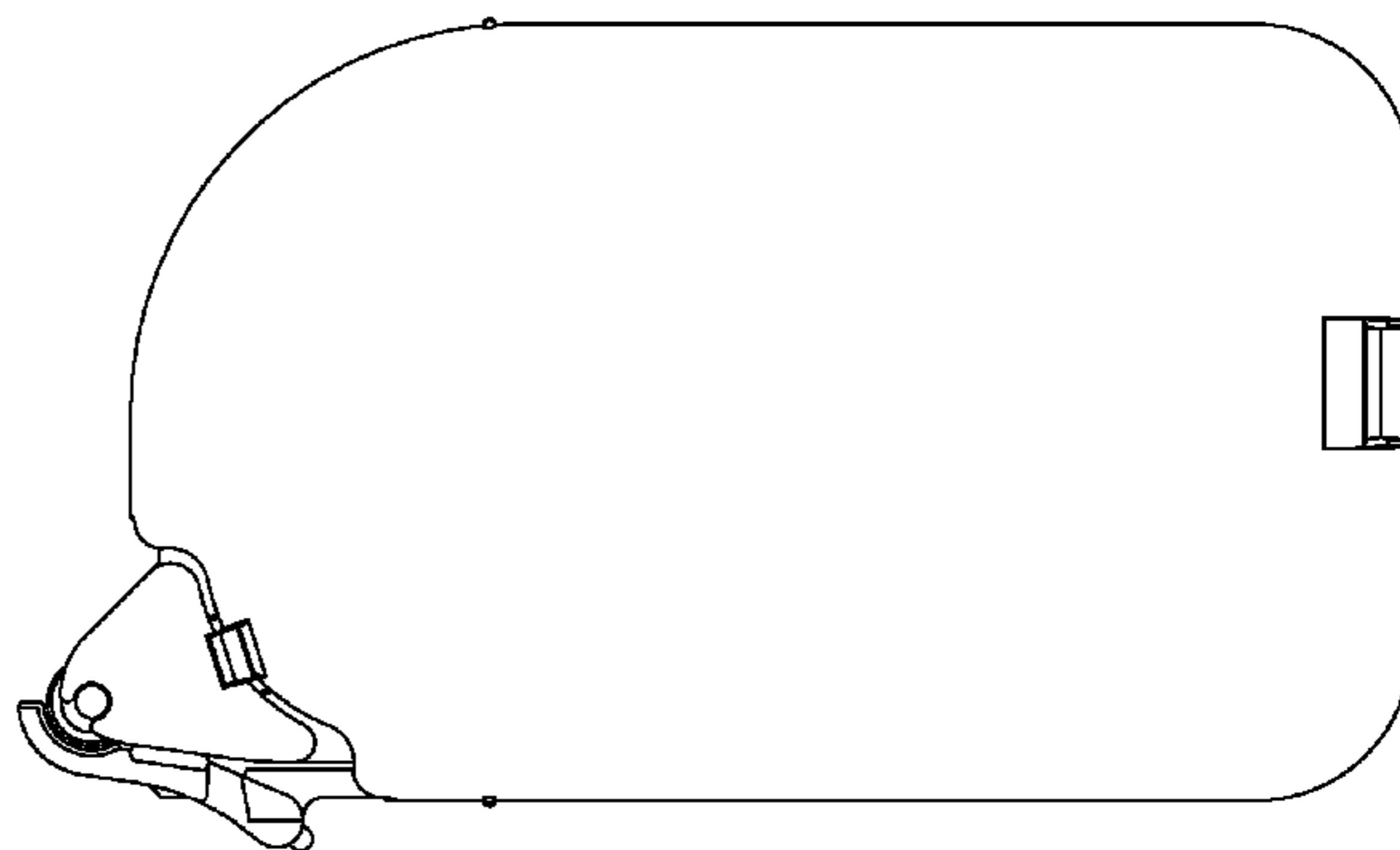
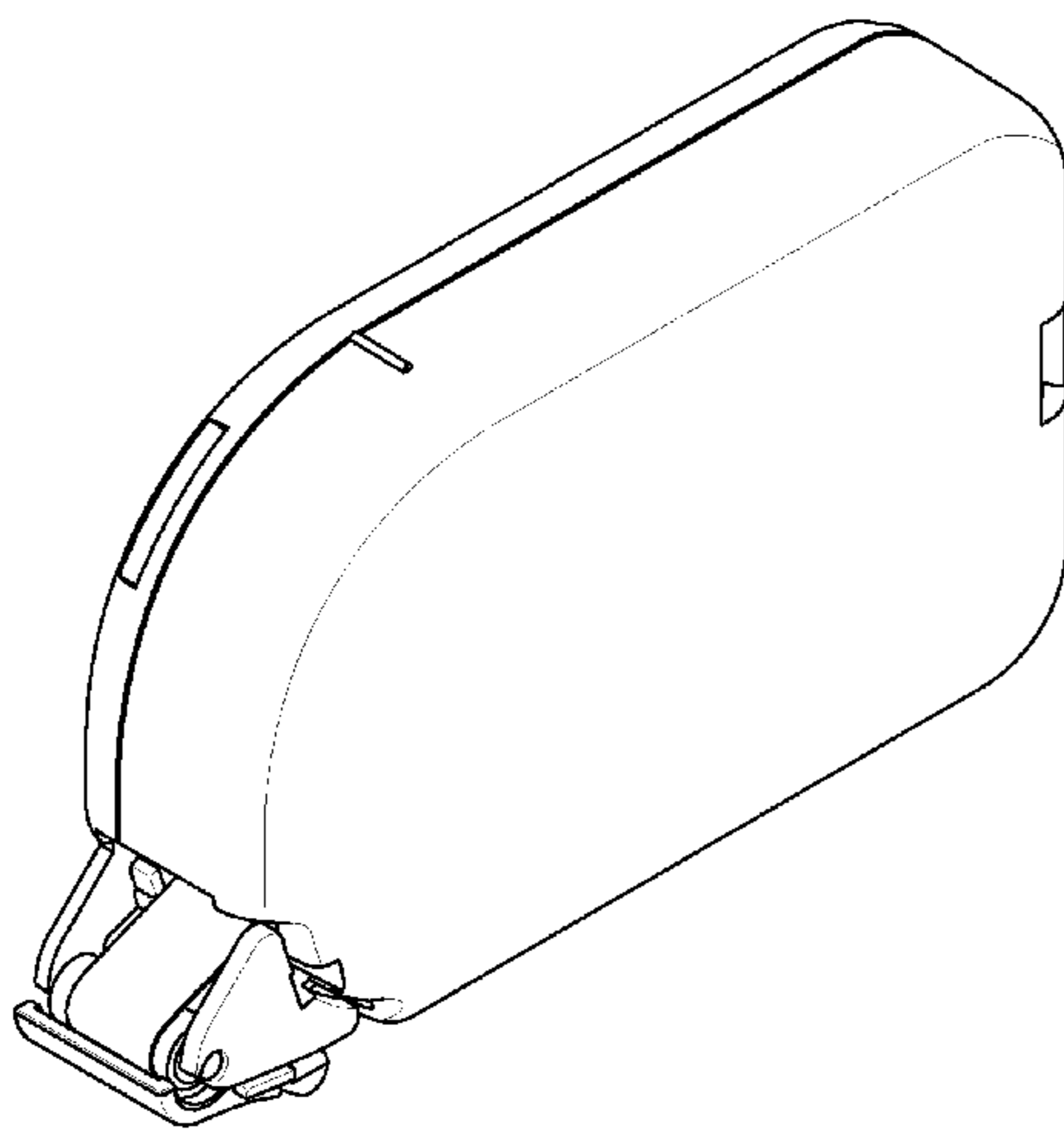
(57) **CLAIM**

The ornamental design for a coating film transfer tool, as shown and described.

DESCRIPTION

FIG. 1 is perspective view of the coating film transfer tool; FIG. 2 is a front view thereof; FIG. 3 is a rear view thereof; FIG. 4 is a top view thereof; FIG. 5 is a bottom view thereof; FIG. 6 is a right side view thereof; FIG. 7 is a left side view thereof; and, FIG. 8 is a front view thereof showing the head cover in an open position.

1 Claim, 4 Drawing Sheets



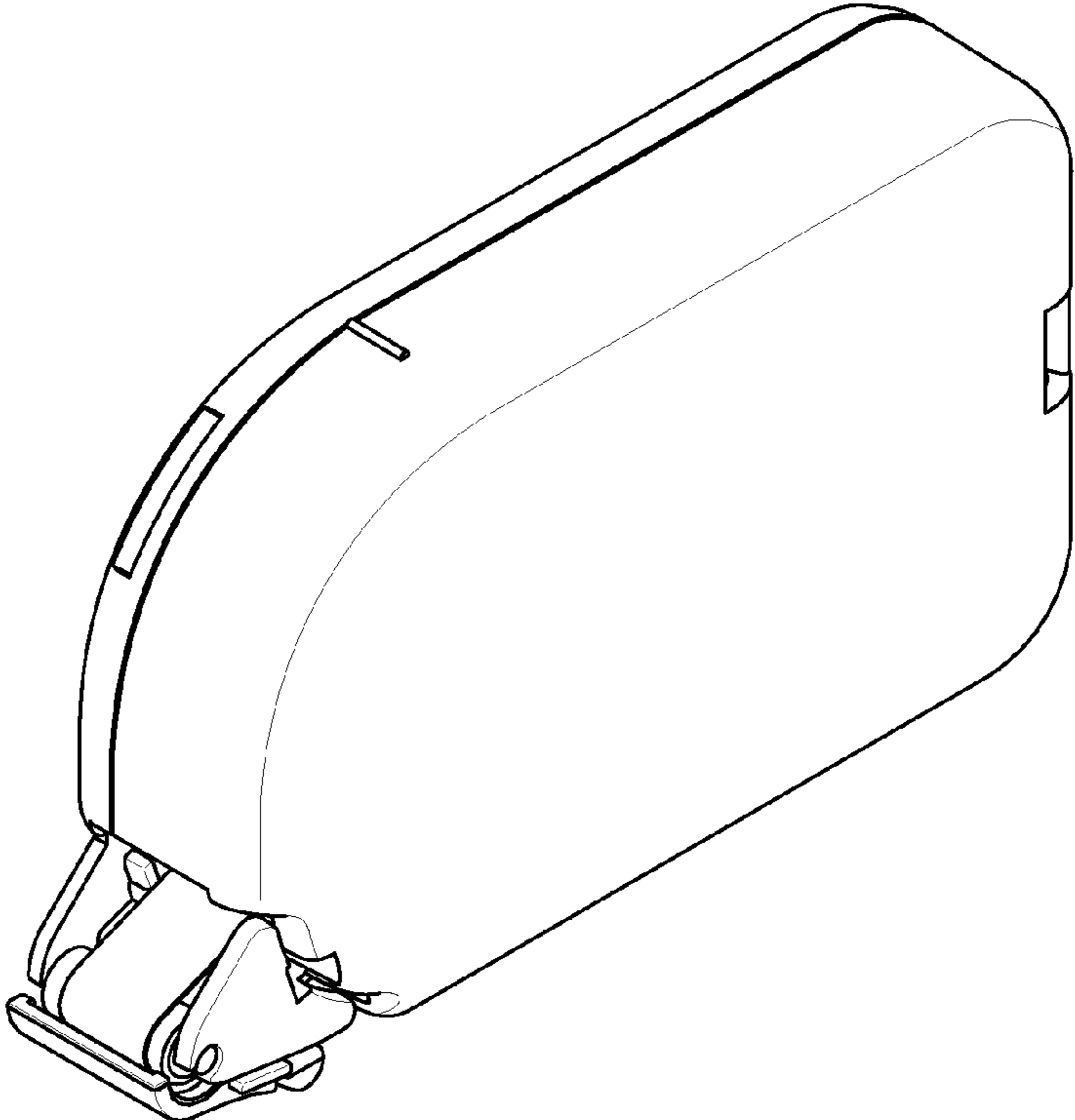


FIG. 1

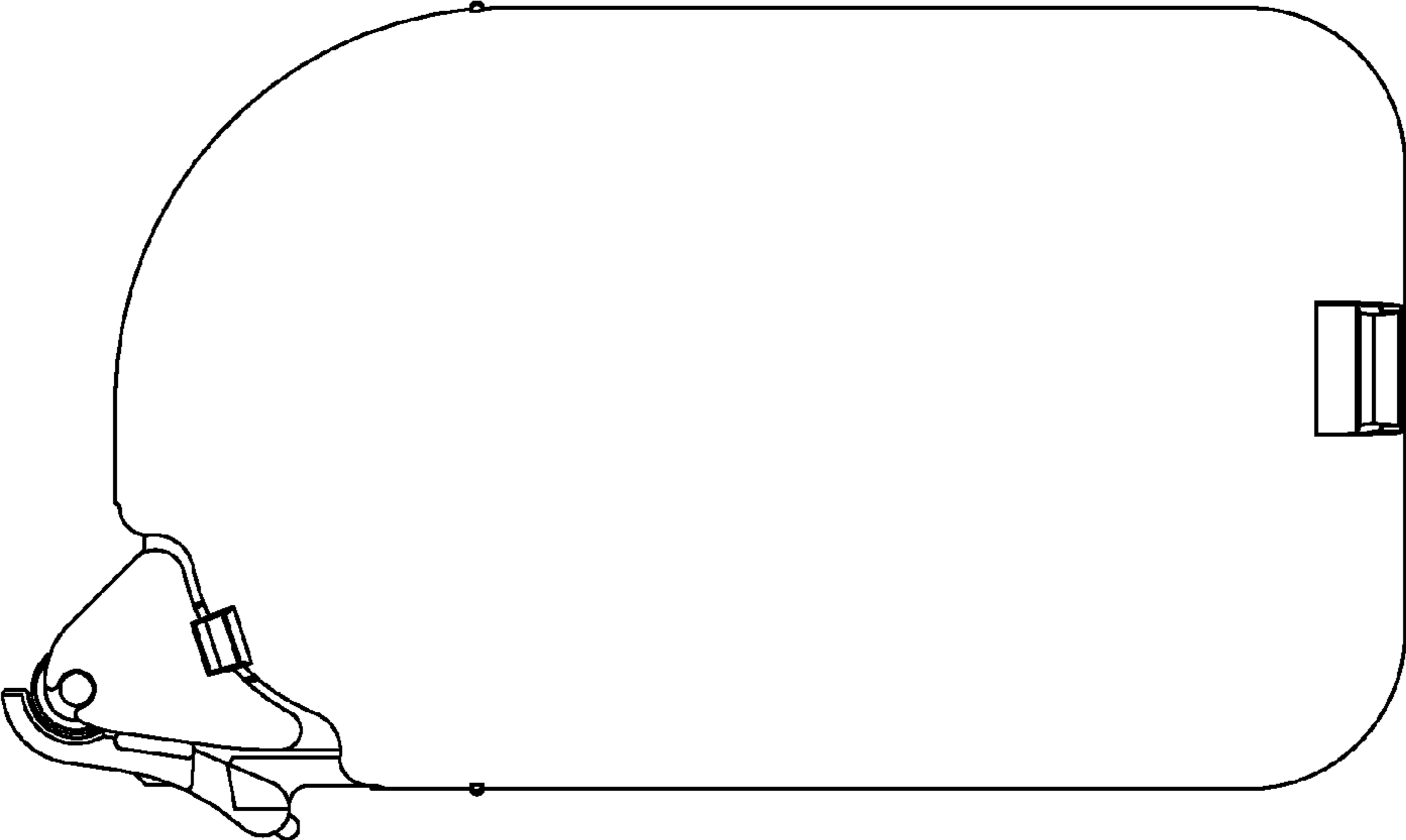


FIG. 2

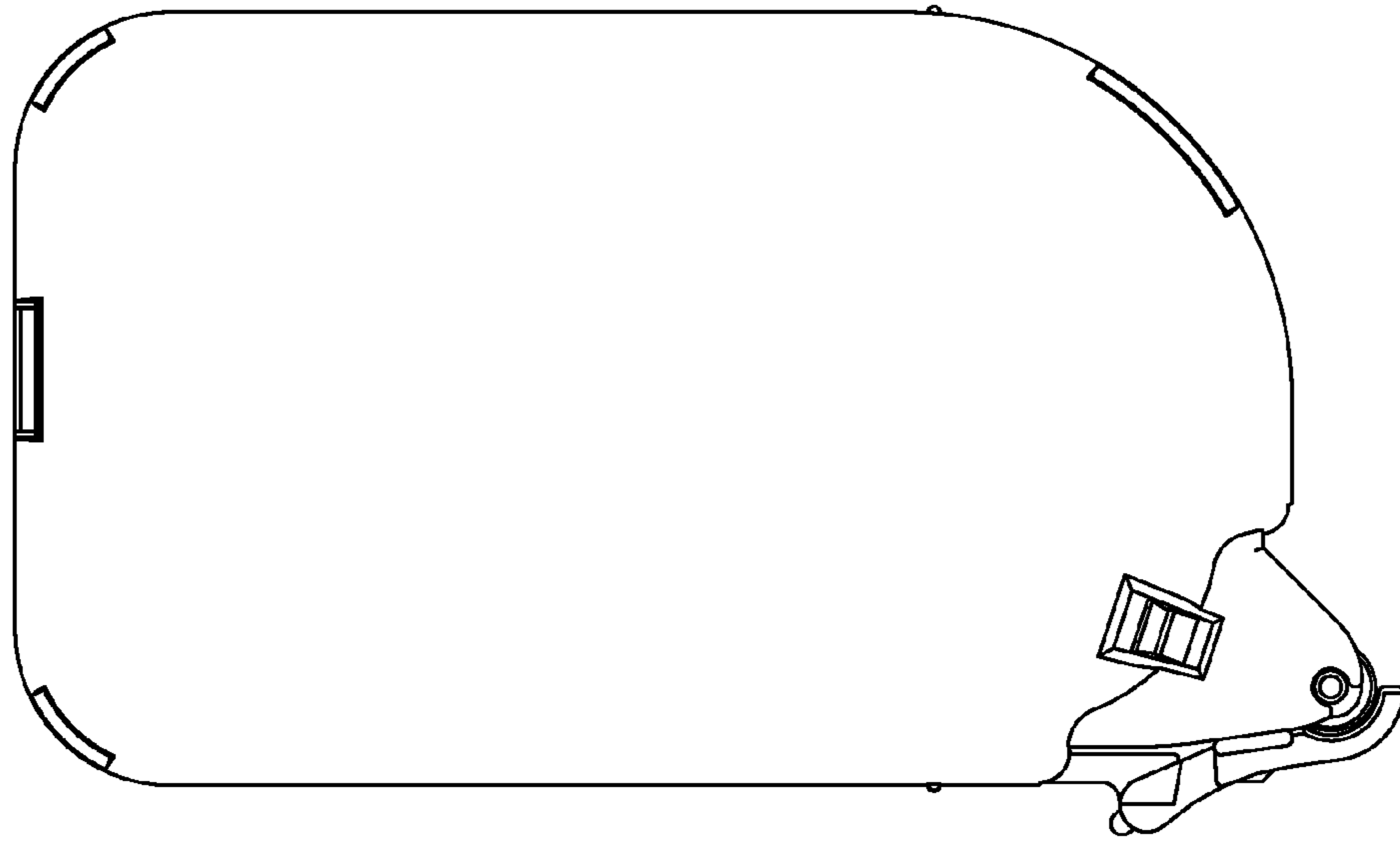


FIG.3

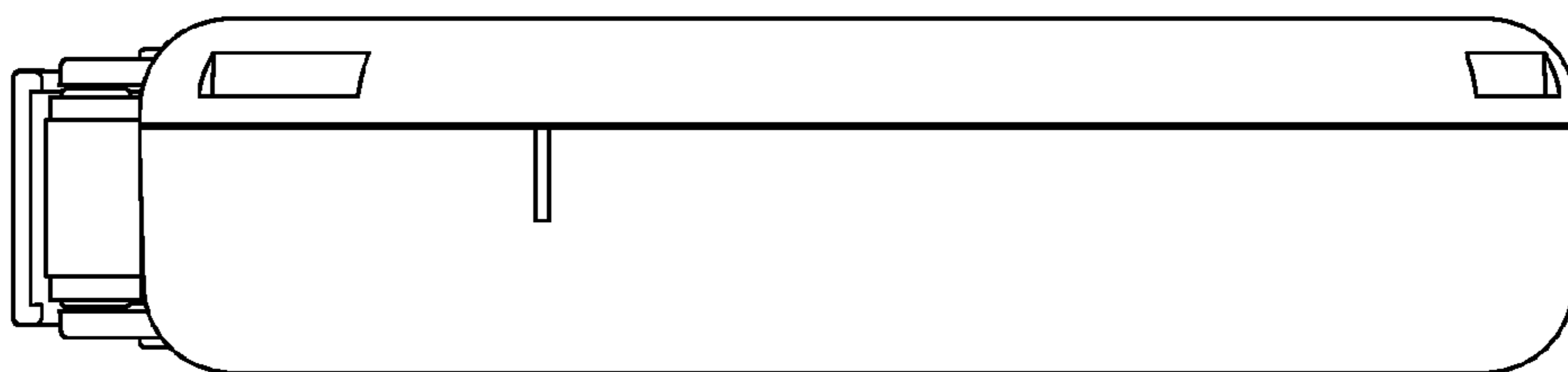


FIG.4



FIG.5

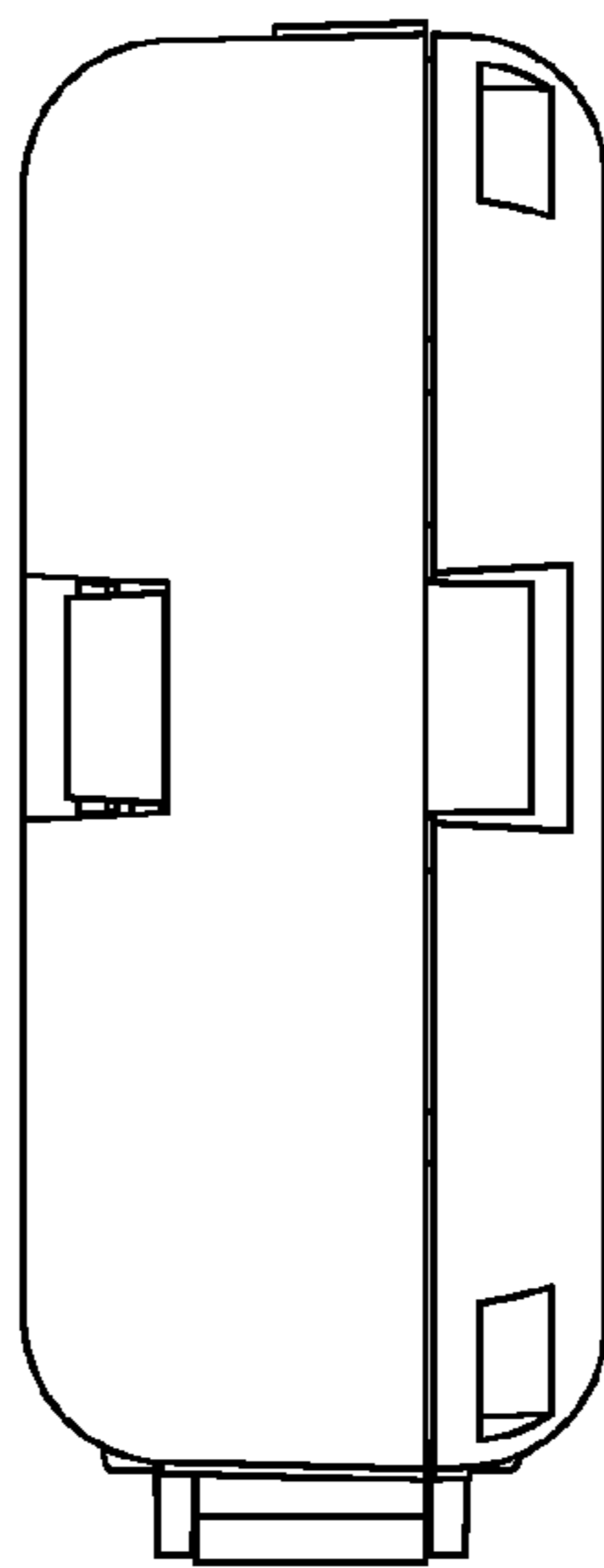


FIG.6

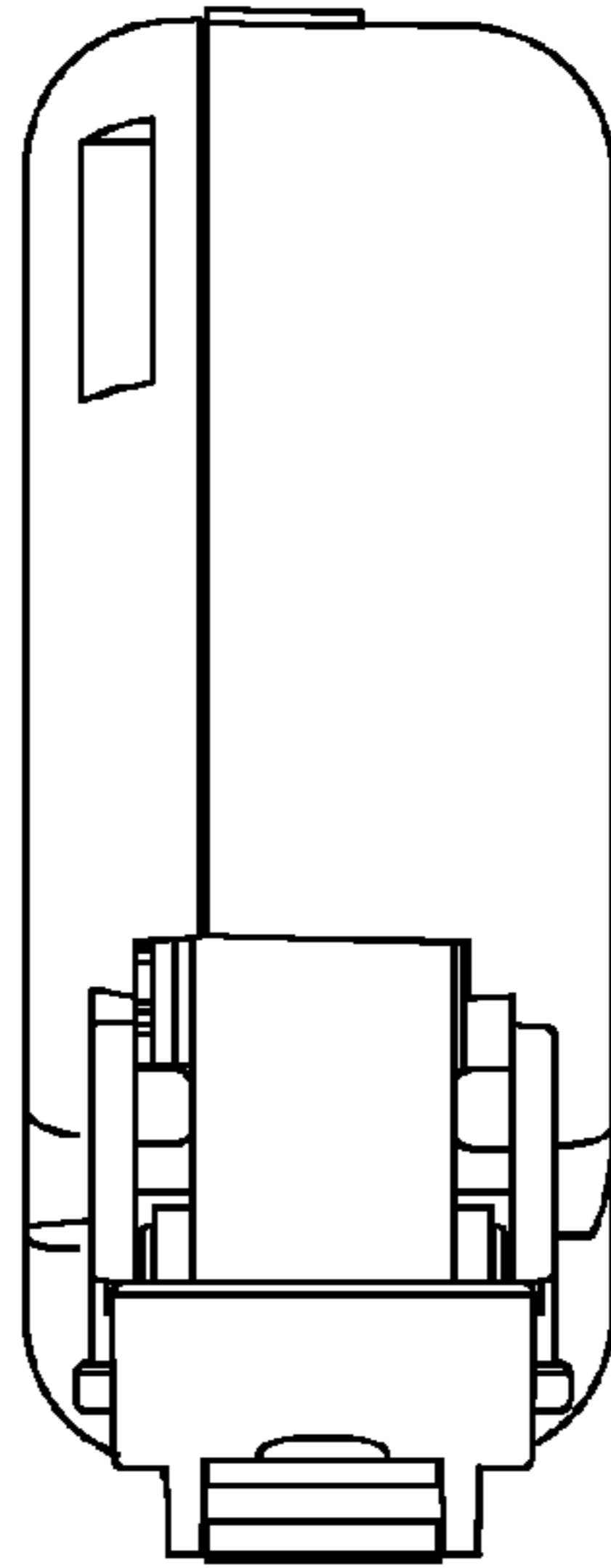


FIG. 7

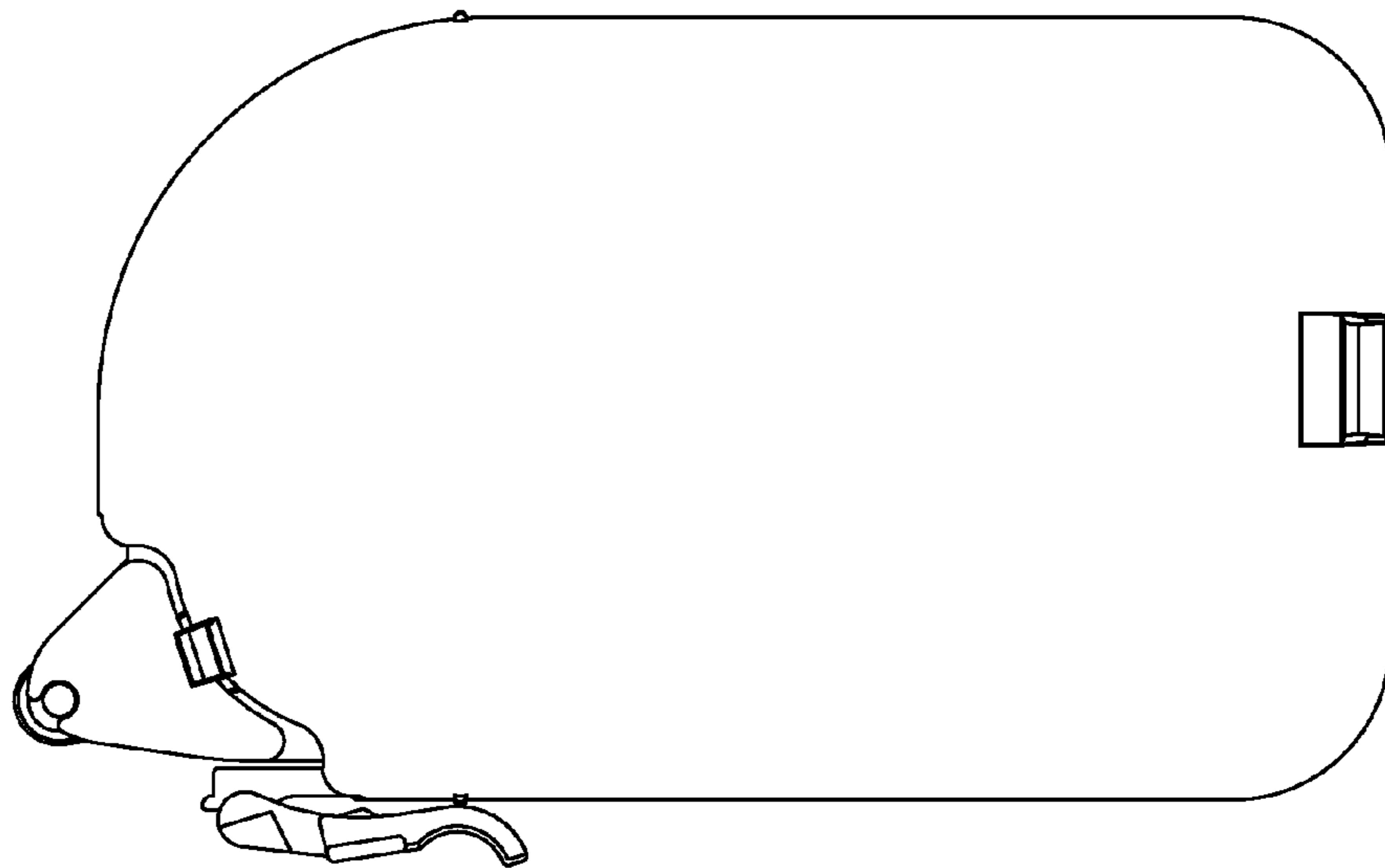


FIG. 8