



US00D669537S

(12) **United States Design Patent**
Iacchetti

(10) **Patent No.:** **US D669,537 S**

(45) **Date of Patent:** **** Oct. 23, 2012**

(54) **PEN OR PENCIL CAP**

(75) Inventor: **Giulio Iacchetti**, Milan (IT)

(73) Assignee: **Moleskine S.R.L.**, Milano Mi (IT)

(**) Term: **14 Years**

(21) Appl. No.: **29/398,690**

(22) Filed: **Aug. 3, 2011**

(30) **Foreign Application Priority Data**

Feb. 8, 2011 (EP) 001817750

(51) **LOC (9) Cl.** **19-06**

(52) **U.S. Cl.** **D19/57**

(58) **Field of Classification Search** D19/35,
D19/36, 41-51, 54-58; D14/411; 24/11 F,
24/11 P, 11 R; 401/52, 99-109, 192, 195,
401/196

See application file for complete search history.

(56) **References Cited**

U.S. PATENT DOCUMENTS

- D295,537 S * 5/1988 Davidson et al. D19/43
- D335,141 S * 4/1993 Katami et al. D19/57
- D376,817 S * 12/1996 Boix Gacia D19/51
- D415,199 S * 10/1999 Pellissa Beneyto D19/51

- D489,090 S * 4/2004 Buechler D19/51
- D503,741 S * 4/2005 Pellissa Beneyto D19/51
- D545,366 S * 6/2007 Ternovits D19/51
- D548,789 S * 8/2007 Ternovits D19/51
- D566,175 S * 4/2008 Qiu et al. D19/44
- D598,496 S * 8/2009 Ikeda D19/45
- D622,770 S * 8/2010 Shi D19/51

* cited by examiner

Primary Examiner — Elizabeth Albert

(74) *Attorney, Agent, or Firm* — Lucas & Mercanti, LLP

(57) **CLAIM**

The ornamental design for a pen or pencil cap, as shown and described.

DESCRIPTION

FIG. 1 is a side view of the pen or pencil cap, the opposite side view being a mirror image;

FIG. 2 is a front view of the pen or pencil cap of FIG. 1

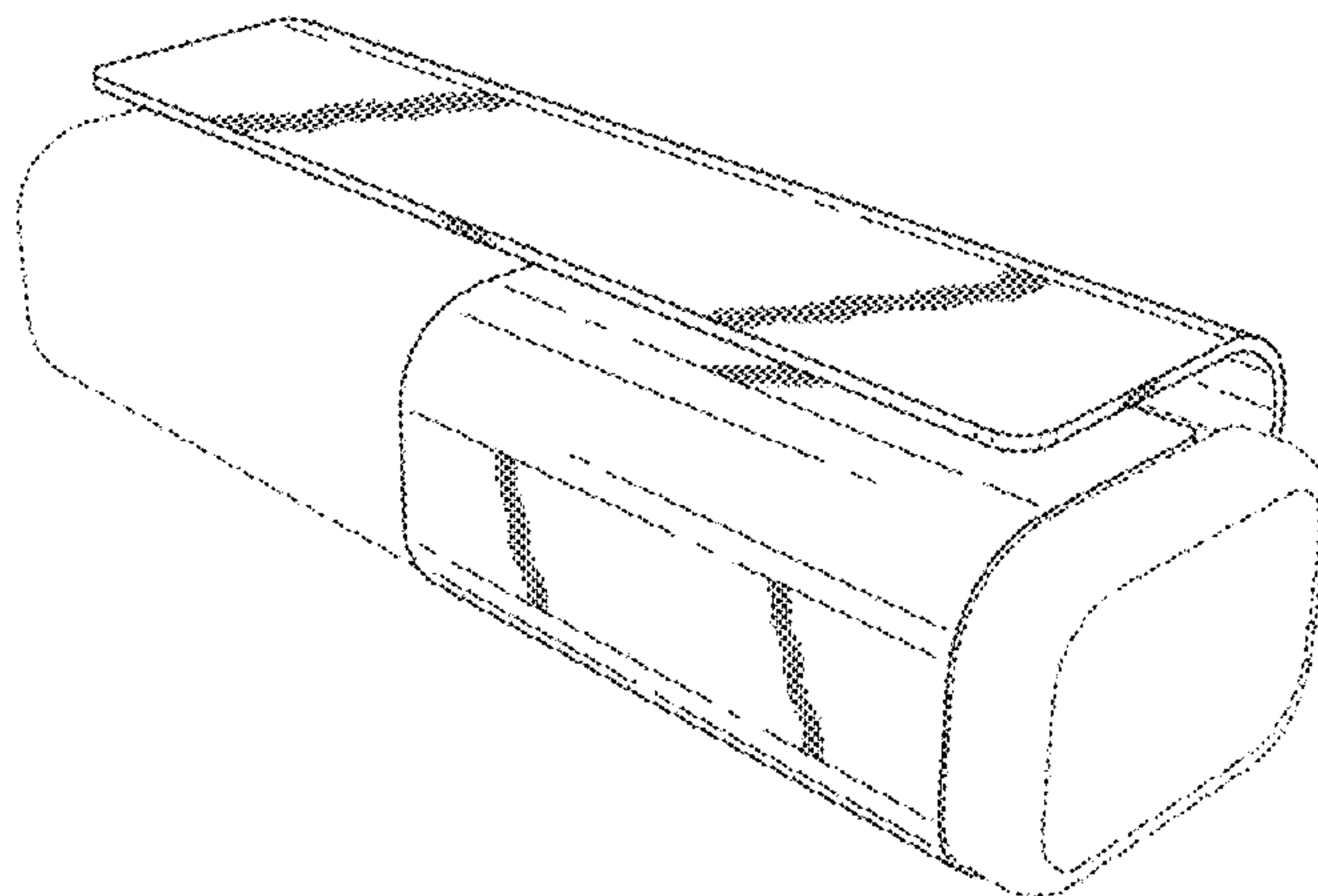
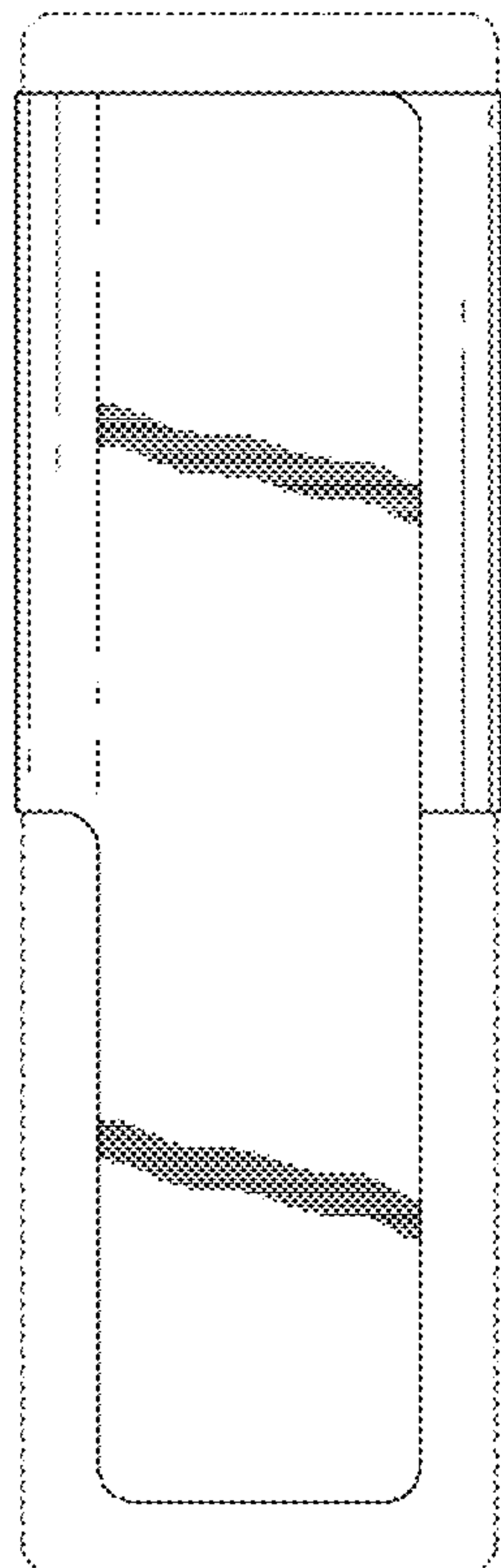
FIG. 3 is a bottom view of the pen or pencil cap of FIG. 1;

FIG. 4 is a first perspective side view of the pen or pencil cap of FIG. 1; and,

FIG. 5 is a second perspective side view of the pen or pencil cap of FIG. 1.

The broken lines shown in FIGS. through 5 are included for the purpose of showing portions of the pen or pencil cap that form no part of the claimed design.

1 Claim, 5 Drawing Sheets



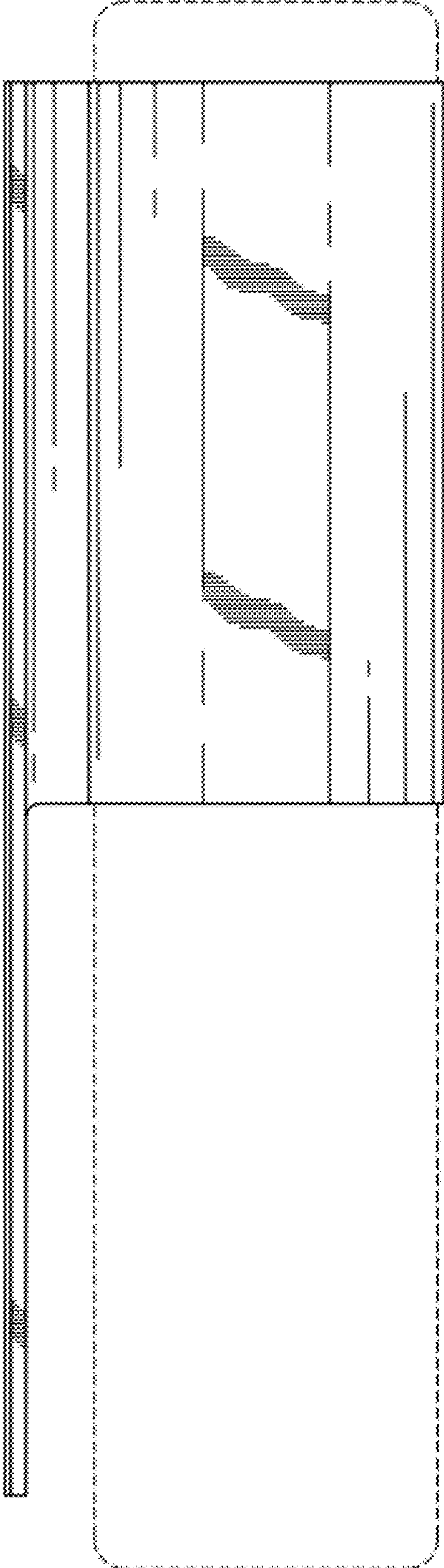


FIG. 1

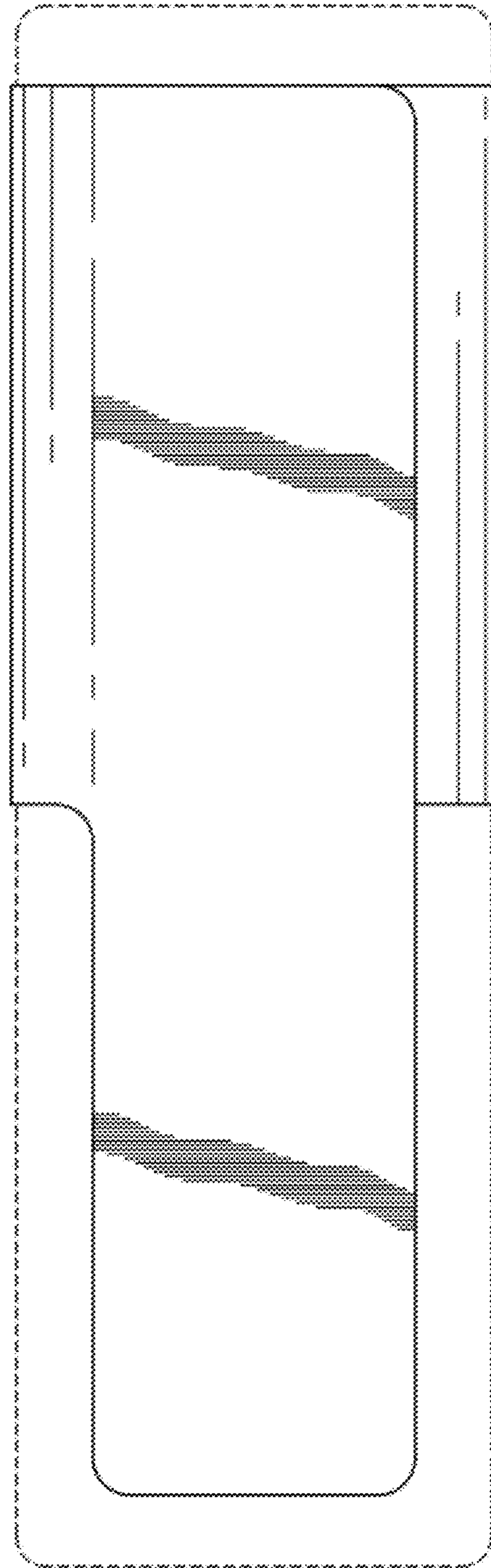


FIG. 2

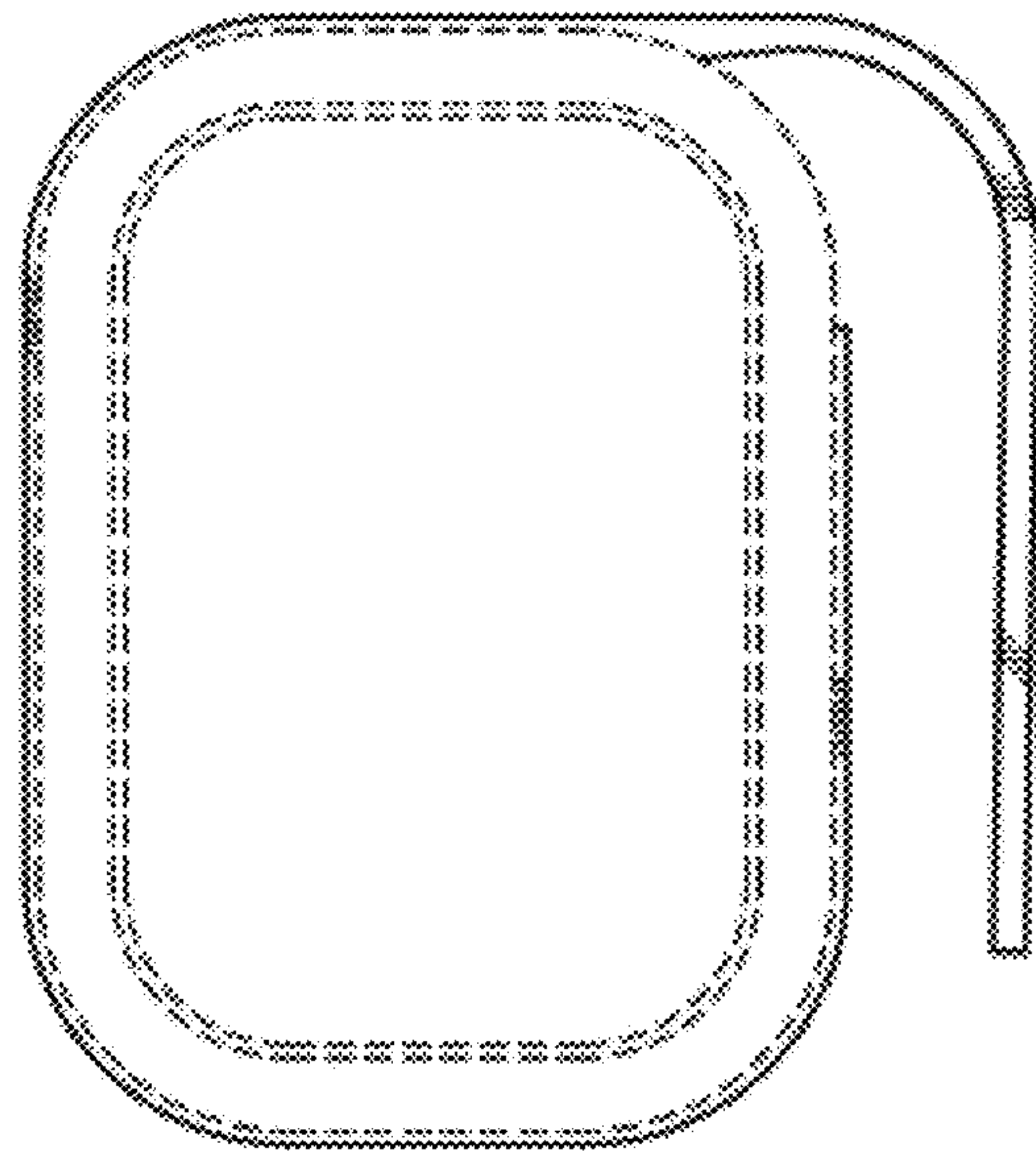


FIG. 3

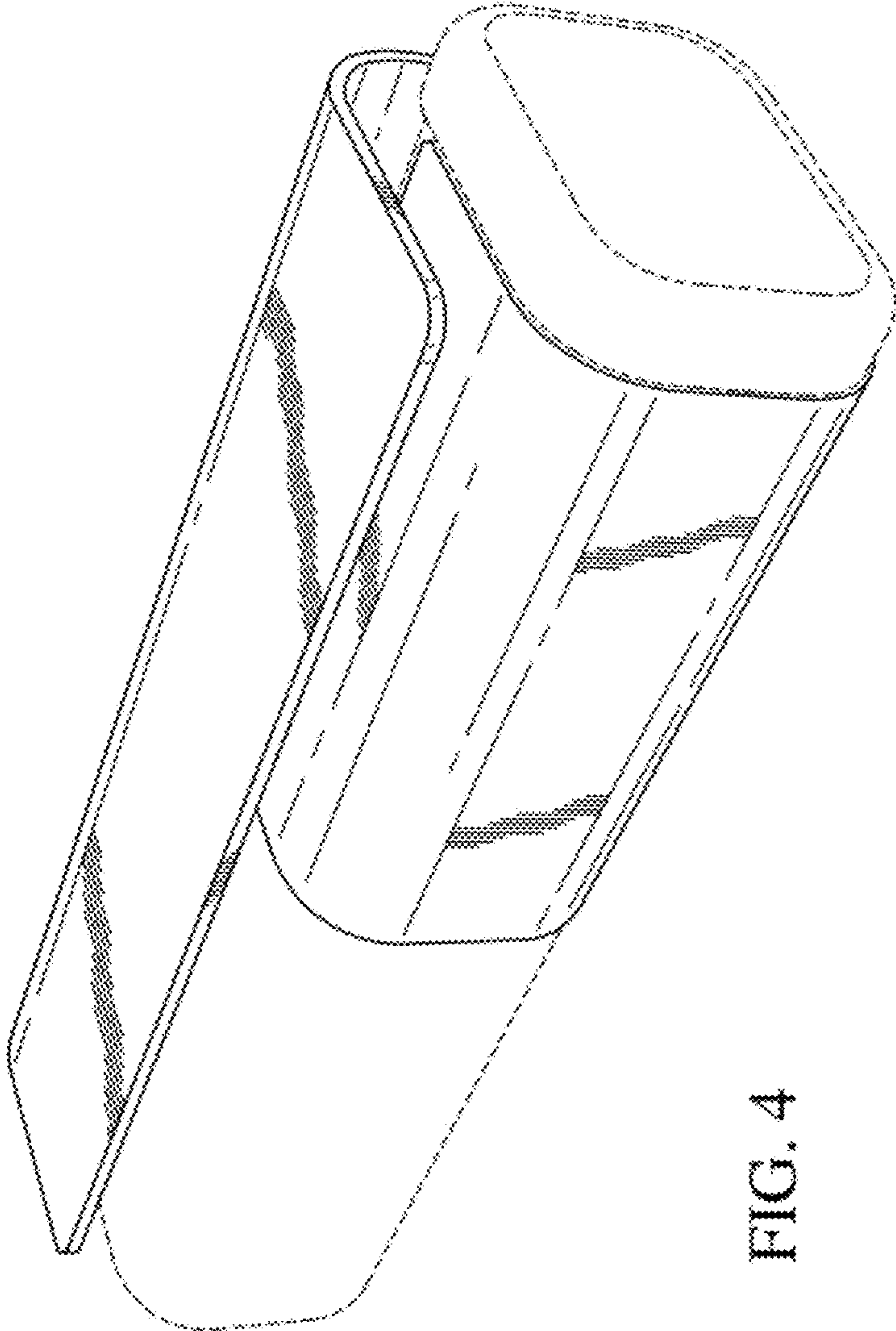


FIG. 4

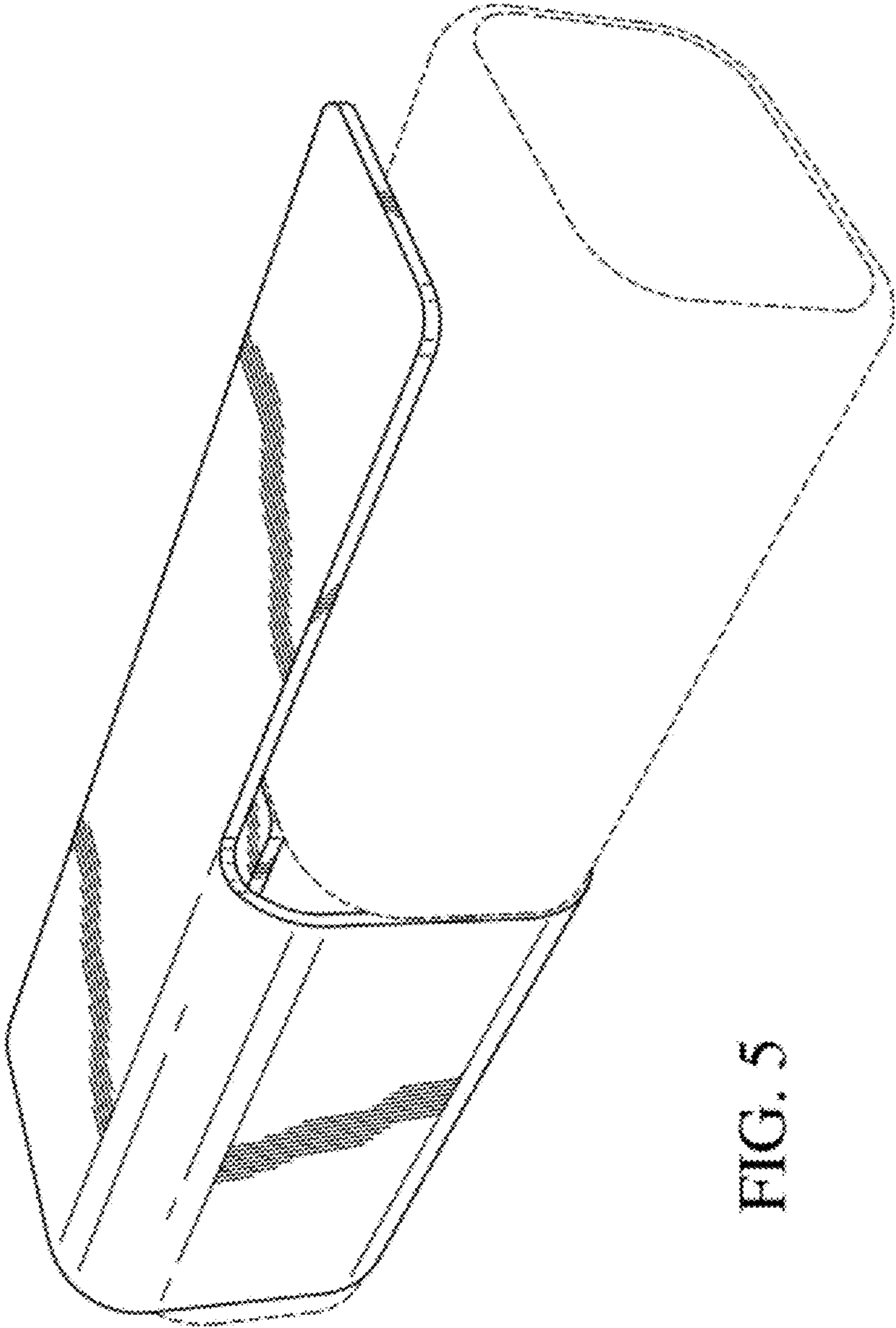


FIG. 5