

US00D669536S

(12) **United States Design Patent**  
**Hung**

(10) **Patent No.:** **US D669,536 S**

(45) **Date of Patent:** **\*\* Oct. 23, 2012**

(54) **NIB FOR MARKER**

(75) Inventor: **Peter M. H. Hung**, Kowloon (HK)

(73) Assignee: **Fulon Development Limited**, Kowloon (HK)

(\*\*) Term: **14 Years**

(21) Appl. No.: **29/399,047**

(22) Filed: **Aug. 9, 2011**

(51) **LOC (9) Cl.** ..... **19-06**

(52) **U.S. Cl.** ..... **D19/55**

(58) **Field of Classification Search** ..... D9/723,  
D9/725, 727; D14/411; D19/35, 36, 41-51,  
D19/54-58; D28/7, 76, 85; 24/11 F, 11 P,  
24/11 R; 401/52, 99-109, 192, 195, 196  
See application file for complete search history.

(56) **References Cited**

U.S. PATENT DOCUMENTS

1,942,283	A *	1/1934	Hale	.....	15/105.51
2,219,909	A *	10/1940	Schlicker	.....	132/317
D262,768	S *	1/1982	Bovet	.....	D7/591
D276,479	S *	11/1984	Mori	.....	D3/208

D280,139	S *	8/1985	Bakic	.....	D28/85
D394,210	S *	5/1998	Fiore	.....	D9/529
D486,861	S *	2/2004	Gokey et al.	.....	D19/55
7,367,280	B1 *	5/2008	Armstrong	.....	116/234
7,883,286	B2 *	2/2011	Thiebaut	.....	401/78

\* cited by examiner

*Primary Examiner* — Elizabeth Albert

(74) *Attorney, Agent, or Firm* — Rabin & Berdo, P.C.

(57) **CLAIM**

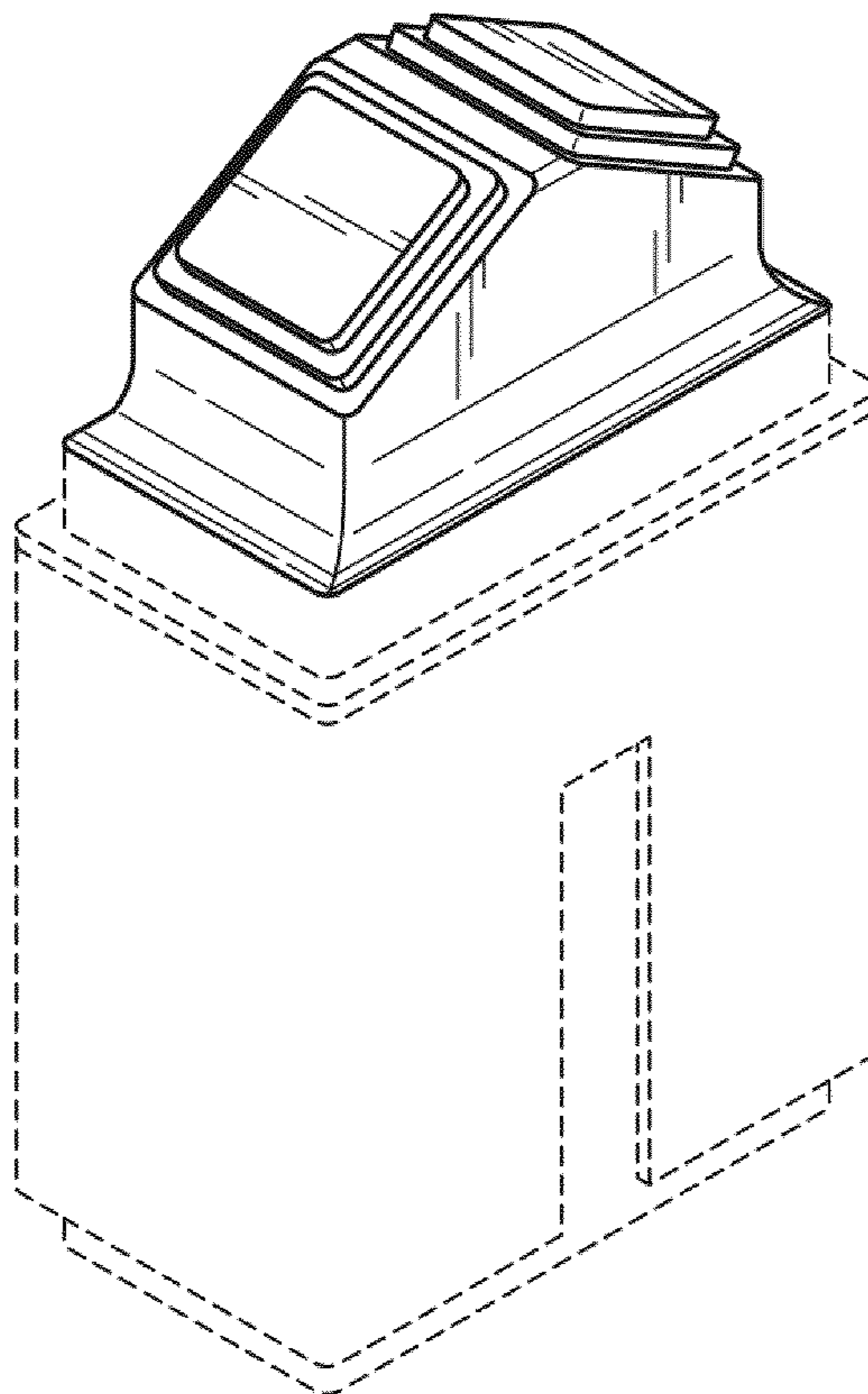
The ornamental design for a nib for marker, as shown and described.

**DESCRIPTION**

FIG. 1 is a perspective view of a nib for marker showing my new design;  
FIG. 2 is a front view thereof;  
FIG. 3 is a rear view thereof;  
FIG. 4 is a left side view thereof;  
FIG. 5 is a right side view thereof;  
FIG. 6 is a top view thereof; and,  
FIG. 7 is a bottom view thereof.

The broken lines showing in the drawings are for illustrative purposes only and form no part of the claimed design.

**1 Claim, 2 Drawing Sheets**



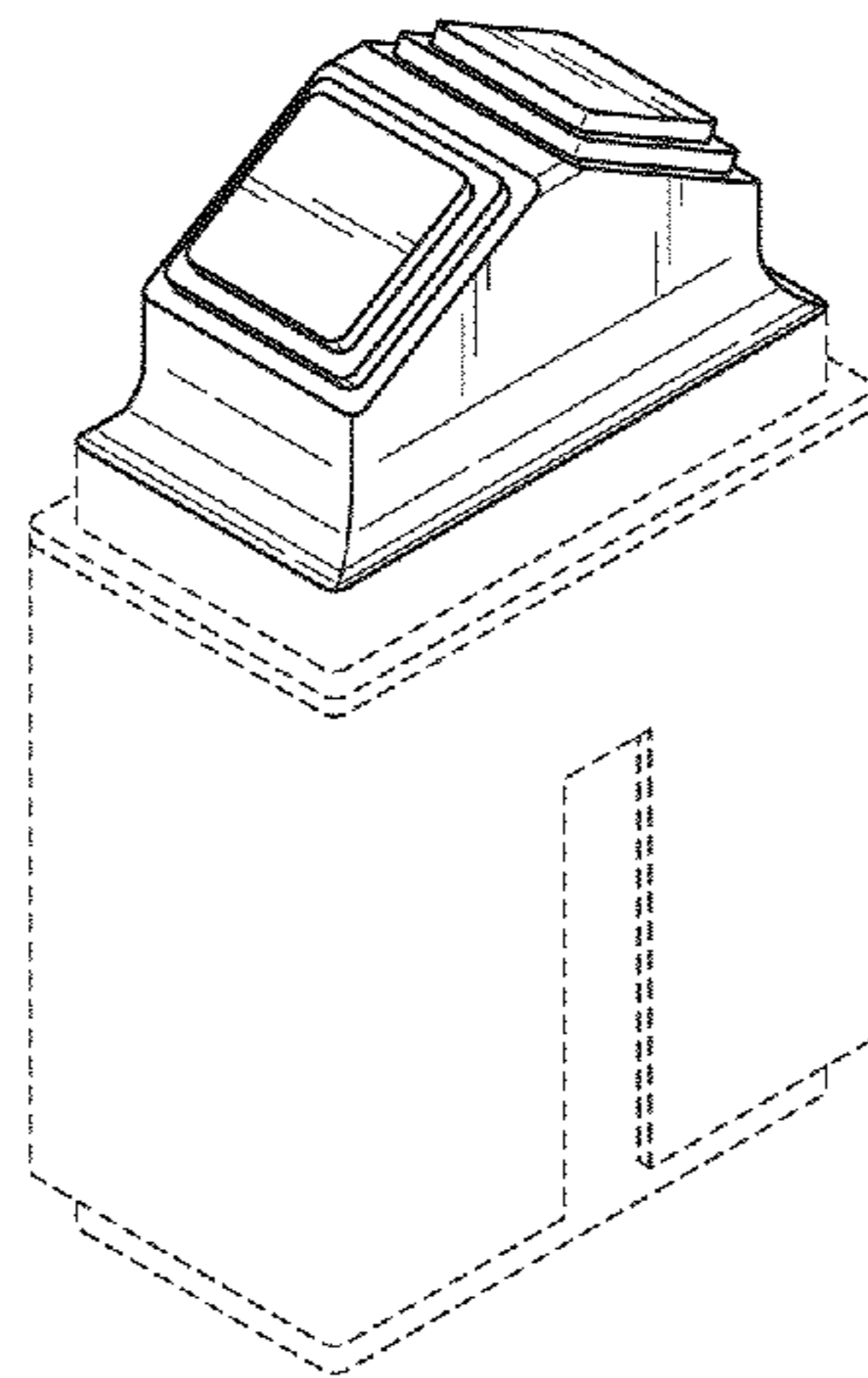


FIG. 1

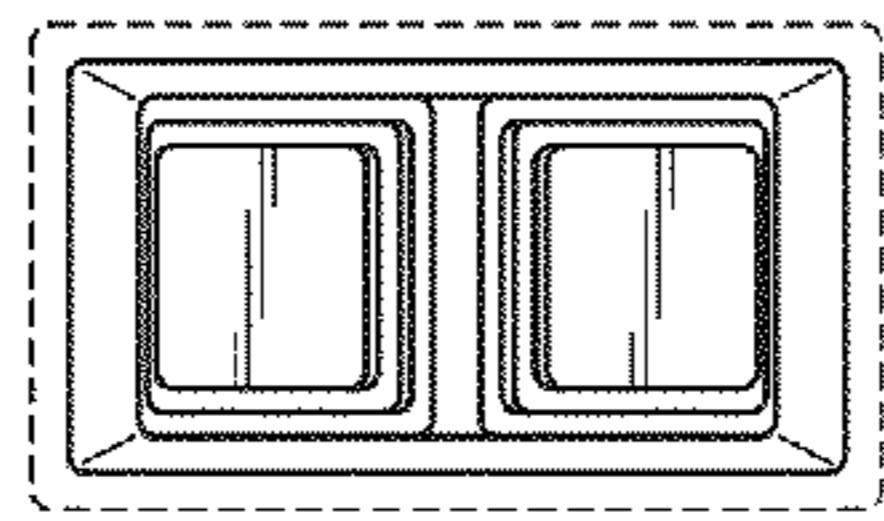


FIG. 6

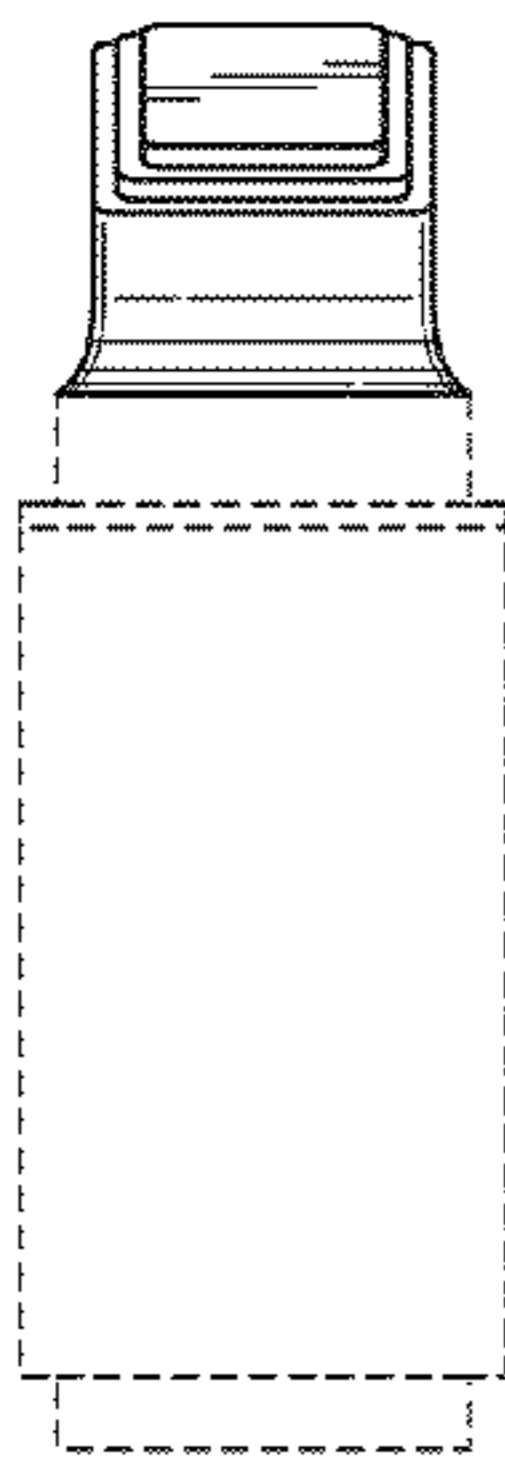


FIG. 4

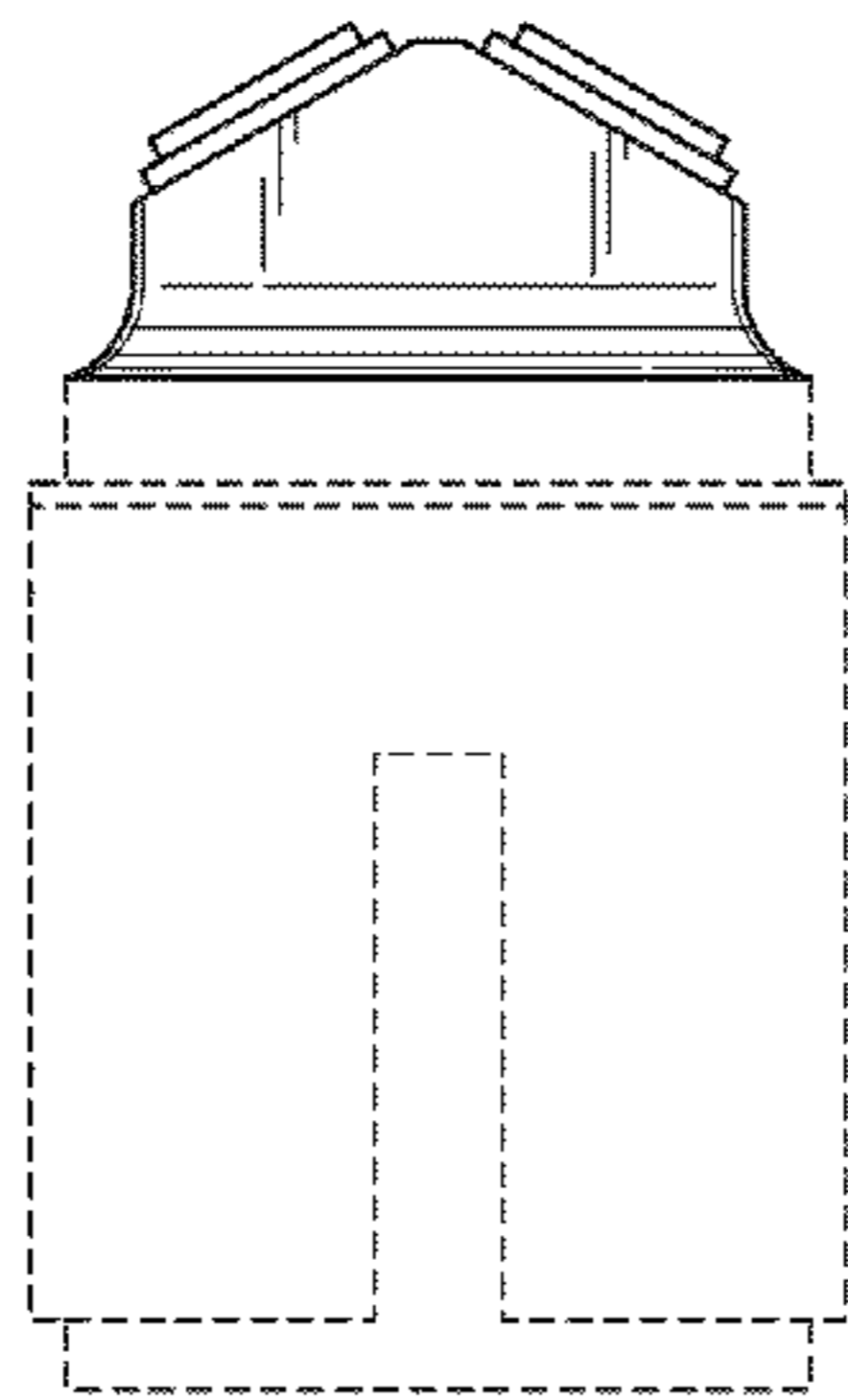


FIG. 2

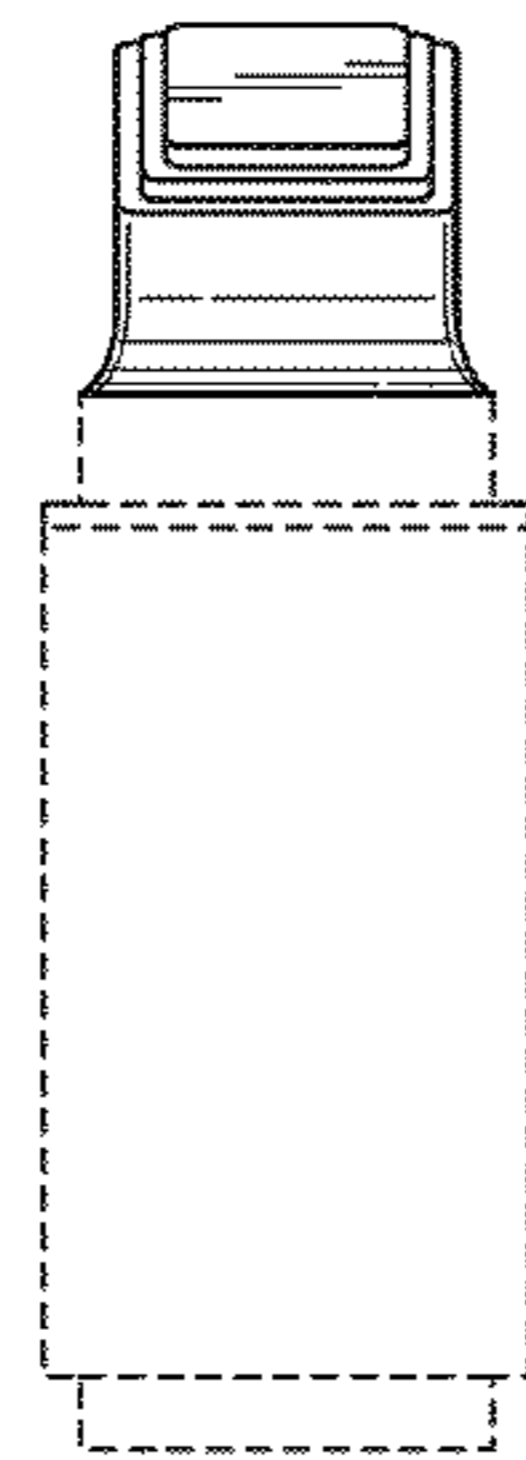


FIG. 5

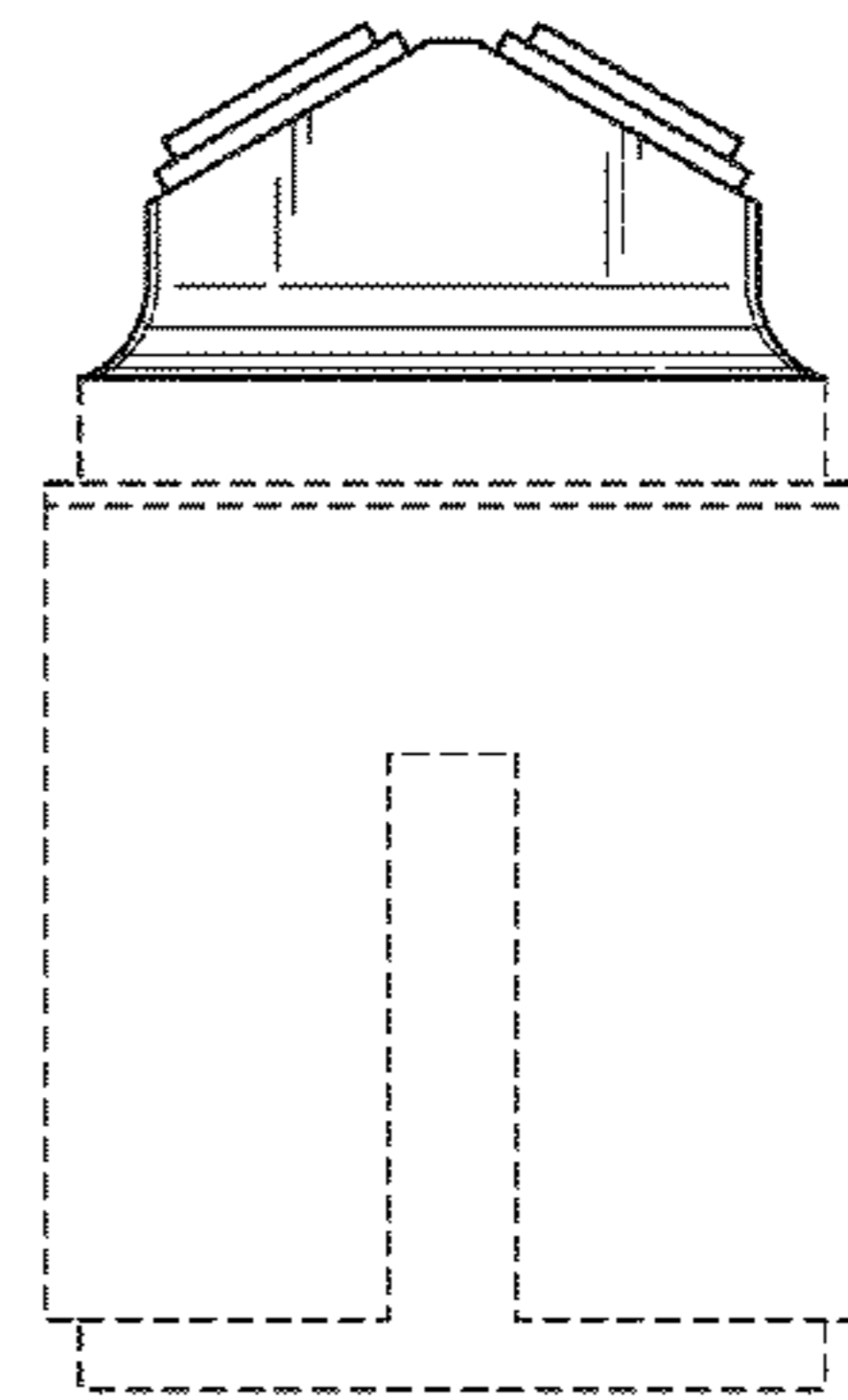


FIG. 3

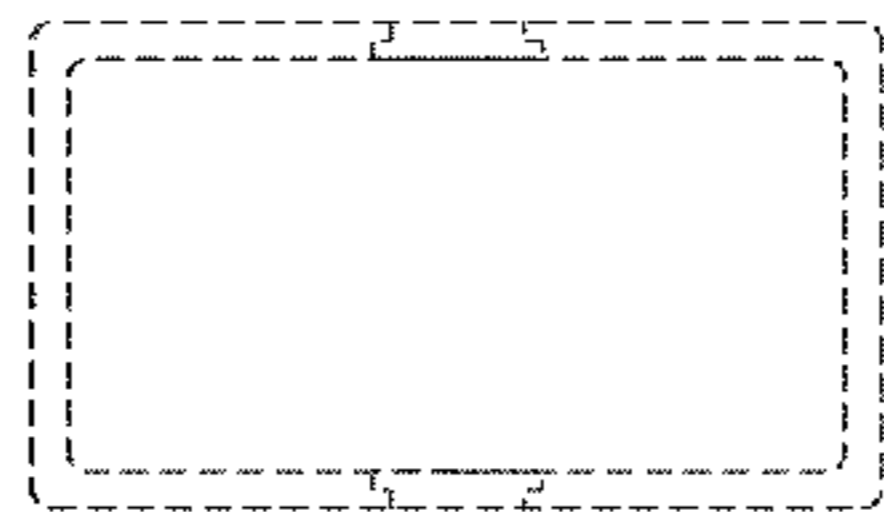


FIG. 7