

US00D669533S

(12) **United States Design Patent**
Okabe et al.

(10) **Patent No.:** **US D669,533 S**
(45) **Date of Patent:** **** Oct. 23, 2012**

- (54) **ELECTRONIC WHITEBOARD**
- (75) Inventors: **Keiichi Okabe**, Fukuoka (JP); **Toshihiro Nakashima**, Fukuoka (JP); **Atsushi Tani**, Fukuoka (JP)
- (73) Assignee: **Panasonic Corporation**, Osaka (JP)
- (**) Term: **14 Years**
- (21) Appl. No.: **29/416,904**
- (22) Filed: **Mar. 28, 2012**

(30) **Foreign Application Priority Data**

Nov. 8, 2011 (JP) 2011-025709

- (51) **LOC (9) Cl.** **19-06**
- (52) **U.S. Cl.** **D19/52**
- (58) **Field of Classification Search** D6/300,
D6/310; D14/336, 371, 374; D19/52; D20/10,
D20/27, 39, 40, 42; 40/581, 584, 611.01;
312/230; 345/173; 434/408, 410, 415
See application file for complete search history.

(56) **References Cited**

U.S. PATENT DOCUMENTS

244,205	A *	7/1881	Dubber	24/67.5
2,109,723	A *	3/1938	Gandrud	434/408
D303,814	S *	10/1989	Beck	D20/39
D339,379	S	9/1993	Persing		
D390,610	S	2/1998	Wingerei		
D393,008	S	3/1998	Hiraguchi et al.		
D424,538	S	5/2000	Hayashi et al.		
D438,258	S	2/2001	Itoh et al.		
D463,493	S *	9/2002	Beno	D19/52
D469,090	S	1/2003	Tsuji		
D499,076	S	11/2004	Kita		
D501,186	S	1/2005	Kita		
D533,149	S	12/2006	Inoue		
D555,117	S	11/2007	Tanaka et al.		
D558,736	S	1/2008	Kita		

D570,312	S	6/2008	Kita		
D573,117	S *	7/2008	Niitsu	D14/126
D586,396	S *	2/2009	Kang	D19/52
D589,089	S	3/2009	Loerakker et al.		
D590,018	S	4/2009	Nash et al.		
D594,062	S *	6/2009	Loerakker	D19/52
D614,170	S	4/2010	Nakashima et al.		
D618,241	S	6/2010	Akana et al.		
D619,134	S	7/2010	Tsai et al.		
D626,599	S	11/2010	Ogawa et al.		
D629,043	S *	12/2010	Beno et al.	D19/52
D652,083	S *	1/2012	Yi et al.	D20/42
8,188,985	B2 *	5/2012	Hillis et al.	345/173

* cited by examiner

Primary Examiner — Elizabeth Albert

(74) *Attorney, Agent, or Firm* — Brinks Hofer Gilson & Lione

(57) **CLAIM**

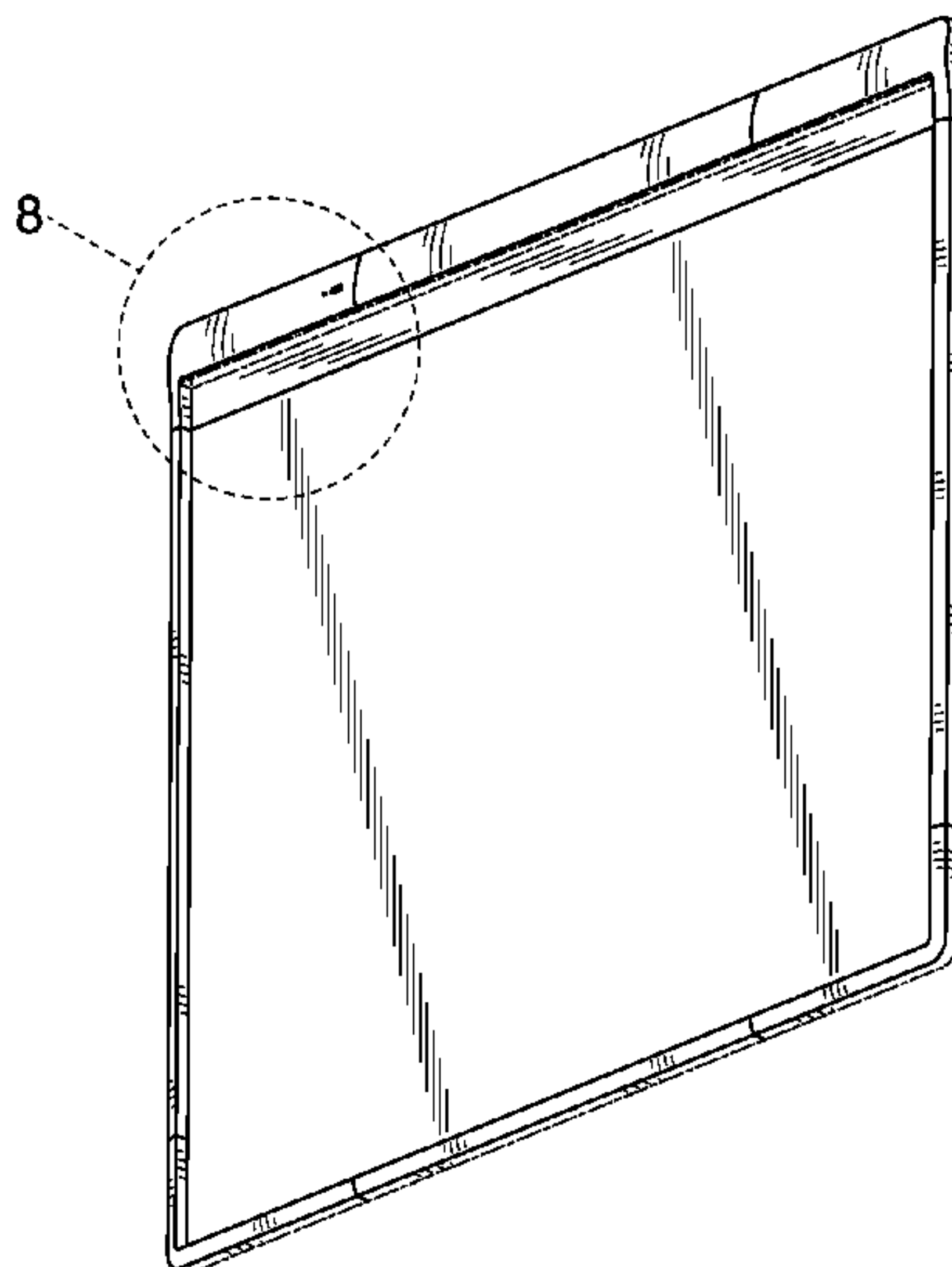
We claim the ornamental design for an electronic whiteboard, as shown and described.

DESCRIPTION

FIG. 1 is a front perspective view of an electronic whiteboard of the present invention;
 FIG. 2 is a front view thereof;
 FIG. 3 is a rear view thereof;
 FIG. 4 is a first side view thereof;
 FIG. 5 is a second side view thereof;
 FIG. 6 is a top view thereof;
 FIG. 7 is a bottom view thereof; and,
 FIG. 8 is an enlarged view of the encircled section 8 of FIG. 1.

The evenly spaced broken lines shown in FIGS. 1 and 8 represent unclaimed subject matter and form no part of the claimed design. Additionally, the long and short broken lines in FIGS. 1 through 8 that define the bounds of the claimed design form no part thereof.

1 Claim, 6 Drawing Sheets



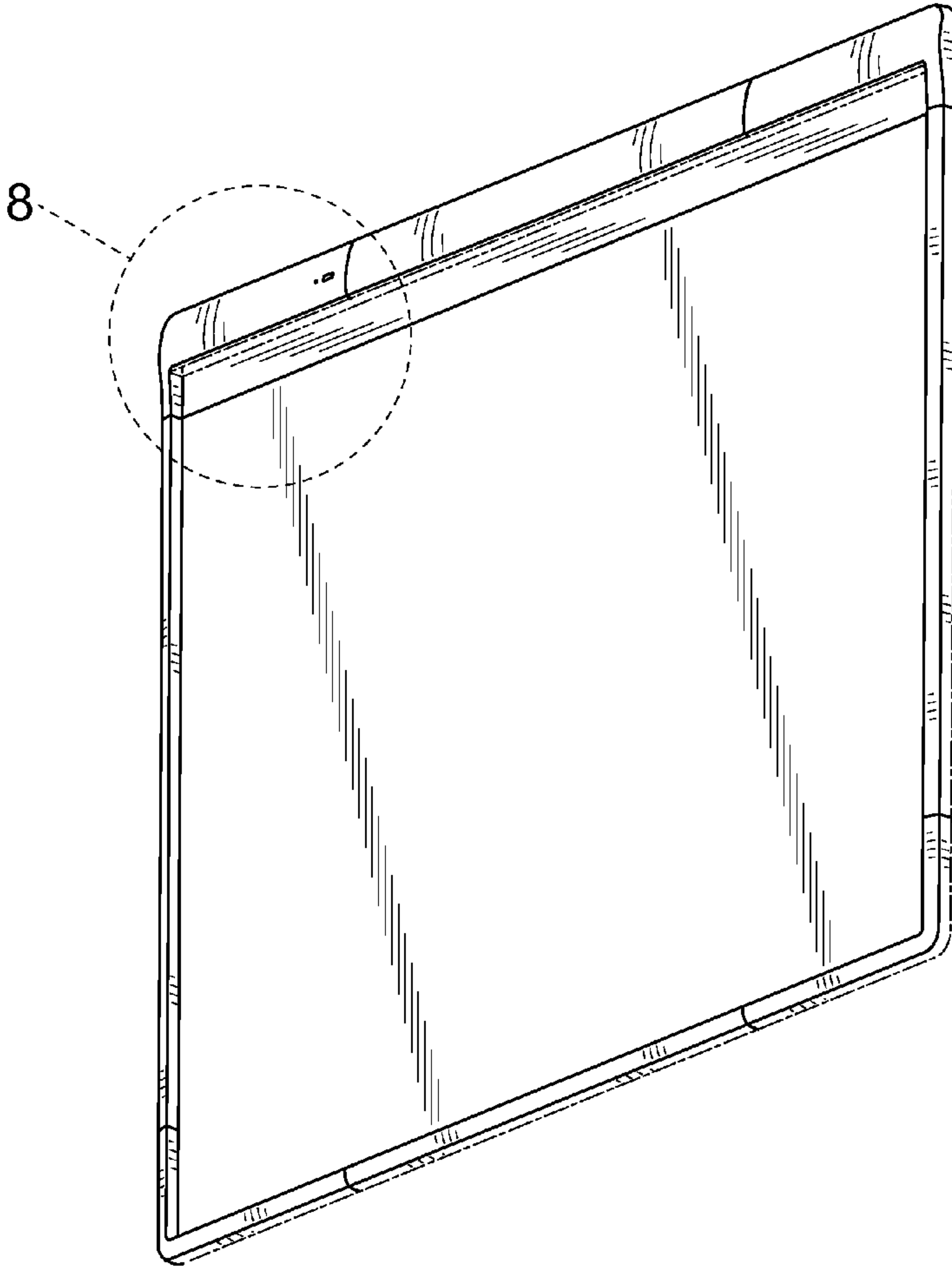


FIG. 1

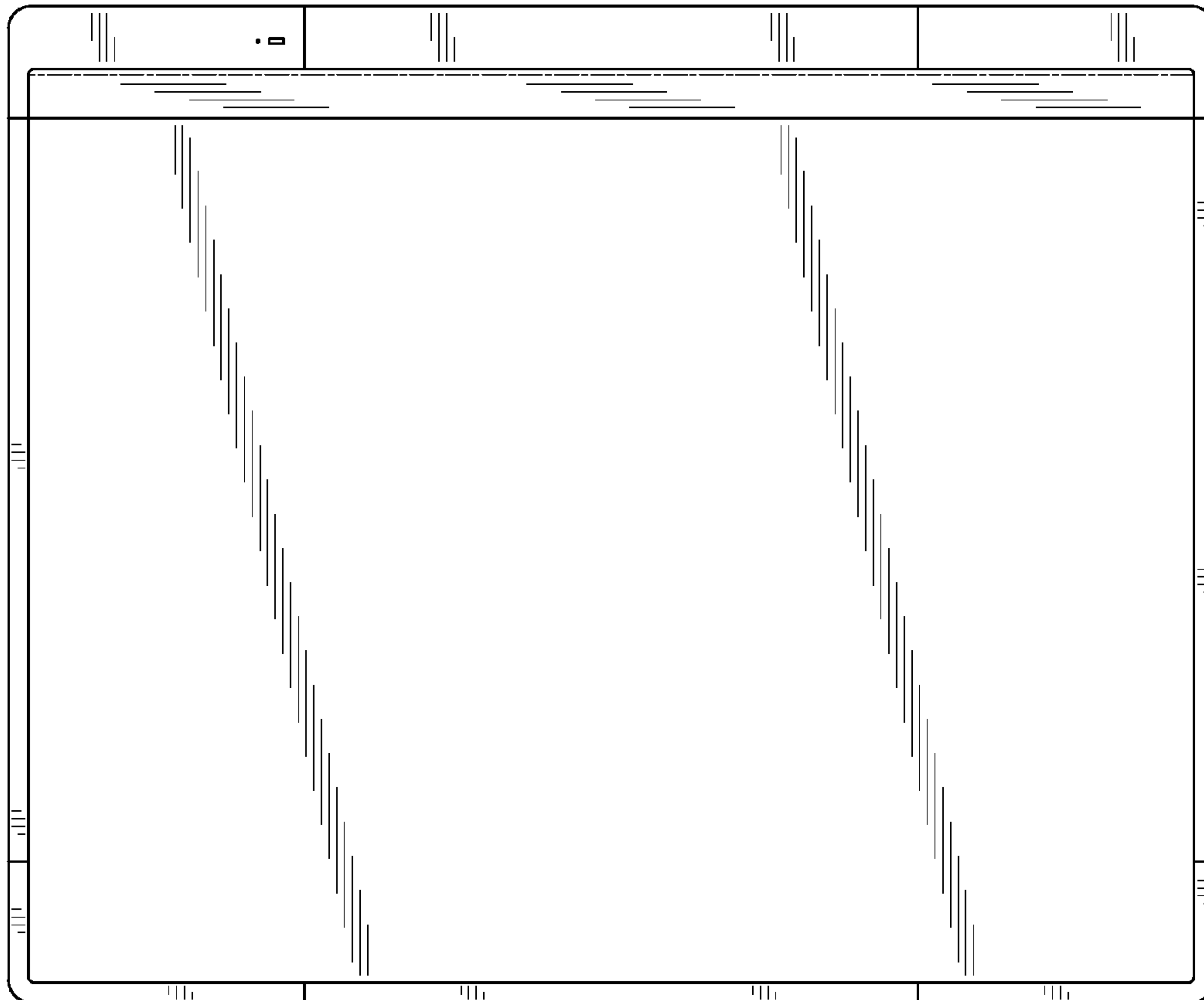


FIG.2

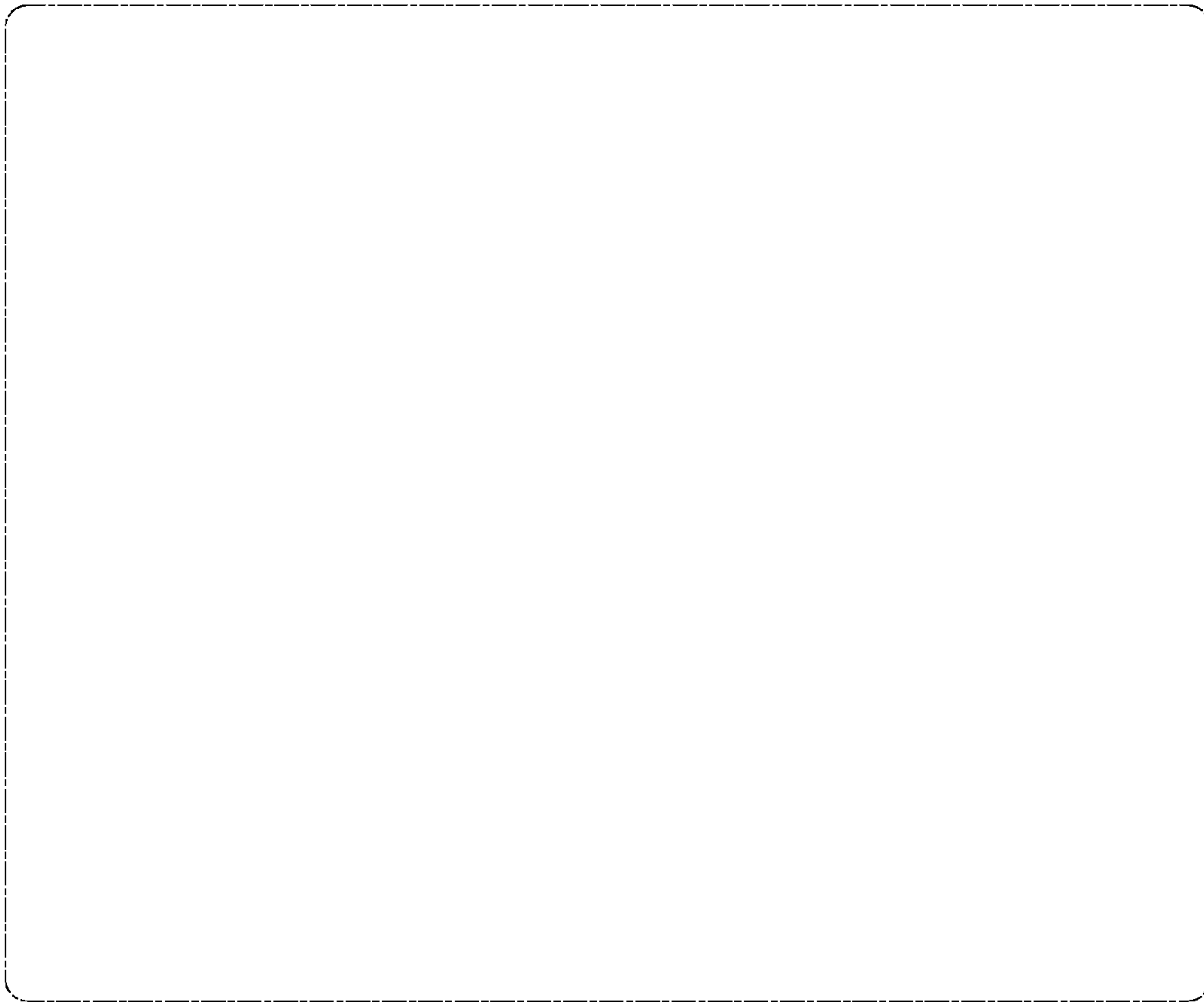


FIG.3



FIG.4



FIG.5

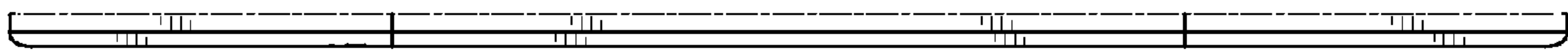


FIG.6

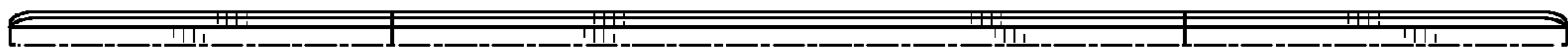


FIG.7

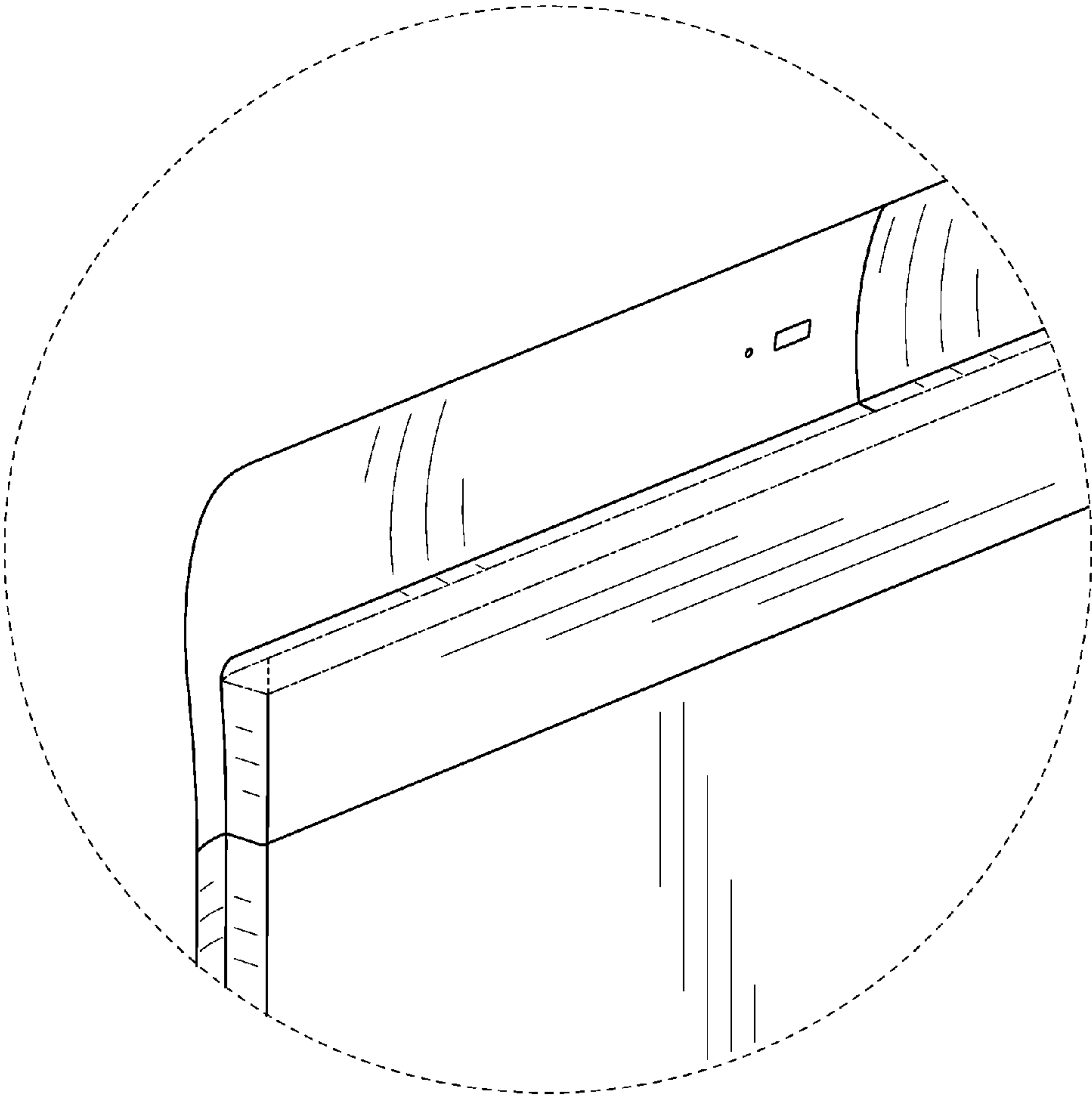


FIG.8