

US00D669530S

(12) **United States Design Patent**  
**Hung**

(10) **Patent No.:** **US D669,530 S**

(45) **Date of Patent:** **\*\* Oct. 23, 2012**

(54) **MARKER**

(75) Inventor: **Peter M. H. Hung**, Kowloon (HK)

(73) Assignee: **Fulon Development Limited**, Kowloon (HK)

(\*\*) Term: **14 Years**

(21) Appl. No.: **29/399,038**

(22) Filed: **Aug. 9, 2011**

(51) **LOC (9) Cl.** ..... **19-06**

(52) **U.S. Cl.** ..... **D19/41**

(58) **Field of Classification Search** ..... D19/35,  
D19/36, 41-51, 54-58; D14/411; 24/11 F,  
24/11 P, 11 R; 401/52, 99-109, 192, 195,  
401/196; D9/687, 693, 694, 504, 723, 725;  
D28/7, 76, 85

See application file for complete search history.

D335,893 S *	5/1993	Hu	.....	D19/43
D394,210 S *	5/1998	Fiore	.....	D9/529
D470,529 S *	2/2003	Tu	.....	D19/43
D484,790 S *	1/2004	Sgariboldi	.....	D9/694
D484,792 S *	1/2004	Sgariboldi	.....	D9/694
D485,165 S *	1/2004	Sgariboldi	.....	D9/694
6,675,814 B2 *	1/2004	Gueret	.....	132/218
D486,861 S *	2/2004	Gokey et al.	.....	D19/55
D543,970 S *	6/2007	Griffin	.....	D14/484.1
7,311,461 B2 *	12/2007	Bosworth et al.	.....	401/199
7,367,280 B1 *	5/2008	Armstrong	.....	116/234
D572,307 S *	7/2008	Qiu et al.	.....	D19/43
D597,133 S *	7/2009	Hung	.....	D19/41
7,883,286 B2 *	2/2011	Thiebaut	.....	401/78
D646,581 S *	10/2011	Baron	.....	D9/573

\* cited by examiner

*Primary Examiner* — Elizabeth Albert

(74) *Attorney, Agent, or Firm* — Rabin & Berdo, P.C.

(57) **CLAIM**

The ornamental design for a marker, as shown and described.

**DESCRIPTION**

FIG. 1 is a perspective view of a marker showing my new design;

FIG. 2 is a front view thereof;

FIG. 3 is a rear view thereof;

FIG. 4 is a left side view thereof;

FIG. 5 is a right side view thereof;

FIG. 6 is a top view thereof;

FIG. 7 is a bottom view thereof; and,

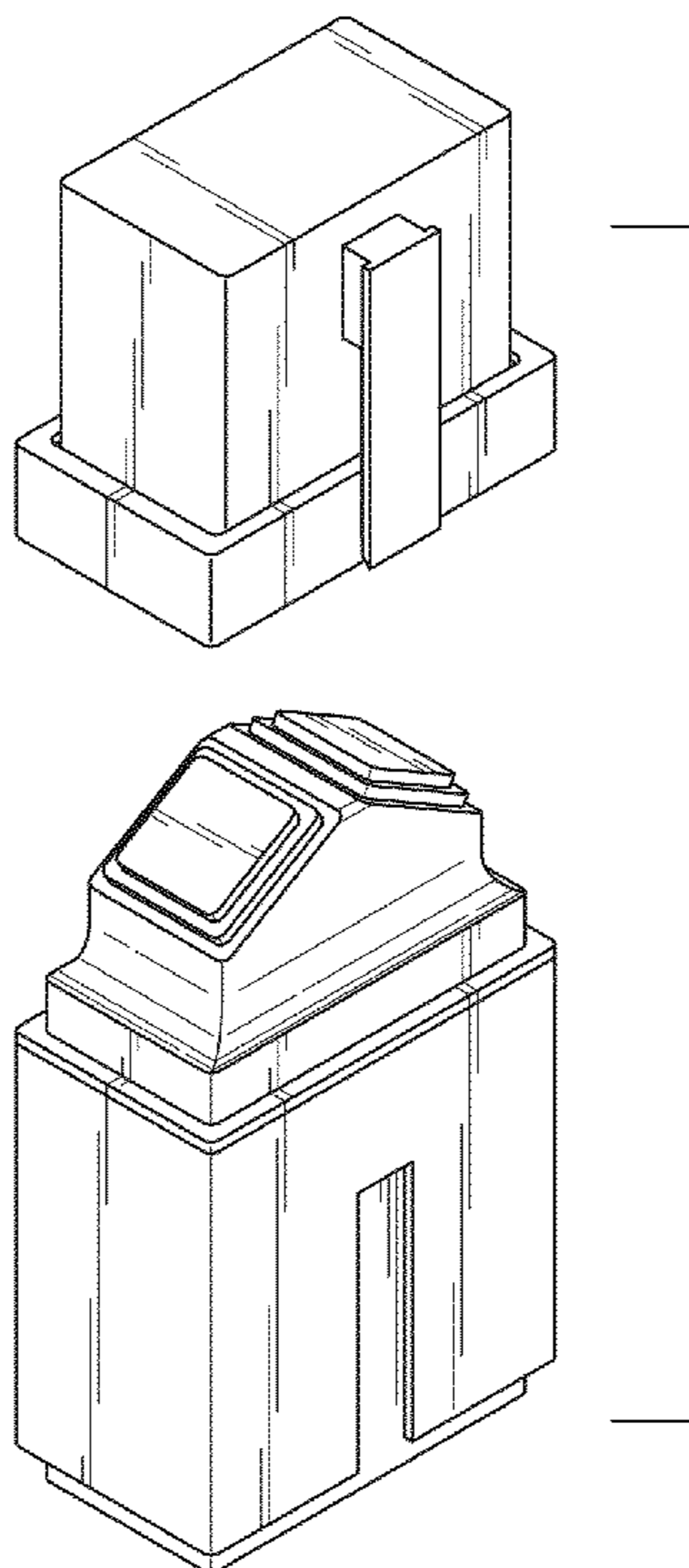
FIG. 8 is a perspective view with cap separated thereof.

**1 Claim, 3 Drawing Sheets**

(56) **References Cited**

**U.S. PATENT DOCUMENTS**

1,942,283 A *	1/1934	Hale	.....	15/105.51
2,219,909 A *	10/1940	Schlicker	.....	132/317
D159,872 S *	8/1950	Skold	.....	D9/432
D246,998 S *	1/1978	Hill	.....	D28/7
D260,272 S *	8/1981	Horntrich	.....	D19/43
D262,768 S *	1/1982	Bovet	.....	D7/591
D268,501 S *	4/1983	Kruckel et al.	.....	D19/43
D276,479 S *	11/1984	Mori	.....	D3/208
D280,139 S *	8/1985	Bakic	.....	D28/85
D306,315 S *	2/1990	Shintani	.....	D19/36
D309,913 S *	8/1990	Shintani	.....	D19/43



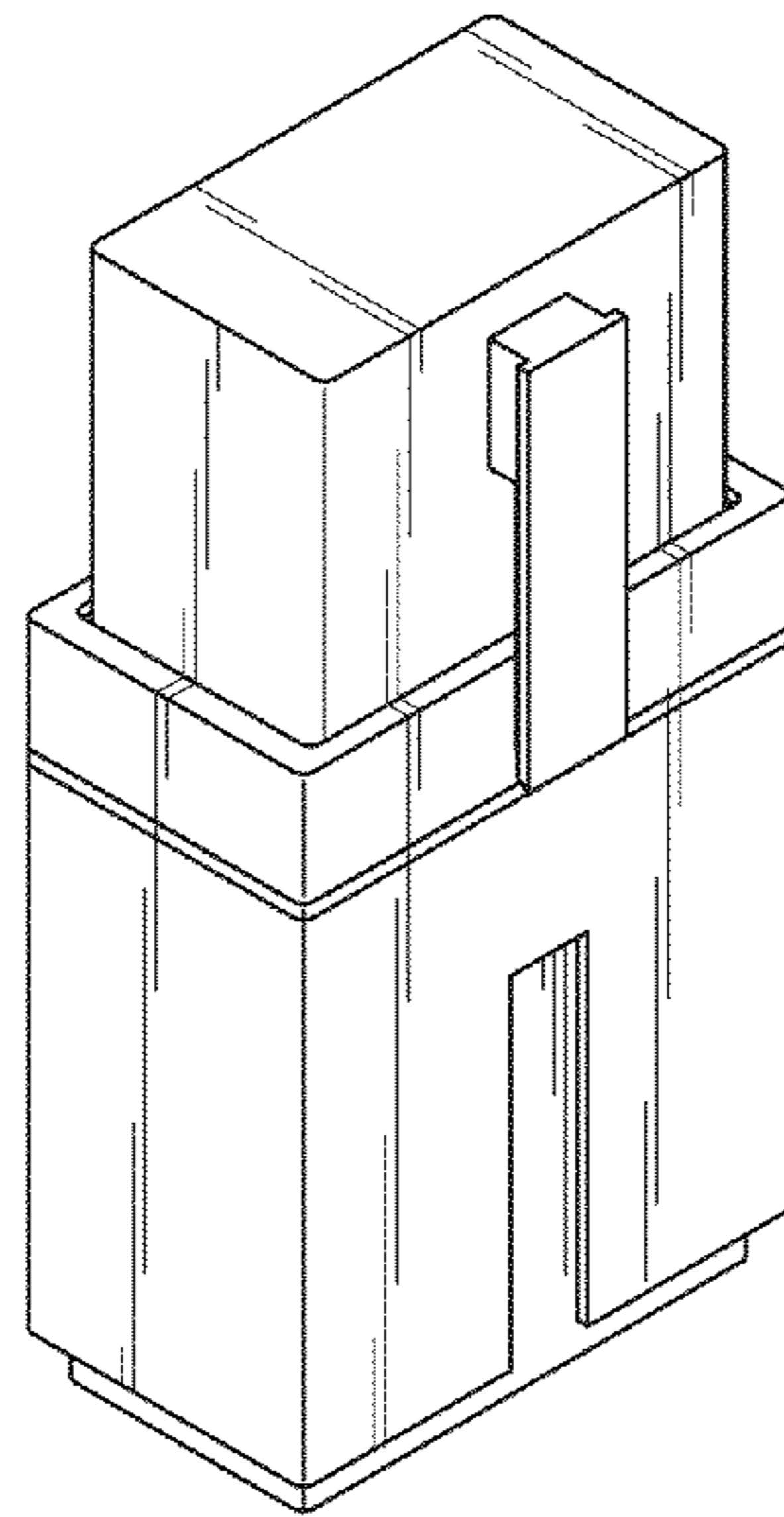


FIG. 1

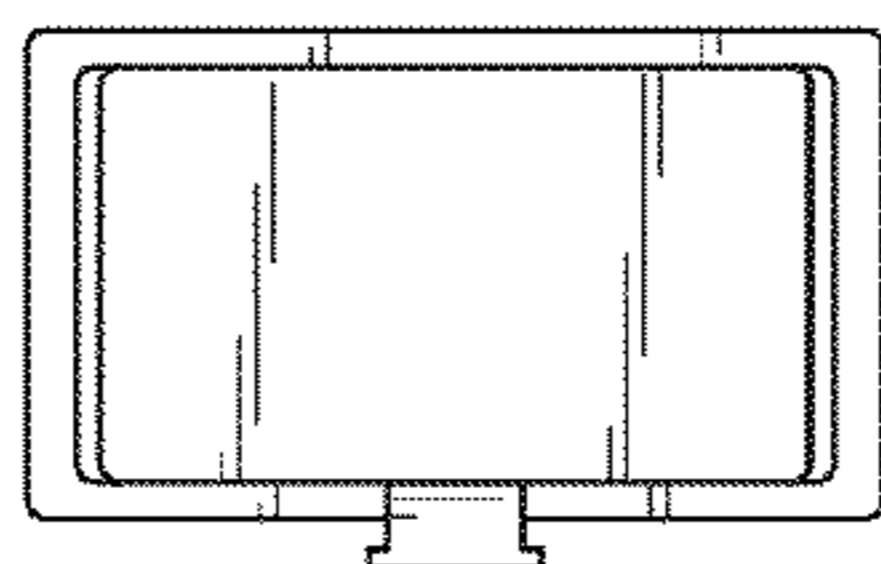


FIG. 6

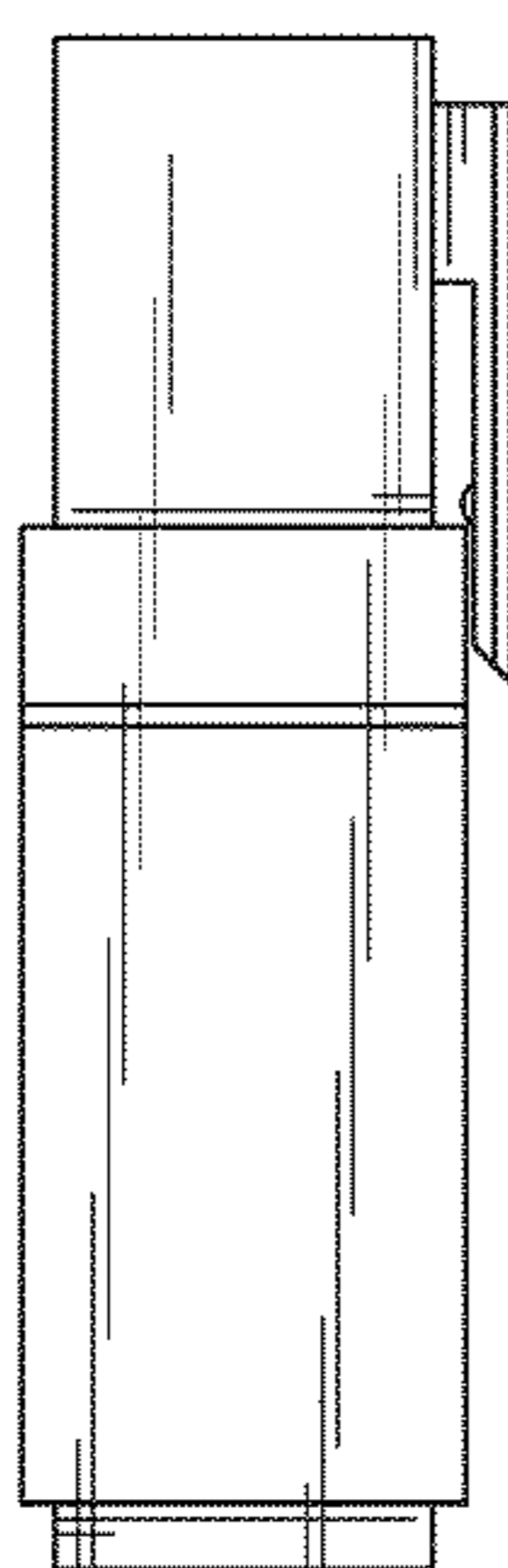


FIG. 4

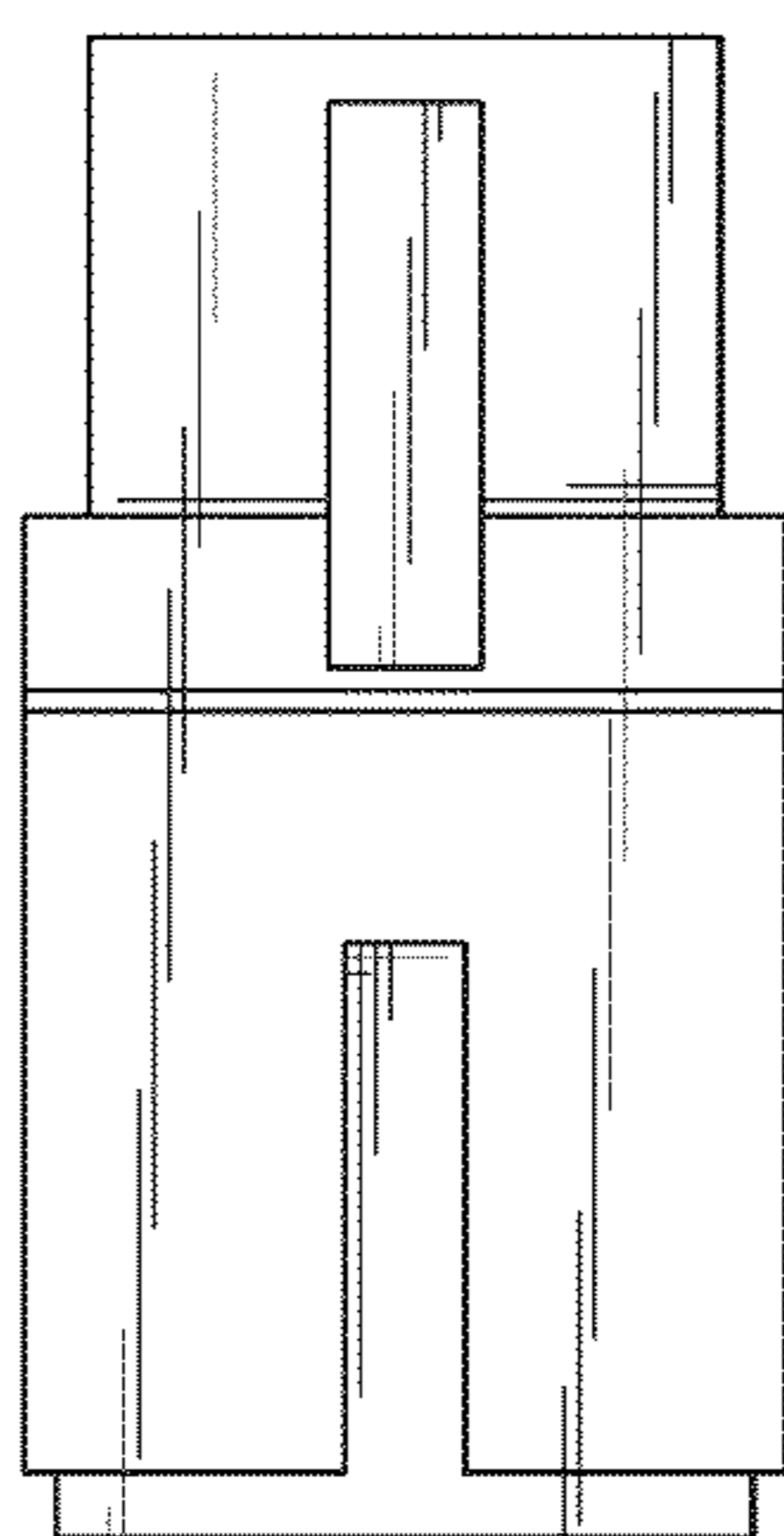


FIG. 2

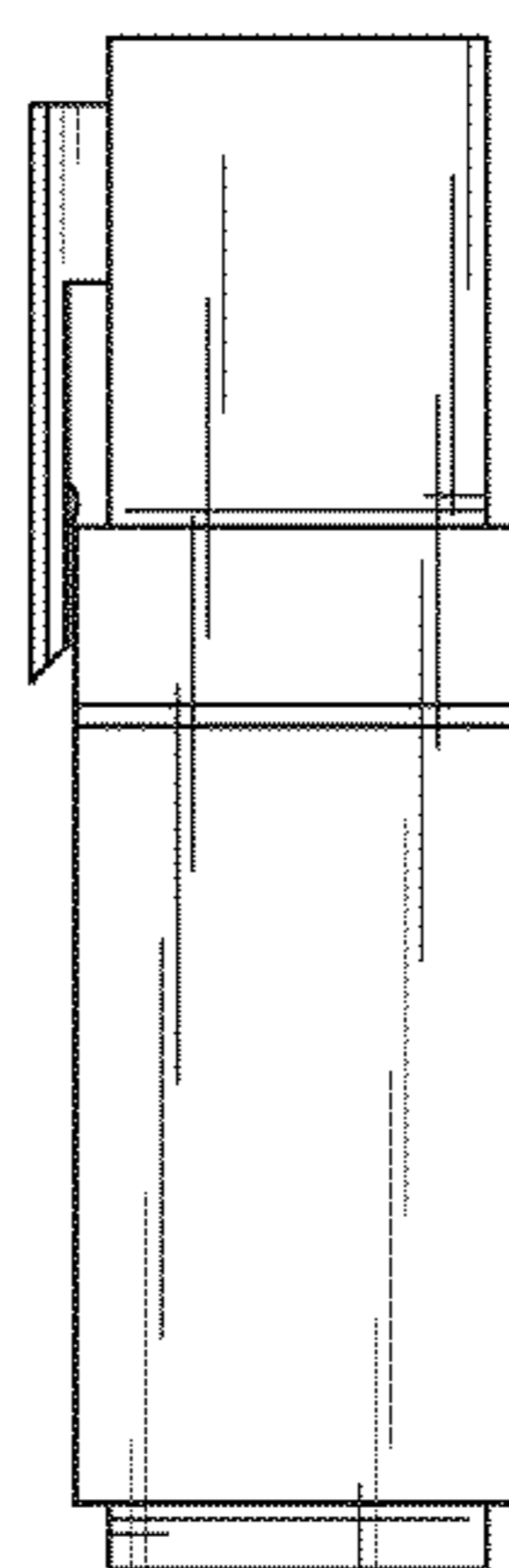


FIG. 5

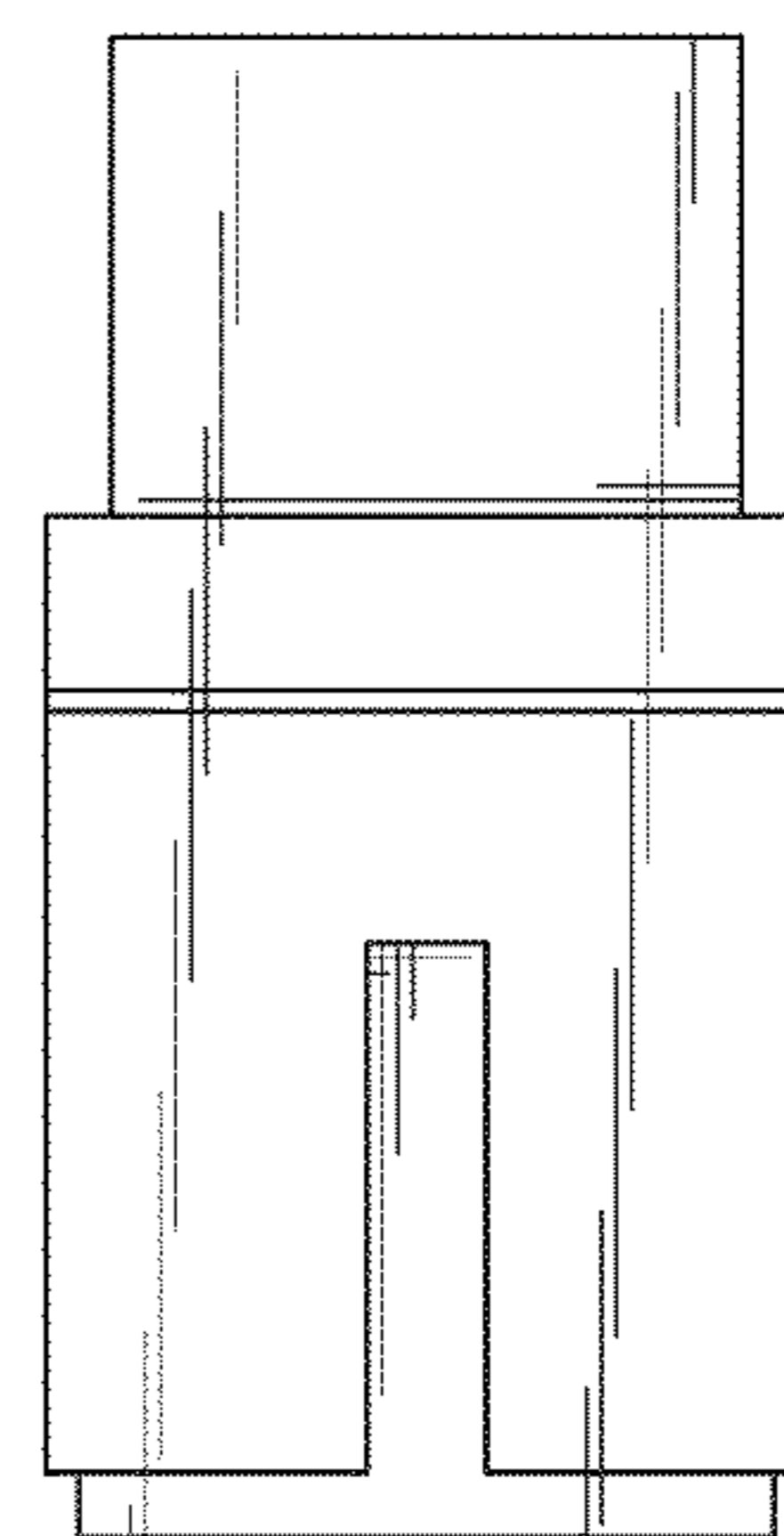


FIG. 3

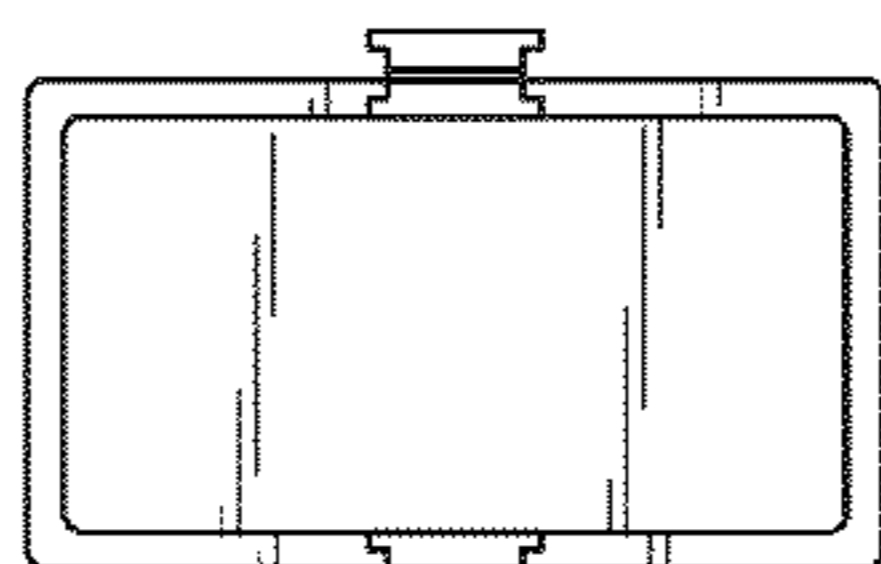


FIG. 7

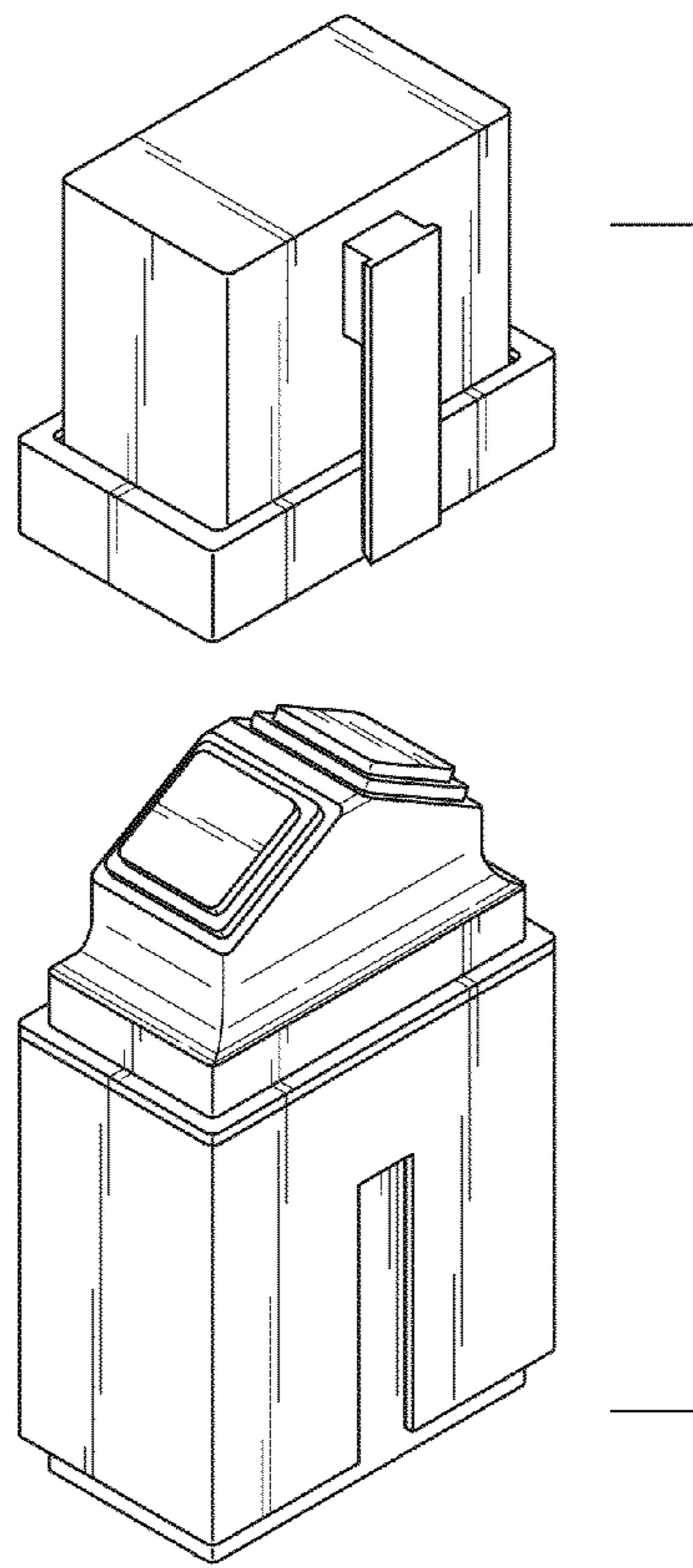


FIG. 8