

US00D669529S

(12) **United States Design Patent**
Hung

(10) **Patent No.:** **US D669,529 S**

(45) **Date of Patent:** **** Oct. 23, 2012**

(54) **MARKER**

(75) Inventor: **Peter M. H. Hung**, Kowloon (HK)

(73) Assignee: **Fulon Development Limited**, Kowloon (HK)

(**) Term: **14 Years**

(21) Appl. No.: **29/399,036**

(22) Filed: **Aug. 9, 2011**

(51) **LOC (9) Cl.** **19-06**

(52) **U.S. Cl.** **D19/41**

(58) **Field of Classification Search** D19/35,
D19/36, 41-51, 54-58; D14/411; 24/11 F,
24/11 P, 11 R; 401/52, 99-109, 192, 195,
401/196; D9/687, 693, 694, 504, 723, 725;
D28/7, 76, 85

See application file for complete search history.

(56) **References Cited**

U.S. PATENT DOCUMENTS

1,942,283	A *	1/1934	Hale	15/105.51
D159,872	S *	8/1950	Skold	D9/432
D246,998	S *	1/1978	Hill	D28/7
D260,272	S *	8/1981	Horntrich	D19/43
D268,501	S *	4/1983	Kruckel et al.	D19/43
D276,479	S *	11/1984	Mori	D3/208
D306,315	S *	2/1990	Shintani	D19/36
D309,913	S *	8/1990	Shintani	D19/43

D313,872	S *	1/1991	Thompson	D28/85
D335,893	S *	5/1993	Hu	D19/43
D470,529	S *	2/2003	Tu	D19/43
D484,790	S *	1/2004	Sgariboldi	D9/694
D484,792	S *	1/2004	Sgariboldi	D9/694
D485,165	S *	1/2004	Sgariboldi	D9/694
6,675,814	B2 *	1/2004	Gueret	132/218
D486,861	S *	2/2004	Gokey et al.	D19/55
D543,970	S *	6/2007	Griffin	D14/484.1
7,311,461	B2 *	12/2007	Bosworth et al.	401/199
7,367,280	B1 *	5/2008	Armstrong	116/234
D572,307	S *	7/2008	Qiu et al.	D19/43
D597,133	S *	7/2009	Hung	D19/41
D646,581	S *	10/2011	Baron	D9/573

* cited by examiner

Primary Examiner — Elizabeth Albert

(74) *Attorney, Agent, or Firm* — Rabin & Berdo, P.C.

(57) **CLAIM**

The ornamental design for a marker, as shown and described.

DESCRIPTION

FIG. 1 is a perspective view of a marker showing my new design;

FIG. 2 is a front view thereof;

FIG. 3 is a rear view thereof;

FIG. 4 is a left side view thereof;

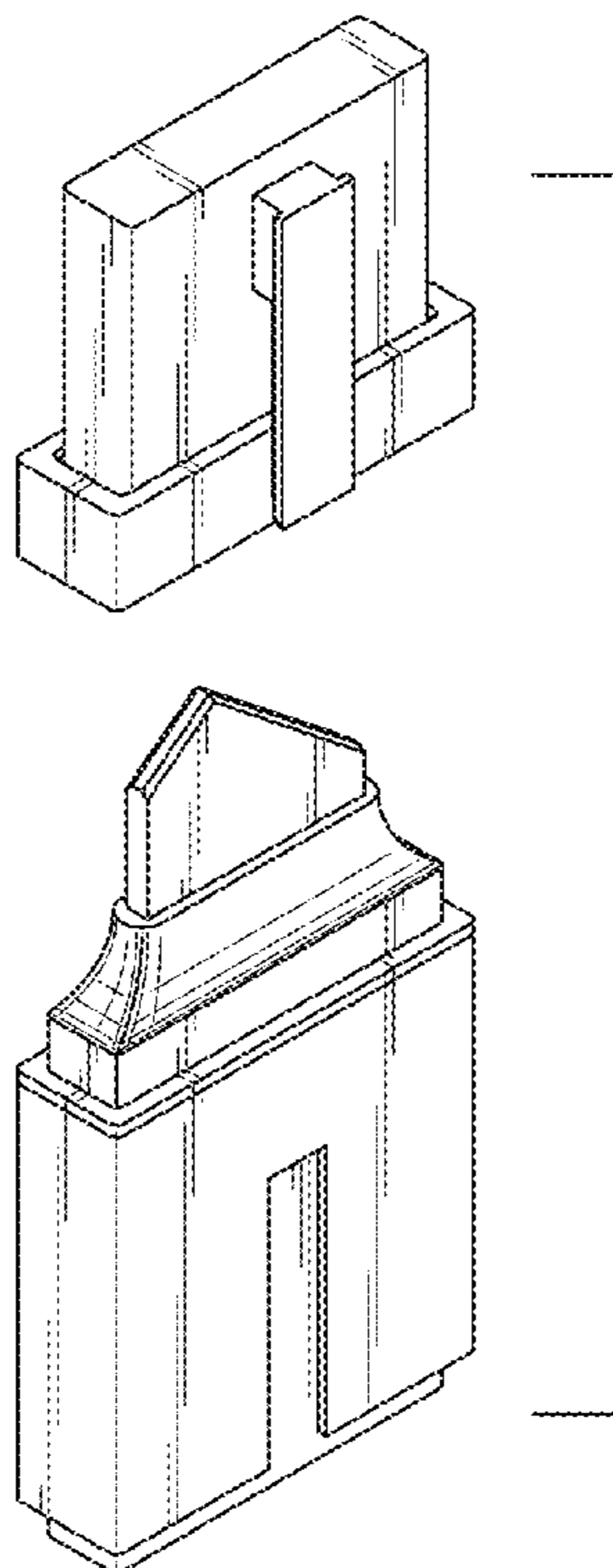
FIG. 5 is a right side view thereof;

FIG. 6 is a top view thereof;

FIG. 7 is a bottom view thereof; and,

FIG. 8 is a perspective view with cap separated thereof.

1 Claim, 3 Drawing Sheets



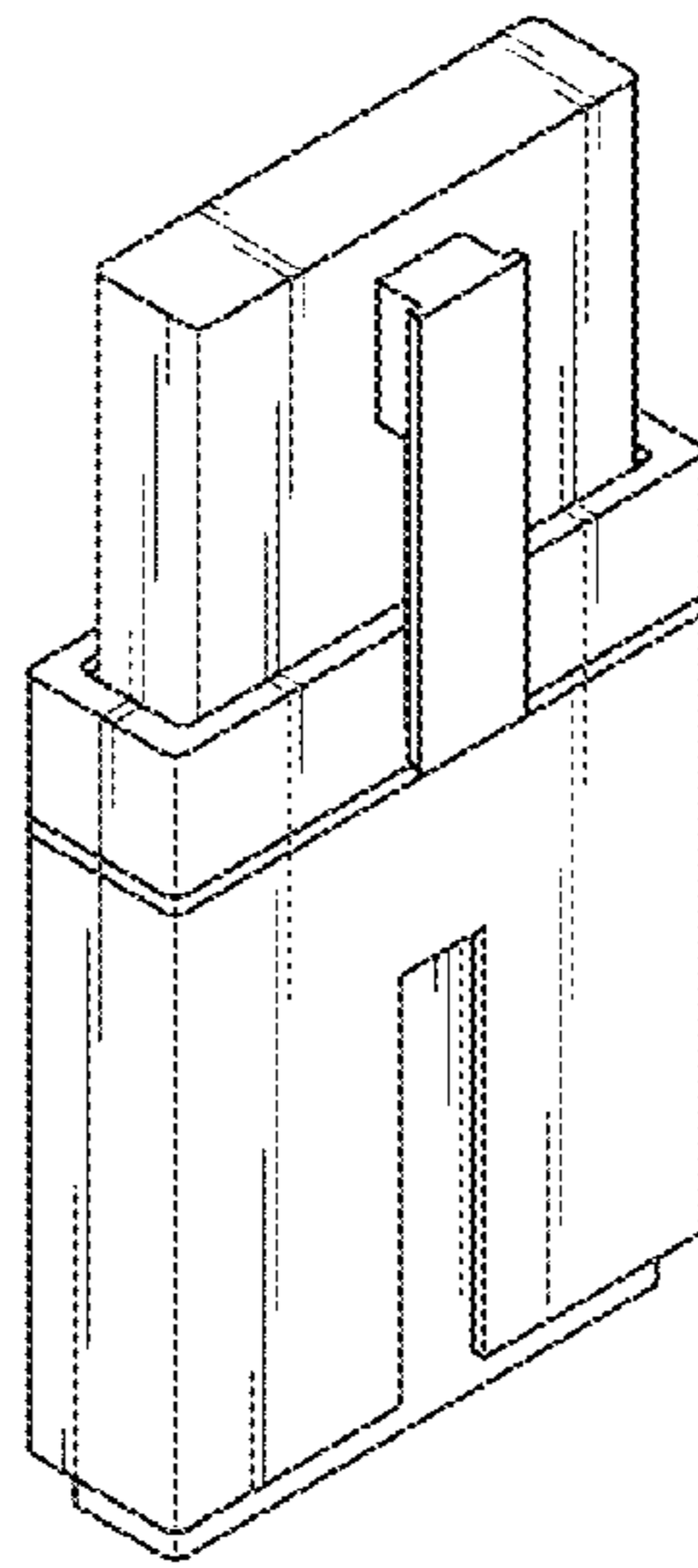


FIG. 1

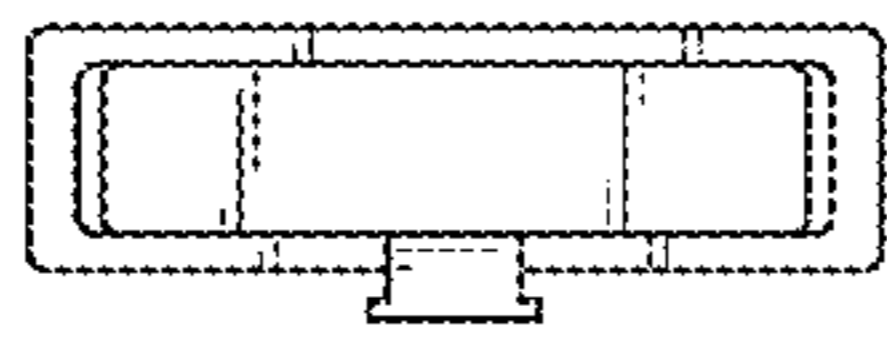


FIG. 6

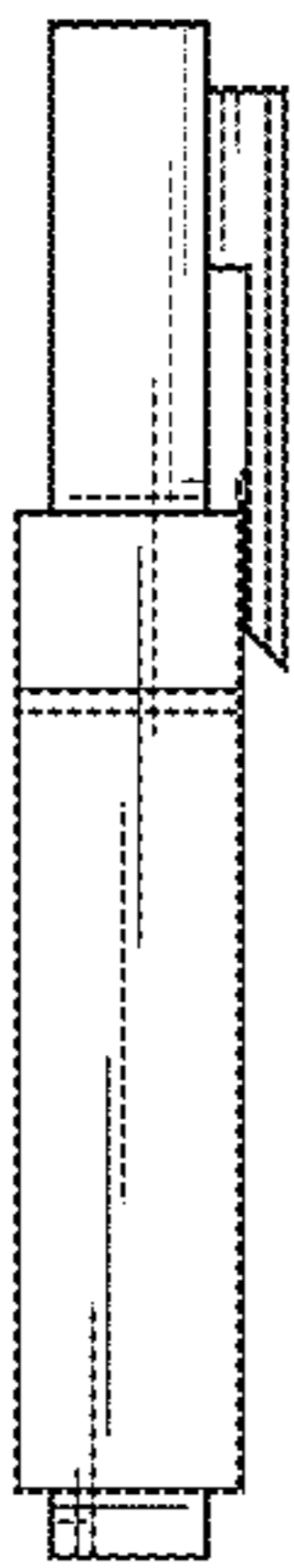


FIG. 4

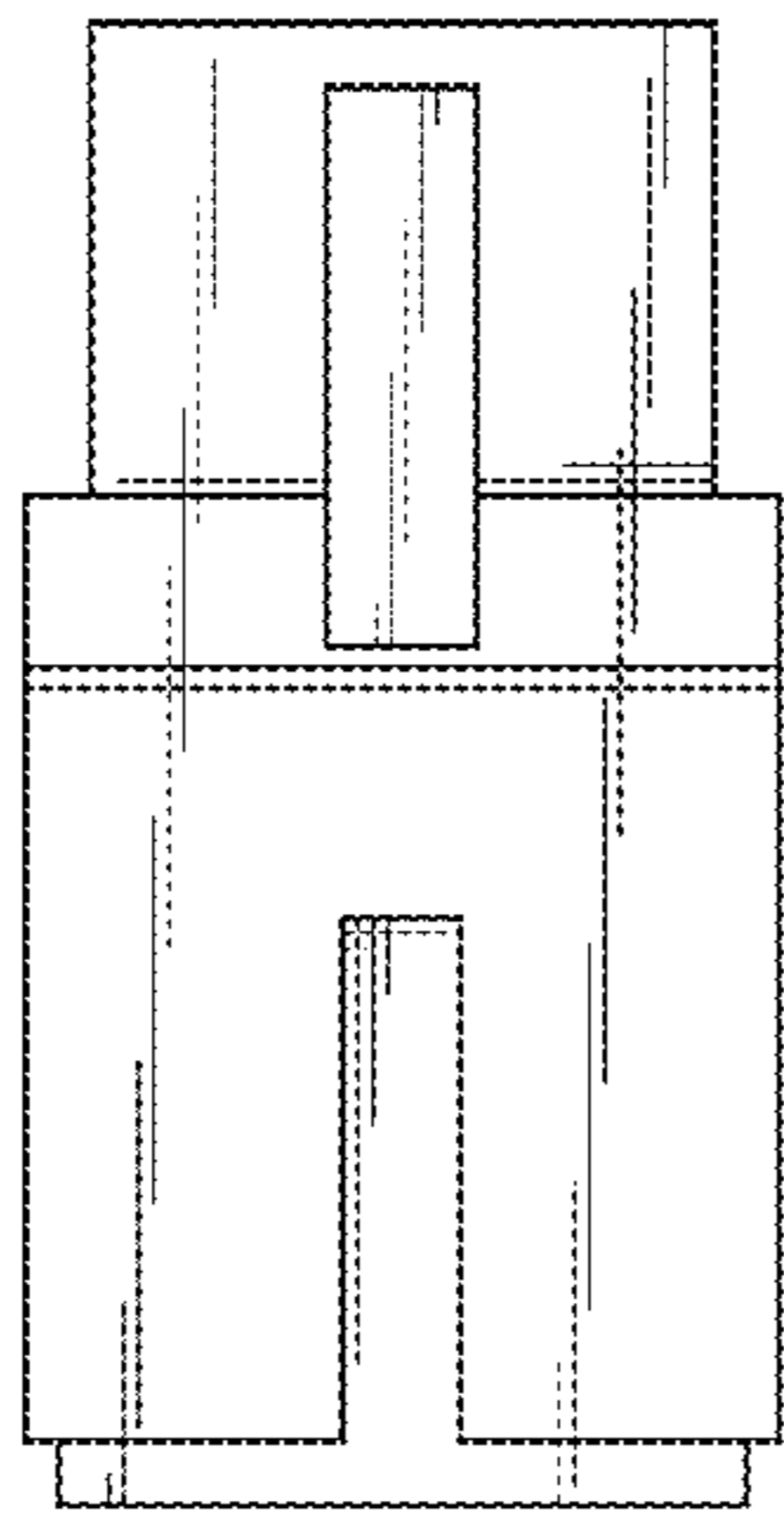


FIG. 2

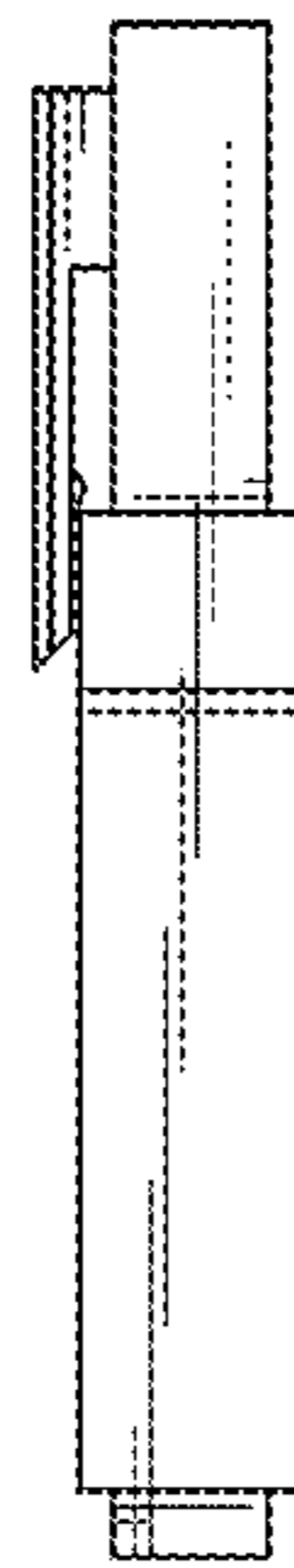


FIG. 5

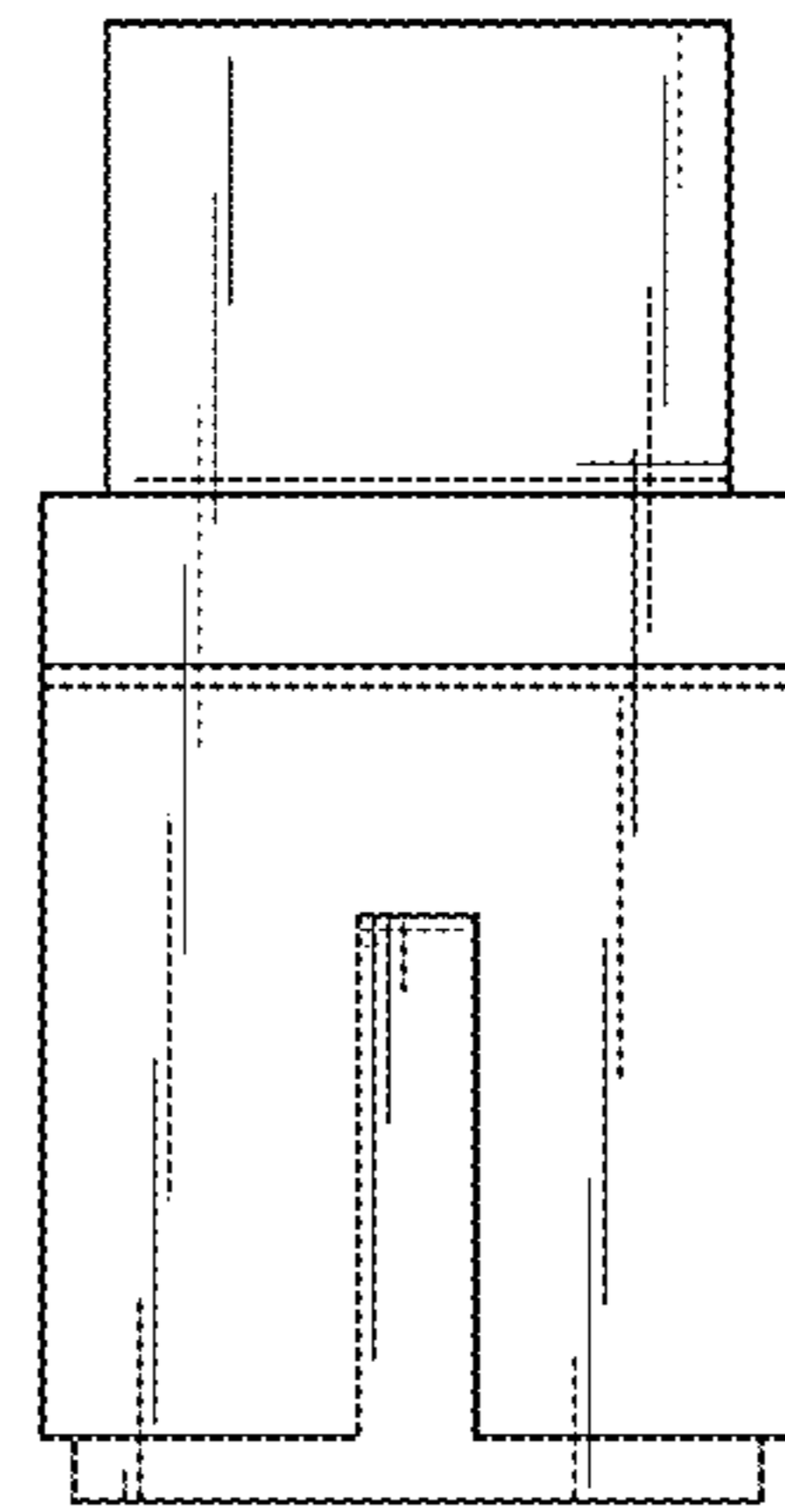


FIG. 3

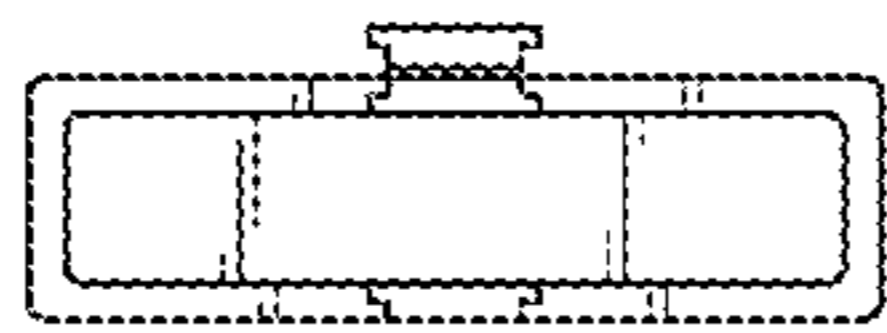


FIG. 7

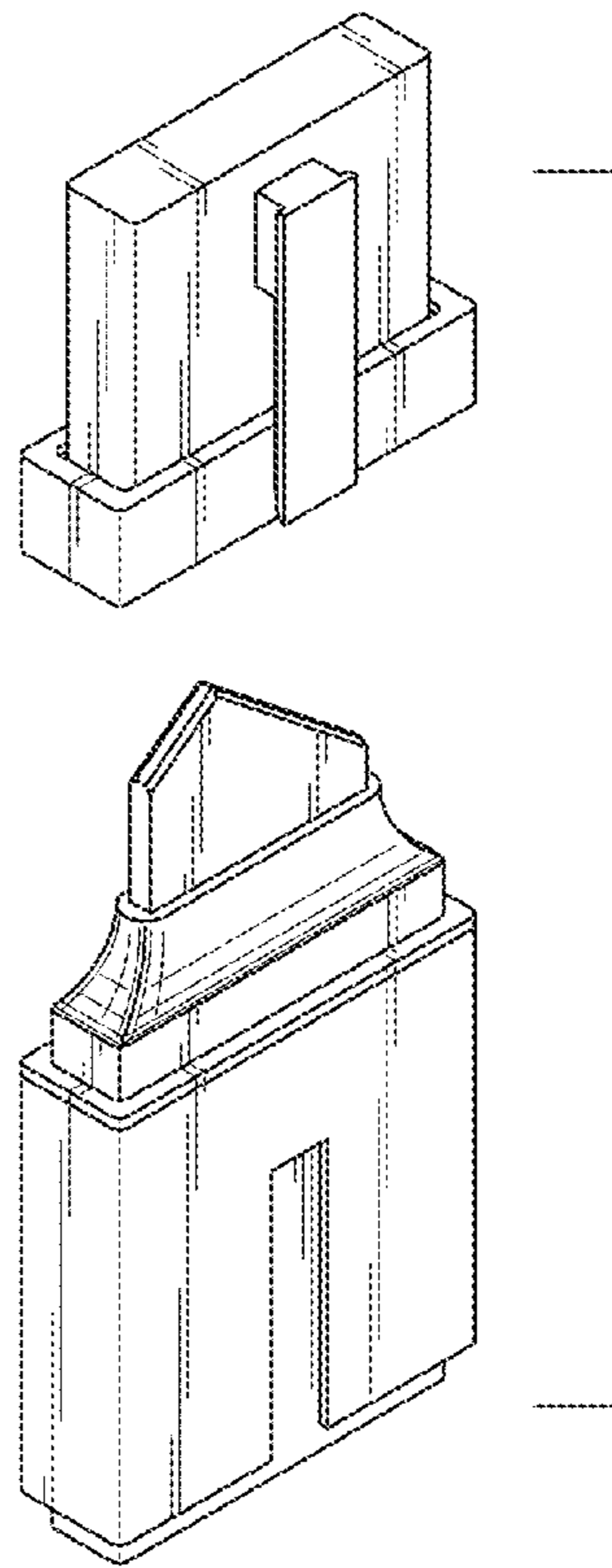


FIG. 8