



US00D669525S

(12) **United States Design Patent**
Bleck et al.

(10) **Patent No.:** **US D669,525 S**
(45) **Date of Patent:** **** Oct. 23, 2012**

(54) **COUNTING MACHINE**

(75) Inventors: **Frank Bleck**, Paderborn (DE); **Udo Hesselbach**, Bueren (DE); **Bernd Kruse**, Altenbeken (DE); **Gregor Pollmann**, Paderborn (DE)

(73) Assignee: **Wincore Nixdorf International GmbH** (DE)

(**) Term: **14 Years**

(21) Appl. No.: **29/417,169**

(22) Filed: **Mar. 30, 2012**

Related U.S. Application Data

(62) Division of application No. 29/408,574, filed on Dec. 14, 2011, which is a division of application No. 29/359,915, filed on Apr. 16, 2010.

(30) **Foreign Application Priority Data**

Oct. 21, 2009 (EM) 001626359

(51) **LOC (9) Cl.** **18-01**

(52) **U.S. Cl.** **D18/3.3**

(58) **Field of Classification Search** D18/3.1, D18/3.2, 3.3, 12, 12.1, 12.2, 12.3, 46, 47, D18/48, 49, 4.1-4.6; D99/28, 34, 35, 36, D99/43, 99; 209/534; 382/135, 136, 137, 382/138; 235/2, 3, 379, 380; 101/2, 3.1, 101/4, 5

See application file for complete search history.

(56) **References Cited**

U.S. PATENT DOCUMENTS

2,429,159 A 10/1947 Hayes
3,948,376 A 4/1976 Roman
3,976,198 A 8/1976 Carnes et al.
D258,890 S 4/1981 Uchida
D259,641 S 6/1981 Uchida
4,398,088 A 8/1983 Hirose et al.

D279,577 S 7/1985 Kajita
D279,790 S 7/1985 Kajita
D282,307 S 1/1986 Nishida
4,694,963 A 9/1987 Takesako
D295,569 S 5/1988 Nishida
D432,159 S 10/2000 Mallory
D445,124 S 7/2001 Naito
D447,164 S 8/2001 Forslund
D448,040 S 9/2001 Forslund
D454,421 S 3/2002 Jeon et al.
D457,554 S 5/2002 Takagi et al.
6,459,806 B1 10/2002 Raterman et al.
6,493,461 B1 12/2002 Mennie et al.
D477,015 S 7/2003 Kuwada
D477,350 S 7/2003 Gonzalez
D477,902 S 7/2003 Bergeron et al.

(Continued)

OTHER PUBLICATIONS

Wincor Nixdorf GmbH & Co. KG, "ProCash TCM", Automated Teller Safe, Feb. 2000.

(Continued)

Primary Examiner — Elizabeth J Oswecki

(74) *Attorney, Agent, or Firm* — Harness, Dickey & Pierce, P.L.C.

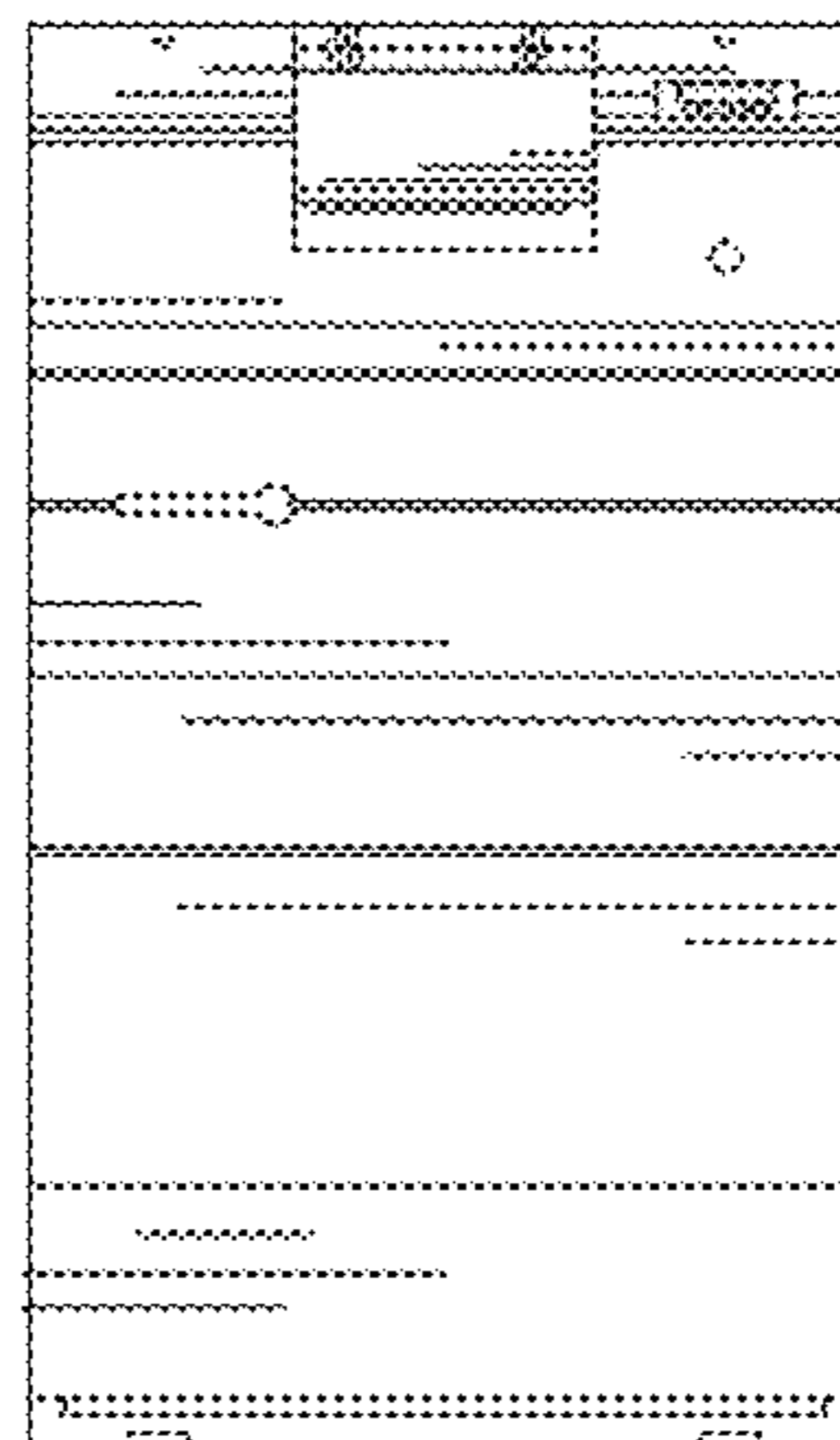
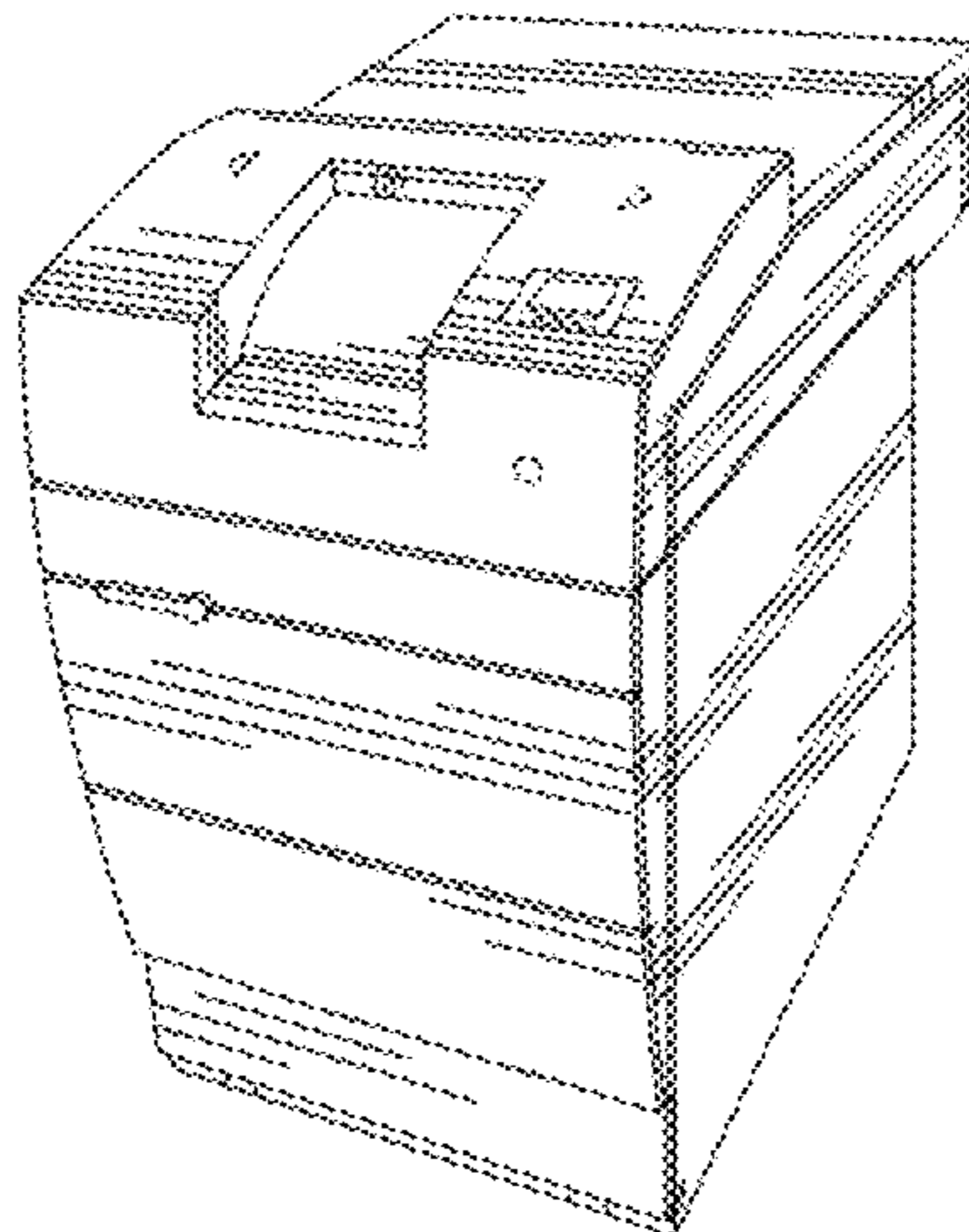
(57) **CLAIM**

The ornamental design for a counting machine, as shown and described.

DESCRIPTION

FIG. 1 is a perspective view of a counting machine showing our new design;
FIG. 2 is a front view thereof;
FIG. 3 is a left side view thereof, the right side view is a mirror image of the left side view;
FIG. 4 is a top view thereof;
FIG. 5 is a bottom view thereof; and,
FIG. 6 is a rear view thereof.
In the drawings, the broken lines depict portions of the design that form no part of the claim.

1 Claim, 3 Drawing Sheets



US D669,525 S

Page 2

U.S. PATENT DOCUMENTS

6,628,816 B2 9/2003 Mennie et al.
6,636,624 B2 10/2003 Raterman et al.
D483,057 S 12/2003 Bergeron et al.
D490,101 S 5/2004 Bergeron et al.
D490,839 S 6/2004 Bergeron et al.
6,864,990 B1 3/2005 Nickerson et al.
6,913,130 B1 7/2005 Mazur et al.
6,980,684 B1 12/2005 Munro et al.
D560,711 S * 1/2008 Robinson et al. D18/3.3
D562,377 S * 2/2008 Kuroda D18/3.3
D574,417 S 8/2008 Gaze et al.
D574,418 S 8/2008 Gaze et al.
D574,419 S 8/2008 Gaze et al.
D574,420 S 8/2008 Gaze et al.
D574,421 S 8/2008 Gaze et al.
D574,422 S 8/2008 Gaze et al.
D579,481 S 10/2008 Gaze et al.
D579,482 S 10/2008 Gaze et al.

D582,471 S * 12/2008 Stoddart et al. D18/47
D590,870 S * 4/2009 Kuwada D18/3.3
7,551,764 B2 * 6/2009 Chiles et al. 382/135
D618,875 S * 6/2010 Tougo et al. D99/28
7,726,457 B2 * 6/2010 Maier et al. 194/206
7,817,842 B2 * 10/2010 Mennie 382/137
D644,682 S 9/2011 Gerlier et al.
D646,711 S * 10/2011 Funato D18/3.3
D650,007 S * 12/2011 Inage et al. D18/3.3
D657,815 S * 4/2012 Iwakami D18/3.3
2002/0056605 A1 * 5/2002 Mazur et al. 194/207
2005/0035034 A1 2/2005 Long et al.

OTHER PUBLICATIONS

Wincor Nixdorf GmbH & Co. KG, "ProCash BBA Mini", Automated Teller Safe, Feb. 2000.

* cited by examiner

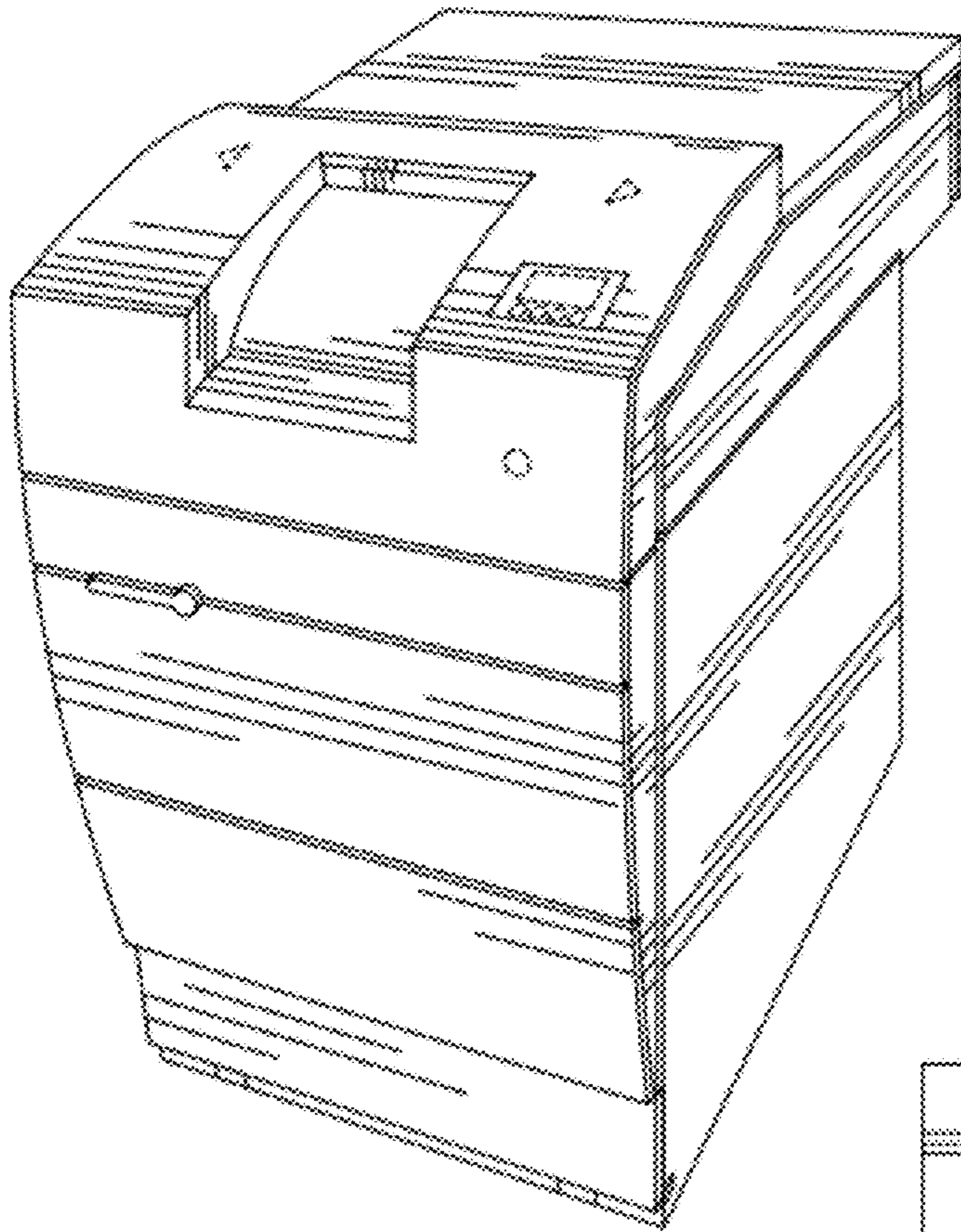


FIG. 1

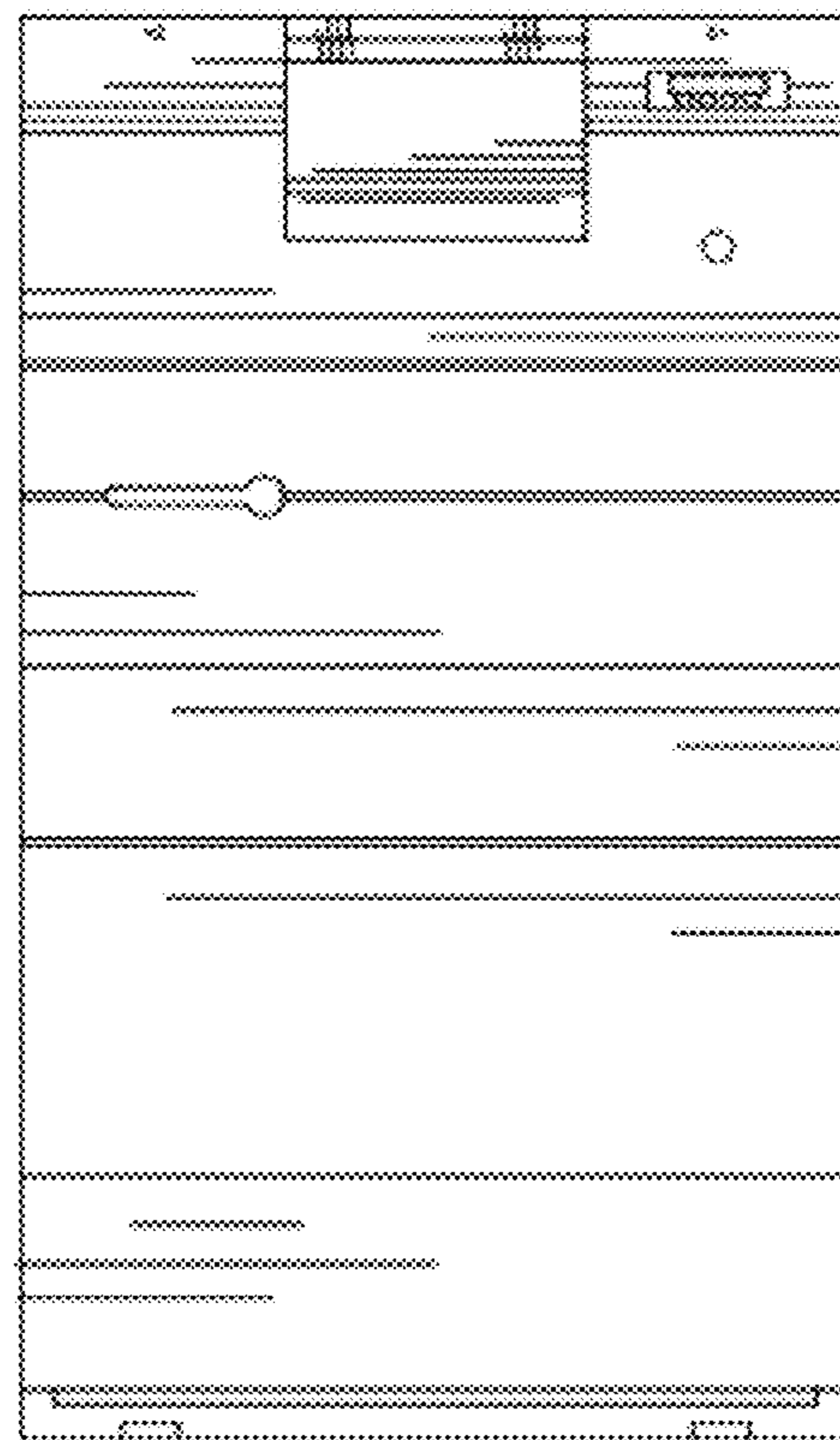


FIG. 2

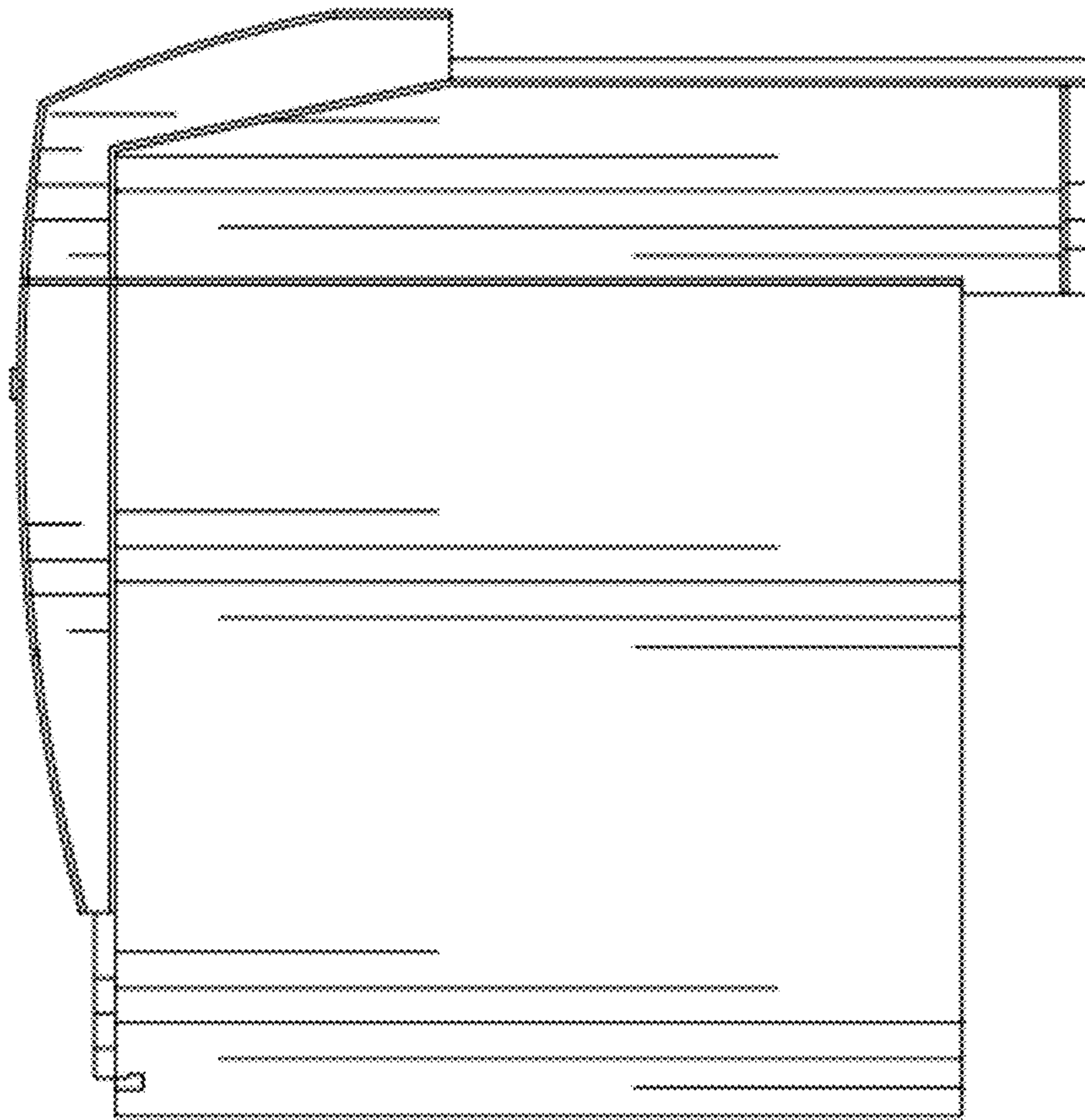


FIG. 3

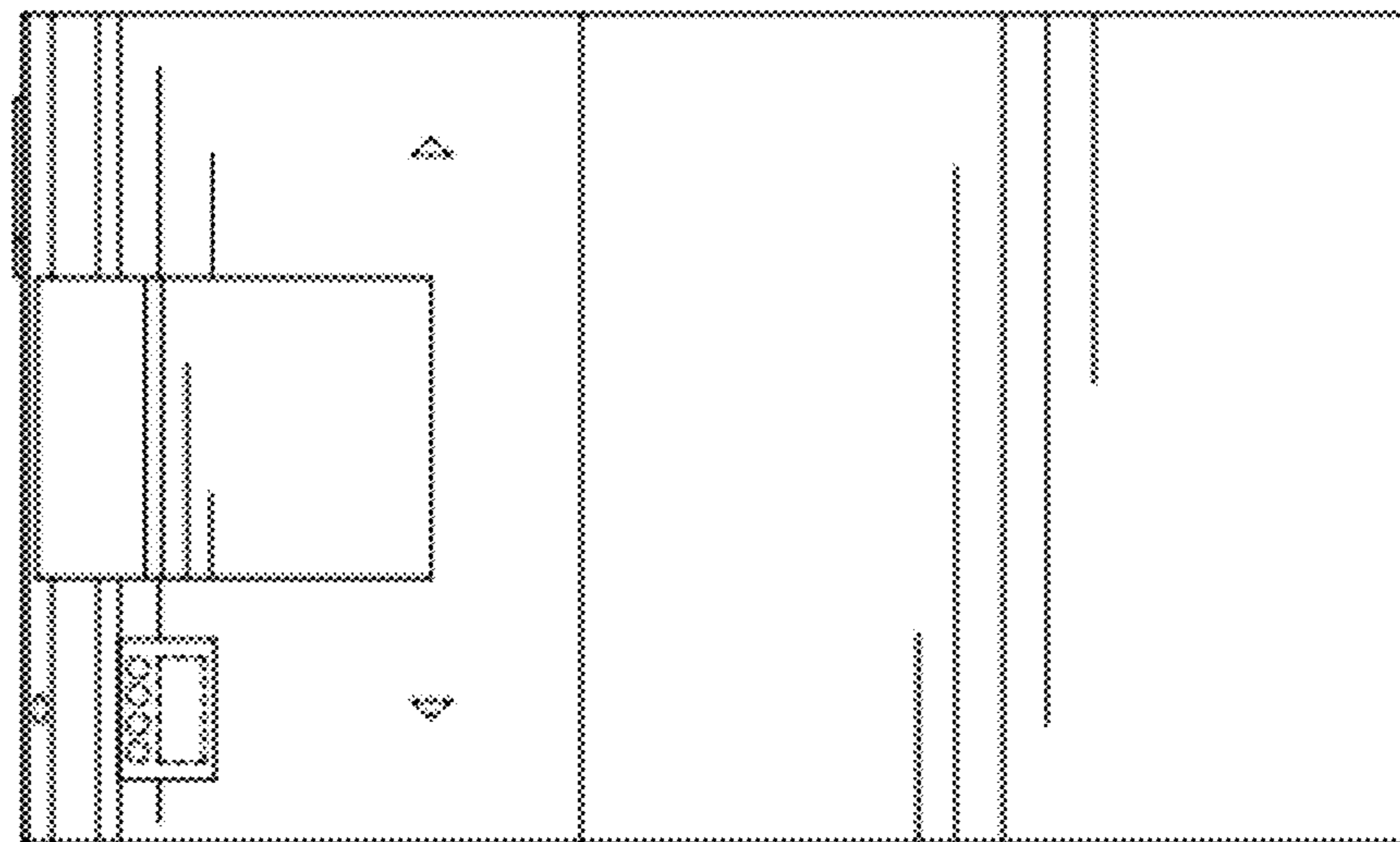


FIG. 4

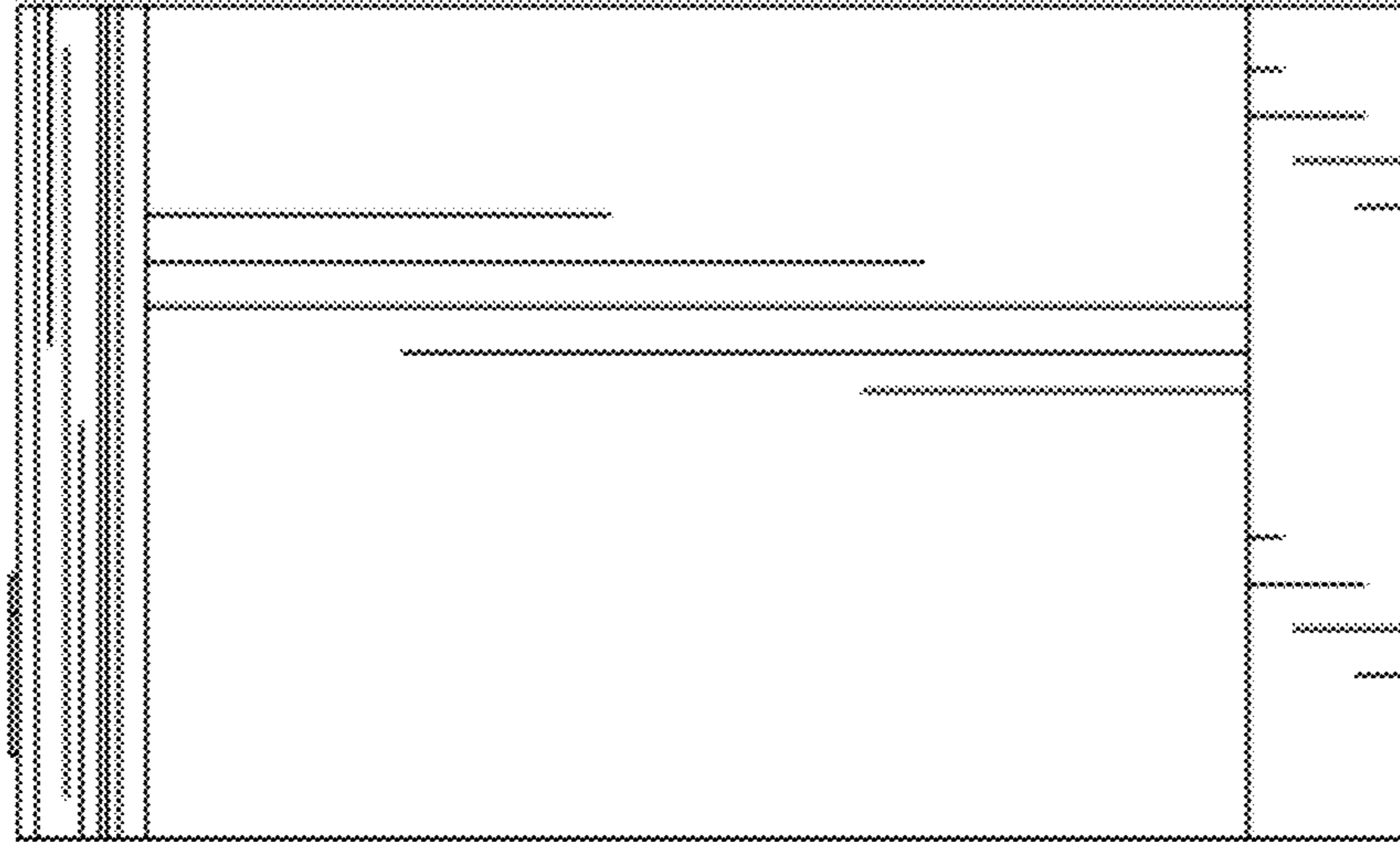


FIG. 5

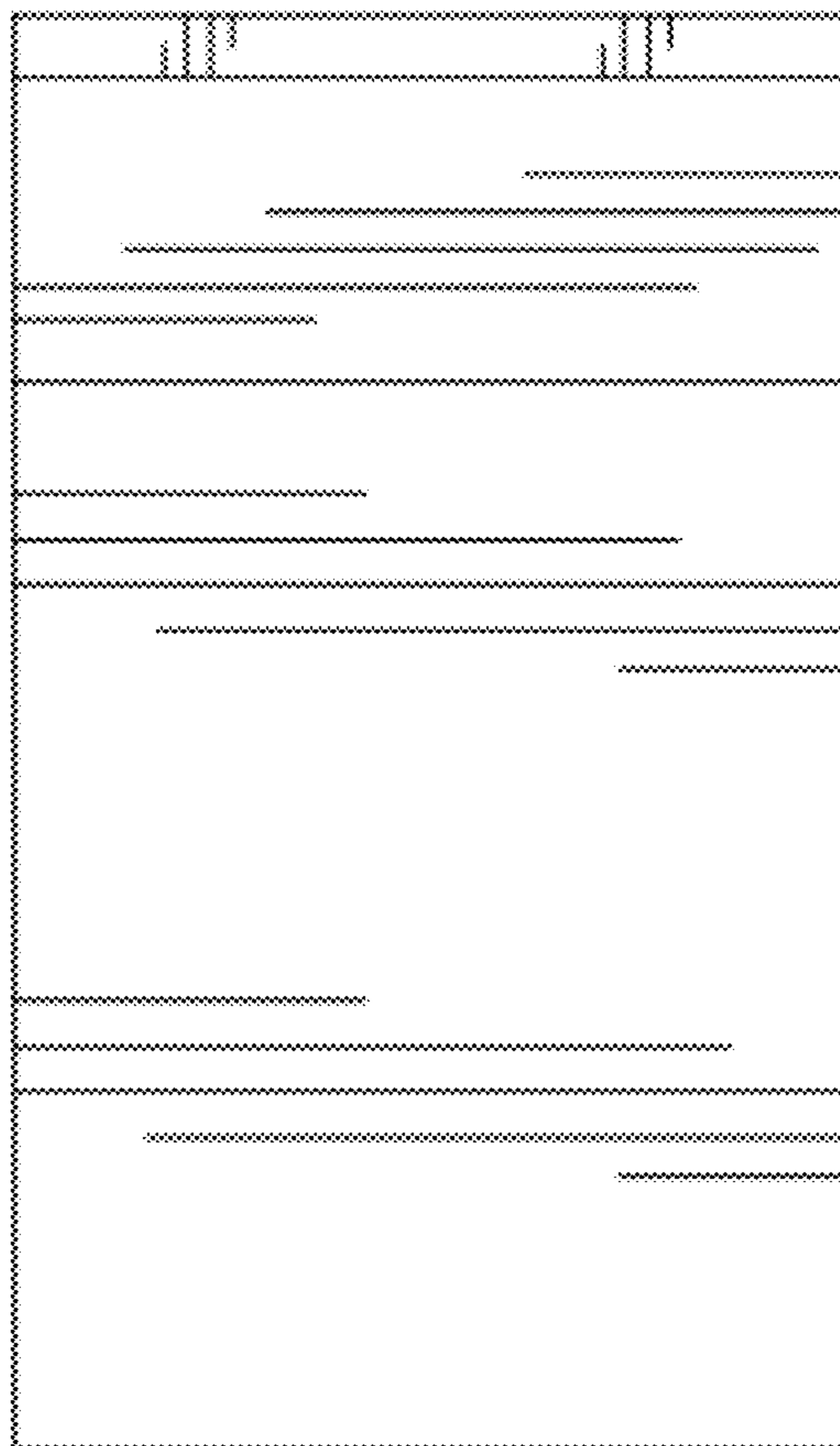


FIG. 6