

US00D669524S

(12) **United States Design Patent**
Keller

(10) **Patent No.:** **US D669,524 S**
(45) **Date of Patent:** **** Oct. 23, 2012**

(54) **TRUMPET BELL**

(75) Inventor: **Andreas Keller**, Lachen (CH)

(73) Assignee: **Dacarbo AG**, Lachen (CH)

(**) Term: **14 Years**

(21) Appl. No.: **29/388,748**

(22) Filed: **Apr. 1, 2011**

(30) **Foreign Application Priority Data**

Oct. 10, 2010 (WO) DM074593

(51) **LOC (9) Cl.** **17-02**

(52) **U.S. Cl.** **D17/13**

(58) **Field of Classification Search** D17/10,
D17/11, 13; D21/405, 411; 84/387 R, 388,
84/389, 392, 394, 393, 398

See application file for complete search history.

(56) **References Cited**

U.S. PATENT DOCUMENTS

D45,483 S * 3/1914 Pepper D17/11
D46,501 S * 10/1914 Holton D17/11
D48,319 S * 12/1915 Higgins D17/11
D52,207 S * 7/1918 Couturier D17/11
D52,473 S * 9/1918 Couturier D17/11

D114,960 S * 5/1939 Nielsen D10/120
D119,755 S * 4/1940 Johnson D17/11
D175,425 S * 8/1955 Maher D17/11
D407,100 S * 3/1999 Marcinkiewicz D17/11
D439,270 S * 3/2001 Marcinkiewicz D17/13
D645,099 S * 9/2011 Kelly et al. D21/411

* cited by examiner

Primary Examiner — Ian Simmons

Assistant Examiner — Carissa C Fitts

(74) *Attorney, Agent, or Firm* — Pearne & Gordon LLP

(57) **CLAIM**

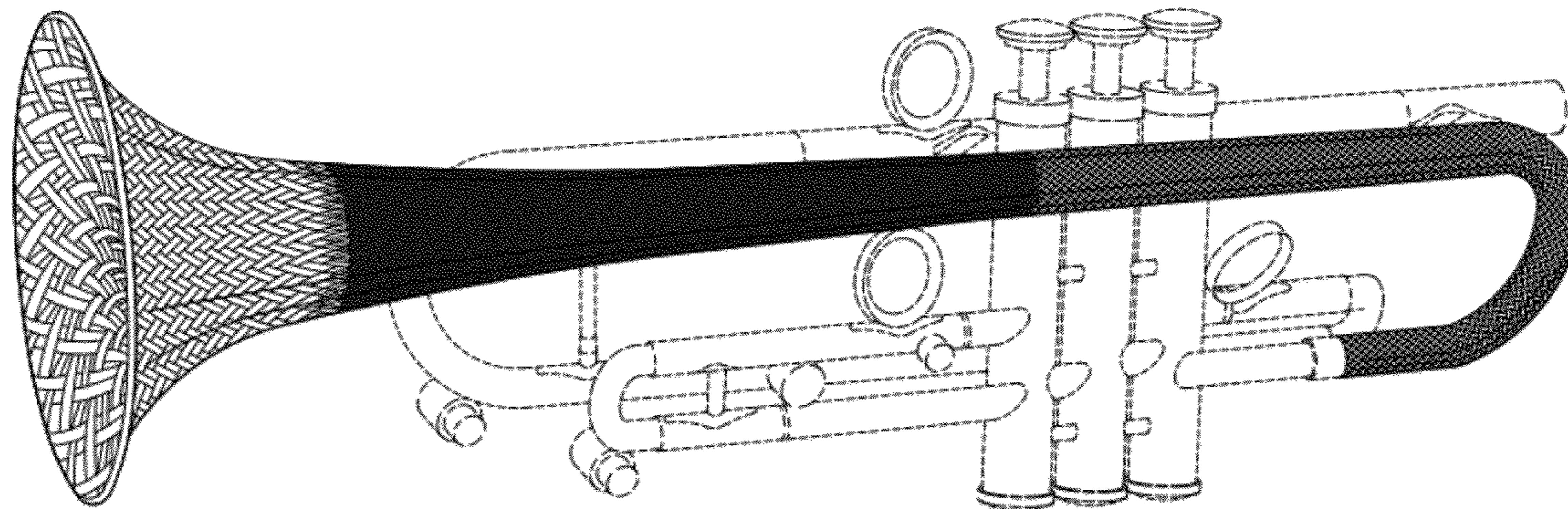
The ornamental design for a trumpet bell, as shown and described.

DESCRIPTION

FIG. 1 is a perspective view of my new invention;
FIG. 2 is a left side view thereof;
FIG. 3 is a right side view thereof;
FIG. 4 is a top view thereof;
FIG. 5 is a front view thereof;
FIG. 6 is a rear view thereof; and,
FIG. 7 is a bottom view thereof.

The trumpet body shown in broken lines is provided for illustrative purposes only and forms no part of the claimed design.

1 Claim, 3 Drawing Sheets



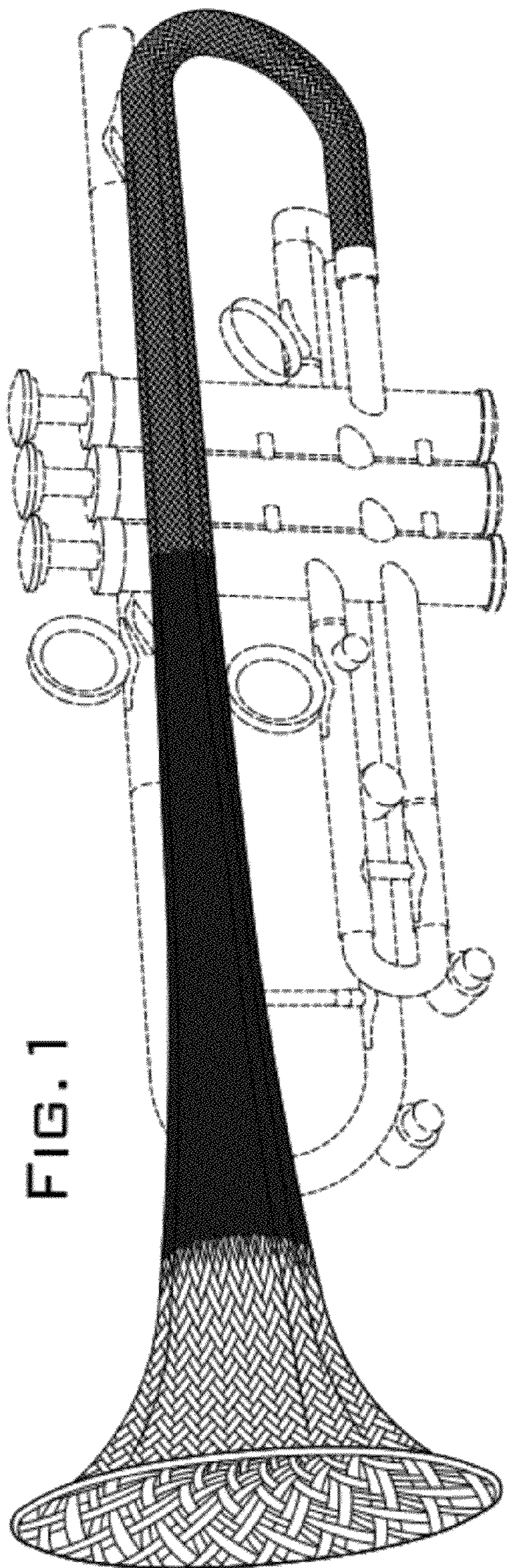


FIG. 1

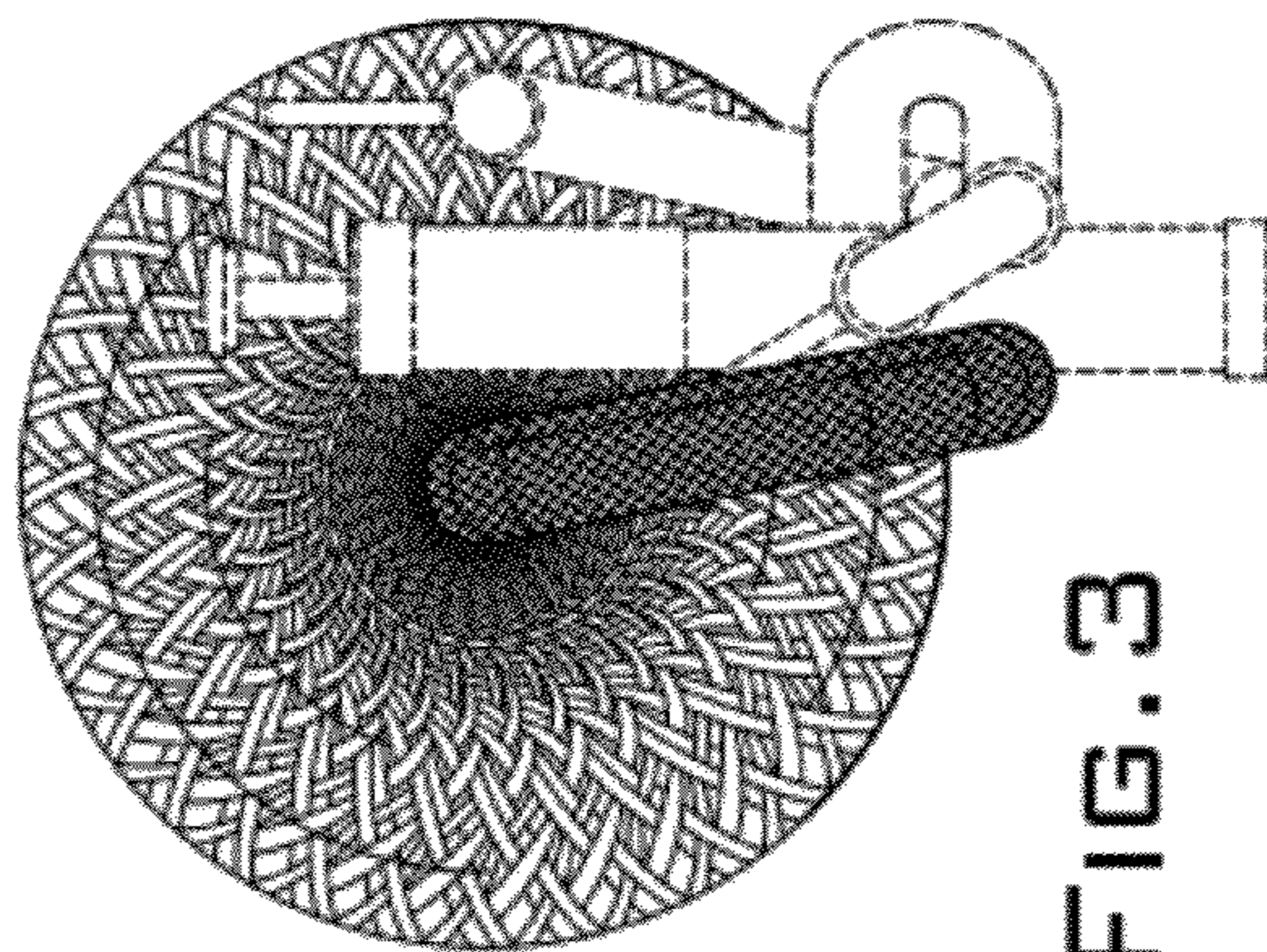


FIG. 3

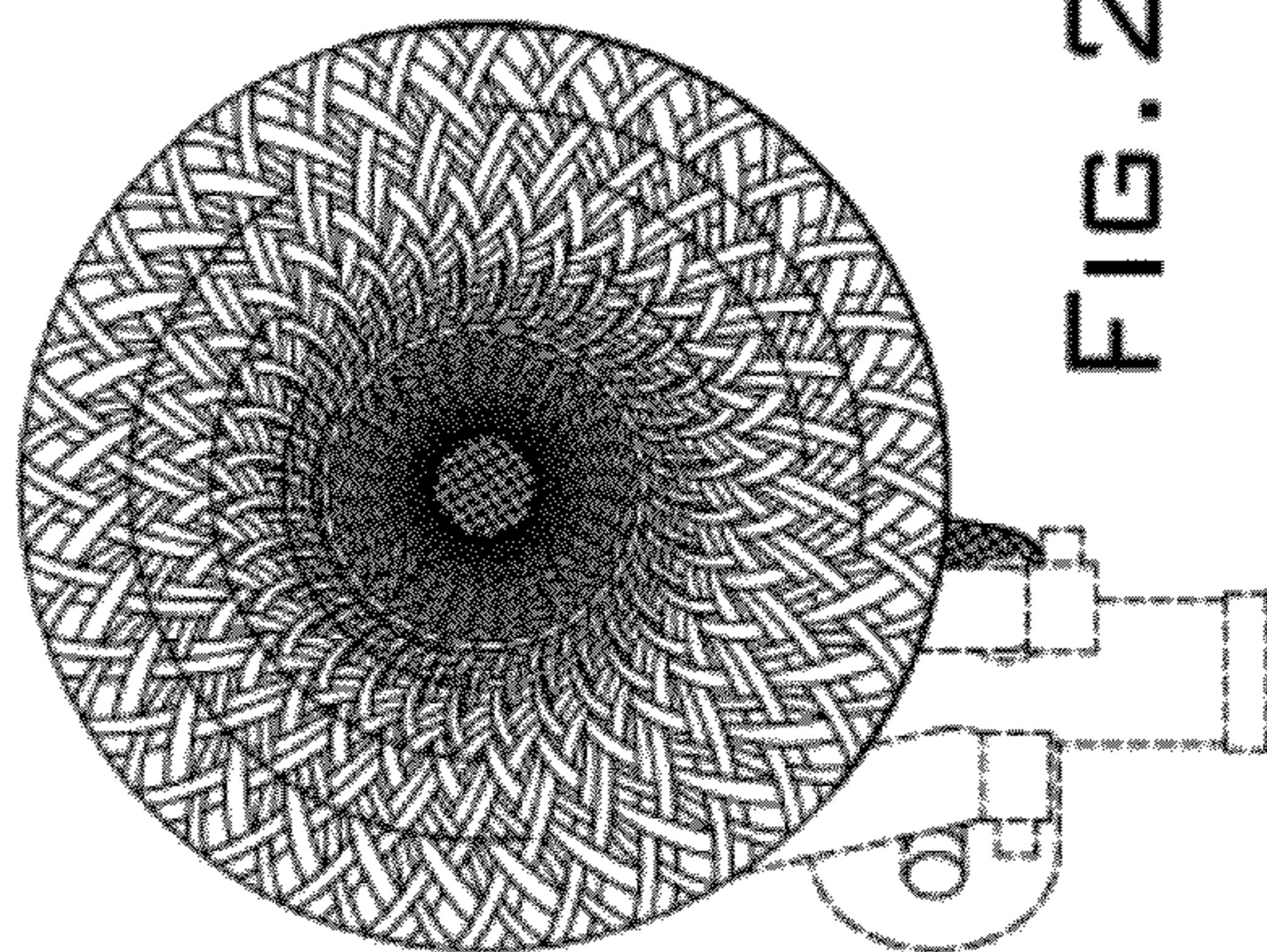
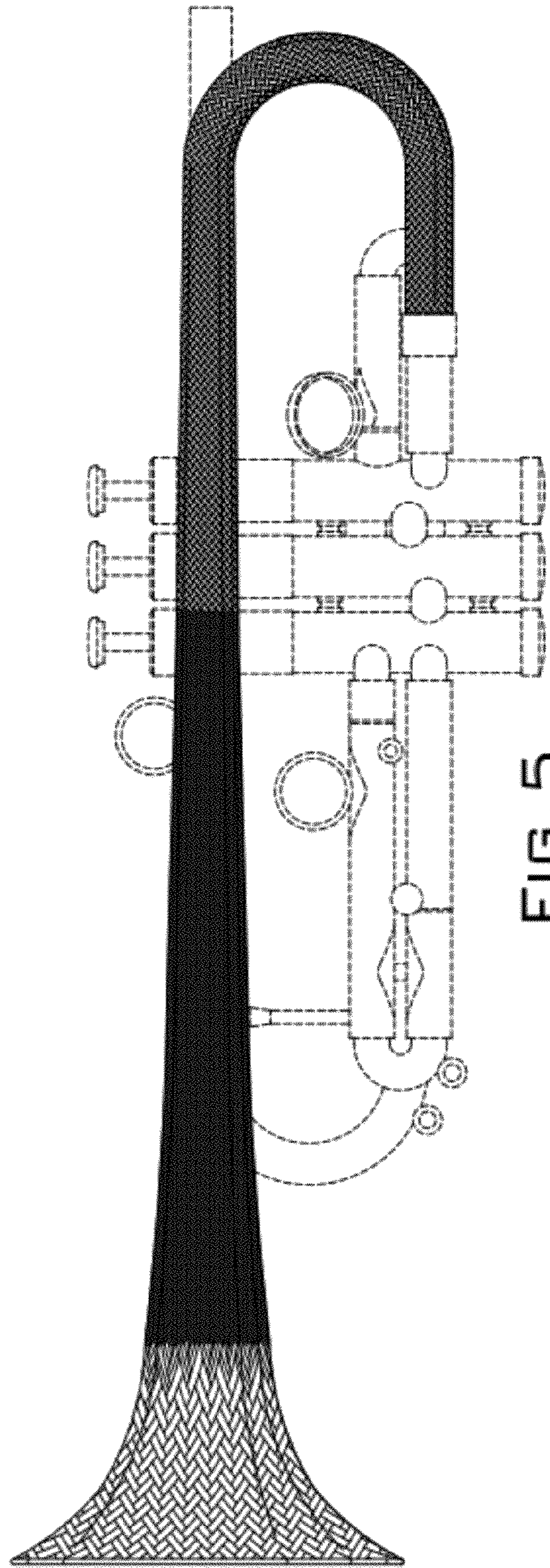
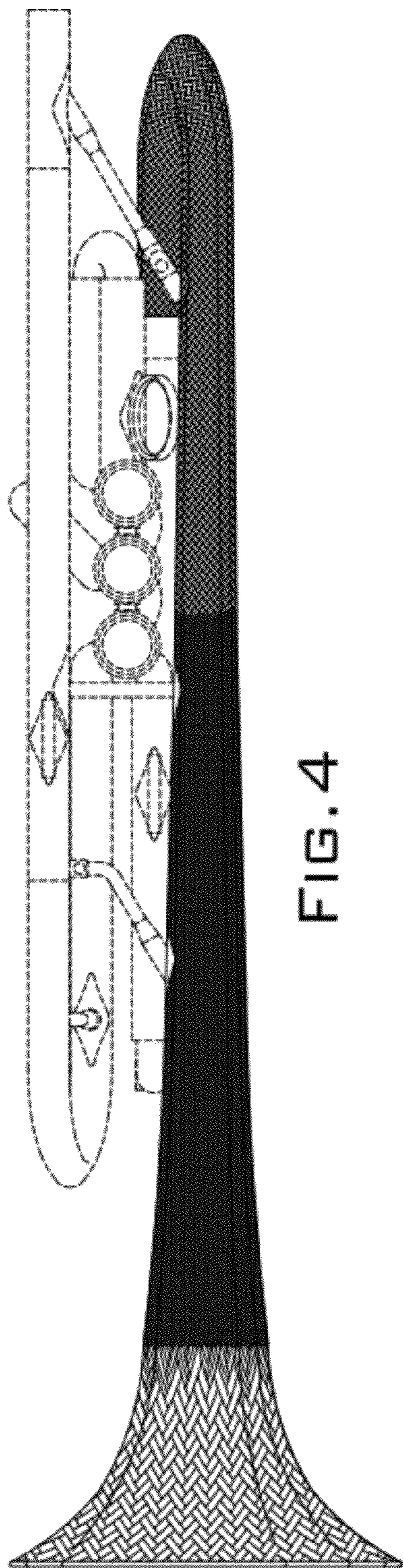


FIG. 2



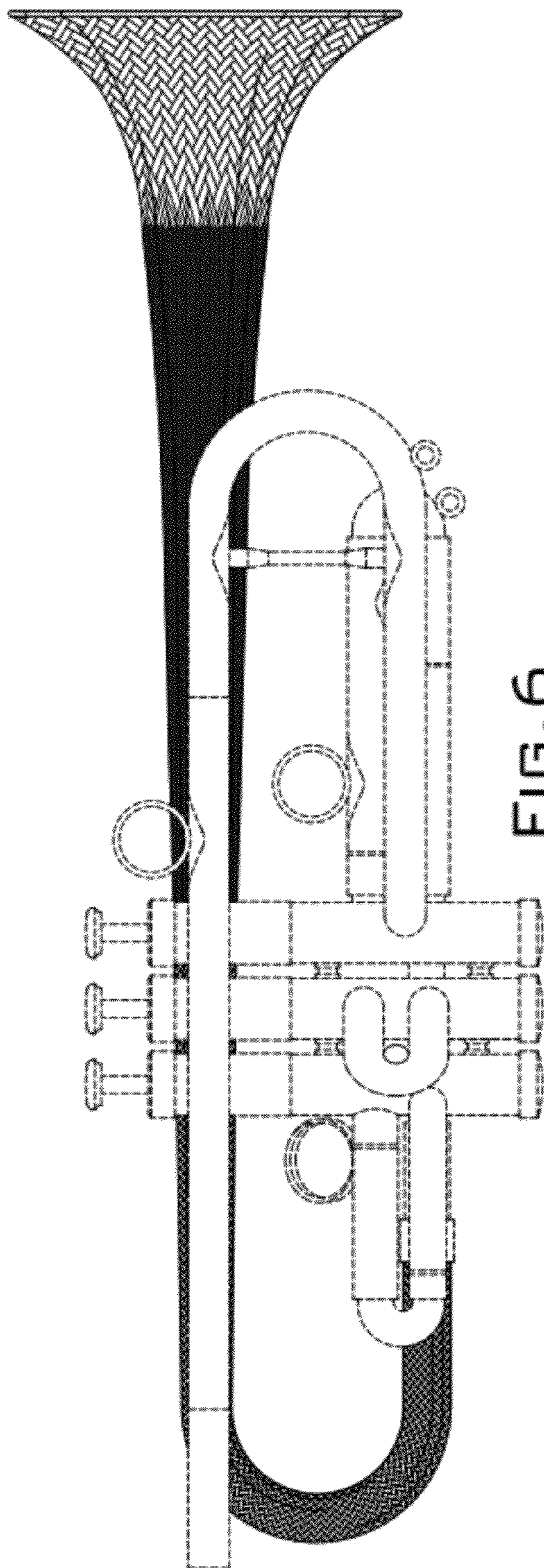


FIG. 6

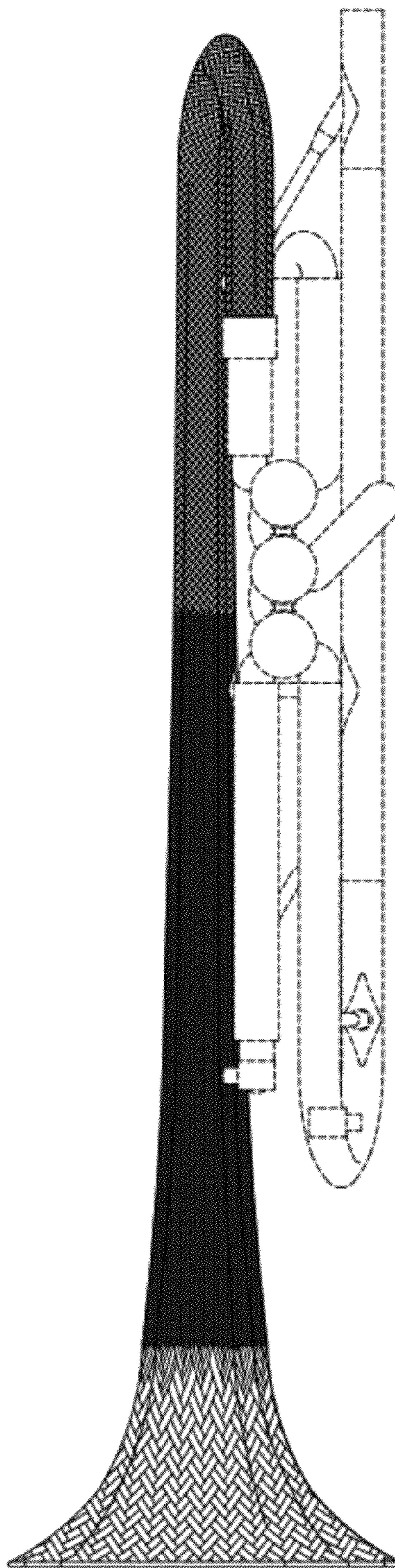


FIG. 7