

US00D669521S

(12) **United States Design Patent**  
**Lin**

(10) **Patent No.:** **US D669,521 S**  
(45) **Date of Patent:** **\*\* Oct. 23, 2012**

(54) **PROJECTOR**

(75) Inventor: **Cheng-Yu Lin**, Taoyuan Hsien (TW)

(73) Assignee: **Delta Electronics, Inc.** (TW)

(\*\*) Term: **14 Years**

(21) Appl. No.: **29/390,795**

(22) Filed: **Apr. 29, 2011**

(30) **Foreign Application Priority Data**

Nov. 1, 2010 (TW) ..... 99305573

(51) **LOC (9) Cl.** ..... **16-02**

(52) **U.S. Cl.** ..... **D16/230; D16/225**

(58) **Field of Classification Search** ..... D16/205,  
D16/208, 221, 225, 230-231, 234; D21/514;  
353/115, 119, 122

See application file for complete search history.

(56) **References Cited**

**U.S. PATENT DOCUMENTS**

6,886,948	B2 *	5/2005	Nakano	.....	353/119
D554,173	S *	10/2007	Naruki	.....	D16/230
D555,696	S *	11/2007	Naruki	.....	D16/230
D556,237	S *	11/2007	On et al.	.....	D16/231
D564,565	S *	3/2008	Oota et al.	.....	D16/230
D588,619	S *	3/2009	Kawabe et al.	.....	D16/230
D588,620	S *	3/2009	Kawabe et al.	.....	D16/230
D600,735	S	9/2009	Chigira et al.		
D602,061	S	10/2009	Tatara et al.		
D631,080	S *	1/2011	Han	.....	D16/225
2011/0279784	A1 *	11/2011	Okoshi	.....	353/119

**FOREIGN PATENT DOCUMENTS**

TW	D126879	1/2009
TW	D132167 S1	11/2009

**OTHER PUBLICATIONS**

Office Action for Taiwanese Application No. 10021142340, mailed Dec. 21, 2011, with partial English translation.

\* cited by examiner

*Primary Examiner* — Wan Laymon

(74) *Attorney, Agent, or Firm* — Cantor Colburn LLP

(57) **CLAIM**

The ornamental design for a projector, as shown and described.

**DESCRIPTION**

FIG. 1 is a perspective view of an embodiment showing the claimed design;

FIG. 2 is a front elevational view of FIG. 1;

FIG. 3 is a rear elevational view of FIG. 1;

FIG. 4 is a left side elevational view of FIG. 1;

FIG. 5 is a right side elevational view of FIG. 1;

FIG. 6 is a top plan view of FIG. 1;

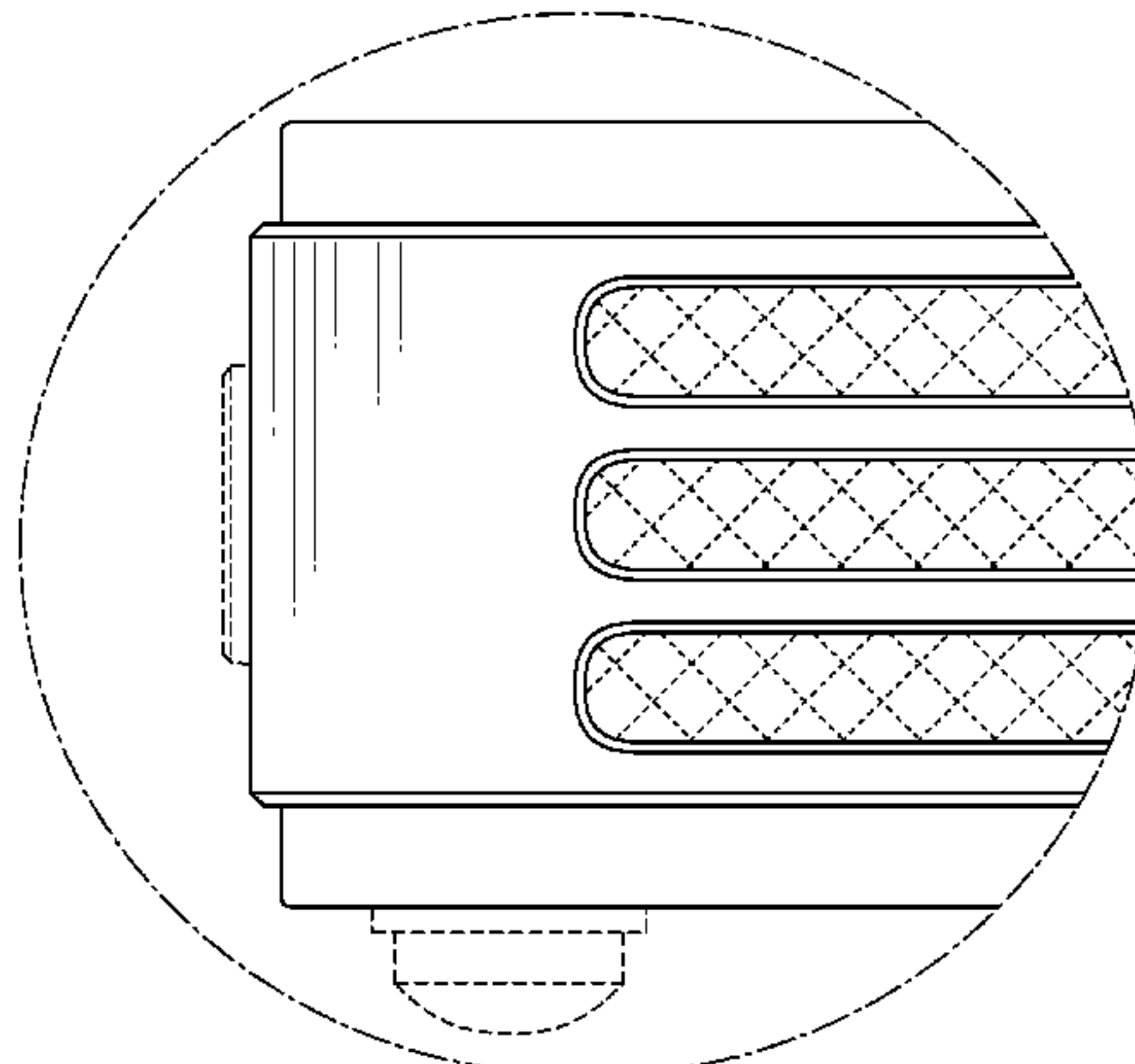
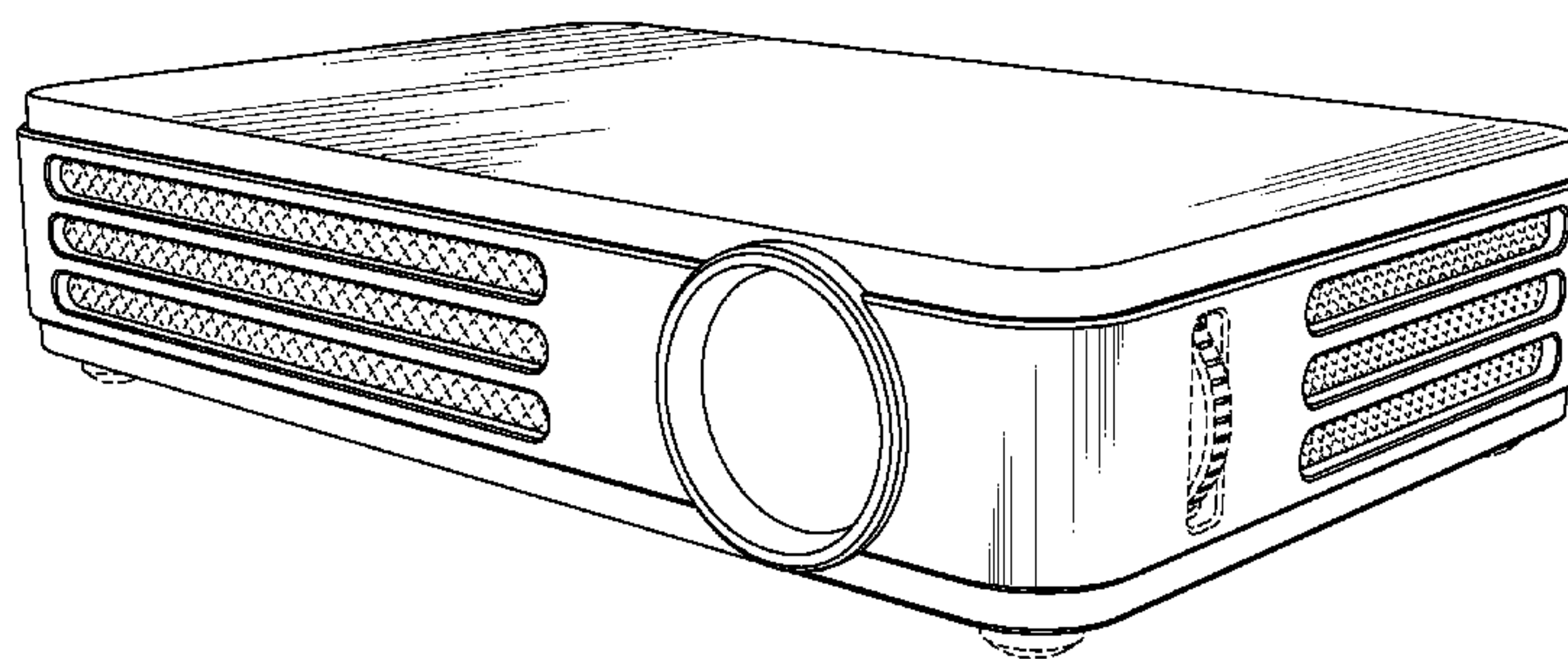
FIG. 7 is a bottom plan view of FIG. 1;

FIG. 8 is an enlarged view of the local portion labeled as “8” in FIG. 2; and,

FIG. 9 is an enlarged view of the local portion labeled as “9” in FIG. 5.

The broken lines shown in the figures represent portions of the projector that form no part of the claimed design.

**1 Claim, 9 Drawing Sheets**



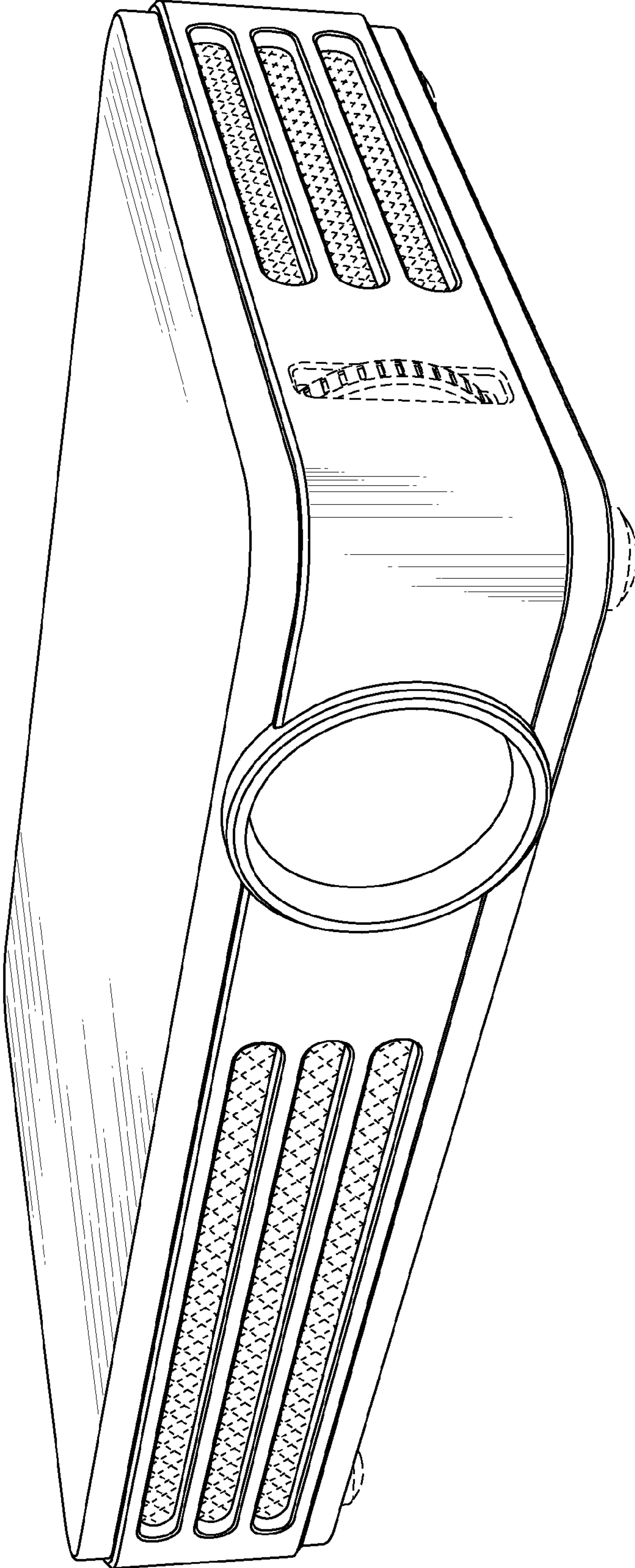


FIG.1

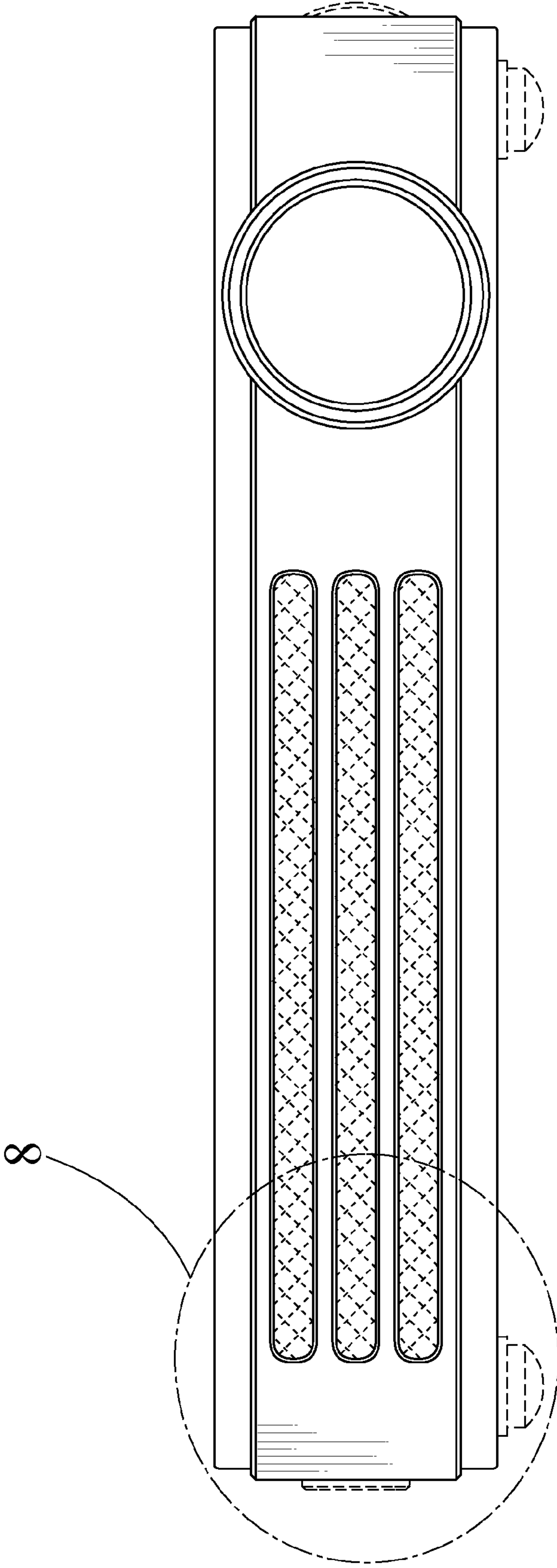


FIG.2

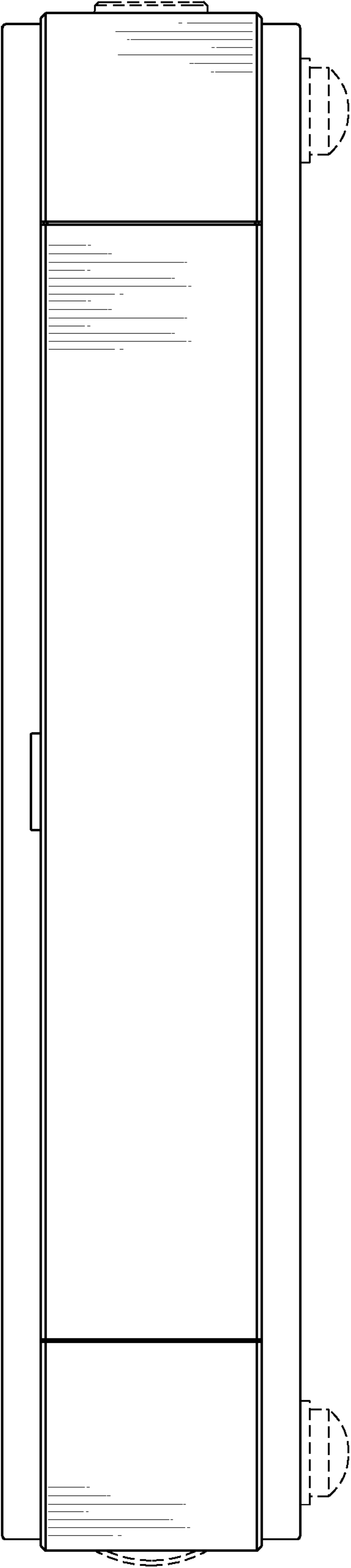


FIG.3

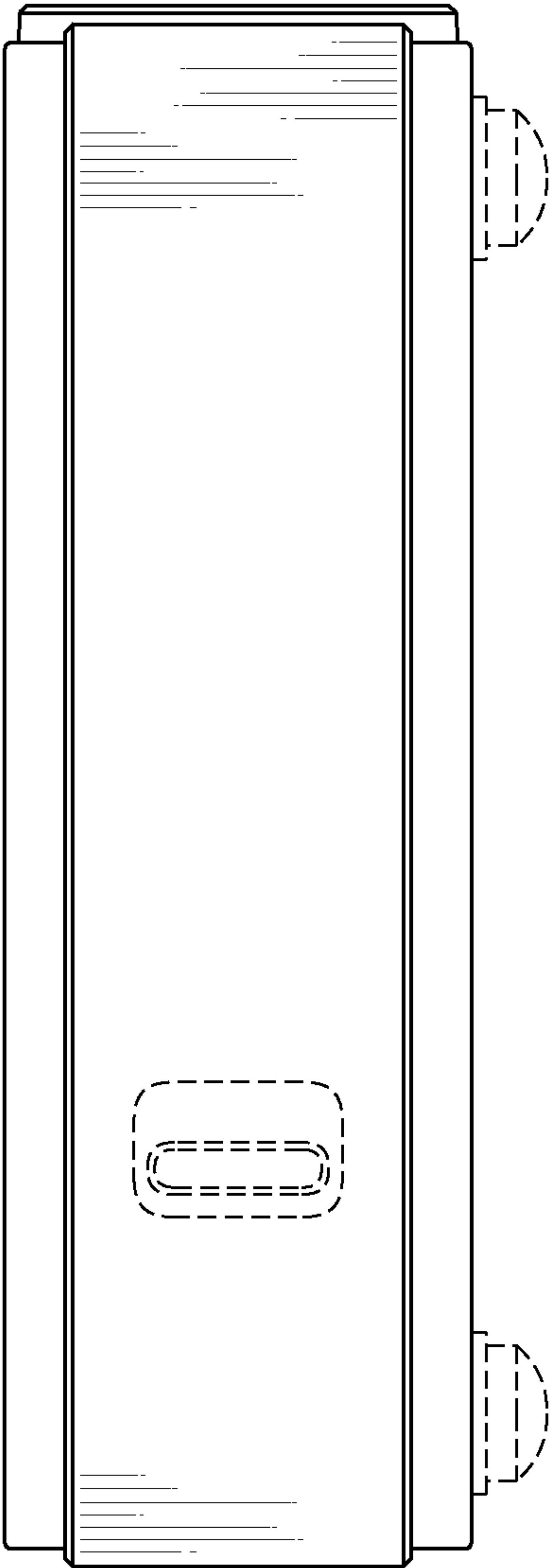


FIG.4

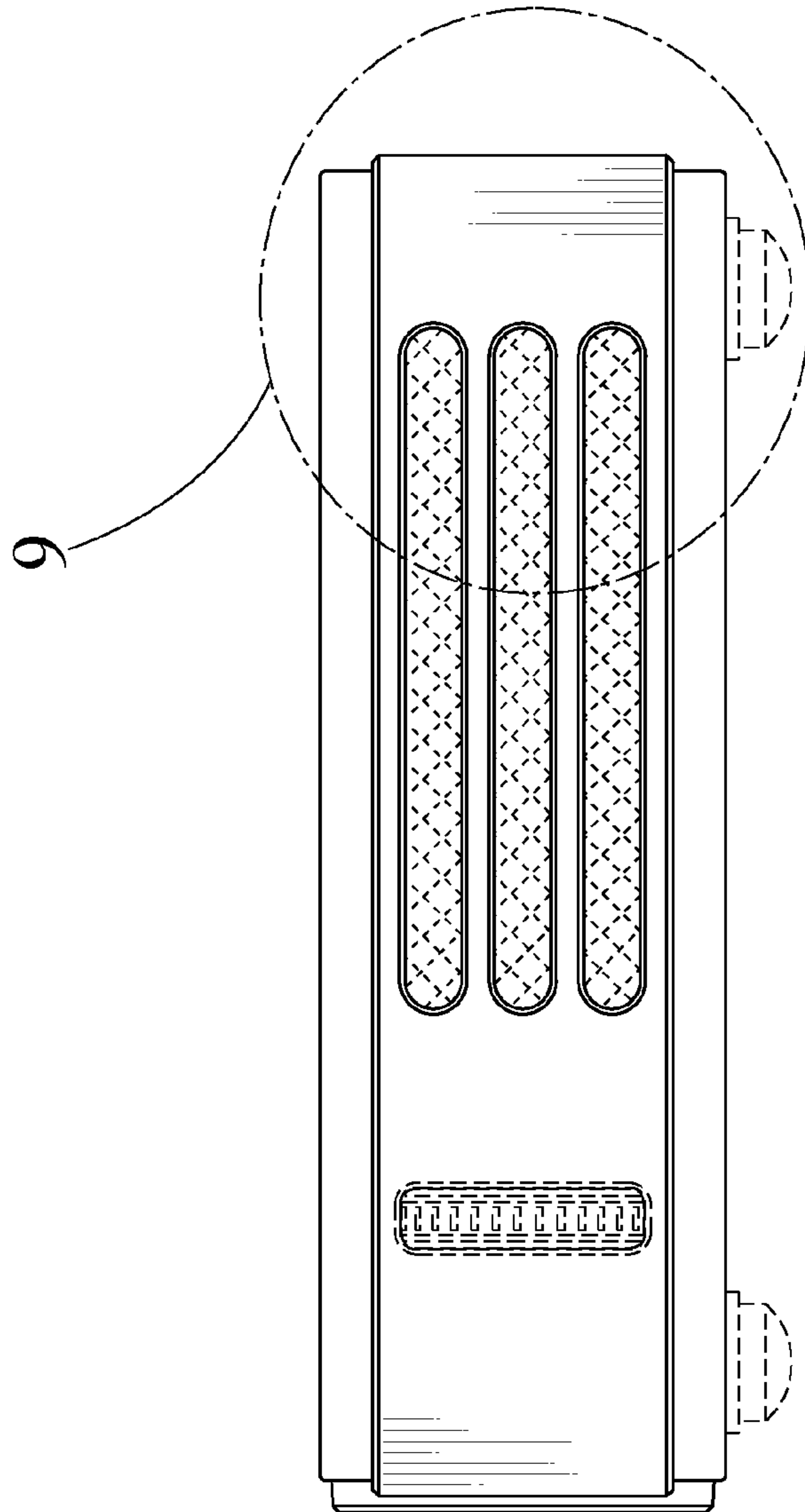


FIG. 5

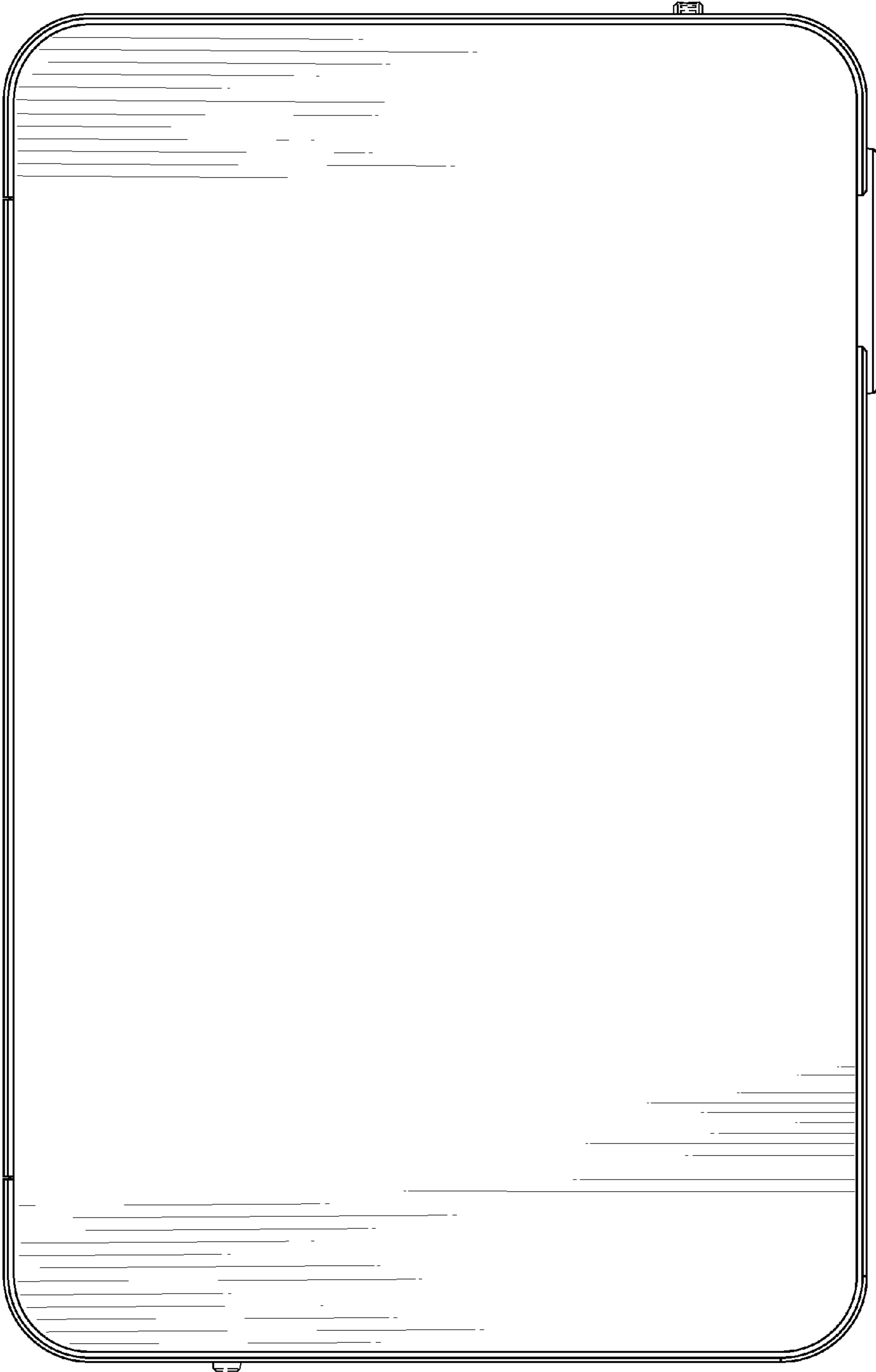


FIG.6



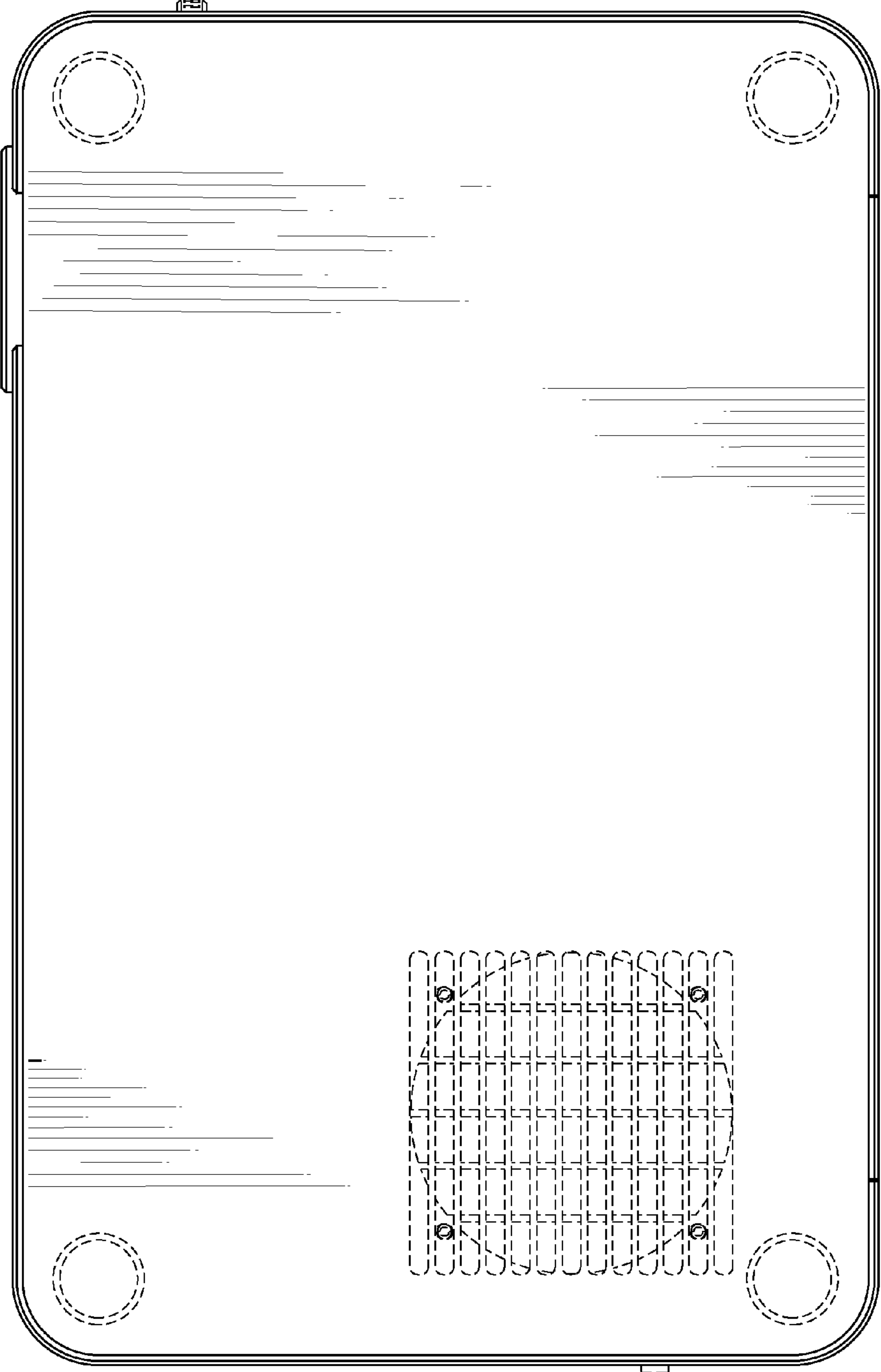


FIG.7



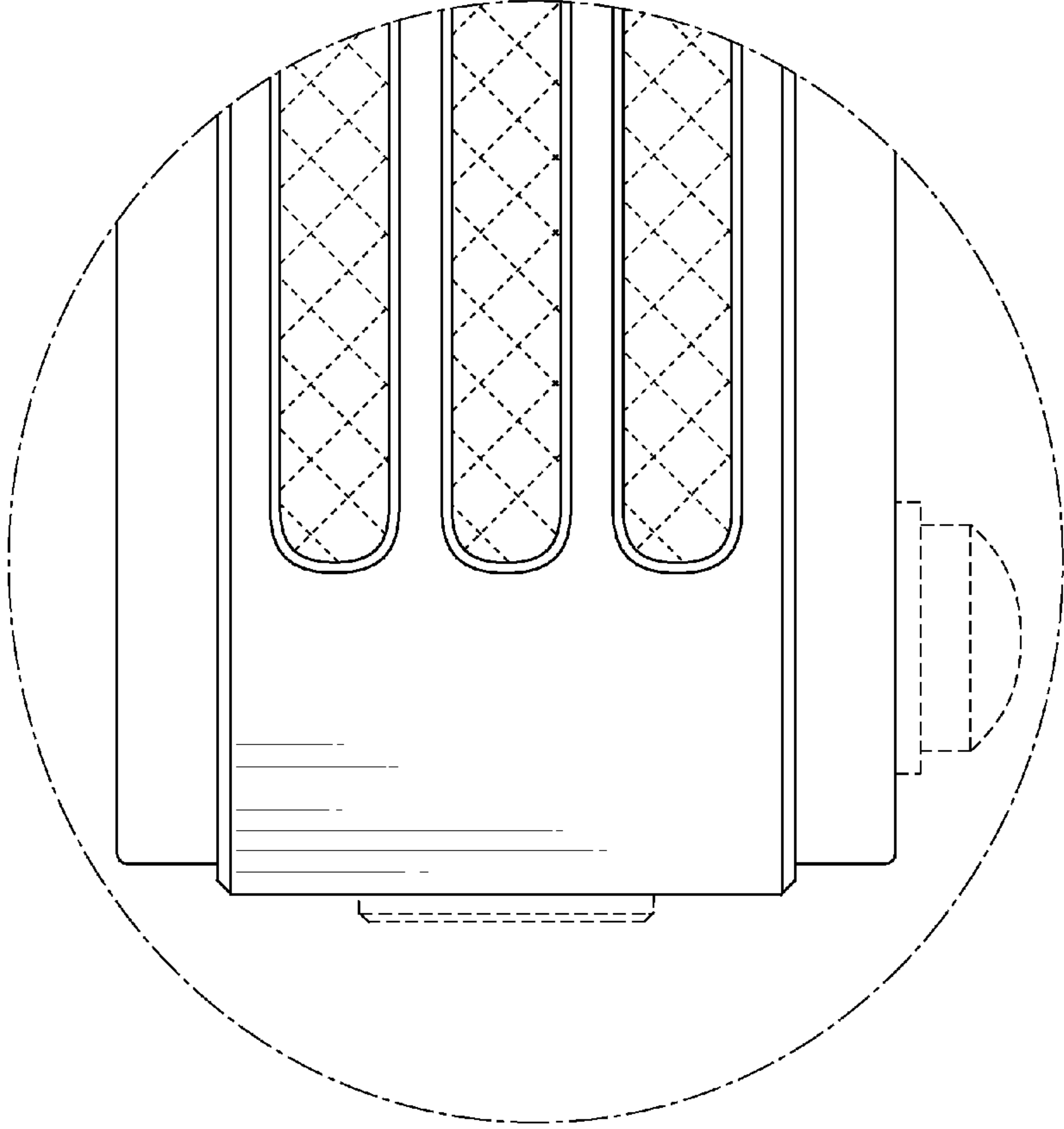


FIG.8

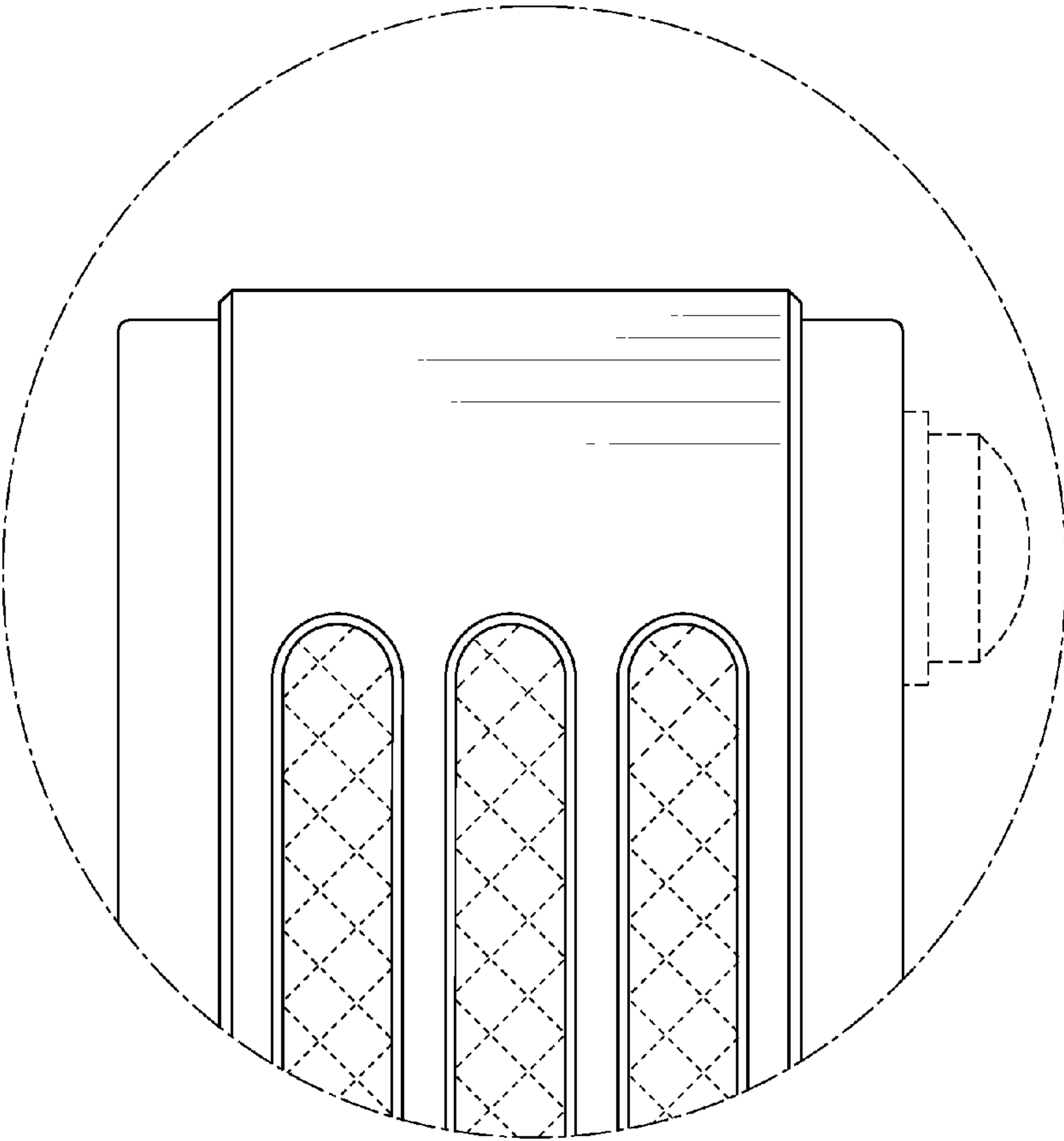


FIG.9