



US00D669520S

(12) **United States Design Patent**
Asano et al.

(10) **Patent No.:** **US D669,520 S**
(45) **Date of Patent:** **** Oct. 23, 2012**

(54) **DIGITAL CAMERA**

(75) Inventors: **Hideaki Asano**, Chiba (JP); **Masaaki Yanagisawa**, Chigasaki (JP); **Arata Ono**, Odawara (JP)

(73) Assignee: **Nikon Corporation**, Tokyo (JP)

(**) Term: **14 Years**

(21) Appl. No.: **29/398,588**

(22) Filed: **Aug. 2, 2011**

(30) **Foreign Application Priority Data**

Feb. 7, 2011 (JP) 2011-002535

(51) **LOC (9) Cl.** **16-05**

(52) **U.S. Cl.** **D16/219**

(58) **Field of Classification Search** D16/200,
D16/202, 204, 205, 206, 219; 348/373-376;
358/909.1; 396/535-541, 544

See application file for complete search history.

(56) **References Cited**

U.S. PATENT DOCUMENTS

3,249,029 A * 5/1966 Wareham 396/544
D505,685 S * 5/2005 Yoshida D16/219

D534,199 S * 12/2006 Hanafusa D16/202
D550,744 S * 9/2007 Lee D16/219
D574,872 S * 8/2008 Takagi D16/206
D581,962 S * 12/2008 Takagi D16/219
D605,681 S * 12/2009 Obata D16/219

* cited by examiner

Primary Examiner — Adir Aronovich

(74) *Attorney, Agent, or Firm* — Caesar, Rivise, Bernstein, Cohen & Pokotilow, Ltd.

(57) **CLAIM**

The ornamental design for a digital camera, as shown and described.

DESCRIPTION

FIG. 1 is a front perspective view of a digital camera showing our new design;

FIG. 2 is a front elevational view thereof;

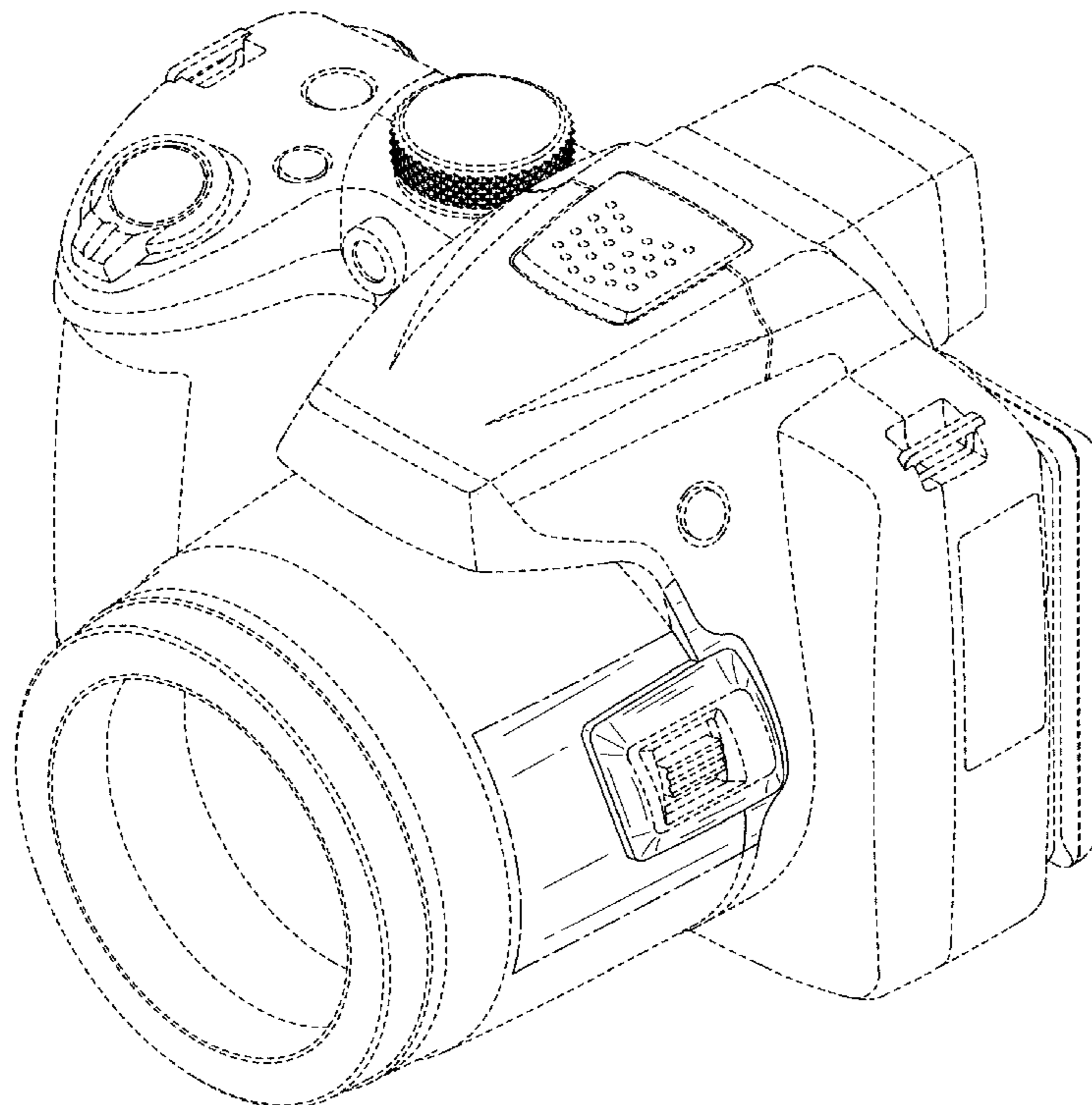
FIG. 3 is a top plan view thereof;

FIG. 4 is a bottom plan view thereof; and,

FIG. 5 is a right side elevational view thereof.

The features shown in broken lines in the drawings depict environmental subject matter only and form no part of the claimed design. The dot-dash broken lines define the boundaries of the claimed design but form no part thereof.

1 Claim, 5 Drawing Sheets



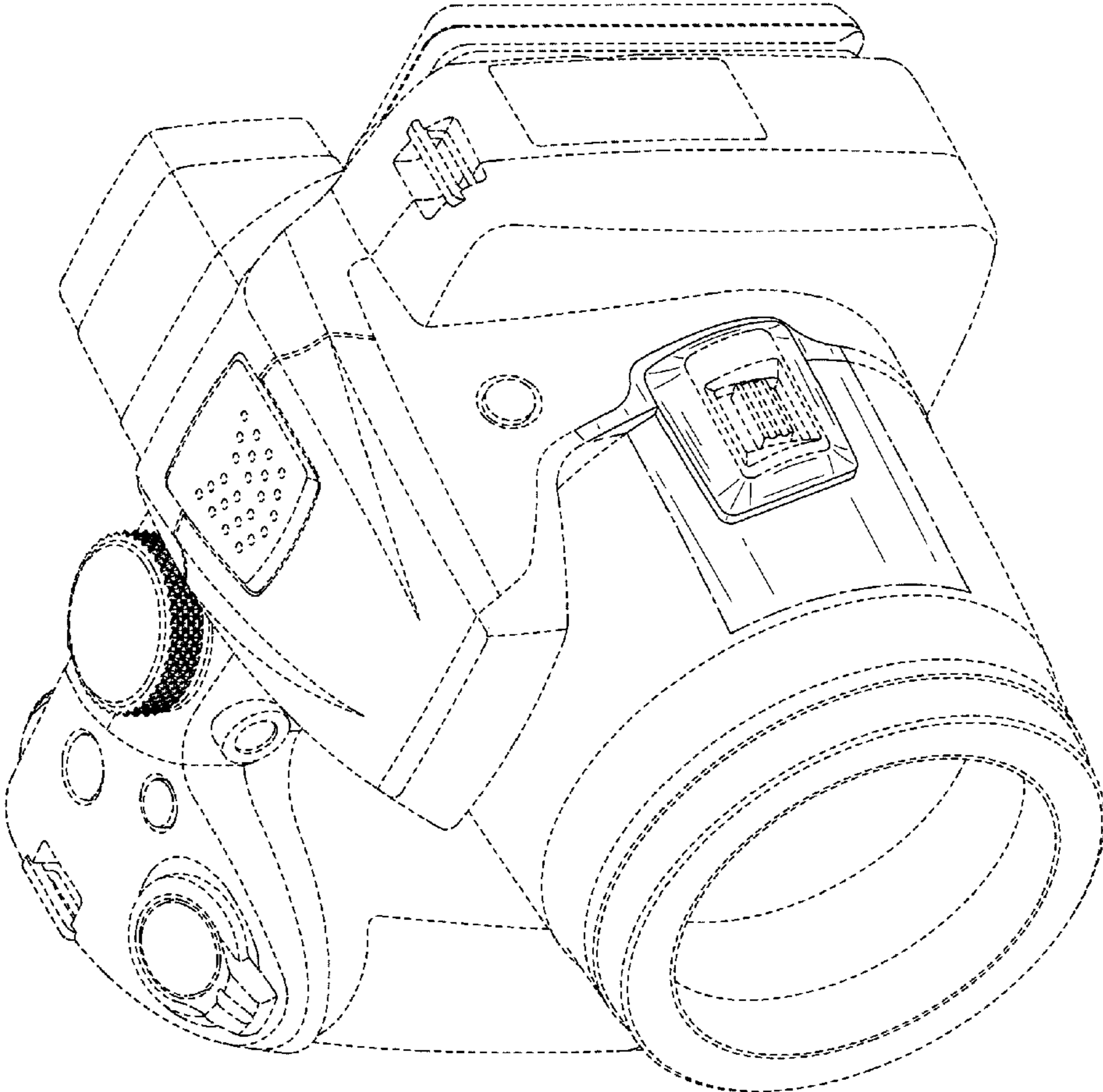


Fig. 1

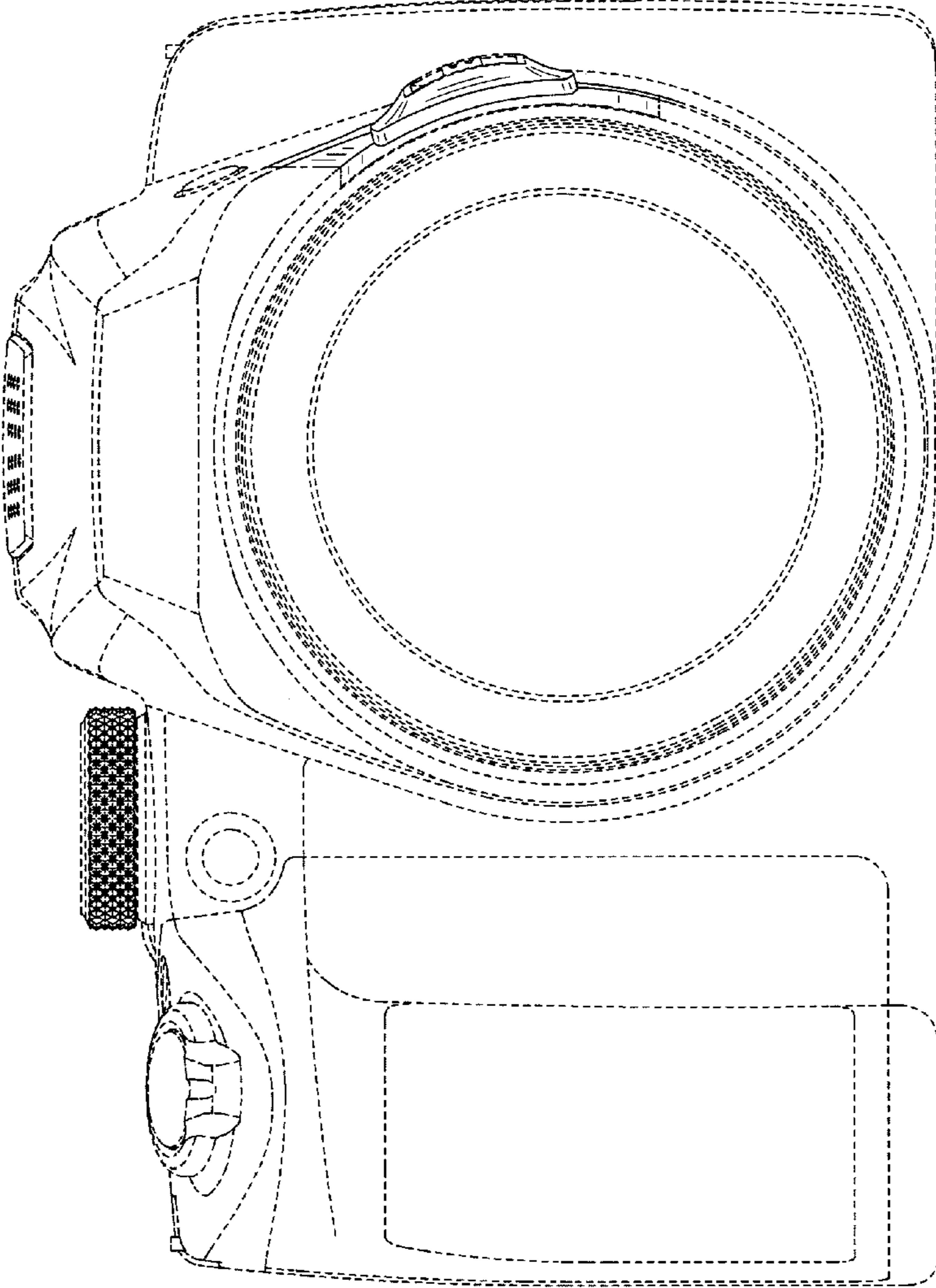


Fig. 2

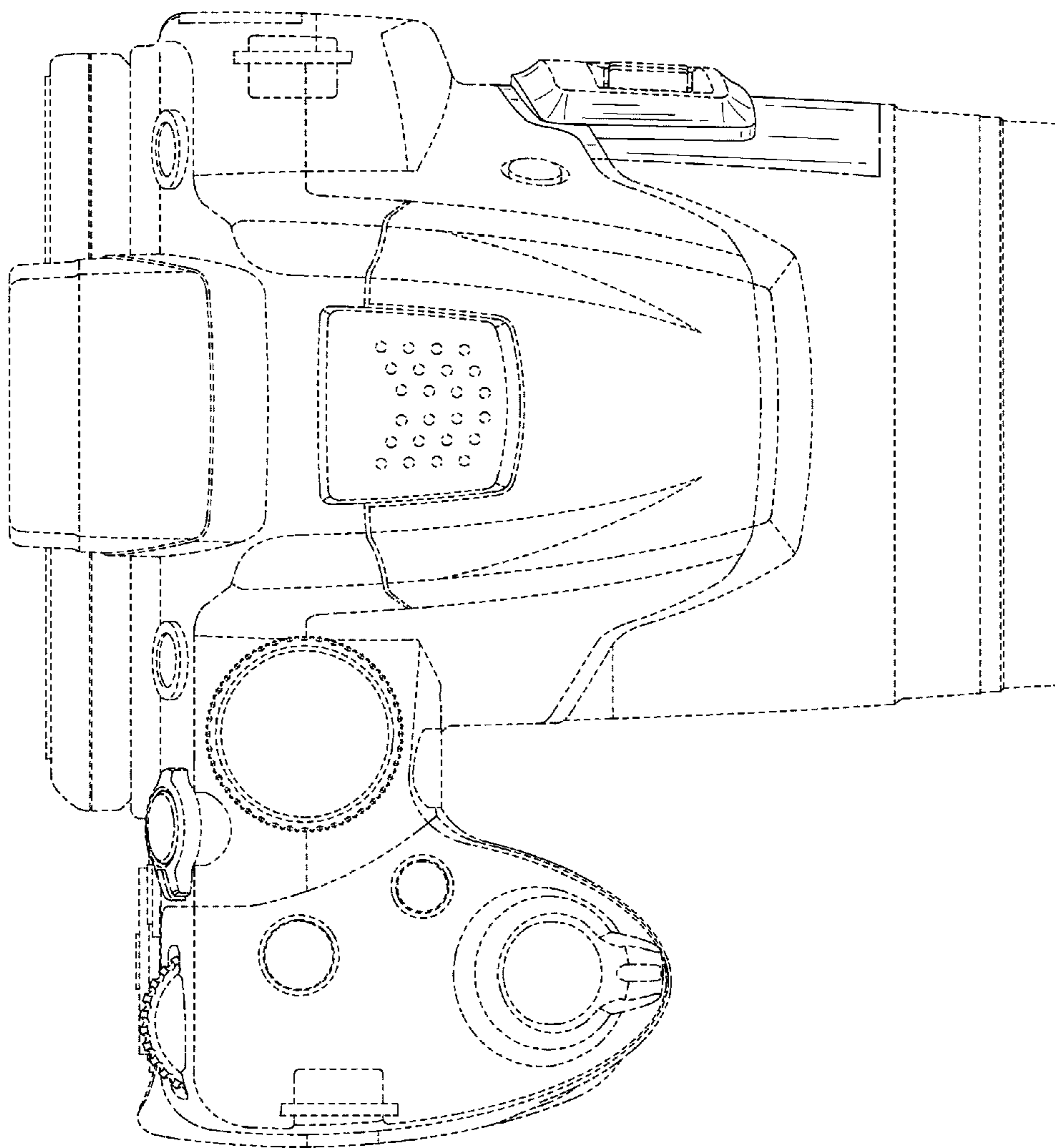


Fig. 3

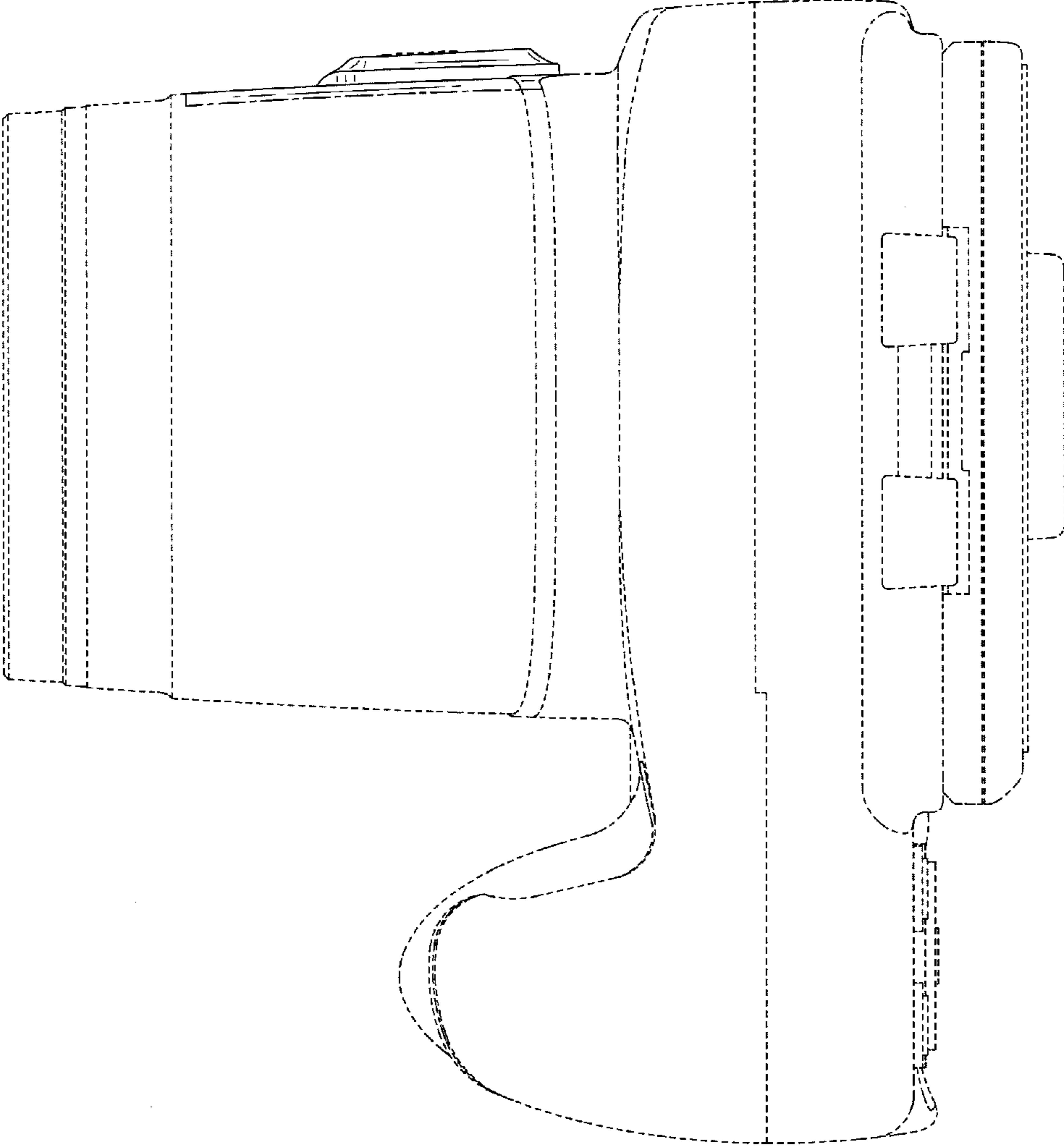


Fig. 4

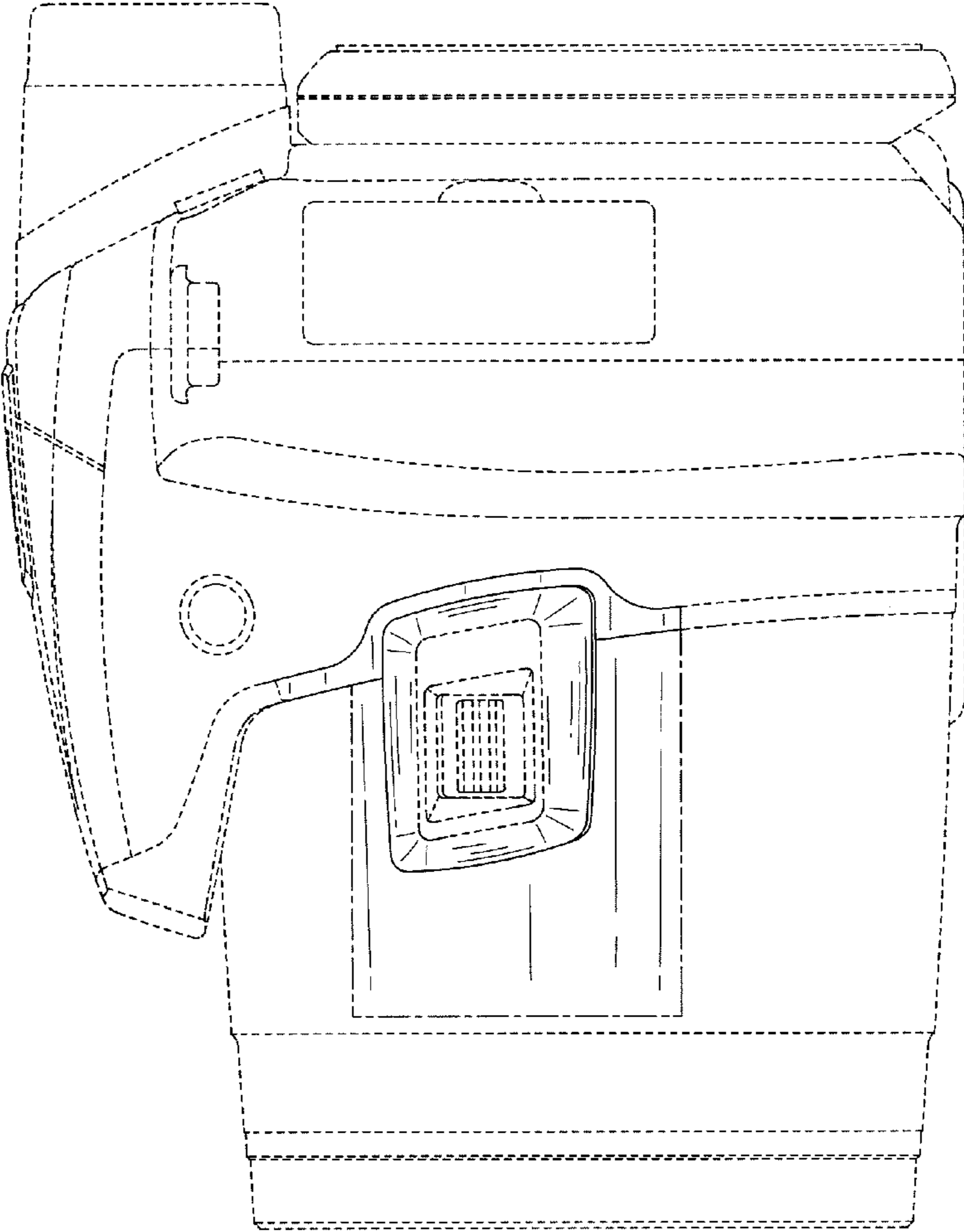


Fig. 5