



US00D669519S

(12) **United States Design Patent**  
**Yoneda**

(10) **Patent No.:** **US D669,519 S**  
(45) **Date of Patent:** **\*\* Oct. 23, 2012**

(54) **VIDEO CAMERA**

(75) Inventor: **Naofumi Yoneda**, Tokyo (JP)

(73) Assignee: **Sony Corporation**, Tokyo (JP)

(\*\*) Term: **14 Years**

(21) Appl. No.: **29/347,436**

(22) Filed: **Jan. 6, 2010**

(30) **Foreign Application Priority Data**

Jul. 6, 2009 (JP) ..... D2009-015299

(51) **LOC (9) Cl.** ..... **16-01**

(52) **U.S. Cl.** ..... **D16/219**

(58) **Field of Classification Search** ..... D16/200-205,  
D16/217-220; 348/371, 373-376; 358/906;  
396/535-541

See application file for complete search history.

(56) **References Cited**

**U.S. PATENT DOCUMENTS**

D524,841 S 7/2006 Ikenaga  
D534,195 S 12/2006 Ikenaga  
D549,264 S \* 8/2007 Tokiwa ..... D16/219

D557,720 S \* 12/2007 Shimizu ..... D16/202  
D559,878 S 1/2008 Sadatsuki  
D559,879 S 1/2008 Sumita  
D560,246 S \* 1/2008 Nakamura ..... D16/218

\* cited by examiner

*Primary Examiner* — Prabhakar Deshmukh

(74) *Attorney, Agent, or Firm* — Rader, Fishman & Grauer PLLC

(57) **CLAIM**

The ornamental design for a video camera, as shown and described.

**DESCRIPTION**

FIG. 1 is a perspective view of a video camera showing my new design; and,

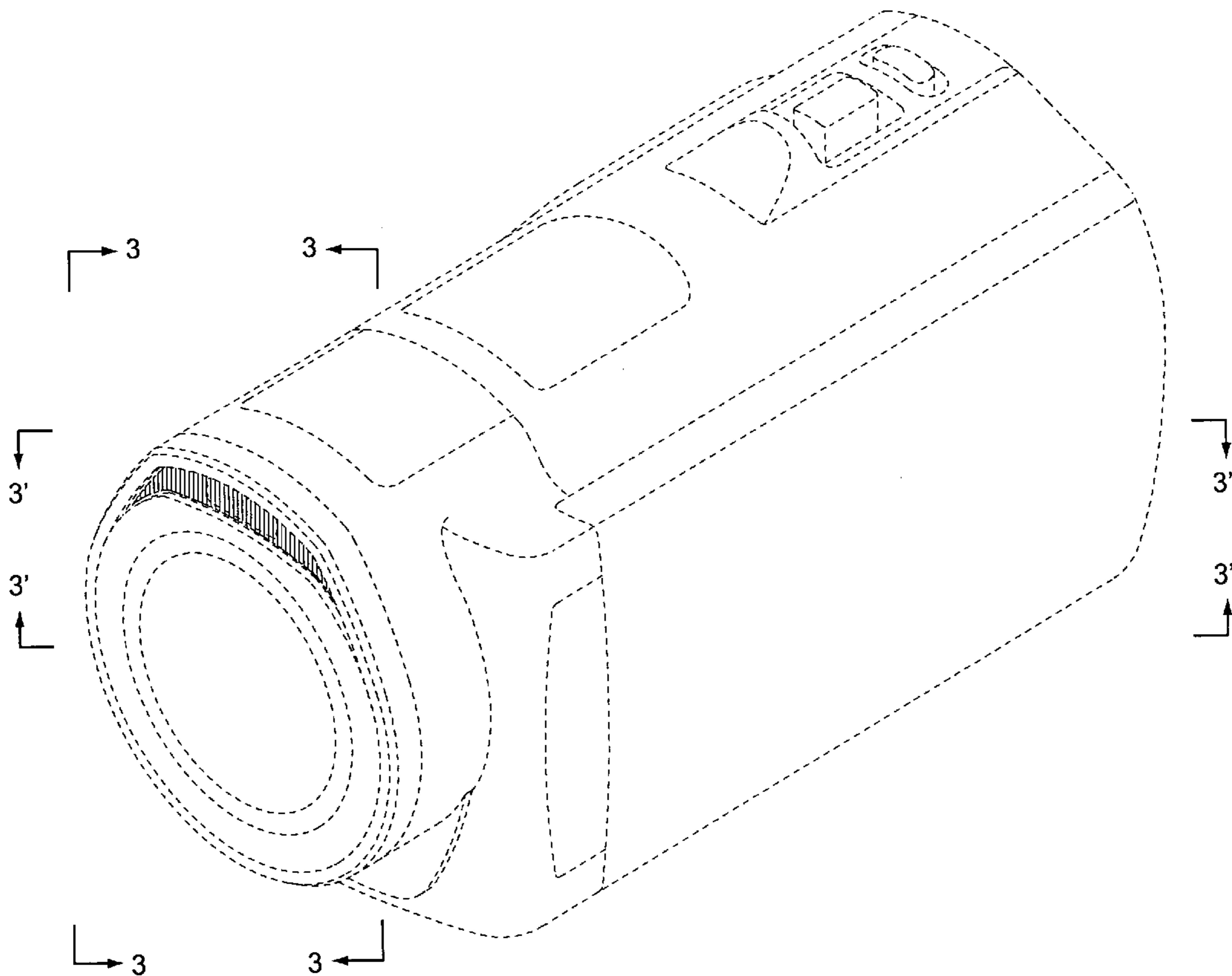
FIG. 2 is a front elevational view thereof.

FIG. 3 is an enlarged perspective view thereof along the lines 3-3 and 3'-3' of FIG. 1; and,

FIG. 4 is an enlarged front elevational view thereof along the lines 4-4 and 4'-4' of FIG. 2.

Portions in broken lines are for illustrative purpose only and form no part of the claimed design. Dot-dash broken lines define the boundaries of, but not included in, the claimed design.

**1 Claim, 4 Drawing Sheets**



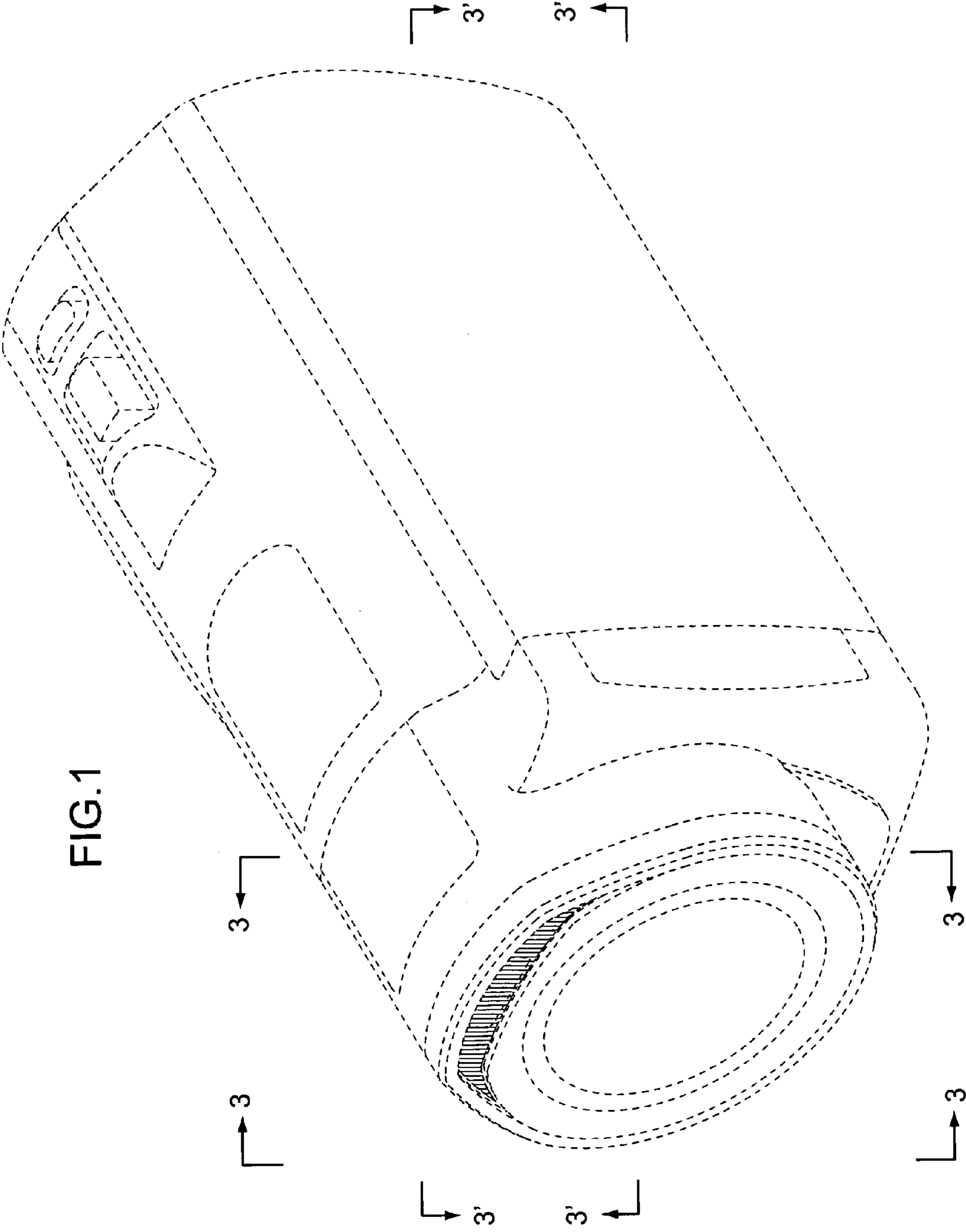


FIG.2

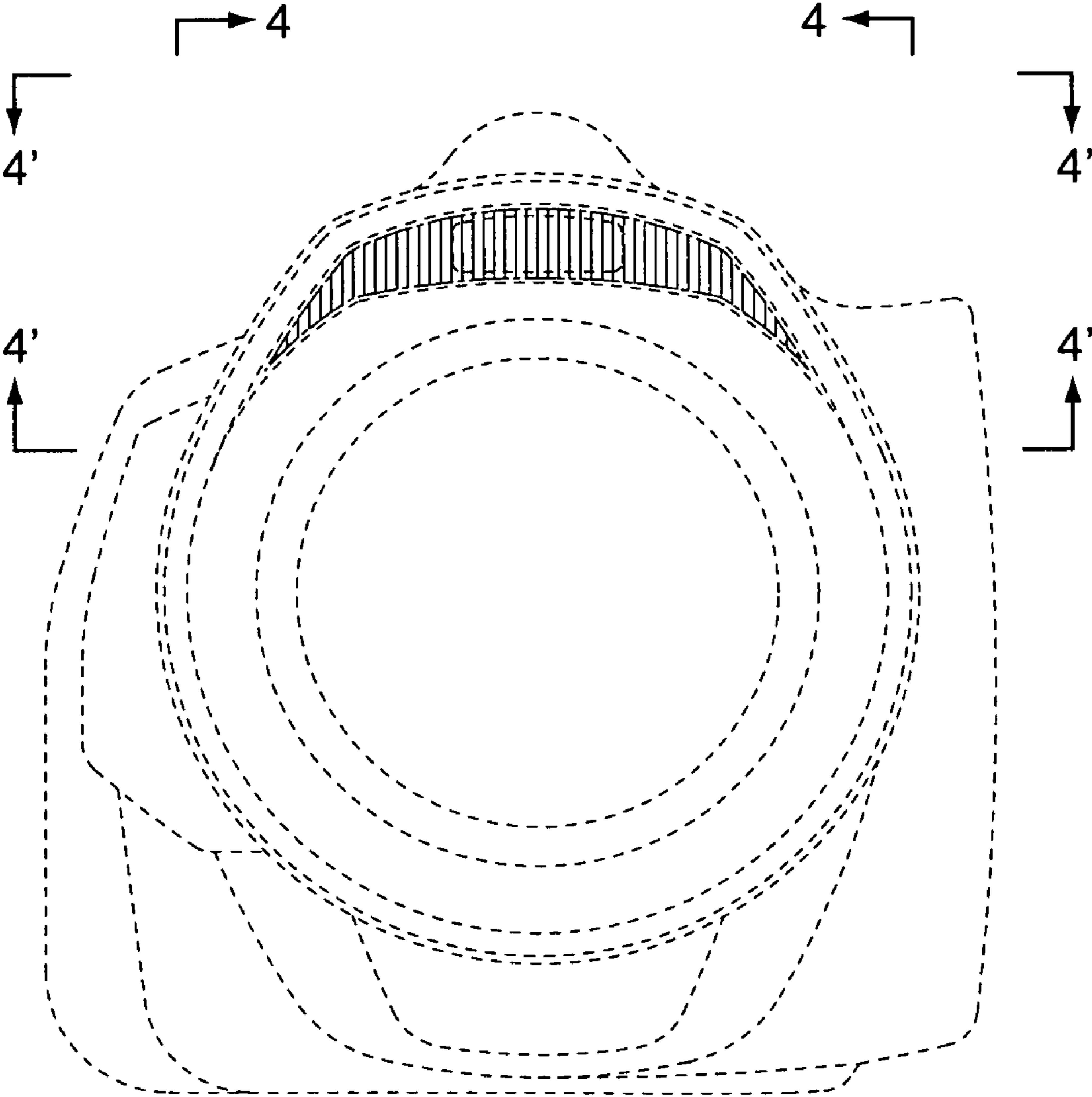


FIG.3

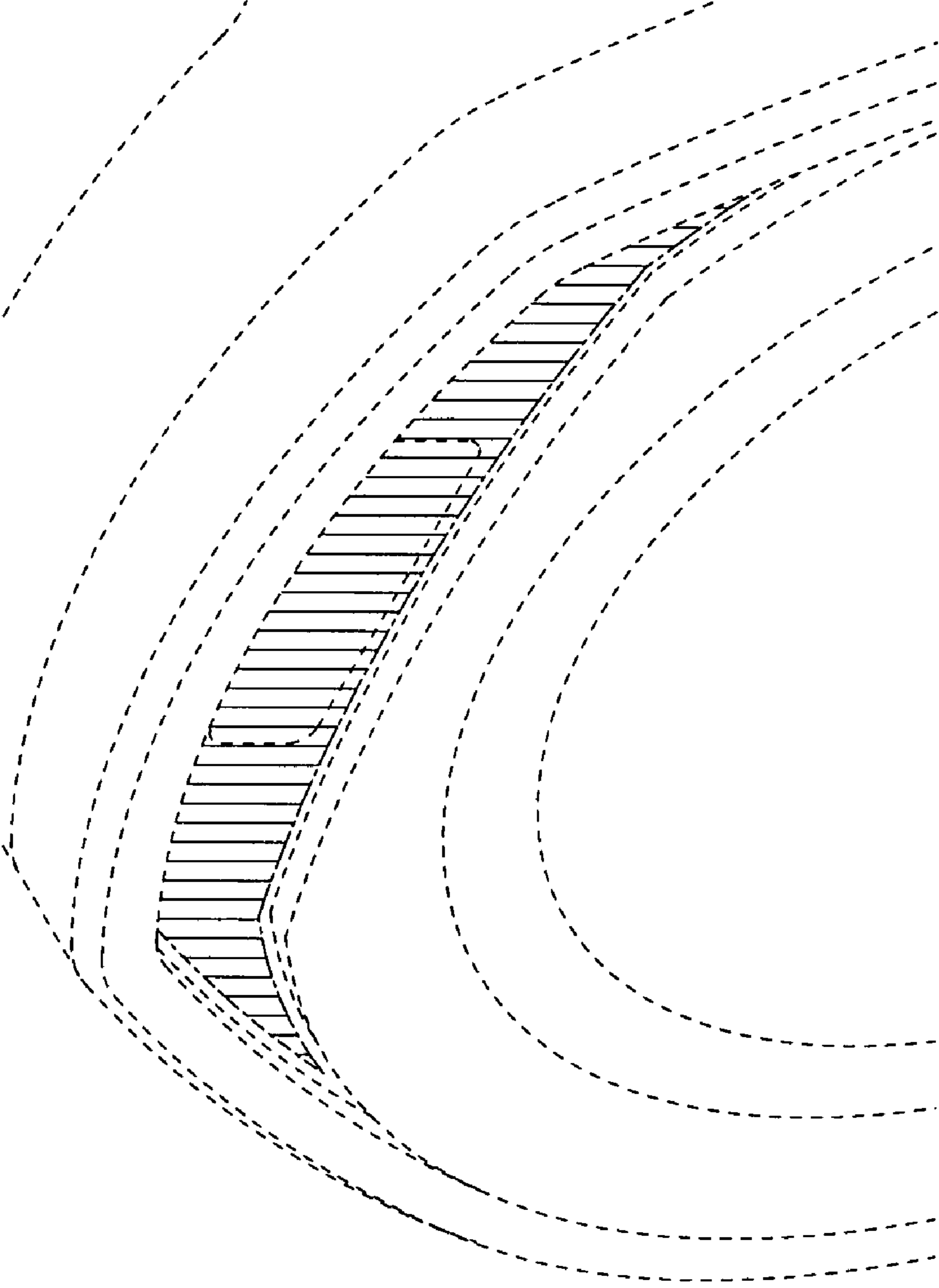


FIG.4

