

US00D669518S

(12) **United States Design Patent**
Nakamura

(10) **Patent No.:** **US D669,518 S**
(45) **Date of Patent:** **** Oct. 23, 2012**

(54) **DIGITAL STILL CAMERA**

(75) Inventor: **Makoto Nakamura**, Kyoto (JP)

(73) Assignee: **Panasonic Corporation**, Osaka (JP)

(**) Term: **14 Years**

(21) Appl. No.: **29/409,185**

(22) Filed: **Dec. 21, 2011**

(51) **LOC (9) Cl.** **16-01**

(52) **U.S. Cl.** **D16/202**

(58) **Field of Classification Search** D16/200–204,
D16/208, 218; 348/373–376; 358/909.1;
396/535–541

See application file for complete search history.

(56) **References Cited**

U.S. PATENT DOCUMENTS

| | | | | | | |
|-----------|----|---|---------|-----------------|-------|---------|
| D561,219 | S | * | 2/2008 | Nagayama et al. | | D16/202 |
| D576,650 | S | * | 9/2008 | Shibata et al. | | D16/202 |
| D597,116 | S | * | 7/2009 | Watanabe | | D16/202 |
| 7,646,426 | B2 | * | 1/2010 | Saiki et al. | | 348/373 |
| D629,824 | S | * | 12/2010 | Takahashi | | D16/202 |
| D634,765 | S | * | 3/2011 | Noh et al. | | D16/202 |
| D635,604 | S | * | 4/2011 | Sul et al. | | D16/202 |
| D644,676 | S | * | 9/2011 | Katayama | | D16/202 |
| D663,758 | S | * | 7/2012 | Ham | | D16/202 |

OTHER PUBLICATIONS

Panasonic Corporation, "TZ20", obtained from the internet address <<http://panasonic.jp/dc/tz20/>>, on Dec. 19, 2011, 3 pages.

Panasonic Corporation, "Lumix GF3", obtained from the internet address <<http://panasonic.jp/dc/gf3/index.html>>, on Dec. 19, 2011, 4 pages.

* cited by examiner

Primary Examiner — Adir Aronovich

(74) *Attorney, Agent, or Firm* — Brinks Hofer Gilson & Lione

(57) **CLAIM**

I claim the ornamental design for a digital still camera, as shown and described.

DESCRIPTION

FIG. 1 is a top, front and right side perspective view of a digital still camera of the present invention;

FIG. 2 is a front elevational view thereof;

FIG. 3 is a rear elevational view thereof;

FIG. 4 is right side elevational view thereof;

FIG. 5 is a left side elevational view thereof;

FIG. 6 is top plan thereof;

FIG. 7 bottom plan view thereof; and,

FIG. 8 is a top, front and right side perspective view thereof with a lens in an extended position.

1 Claim, 8 Drawing Sheets

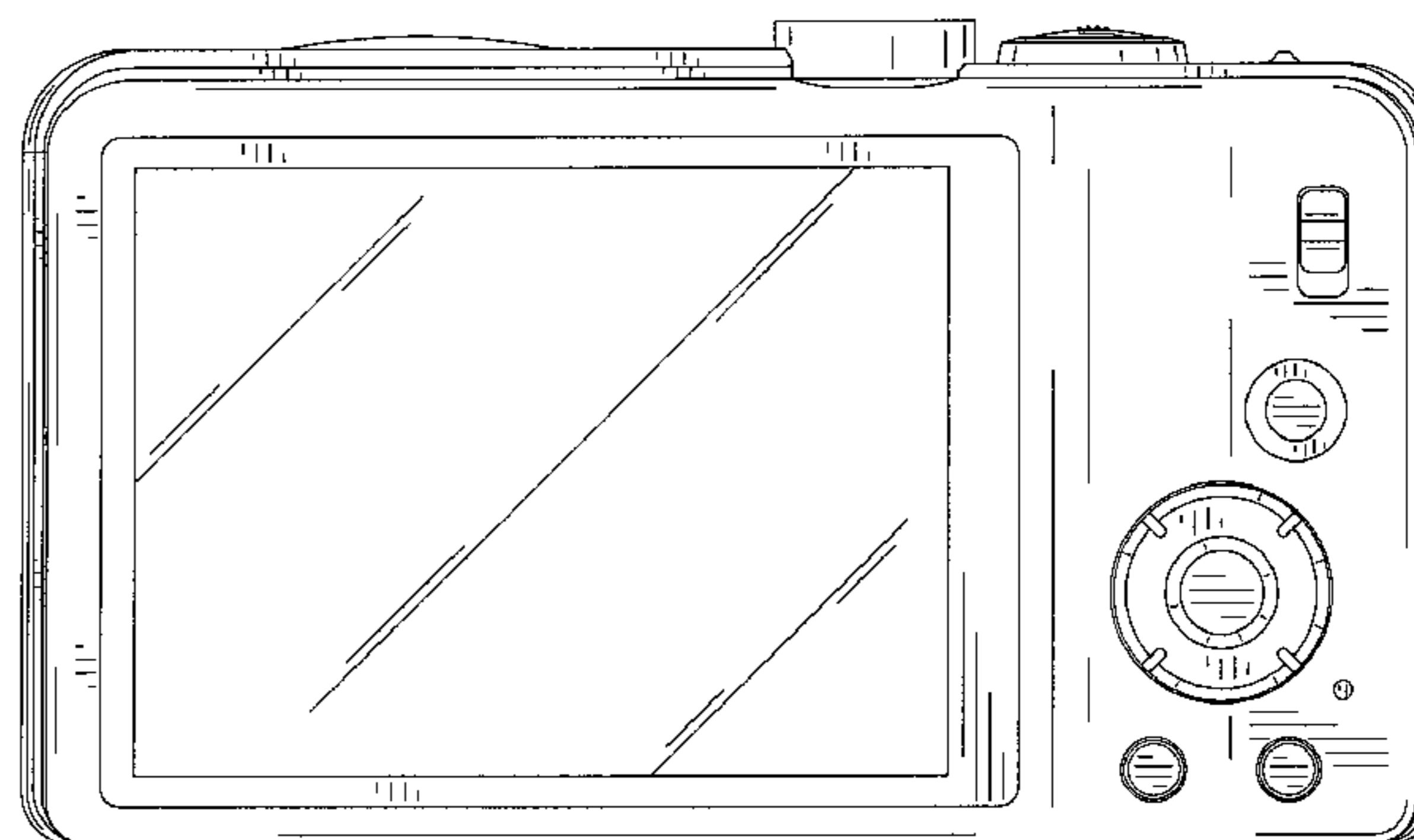
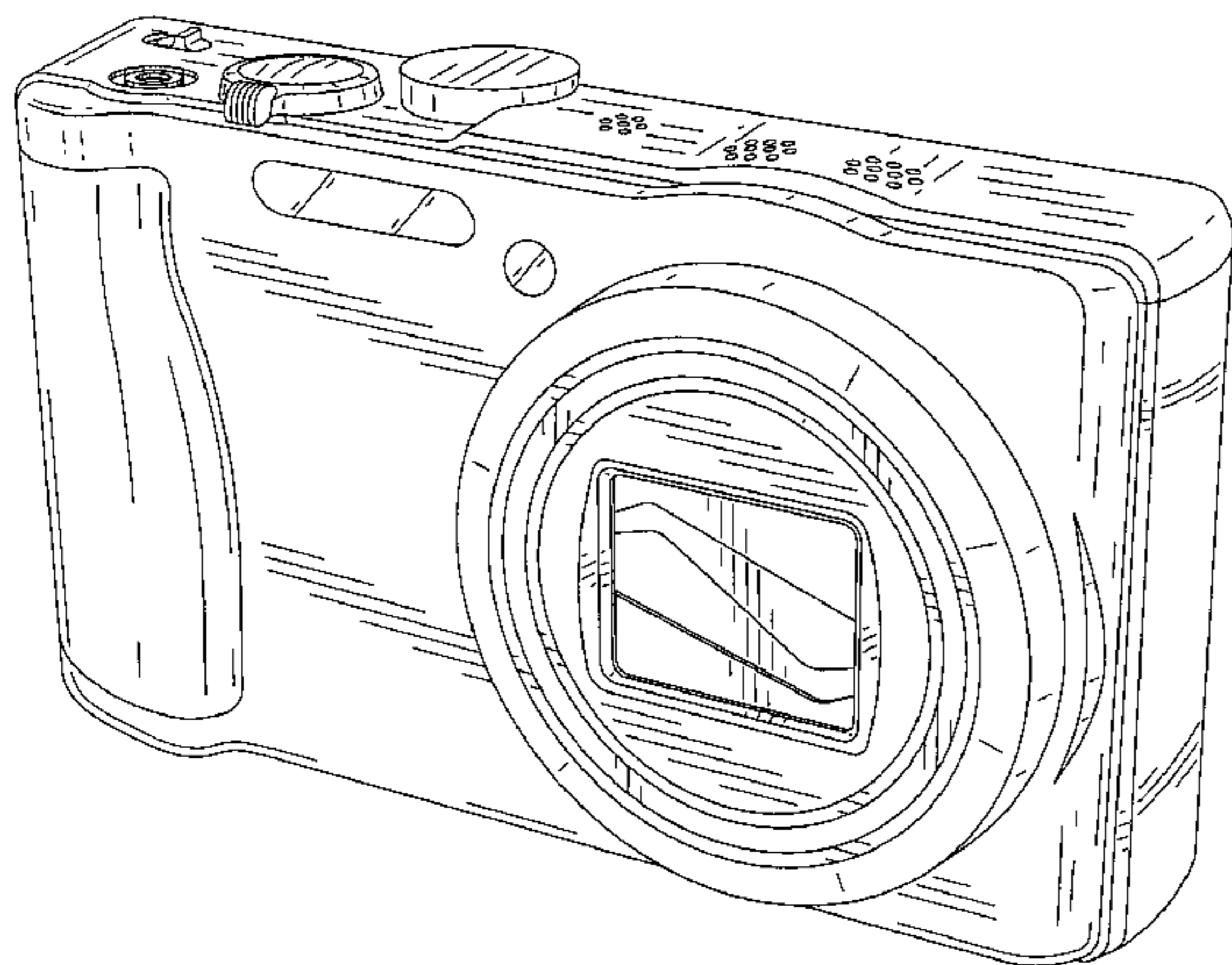


FIG.1

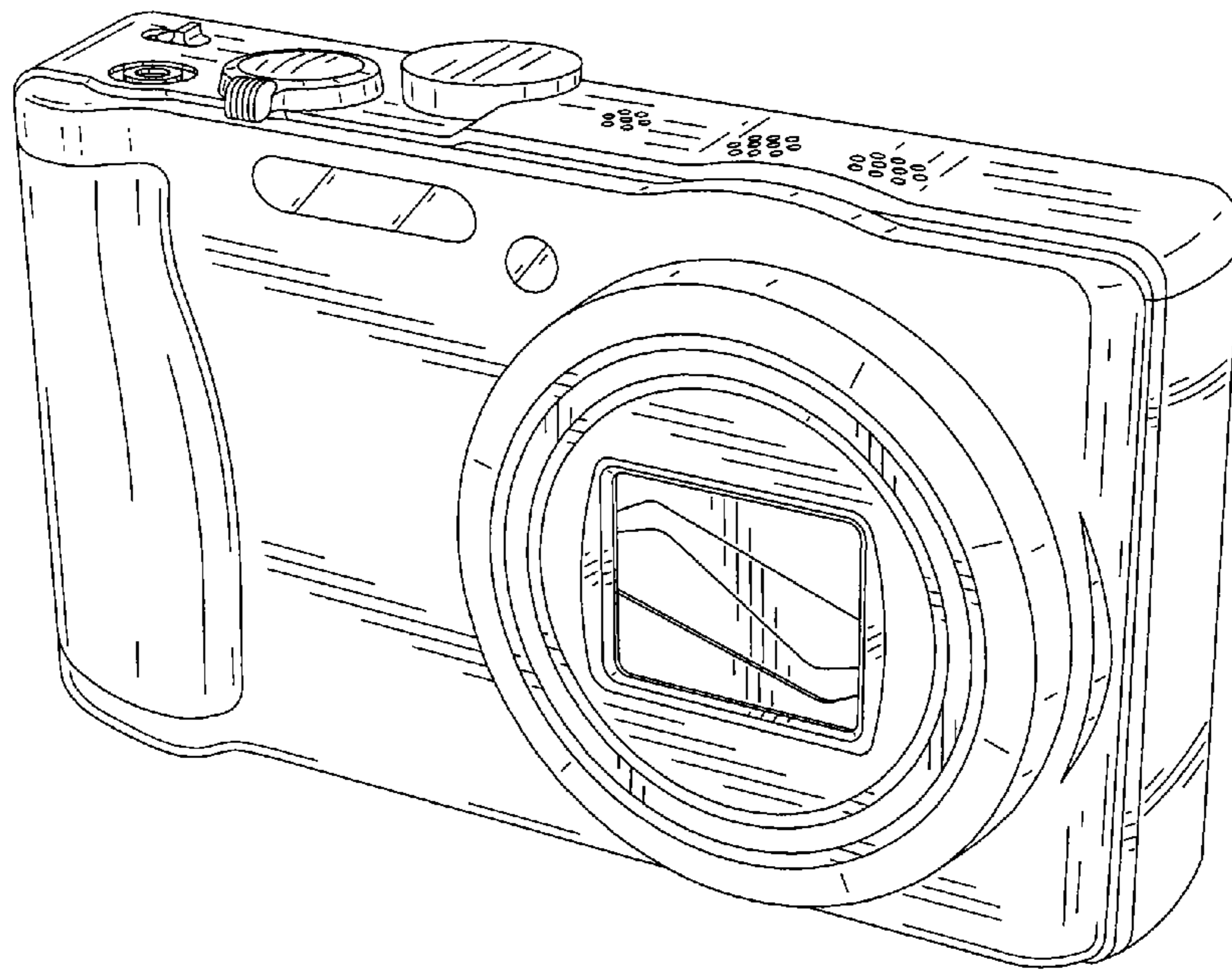


FIG.2

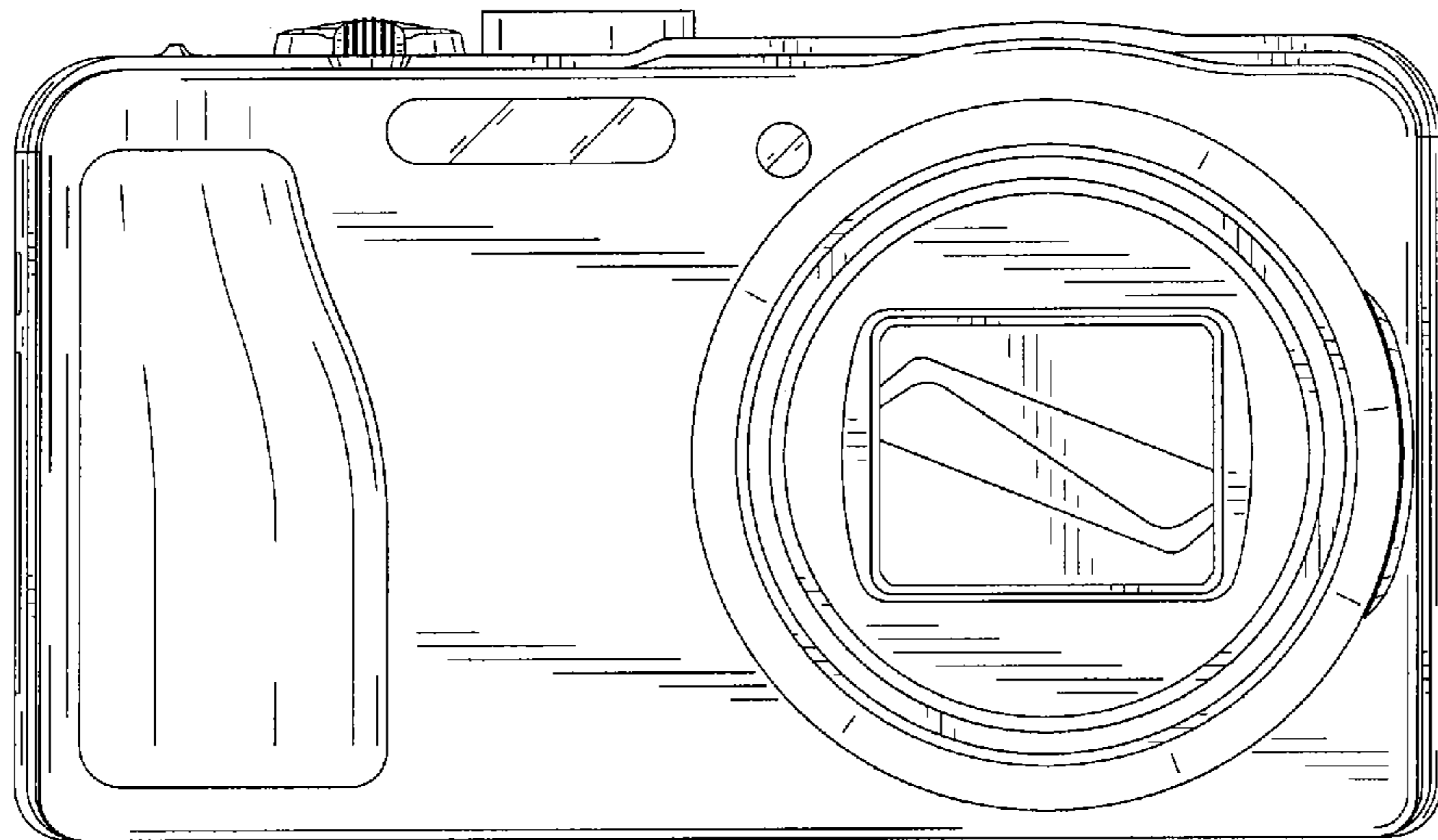


FIG.3

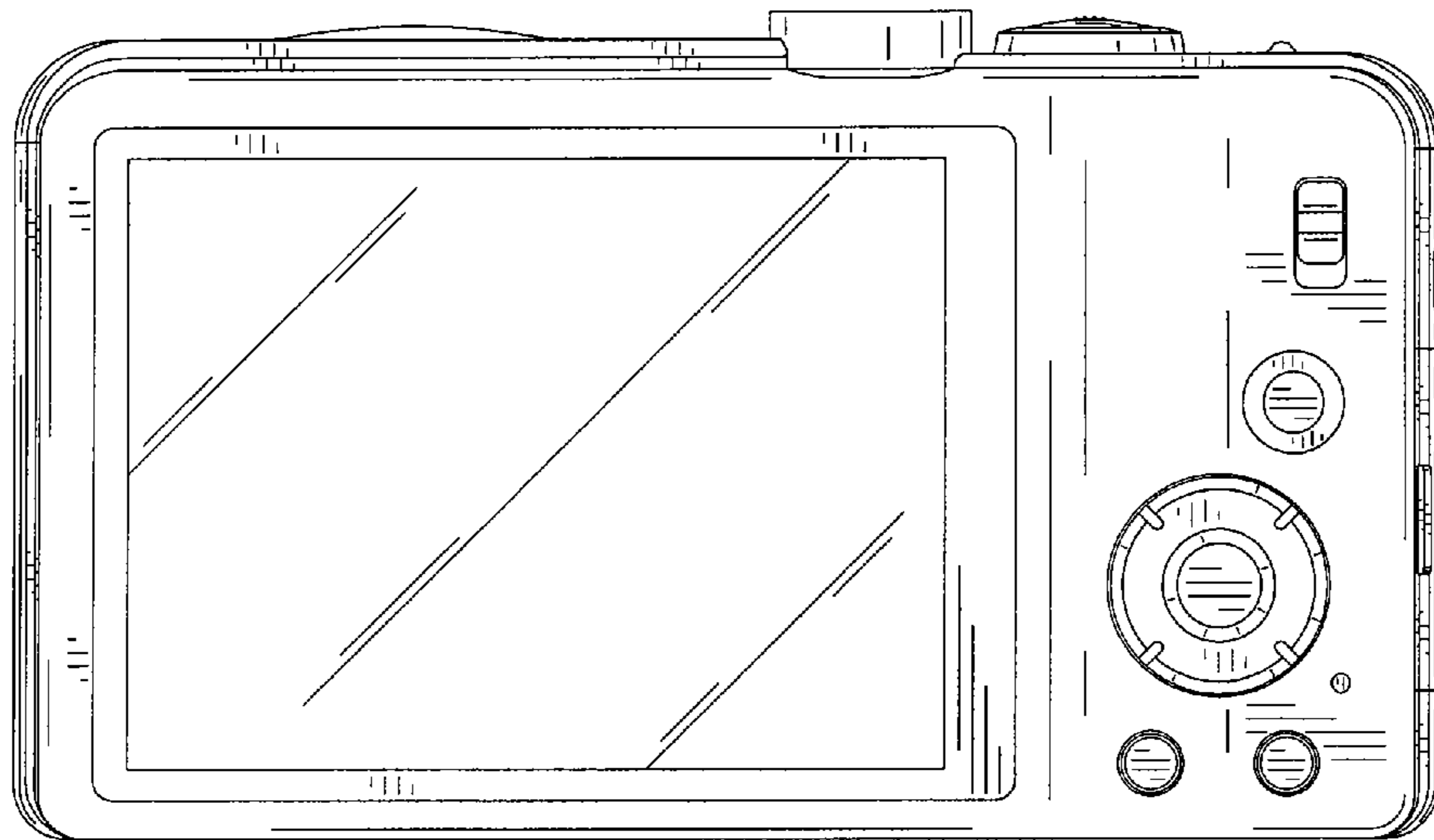


FIG.4

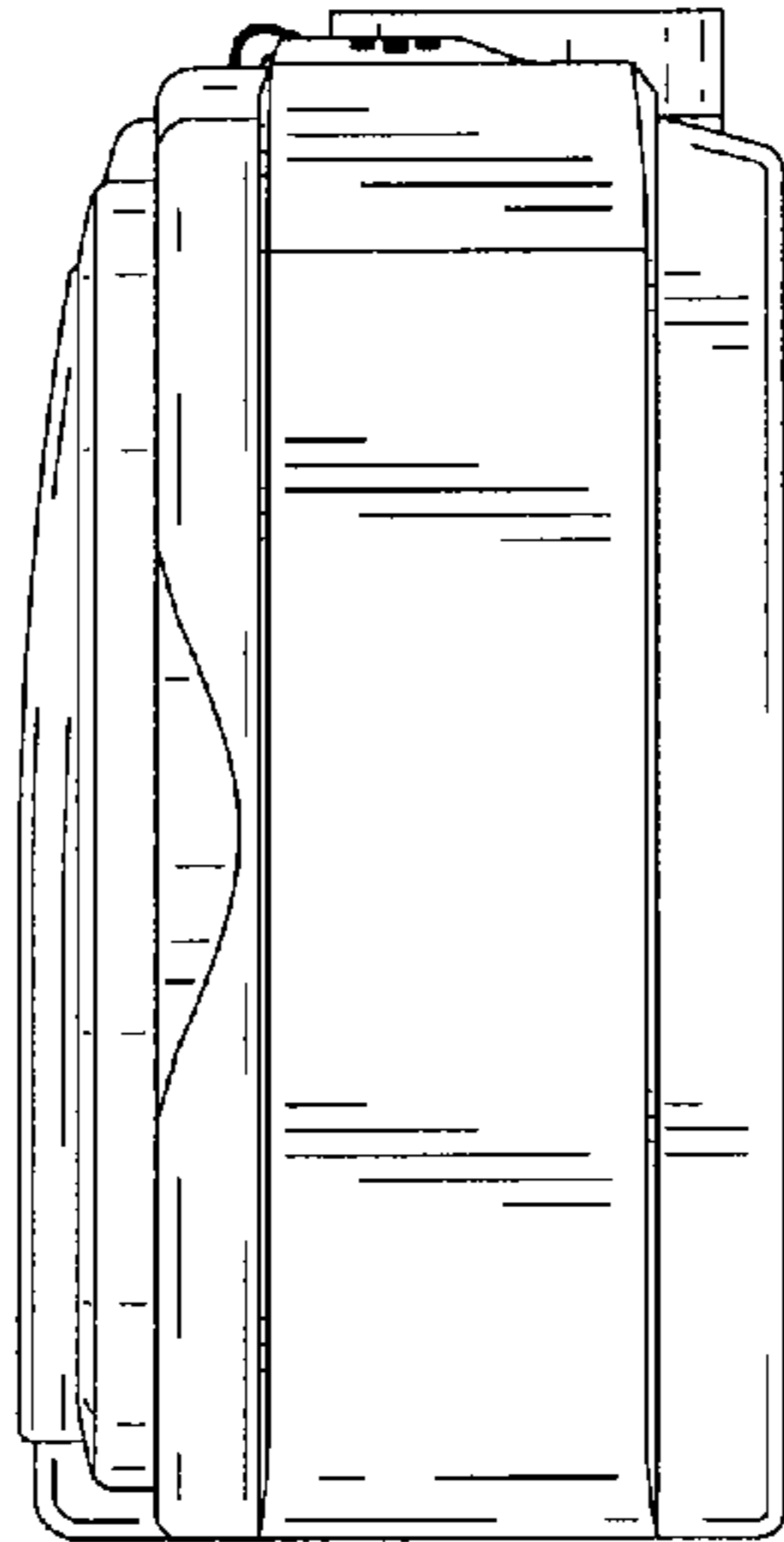


FIG.5

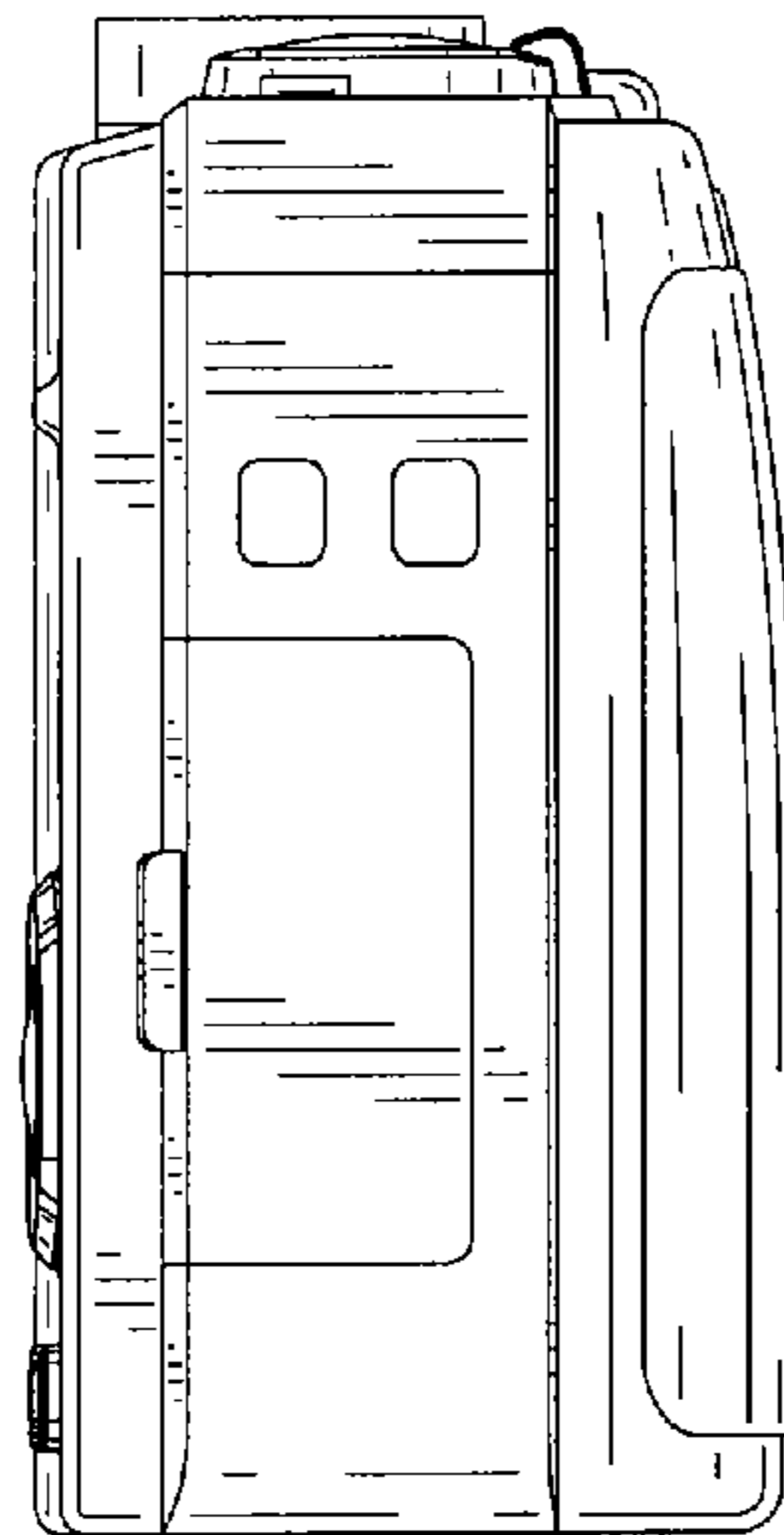


FIG.6

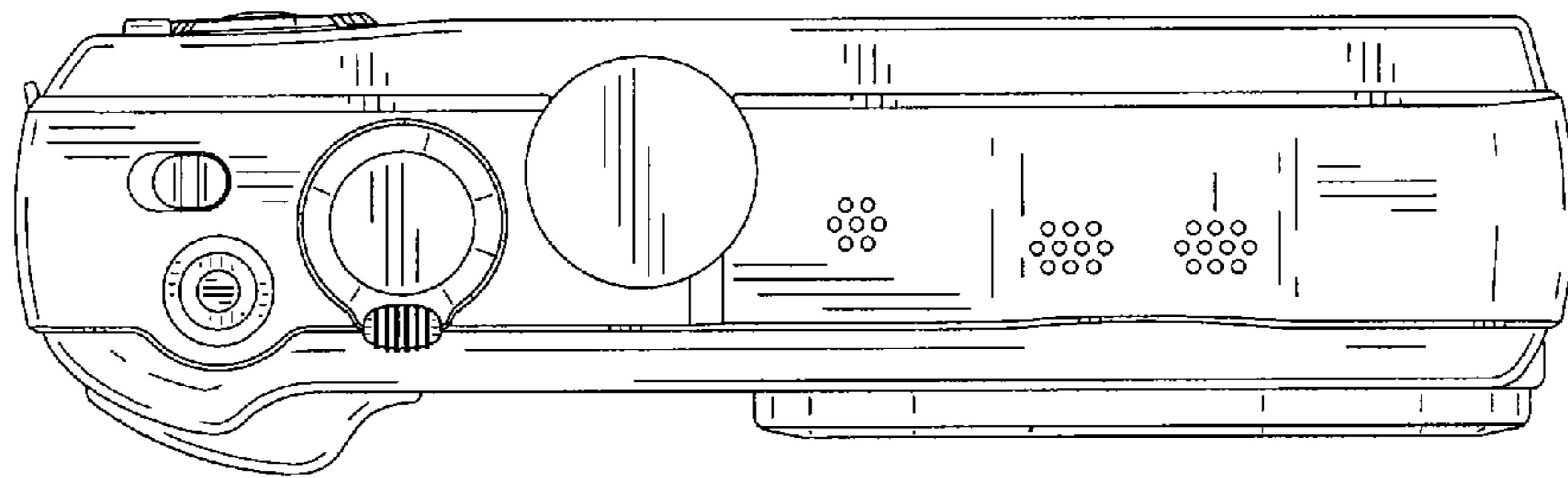


FIG.7

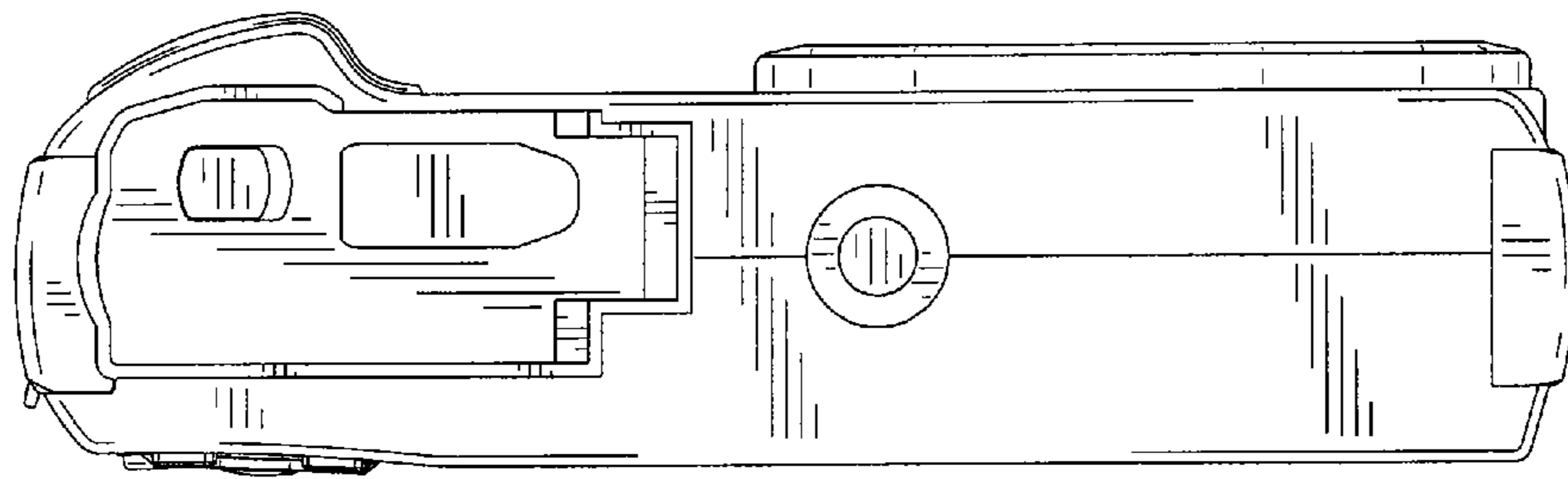


FIG.8

