

US00D669517S

(12) **United States Design Patent**  
**Nakamura**

(10) **Patent No.:** **US D669,517 S**  
(45) **Date of Patent:** **\*\* Oct. 23, 2012**

(54) **DIGITAL STILL CAMERA**

(75) Inventor: **Makoto Nakamura**, Kyoto (JP)

(73) Assignee: **Panasonic Corporation**, Osaka (JP)

(\*\*) Term: **14 Years**

(21) Appl. No.: **29/408,916**

(22) Filed: **Dec. 19, 2011**

(51) **LOC (9) Cl.** ..... **16-01**

(52) **U.S. Cl.** ..... **D16/202**

(58) **Field of Classification Search** ..... D16/200–204,  
D16/208, 218; 348/373–376; 358/909.1;  
396/535–541

See application file for complete search history.

(56) **References Cited**

**U.S. PATENT DOCUMENTS**

D561,219	S	*	2/2008	Nagayama et al.	.....	D16/202
D576,650	S	*	9/2008	Shibata et al.	.....	D16/202
D597,116	S	*	7/2009	Watanabe	.....	D16/202
7,646,426	B2	*	1/2010	Saiki et al.	.....	348/373
D629,824	S	*	12/2010	Takahashi	.....	D16/202
D634,765	S	*	3/2011	Noh et al.	.....	D16/202

D635,604	S	*	4/2011	Sul et al.	.....	D16/202
D644,676	S	*	9/2011	Katayama	.....	D16/202
D663,758	S	*	7/2012	Ham	.....	D16/202

**FOREIGN PATENT DOCUMENTS**

JP D1271199 5/2006

\* cited by examiner

*Primary Examiner* — Adir Aronovich

(74) *Attorney, Agent, or Firm* — Brinks Hofer Gilson & Lione

(57) **CLAIM**

I claim the ornamental design for a digital still camera, as shown and described.

**DESCRIPTION**

FIG. 1 is a top, front and right side perspective view of a digital still camera of the present invention;  
FIG. 2 is a top, rear and left side perspective view thereof;  
FIG. 3 is a front elevational view thereof;  
FIG. 4 is a rear elevational view thereof;  
FIG. 5 is right side elevational view thereof;  
FIG. 6 is a left side elevational view thereof;  
FIG. 7 is top plan thereof; and,  
FIG. 8 bottom plan view thereof.

**1 Claim, 8 Drawing Sheets**

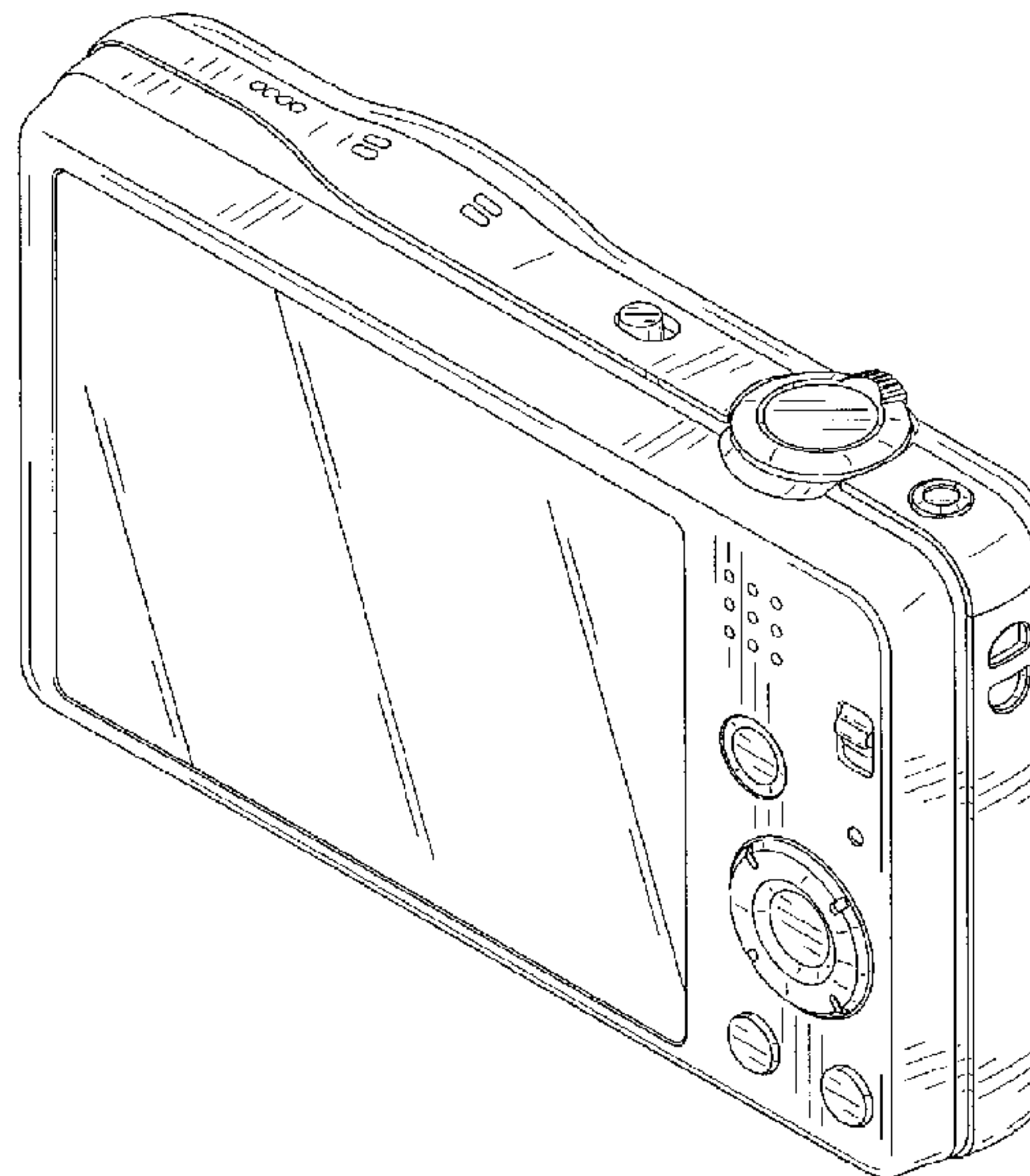
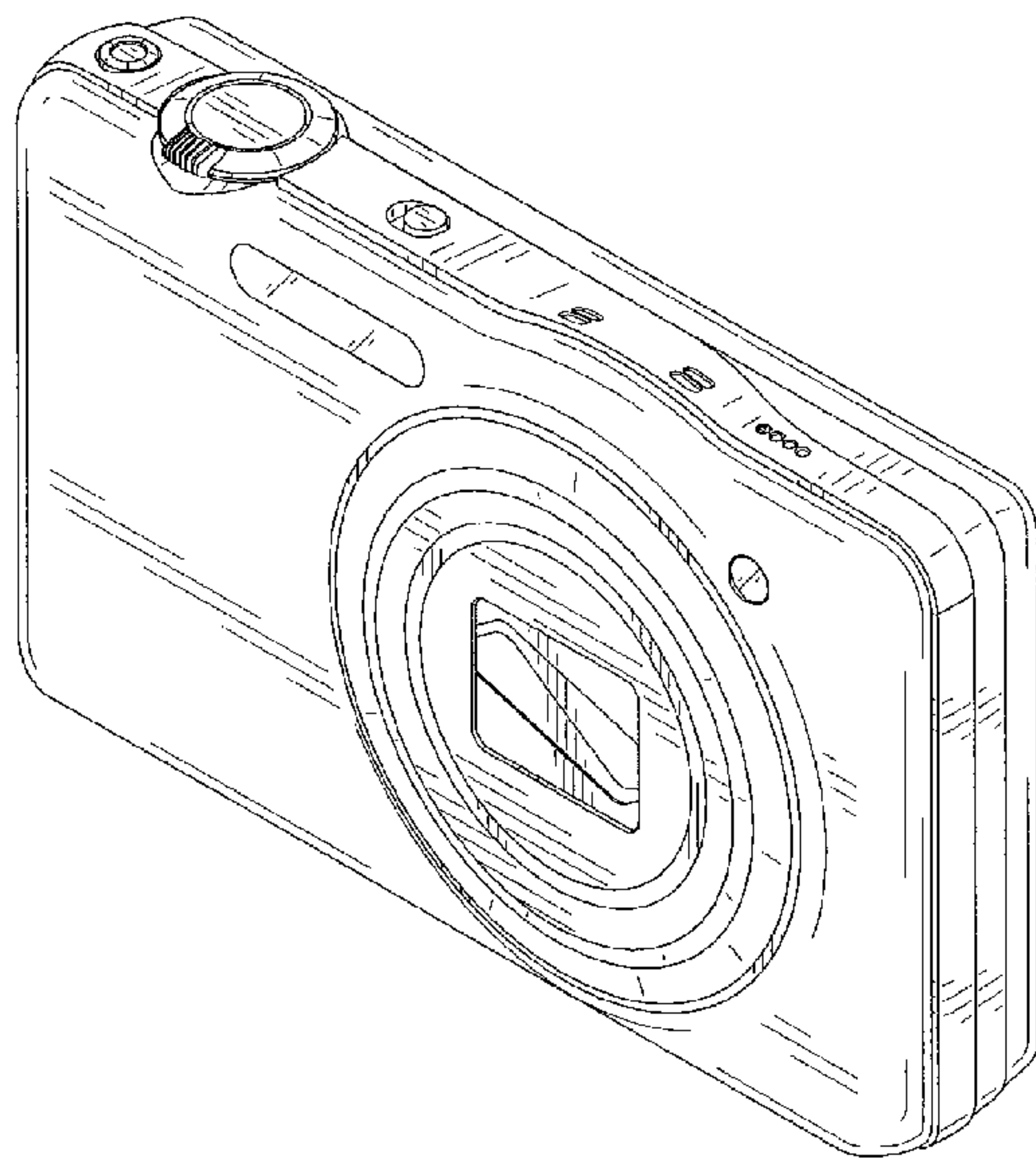


FIG.1

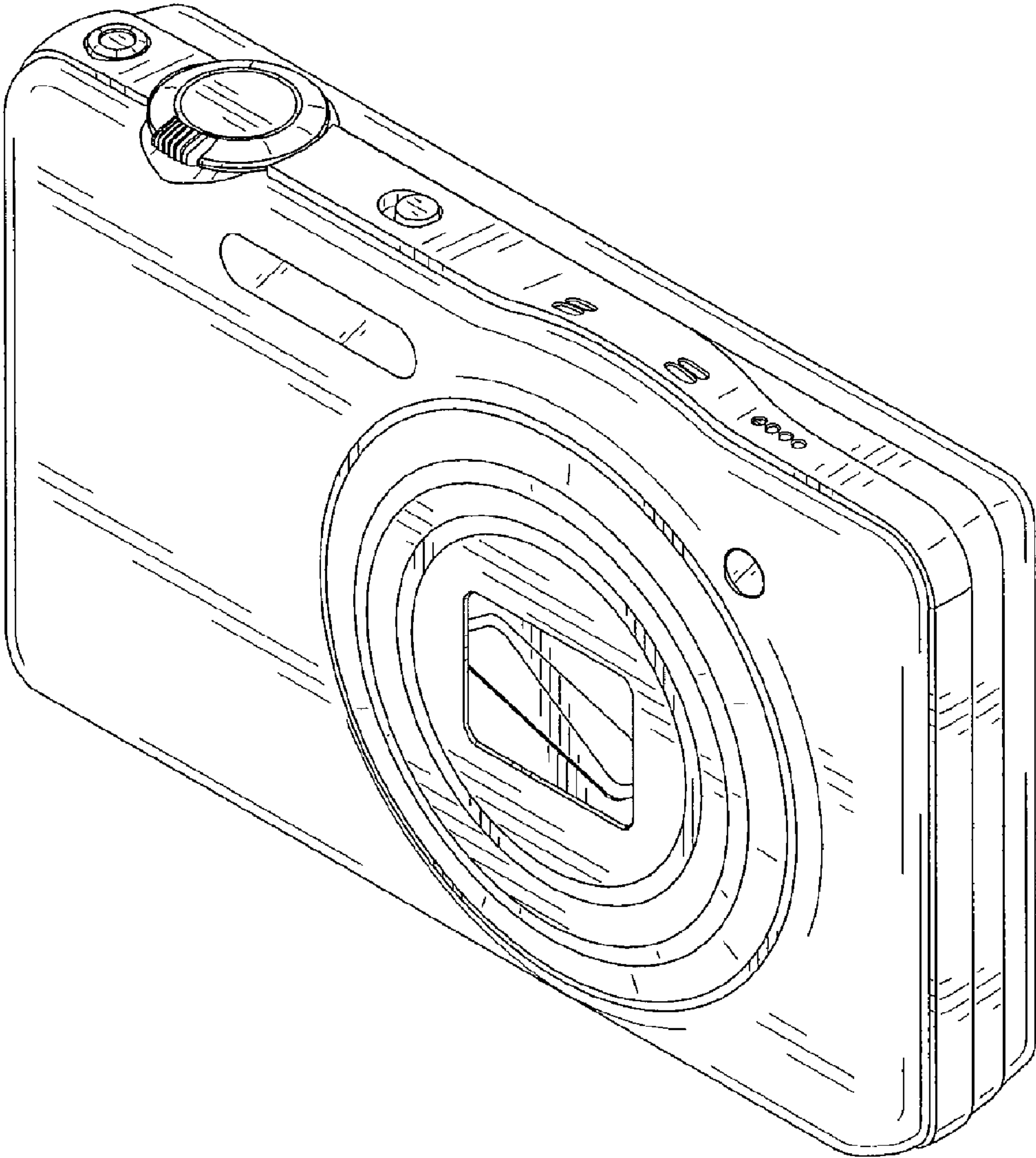


FIG.2

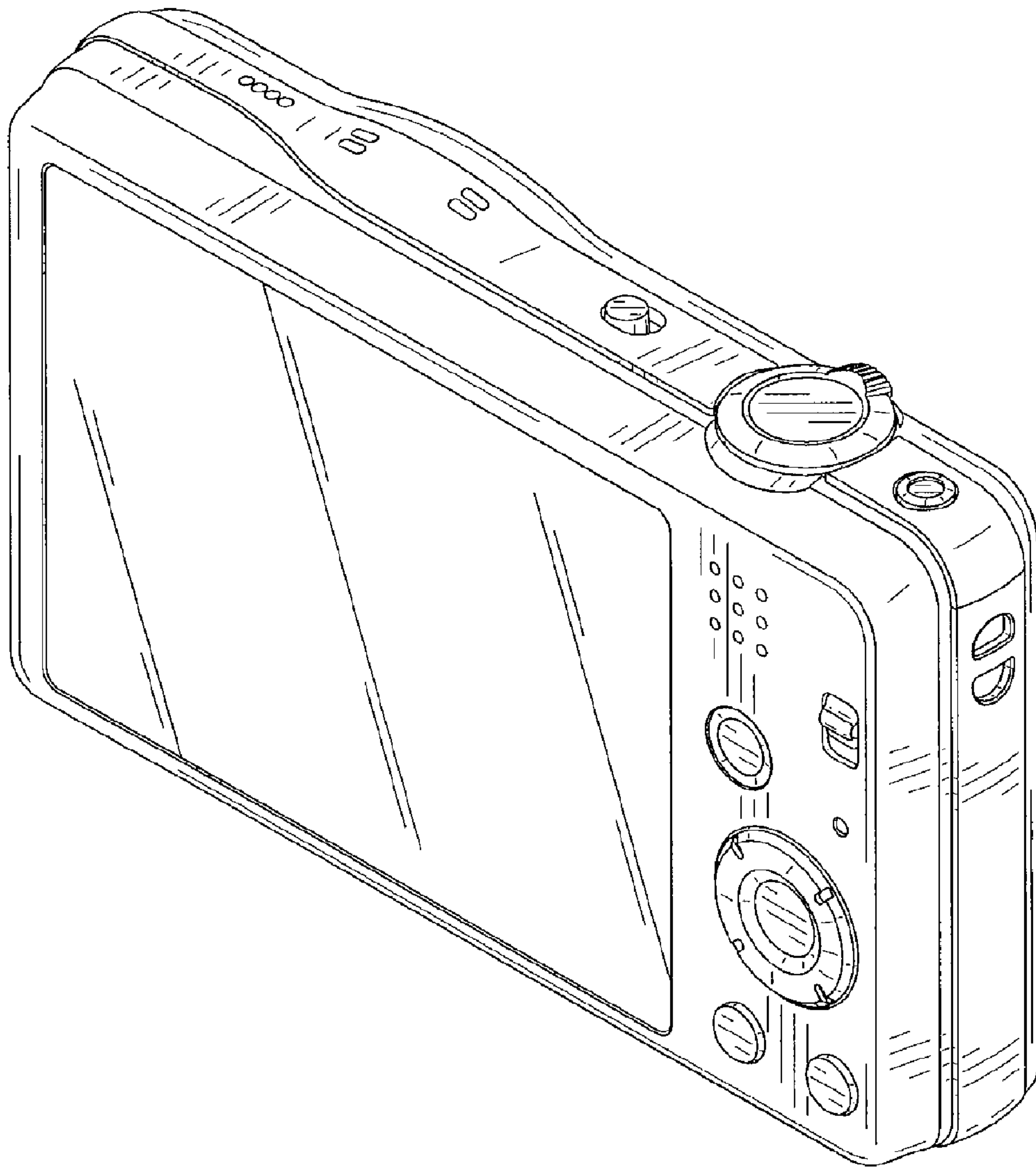


FIG.3

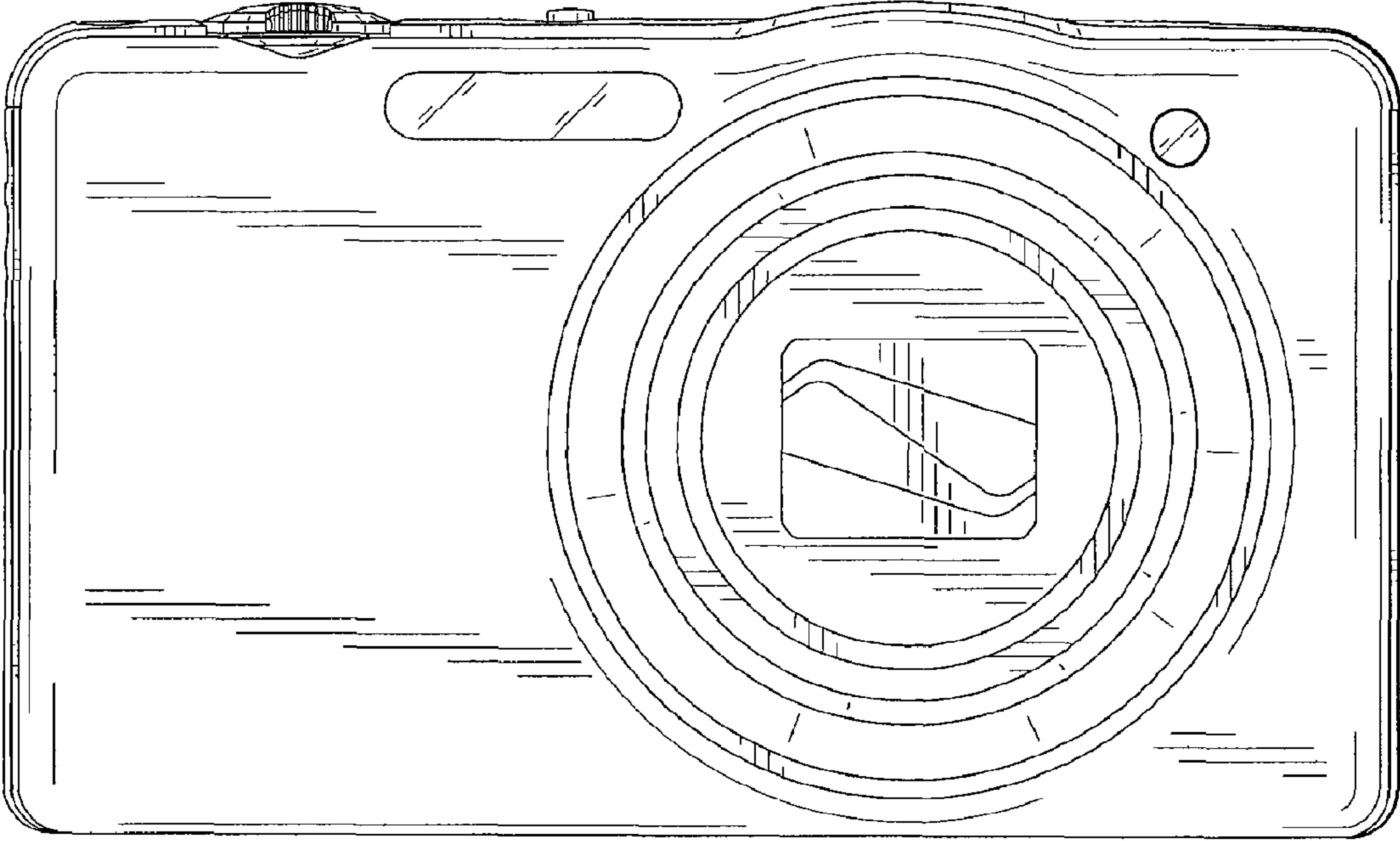




FIG.4

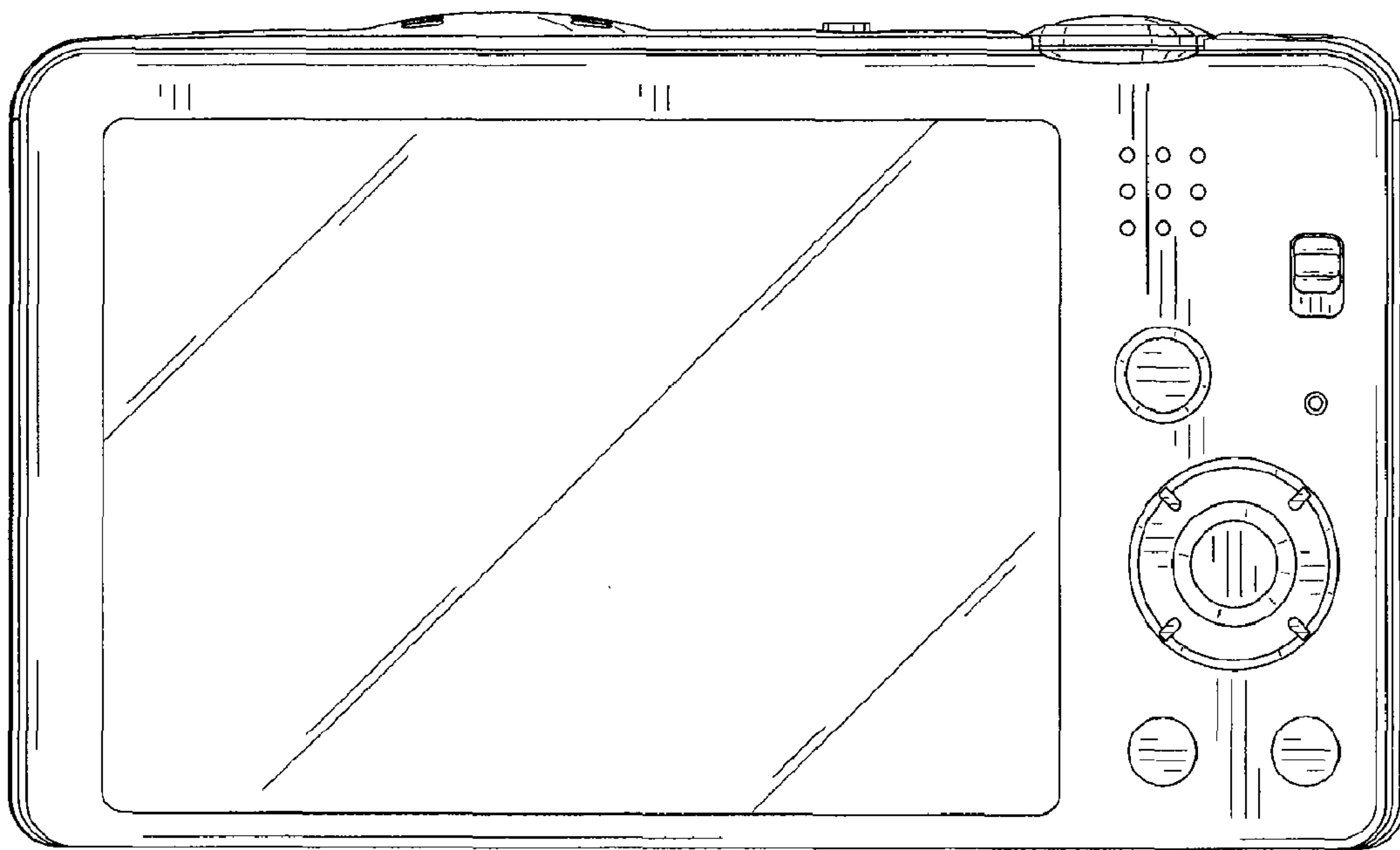


FIG.5

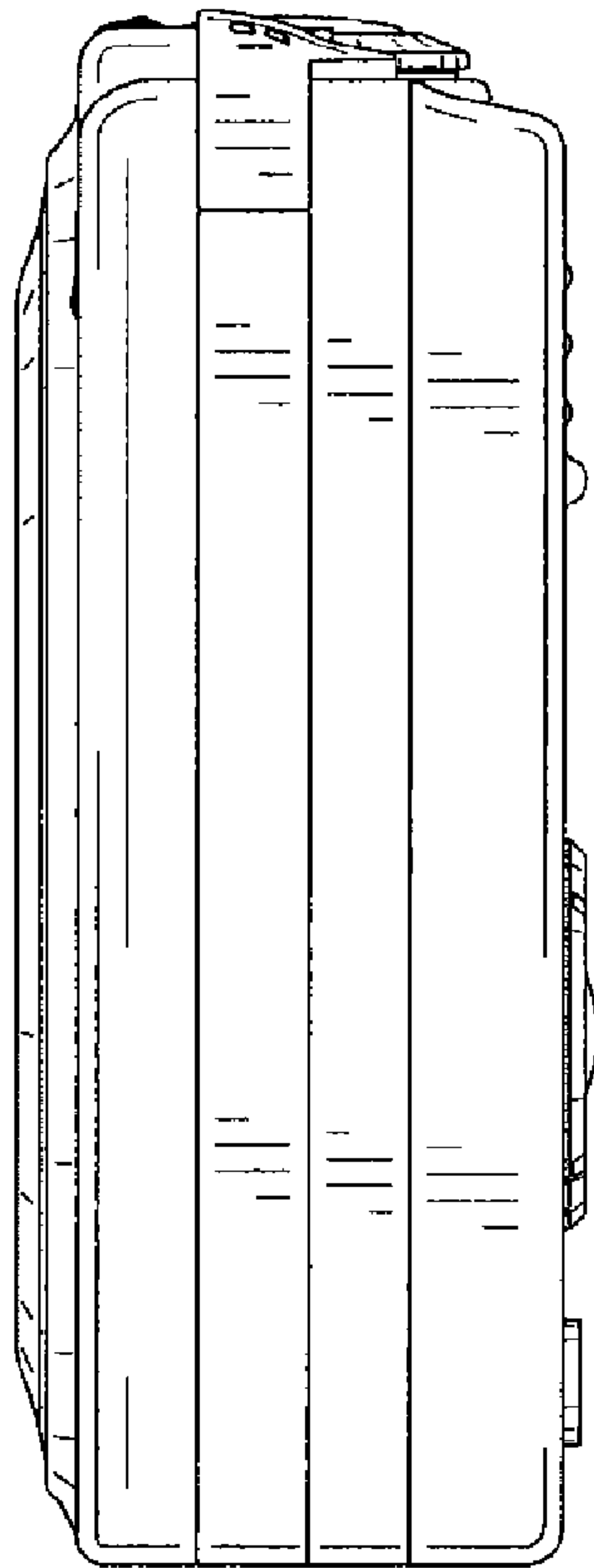


FIG.6

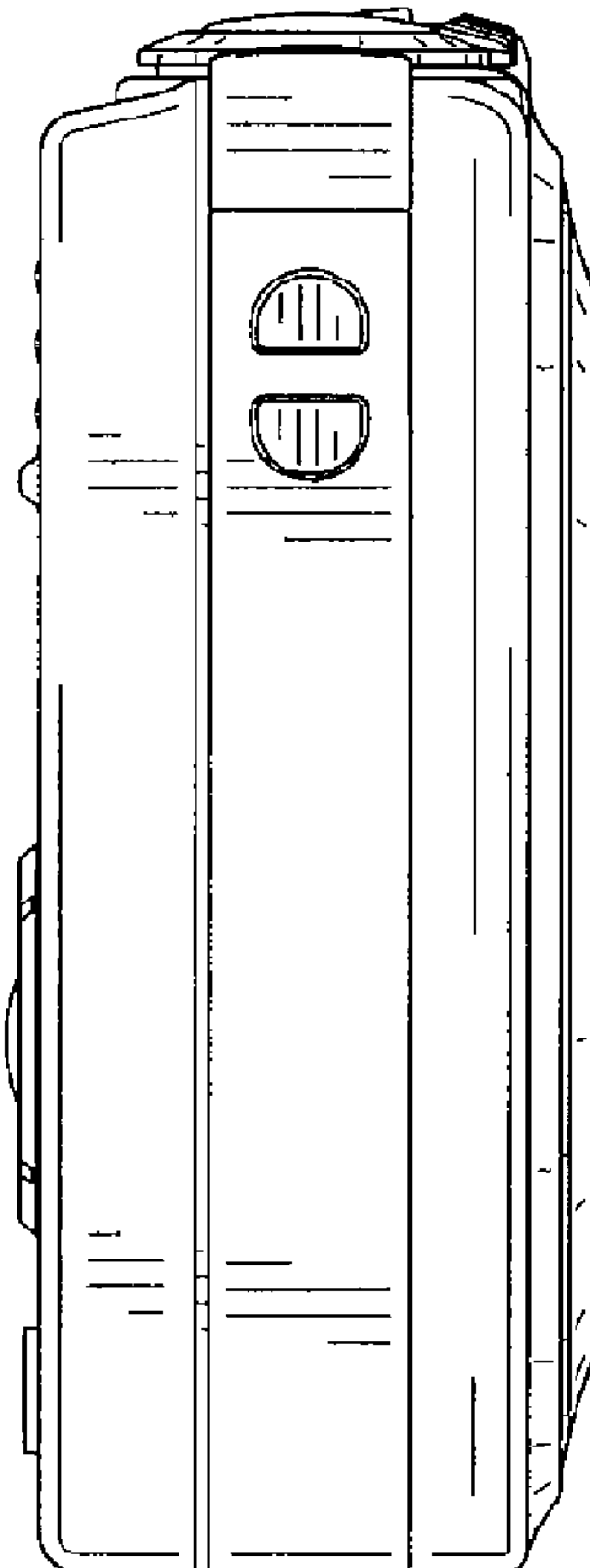


FIG.7

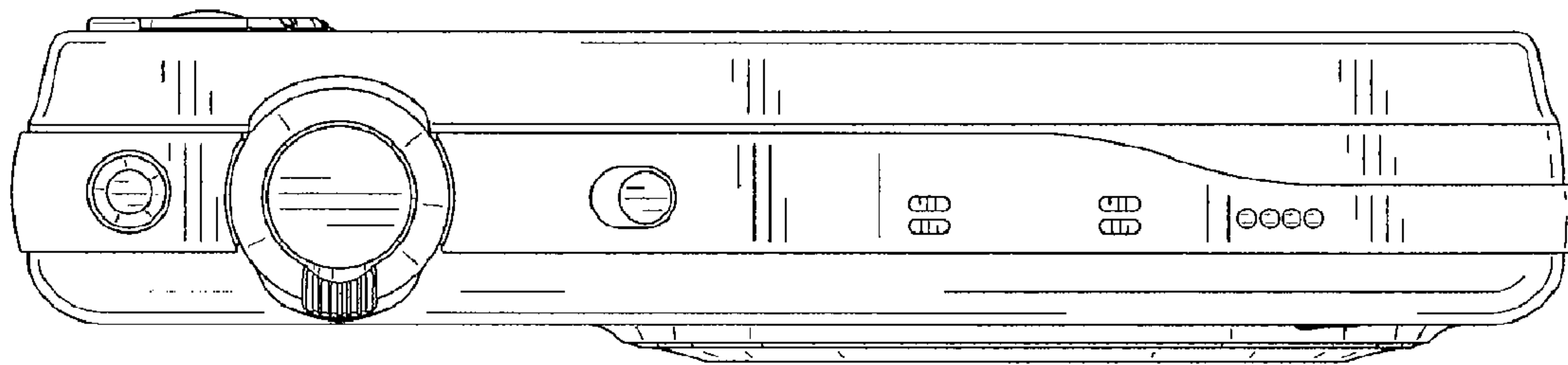




FIG.8

