

US00D669508S

(12) **United States Design Patent**
Krink et al.

(10) **Patent No.:** **US D669,508 S**

(45) **Date of Patent:** **** Oct. 23, 2012**

(54) **NOZZLE FOR TORCH**

(75) Inventors: **Volker Krink**, Finsterwalde (DE);
Frank Laurisch, Finsterwalde (DE);
Timo Grundke, Finsterwalde (DE)

(73) Assignee: **Kjellberg Stiftung, rechtsfähige
Stiftung des burgenländischen Rechts**,
Finsterwalde (DE)

(**) Term: **14 Years**

(21) Appl. No.: **29/404,324**

(22) Filed: **Oct. 19, 2011**

(30) **Foreign Application Priority Data**

Apr. 19, 2011 (EM) 001853151

(51) **LOC (9) Cl.** **15-09**

(52) **U.S. Cl.** **D15/144.1**

(58) **Field of Classification Search** D9/447,
D9/452; D24/129; D15/144, 144.1, 144.2;
219/121.4-121.5, 121, 51

See application file for complete search history.

(56) **References Cited**

U.S. PATENT DOCUMENTS

3,790,742 A * 2/1974 Auer 219/121.5
D299,352 S * 1/1989 Spaulding et al. D15/144
4,864,097 A * 9/1989 Wallner 219/121.52
4,954,688 A * 9/1990 Winterfeldt 219/121.5
D328,018 S * 7/1992 Severance D8/30
D359,058 S * 6/1995 Carkhuff D15/144
D379,577 S * 6/1997 Carkhuff D8/30
5,680,965 A * 10/1997 Beck 222/153.06
5,856,647 A * 1/1999 Luo 219/121.5
D407,726 S * 4/1999 Zigliotto D15/144
6,169,264 B1 * 1/2001 Marhic 219/121.5
D451,113 S * 11/2001 Shintani et al. D15/144
D488,885 S * 4/2004 Wong D27/161
D490,315 S * 5/2004 Kiser D9/445

D506,764 S * 6/2005 Kuraoka et al. D15/144
D545,964 S * 7/2007 Blanco D24/129
D580,960 S * 11/2008 Yamaguchi et al. D15/144
D582,449 S * 12/2008 Yamaguchi et al. D15/144
D582,950 S * 12/2008 Yamaguchi et al. D15/144
2003/0153895 A1 * 8/2003 Leinsing 604/403
2007/0175870 A1 * 8/2007 Hanus et al. 219/121.5

(Continued)

FOREIGN PATENT DOCUMENTS

DE OS 1 565 638 4/1970

(Continued)

Primary Examiner — Patricia Palasik

(74) *Attorney, Agent, or Firm* — Jon L. Woodard; David S.
Willoughby; MacDonald, Illig, Jones & Britton LLP

(57) **CLAIM**

What is claimed the ornamental design for a nozzle for torch,
as shown and described.

DESCRIPTION

FIG. 1 is a front perspective view of the nozzle for torch of the
invention;

FIG. 2 is a left side perspective view of the nozzle for torch
shown in FIG. 1;

FIG. 3 is a rear perspective view of the nozzle for torch shown
in FIG. 1;

FIG. 4 is a front view of the nozzle for torch shown in FIG. 1;

FIG. 5 is a rear view of the nozzle for torch shown in FIG. 1;

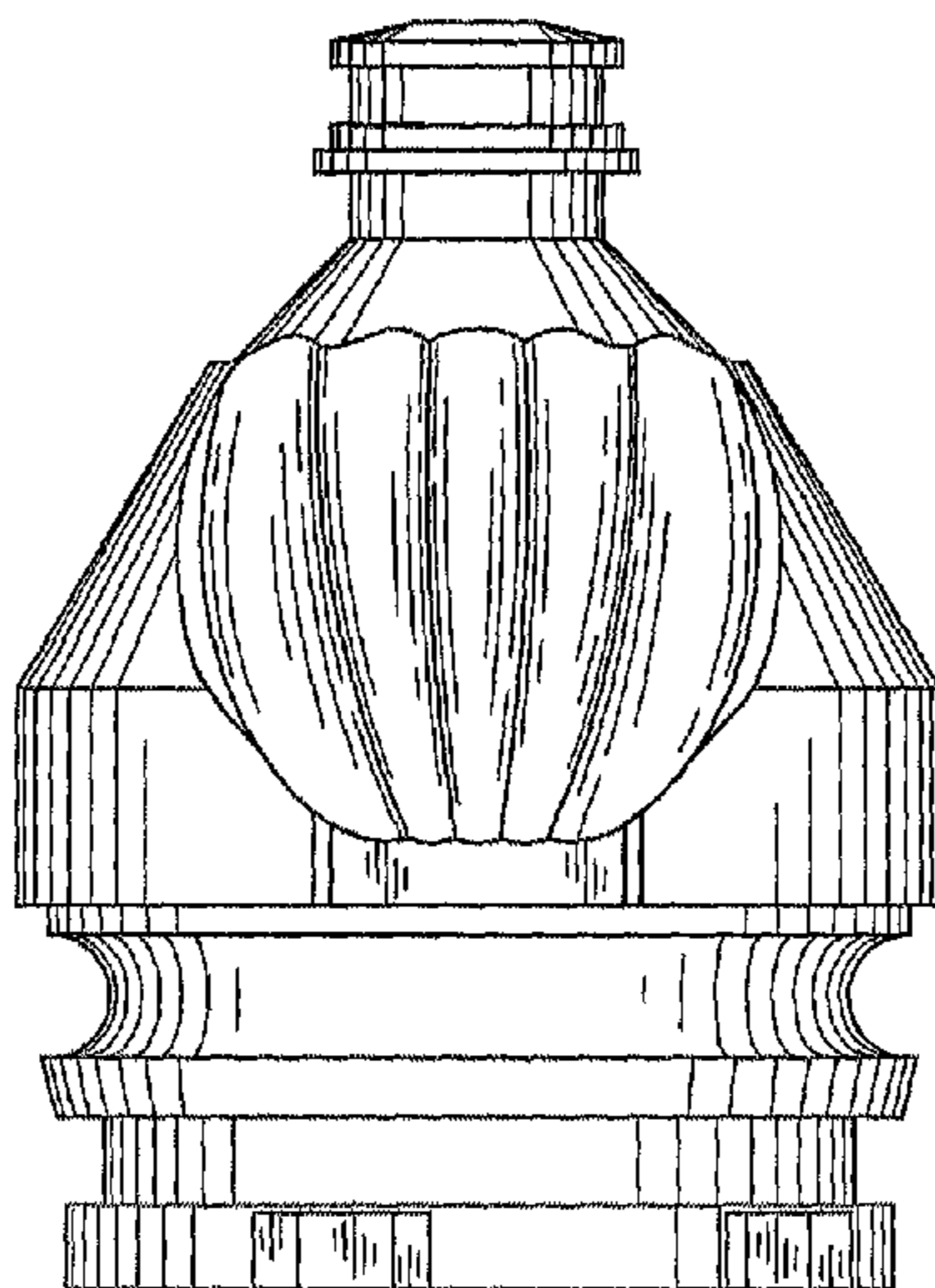
FIG. 6 is a left side view of the nozzle for torch shown in FIG.
1;

FIG. 7 is a right side view of the nozzle for torch shown in
FIG. 1;

FIG. 8 is a top view of the nozzle for torch shown in FIG. 1;
and,

FIG. 9 is a bottom view of the nozzle for torch shown in FIG.
1.

1 Claim, 4 Drawing Sheets



US D669,508 S

Page 2

U.S. PATENT DOCUMENTS

2008/0210669 A1 9/2008 Yang et al. 219/121.49

FOREIGN PATENT DOCUMENTS

DE 81 32 660.2 4/1983
DE 44 07 913 A1 6/1994

DE 198 28 633 12/1999
DE 102007005316 B4 3/2008
DE 699 37 323 T2 7/2008
WO WO 2008/019661 A2 2/2008

* cited by examiner

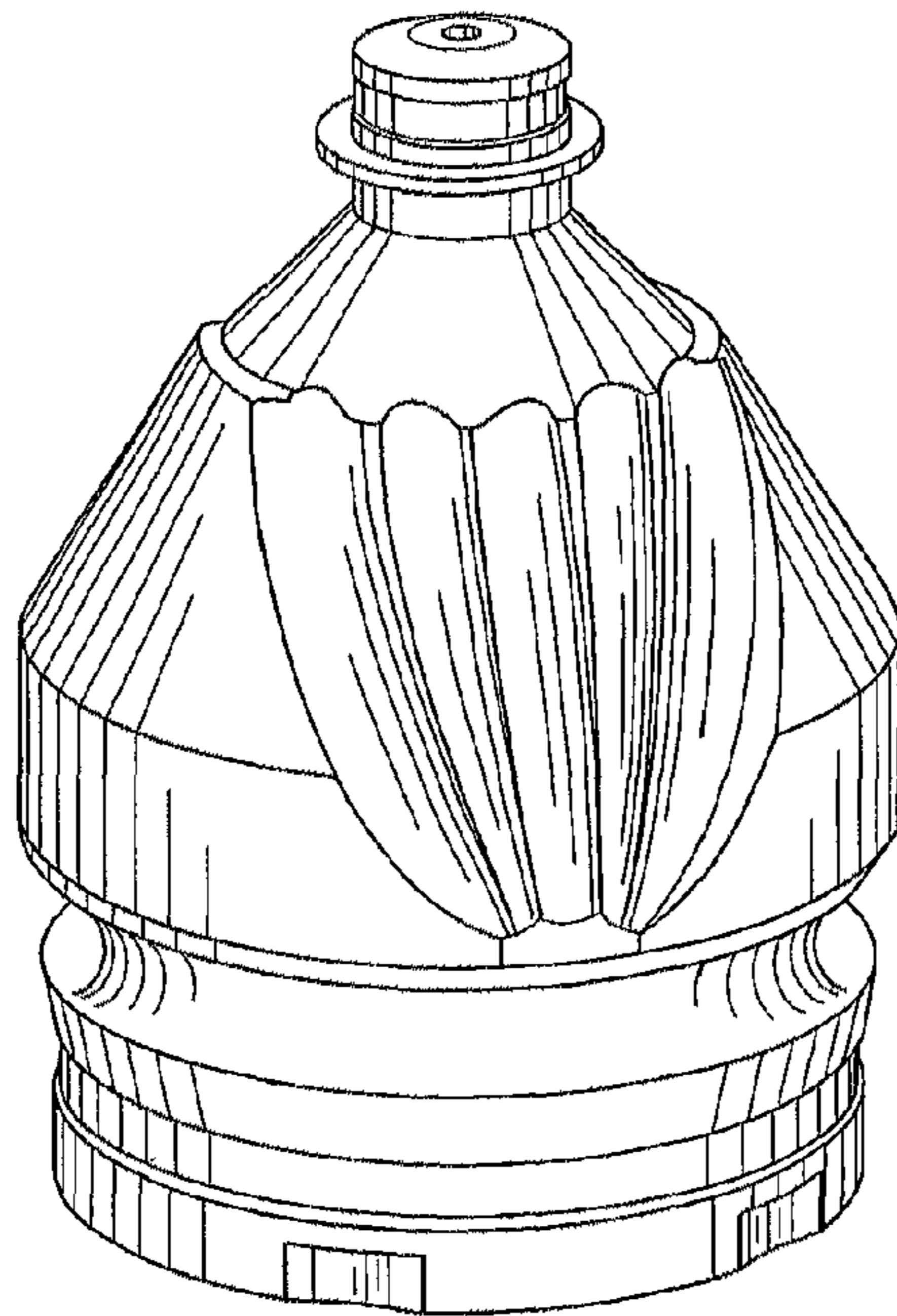


Fig. 1

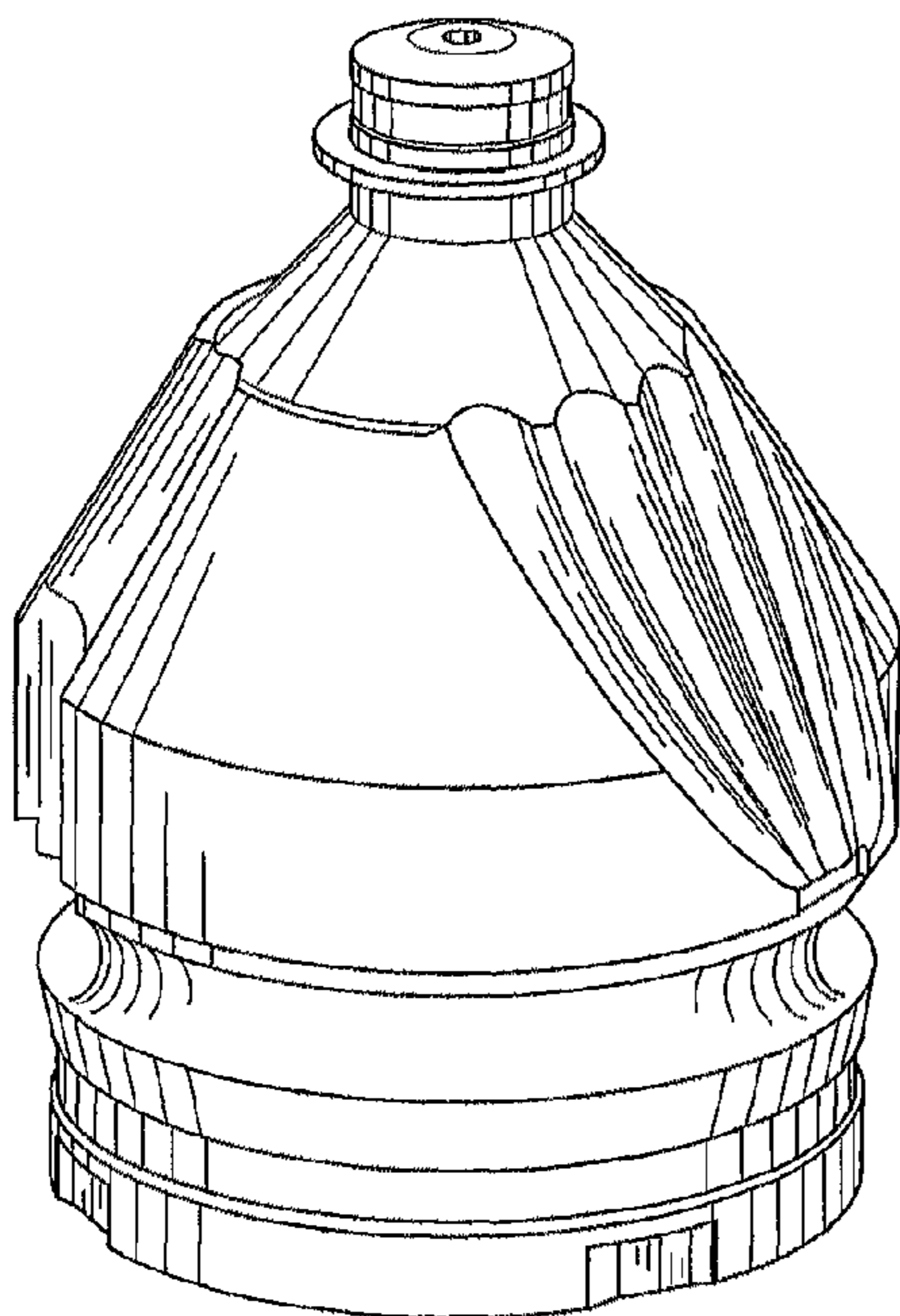


Fig. 2

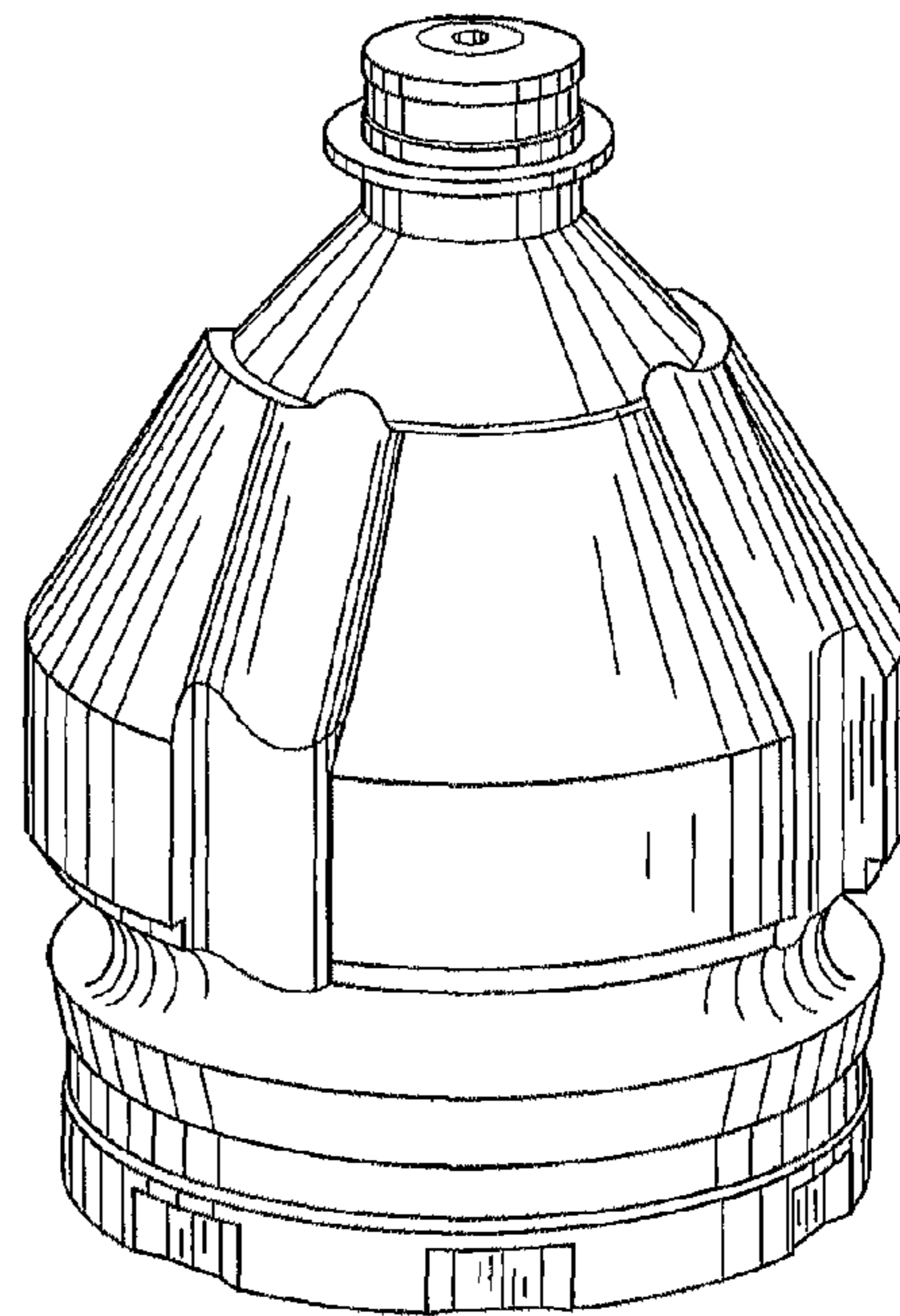


Fig. 3

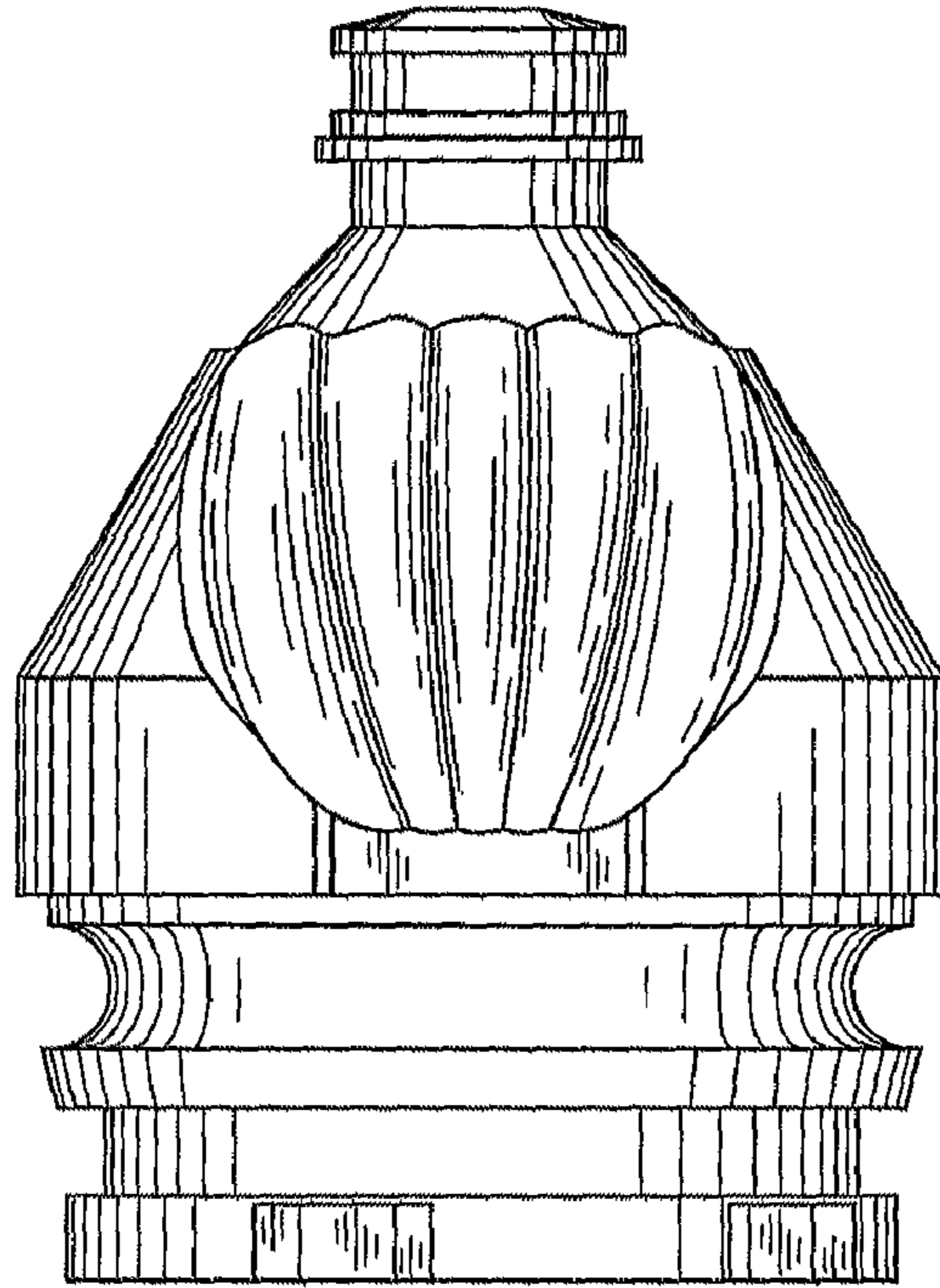


Fig. 4

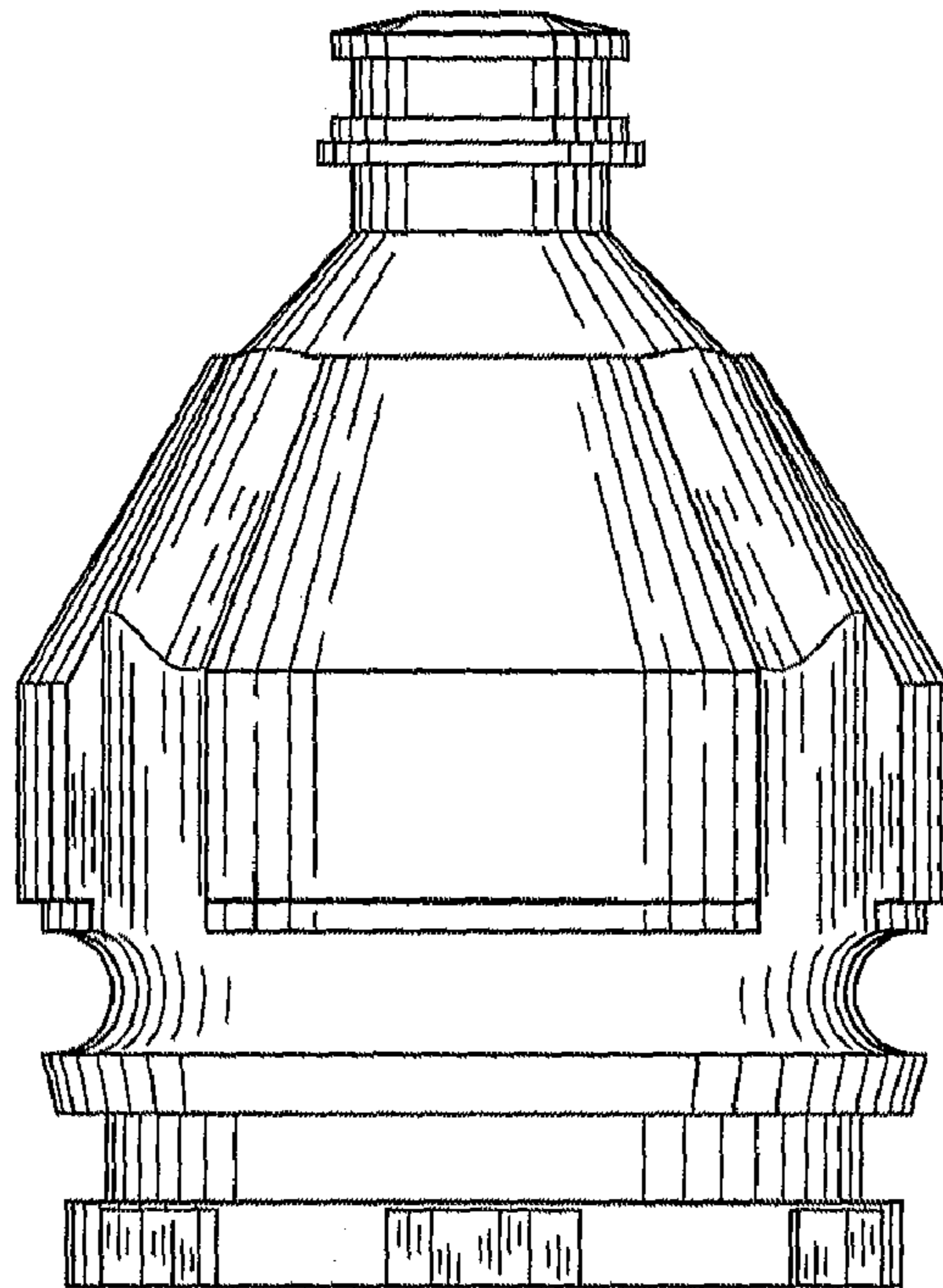


Fig. 5

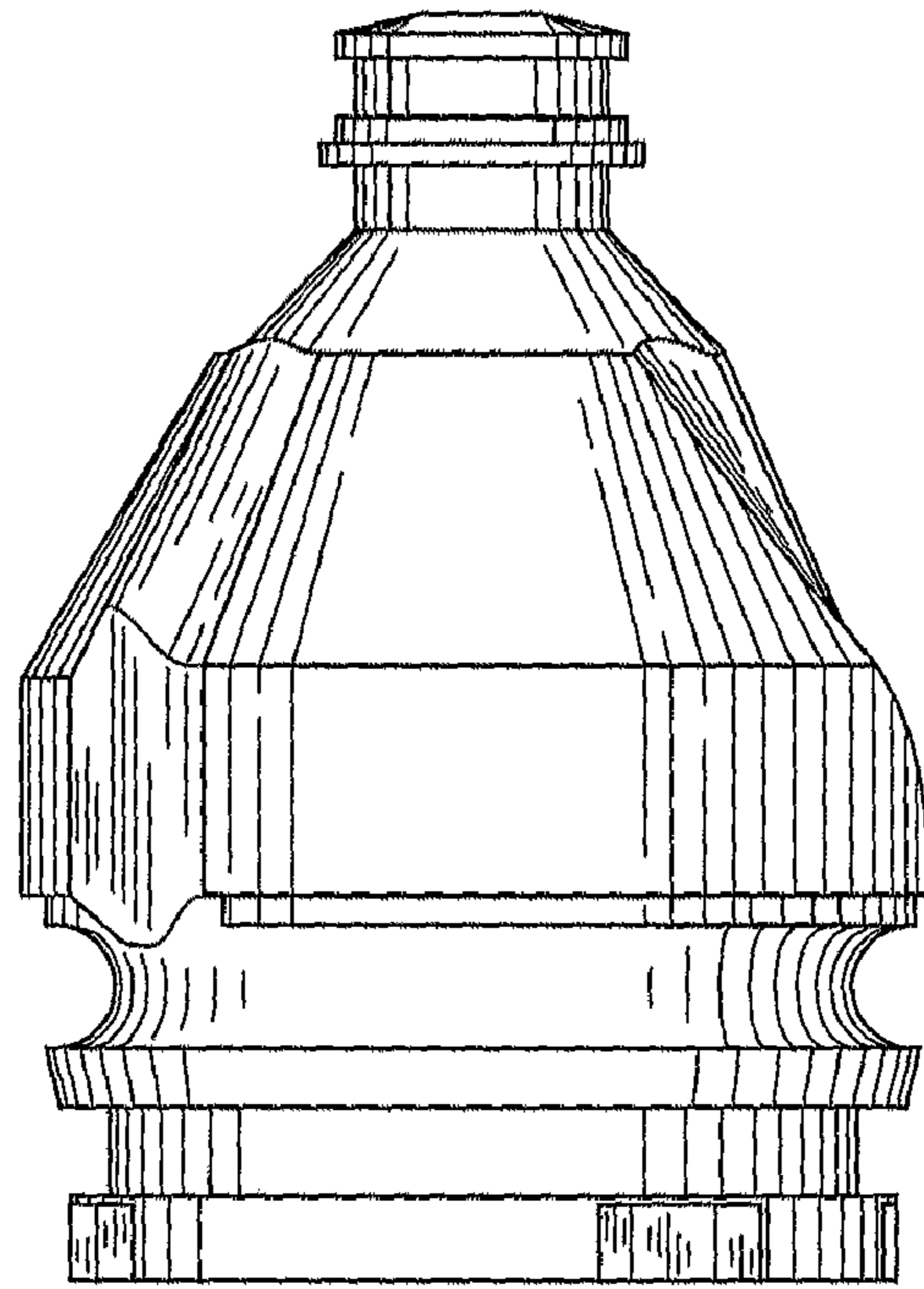


Fig. 6

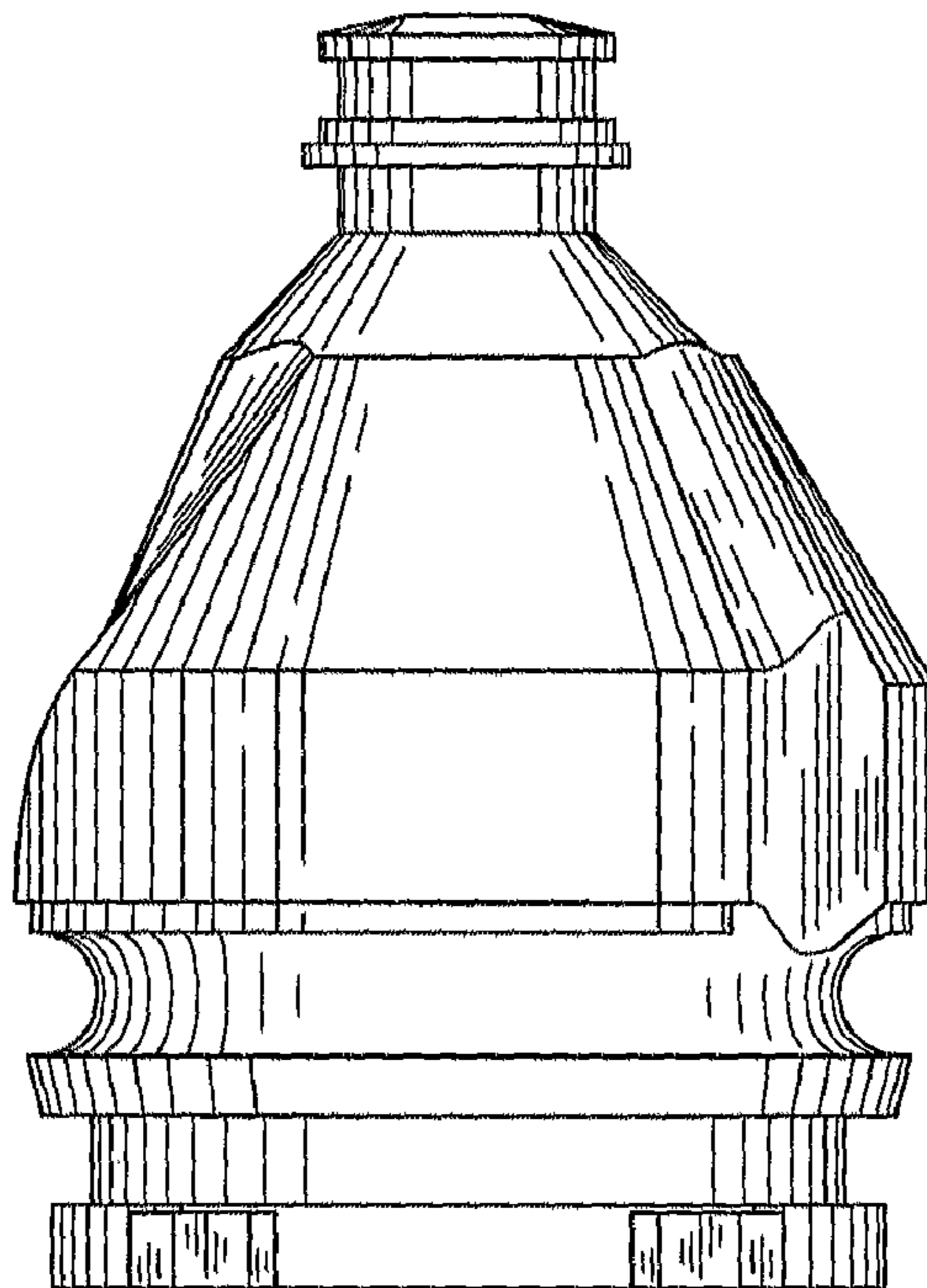


Fig. 7

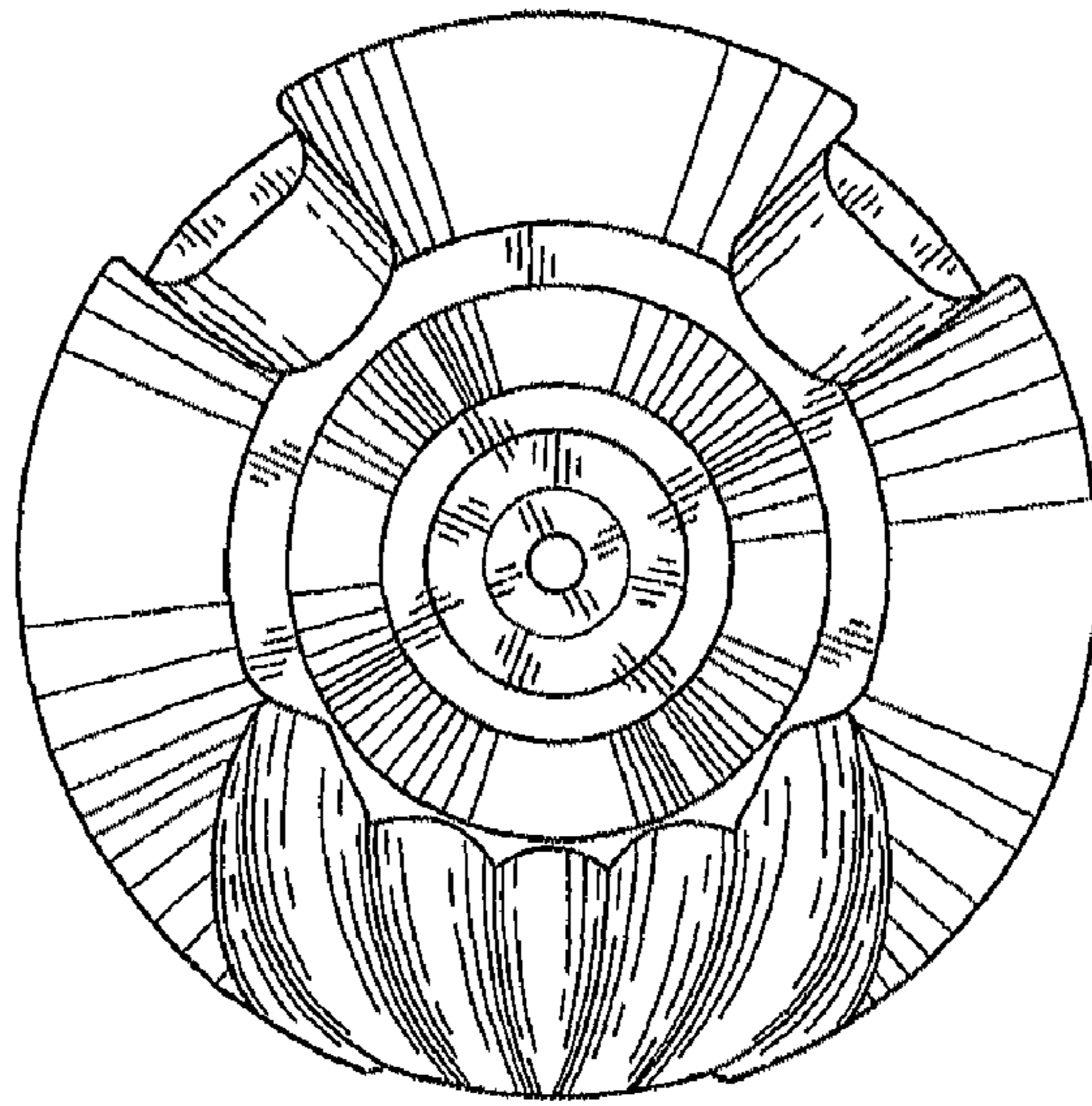


Fig. 8

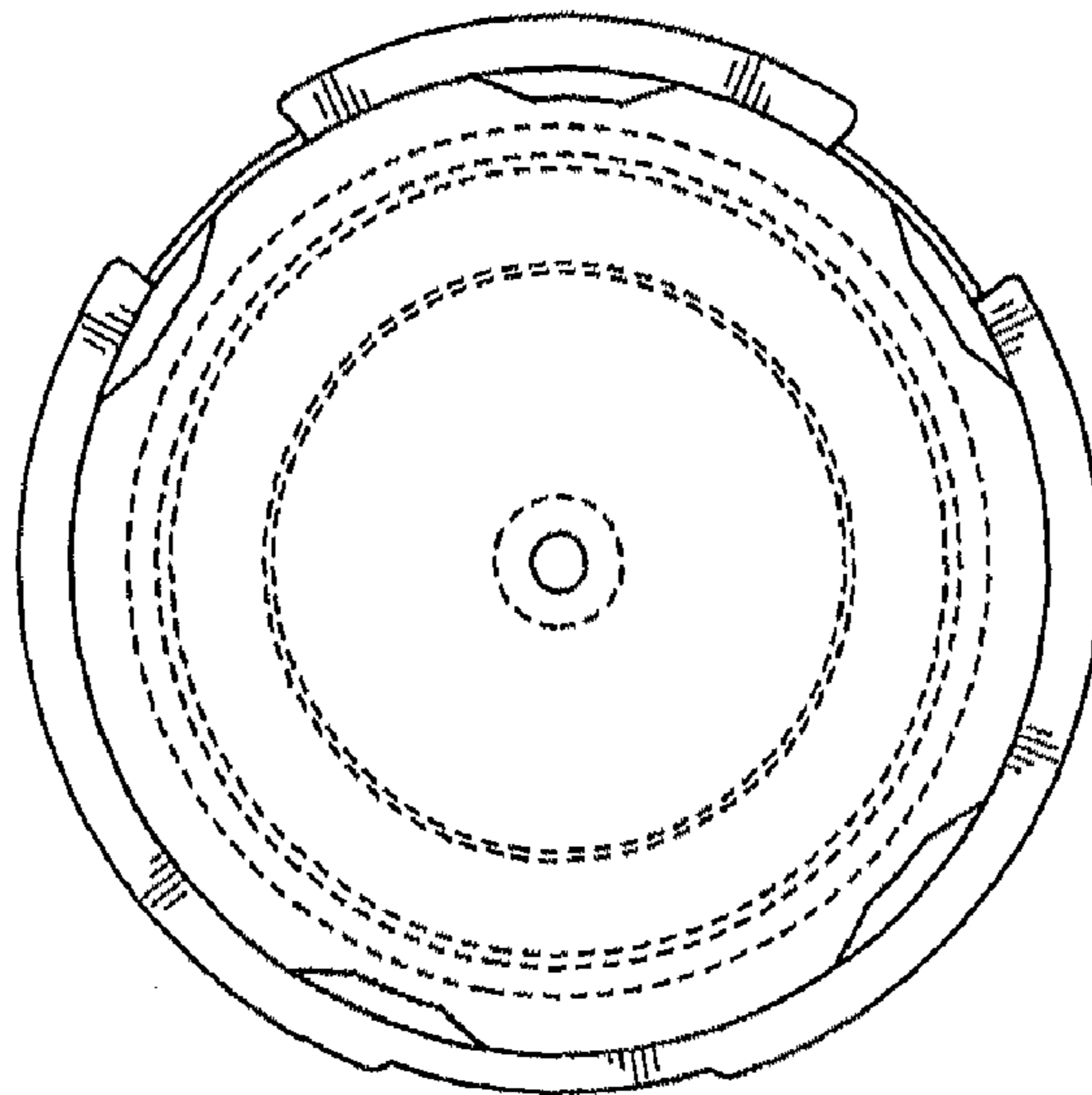


Fig. 9