

US00D669507S

(12) **United States Design Patent**  
**Banjo et al.**

(10) **Patent No.:** **US D669,507 S**  
(45) **Date of Patent:** **\*\* Oct. 23, 2012**

(54) **LOG SPLITTING DEVICE**

(75) Inventors: **Daniel Banjo**, Boulder, CO (US);  
**Jonathan Harrach-Salazar**, Erie, CO (US)

(73) Assignee: **Special Products Co.**, Golden, CO (US)

(\*\*) Term: **14 Years**

(21) Appl. No.: **29/376,699**

(22) Filed: **Oct. 11, 2010**

(51) **LOC (9) Cl.** ..... **15-09**

(52) **U.S. Cl.** ..... **D15/127**

(58) **Field of Classification Search** ..... D8/47;  
D15/28, 127, 133, 138, 139, 199; 83/468.1,  
83/471.2, 471.3, 477.2, 486.1, 574, 701,  
83/928; 108/12, 19; 144/193.1–195.6, 195.8,  
144/286.5, 287, 366; 254/104; 269/1  
See application file for complete search history.

(56) **References Cited**

**U.S. PATENT DOCUMENTS**

3,862,651	A *	1/1975	Heikkinen	.....	144/4.6
D255,686	S *	7/1980	Duppong et al.	.....	D15/139
4,240,476	A *	12/1980	Ratray	.....	144/195.1
4,366,848	A *	1/1983	Gavinski	.....	144/195.1
4,431,362	A *	2/1984	Wech et al.	.....	414/685
4,444,232	A *	4/1984	Loos	.....	144/195.1
4,467,851	A *	8/1984	Hockman	.....	144/193.1
4,506,712	A *	3/1985	Johnson	.....	144/195.1
4,589,457	A *	5/1986	Schmidt et al.	.....	144/195.8

4,782,870	A *	11/1988	Duerr	.....	144/195.1
4,842,030	A *	6/1989	Meyer	.....	144/195.1
4,961,452	A *	10/1990	Hudson	.....	144/195.1
5,337,810	A *	8/1994	McCormack	.....	144/195.1
D528,570	S *	9/2006	Lewis et al.	.....	D15/127
D552,133	S *	10/2007	Babcock et al.	.....	D15/127
D566,733	S *	4/2008	Babcock	.....	D15/138
7,695,214	B2 *	4/2010	Mailand	.....	404/90

**OTHER PUBLICATIONS**

Official Action for Canadian Patent Application No. 140003, dated May 12, 2011.

\* cited by examiner

*Primary Examiner* — Patricia Palasik

(74) *Attorney, Agent, or Firm* — Schwabe Williamson & Wyatt

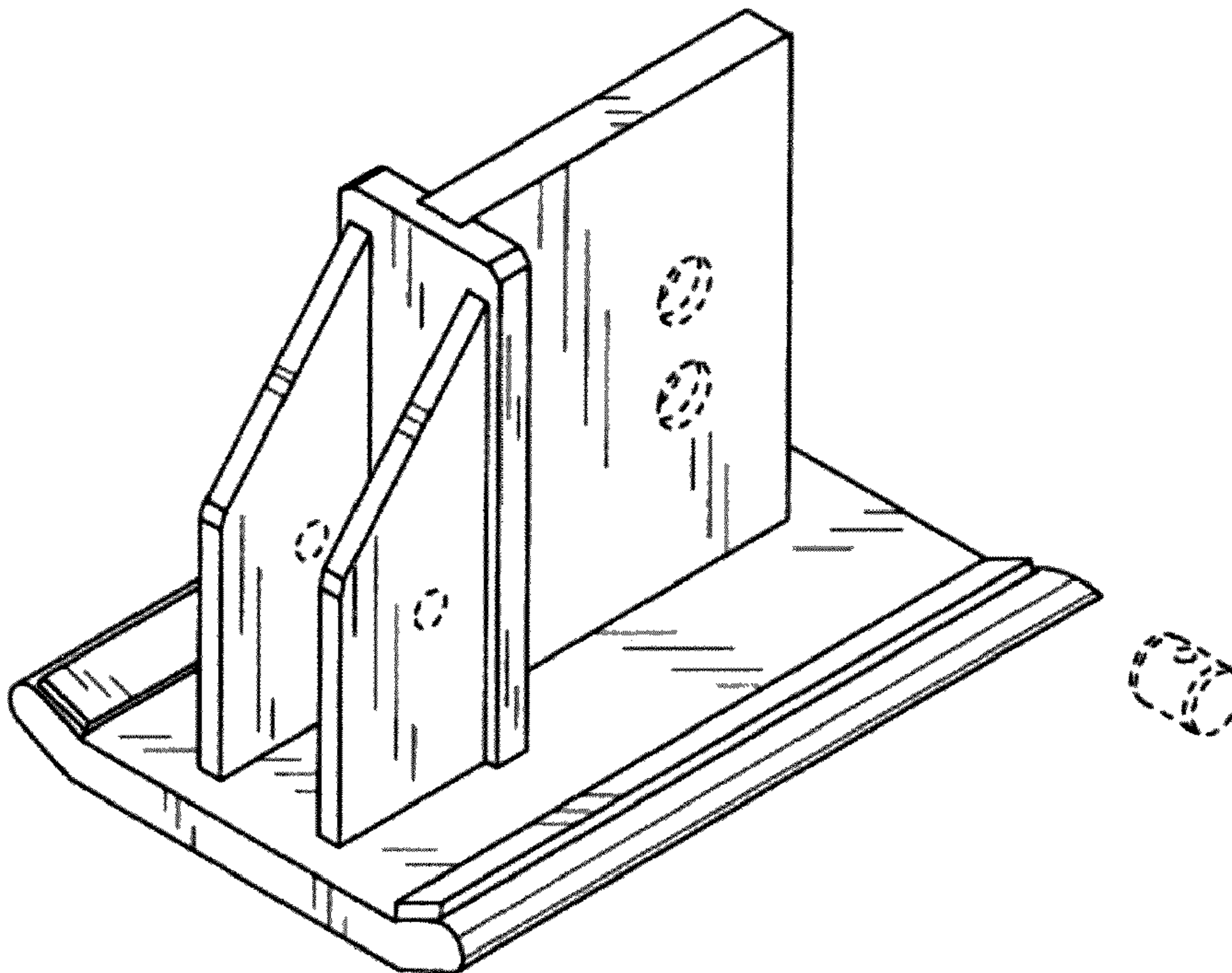
(57) **CLAIM**

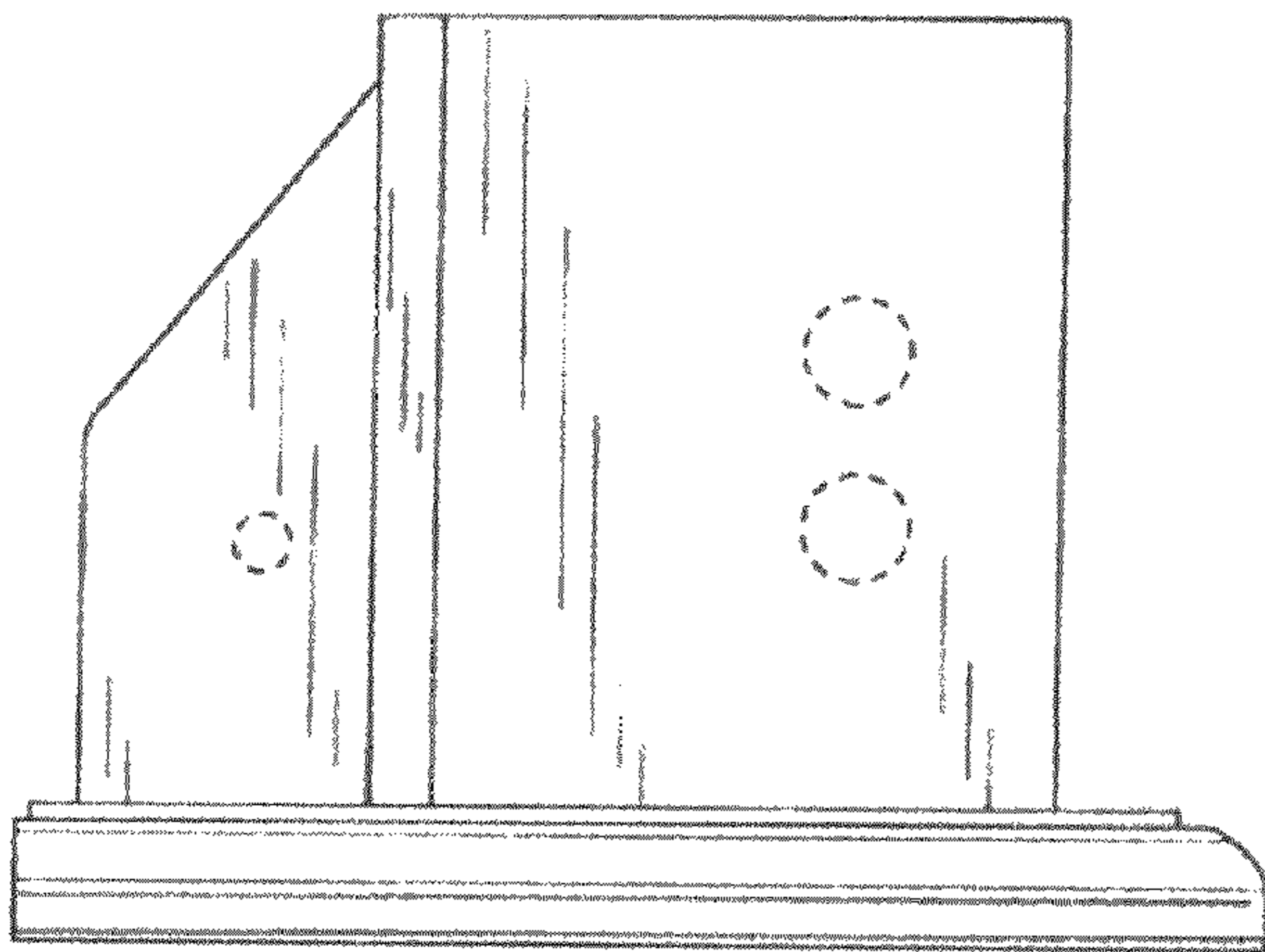
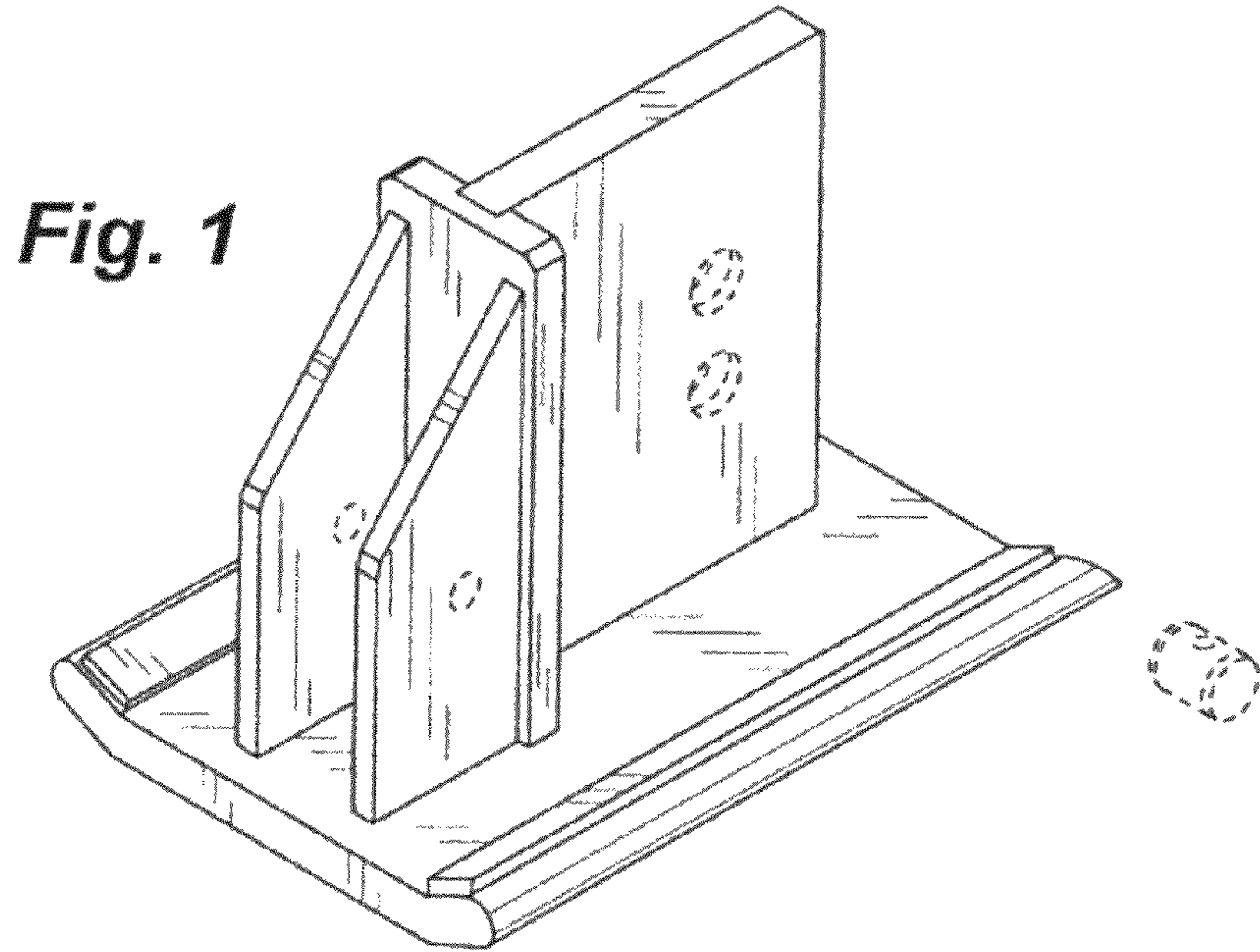
The ornamental design for a log splitting device, as shown and described.

**DESCRIPTION**

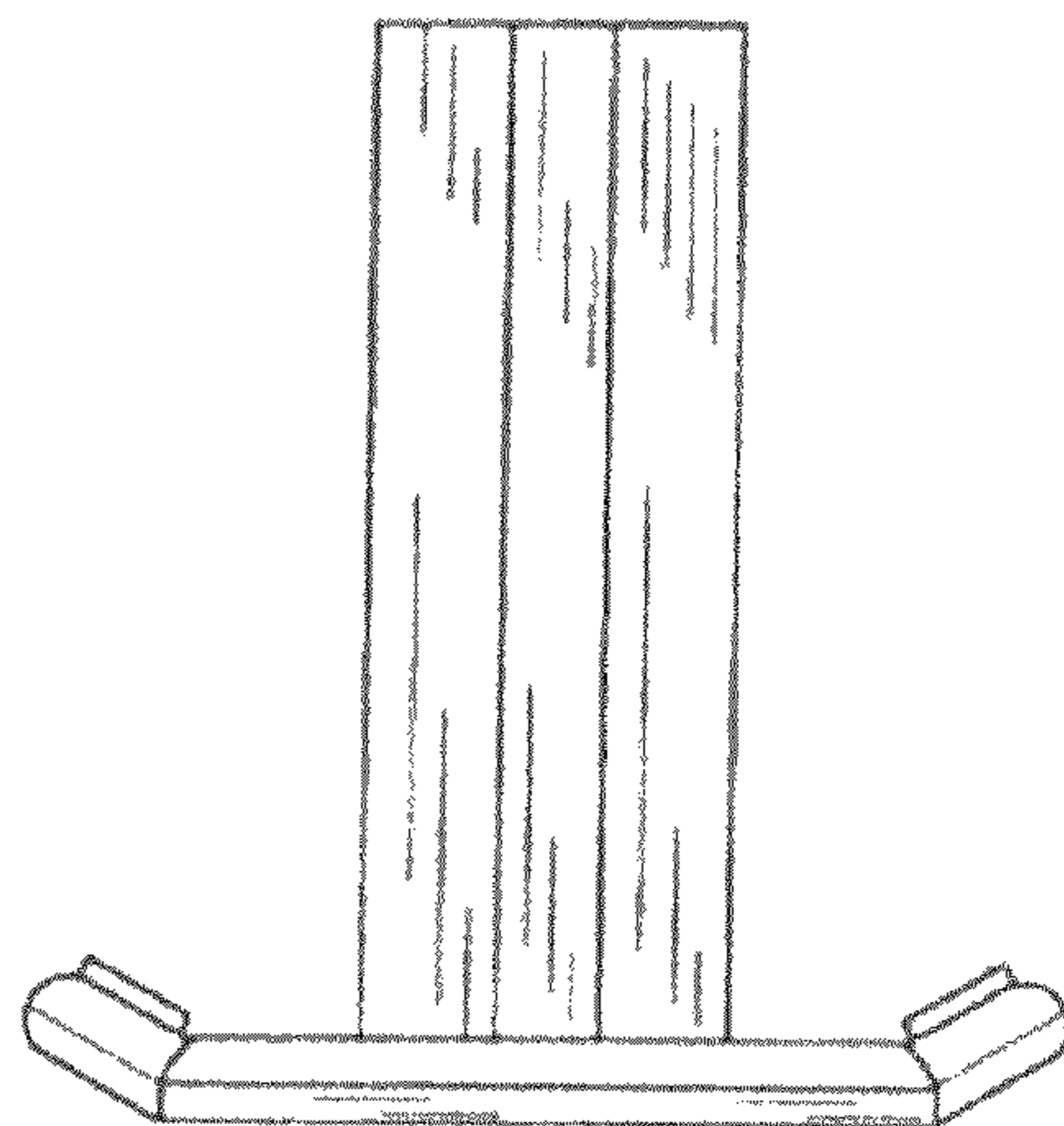
FIG. 1 is a front perspective view of a log splitting device; FIG. 2 is a front elevational view thereof; FIG. 3 is a right elevation view thereof; FIG. 4 is a top plan view thereof; FIG. 5 is a rear elevation view thereof; FIG. 6 is a left elevation view thereof; and, FIG. 7 is a bottom plan view thereof. The broken lines showing environment are for illustrative purposes only and form no part of the claimed design.

**1 Claim, 2 Drawing Sheets**



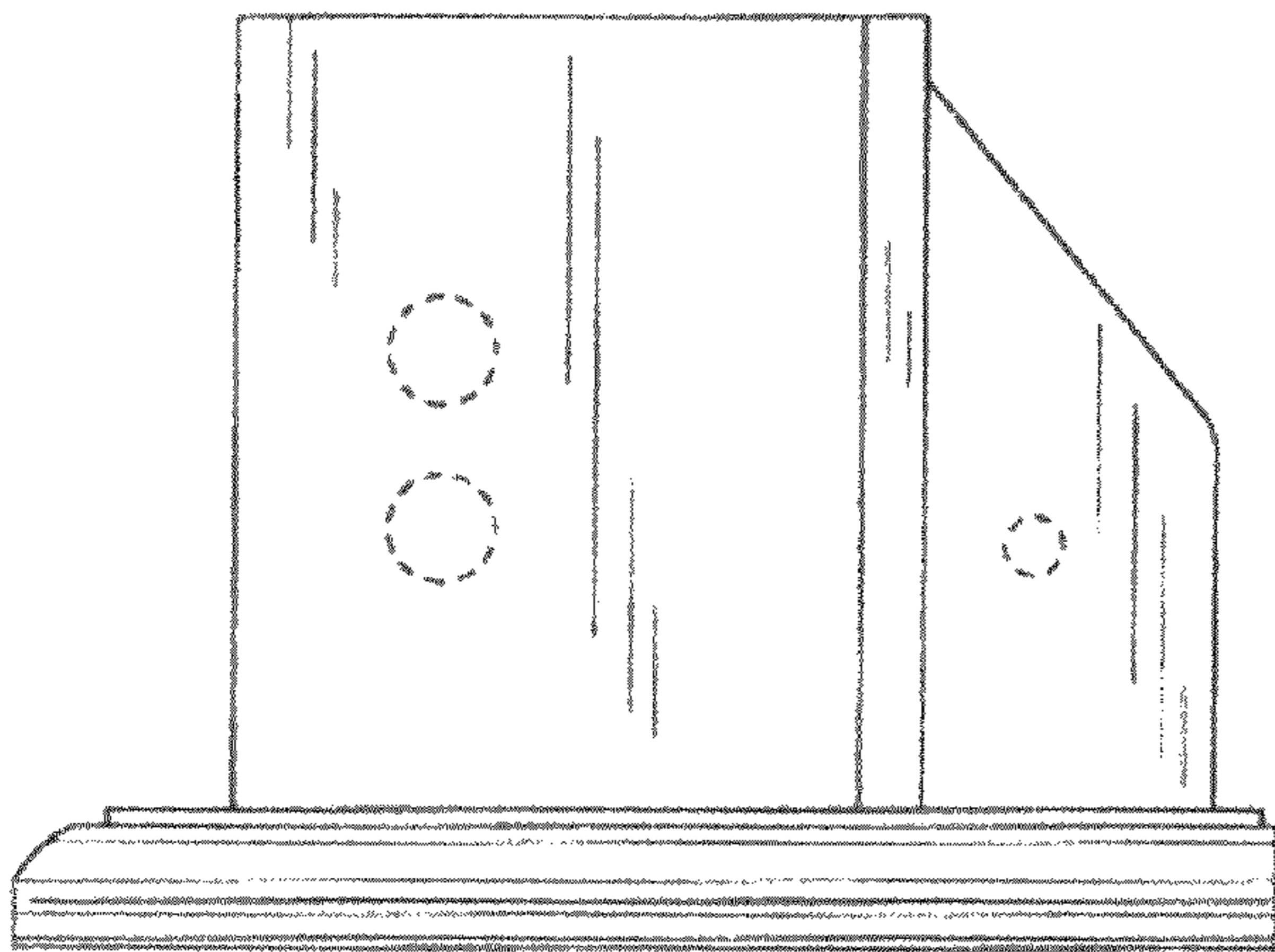
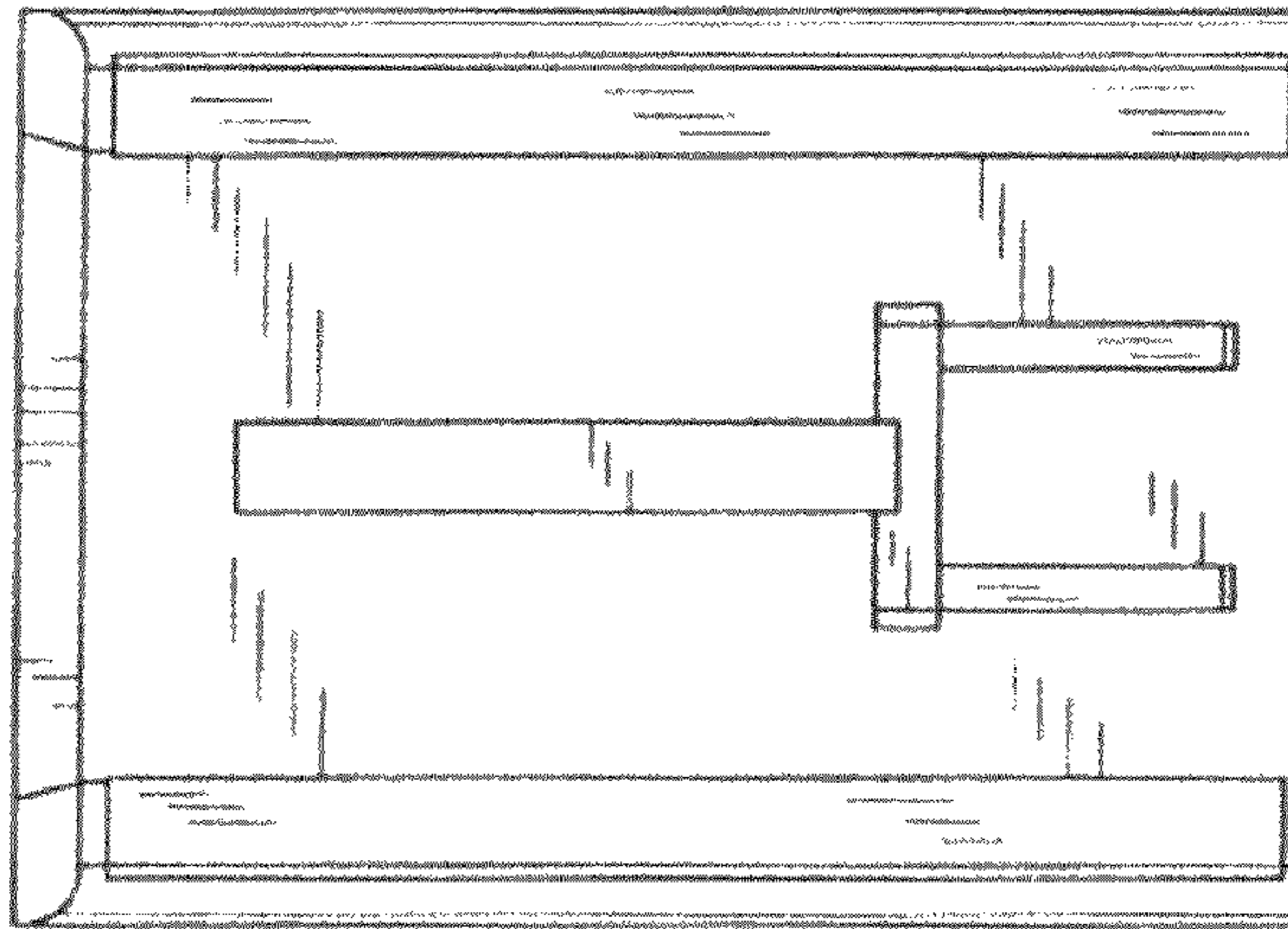


**Fig. 2**

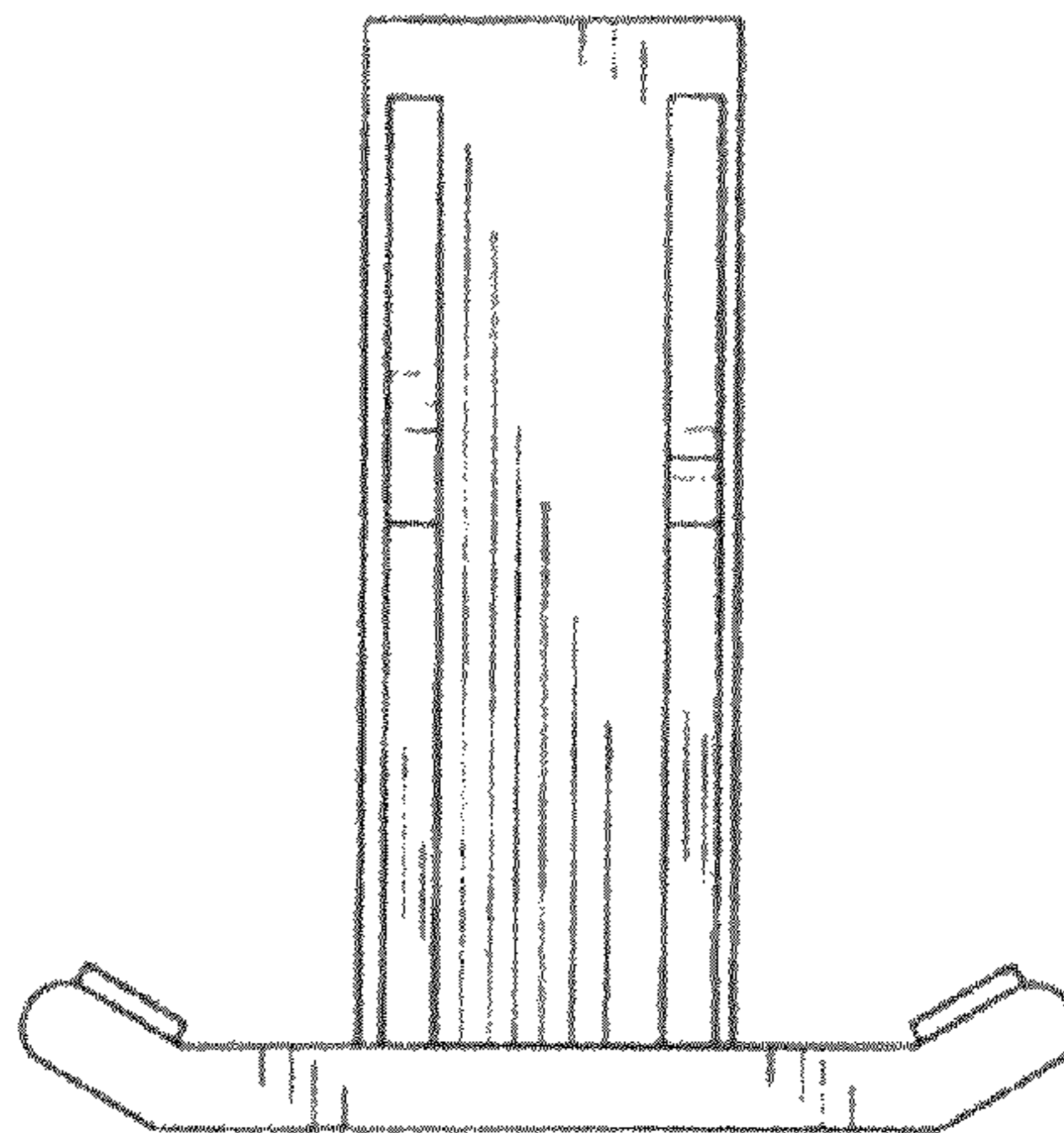


**Fig. 3**

**Fig. 4**



**Fig. 5**



**Fig. 6**

**Fig. 7**

