



US00D669505S

(12) **United States Design Patent**  
**Buhr et al.**

(10) **Patent No.:** **US D669,505 S**

(45) **Date of Patent:** **\*\* Oct. 23, 2012**

(54) **CHISEL HOLDER BAR**

(75) Inventors: **Karsten Buhr**, Willroth (DE); **Thomas Lehnert**, Oberraden (DE); **Cyrus Barimani**, Koenigswinter (DE); **Guenter Haehn**, Koenigswinter (DE)

(73) Assignee: **Wirtgen GmbH** (DE)

(\*\*) Term: **14 Years**

(21) Appl. No.: **29/419,715**

(22) Filed: **May 1, 2012**

(30) **Foreign Application Priority Data**

Nov. 23, 2011 (EM) ..... 001951781-0003

(51) **LOC (9) Cl.** ..... **15-03**

(52) **U.S. Cl.** ..... **D15/28; D15/140; D8/71**

(58) **Field of Classification Search** ..... D15/28, D15/29, 130, 132, 135, 136, 138-141, 144.1, D15/144.2; D8/71; 37/455, 456, 465; 299/79.1, 299/100-113, 86, 91, 92, 93; 411/82.2, 82.5, 411/257, 258, 901-903, 914, 916, 930, 55, 411/14, 44, 334  
See application file for complete search history.

(56) **References Cited**

**U.S. PATENT DOCUMENTS**

D137,803 S \* 5/1944 Wilson ..... D15/140  
D242,274 S \* 11/1976 Dahlberg et al. .... D15/28  
4,915,455 A \* 4/1990 O'Neill et al. .... 299/102  
4,998,778 A \* 3/1991 Braun et al. .... 299/108  
5,529,384 A \* 6/1996 Ojanen et al. .... 299/107  
5,893,677 A 4/1999 Haehn et al.  
6,234,579 B1 \* 5/2001 Montgomery, Jr. .... 299/106  
7,300,115 B2 \* 11/2007 Holl et al. .... 299/106  
D567,270 S \* 4/2008 Chiang ..... D15/140

7,401,862 B2 \* 7/2008 Holl et al. .... 299/39.6  
D574,689 S \* 8/2008 Holl et al. .... D8/71  
D575,610 S \* 8/2008 Holl et al. .... D8/71  
D585,259 S \* 1/2009 Holl et al. .... D8/71  
7,547,075 B2 \* 6/2009 Tewes et al. .... 299/106  
7,597,402 B2 \* 10/2009 Tewes et al. .... 299/102

(Continued)

**FOREIGN PATENT DOCUMENTS**

DE 19504495 A1 8/1996

**OTHER PUBLICATIONS**

Co-pending U.S. Appl. No. 13/251,535, filed Oct. 3, 2011 to Buhr et al.

(Continued)

*Primary Examiner* — Mark Goodwin

(74) *Attorney, Agent, or Firm* — Waddey & Patterson, P.C.;  
Lucian Wayne Beavers

(57) **CLAIM**

What is claimed is the ornamental design for a chisel holder bar, as shown and described.

**DESCRIPTION**

FIG. 1 is an upper front left side perspective view of the chisel holder bar.

FIG. 2 is a rear elevation view of the chisel holder bar of FIG. 1.

FIG. 3 is a front elevation view of the chisel holder bar of FIG. 1.

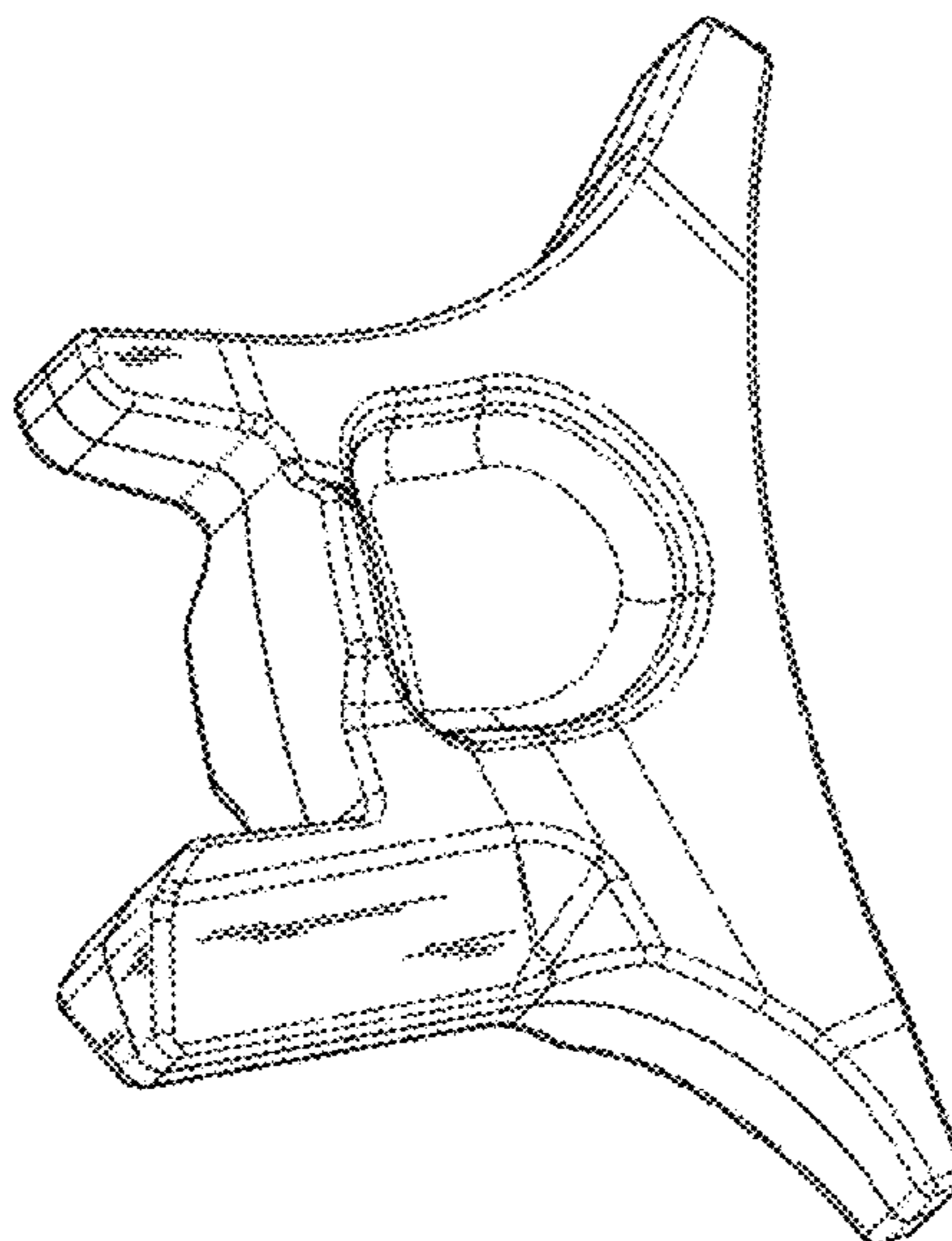
FIG. 4 is a top view of the chisel holder bar of FIG. 1.

FIG. 5 is a bottom view of the chisel holder bar of FIG. 1.

FIG. 6 is a right side elevation view of the chisel holder bar of FIG. 1; and,

FIG. 7 is a left side elevation view of the chisel holder bar of FIG. 1.

**1 Claim, 7 Drawing Sheets**



# US D669,505 S

Page 2

---

## U.S. PATENT DOCUMENTS

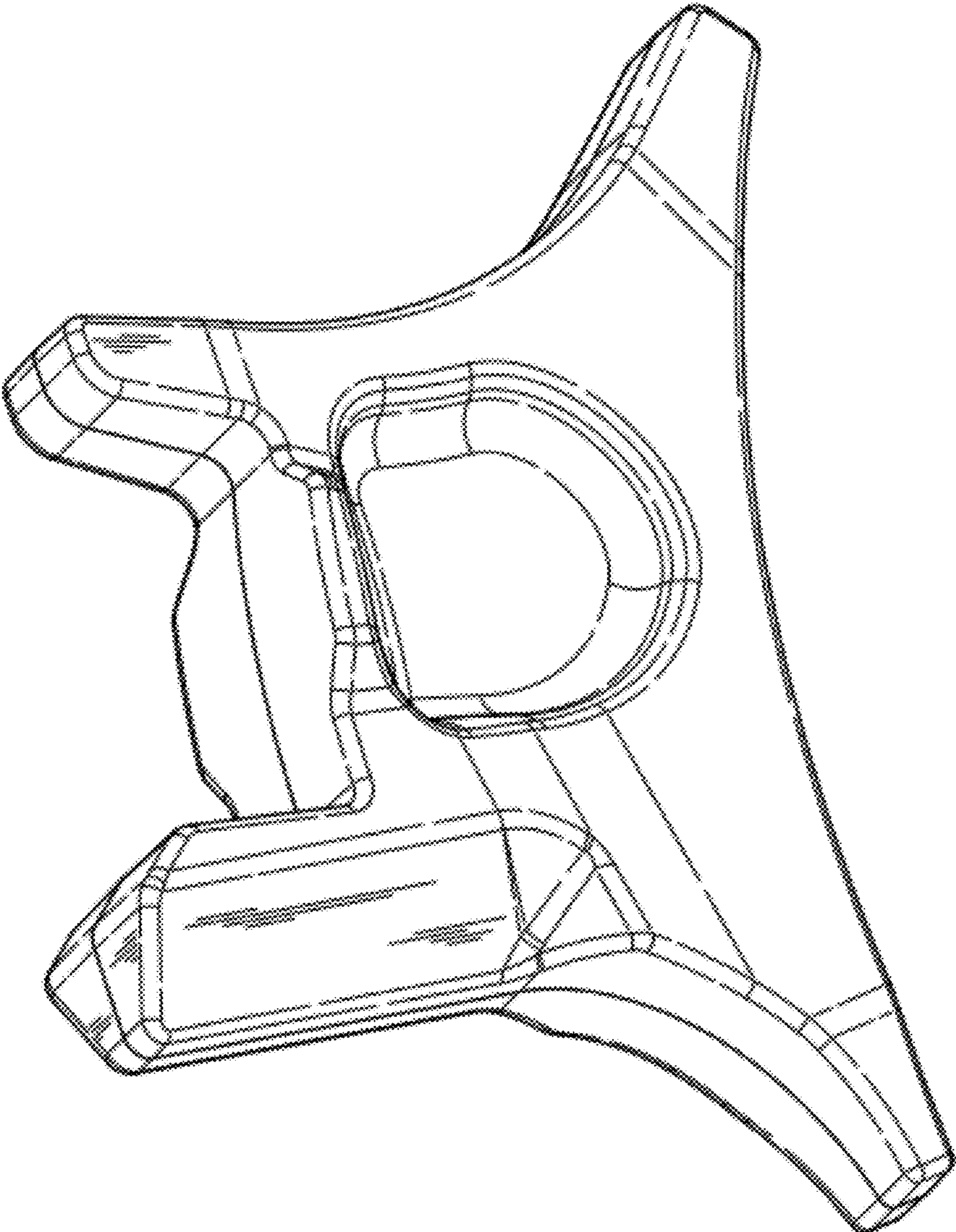
7,784,875 B2 \* 8/2010 Holl et al. .... 299/102  
D638,453 S \* 5/2011 Buhr et al. .... D15/140  
8,099,847 B2 \* 1/2012 Hahn et al. .... 29/252  
8,113,592 B2 \* 2/2012 Busley et al. .... 299/39.6  
D657,648 S \* 4/2012 Wachsmann ..... D8/71  
2003/0132660 A1 \* 7/2003 Holl et al. .... 299/102  
2006/0119165 A1 \* 6/2006 Holl et al. .... 299/106

2007/0241605 A1 \* 10/2007 Tewes et al. .... 299/102  
2008/0223744 A1 \* 9/2008 Tewes et al. .... 206/349  
2009/0289493 A1 \* 11/2009 Holl et al. .... 299/102

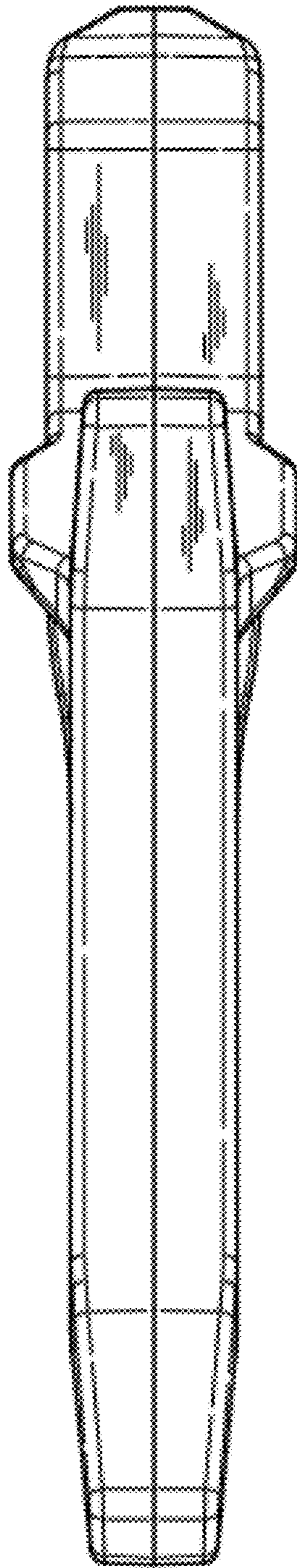
## OTHER PUBLICATIONS

Co-pending U.S. Appl. No. 29/419,718, filed May 1, 2012 to Buhr et al.

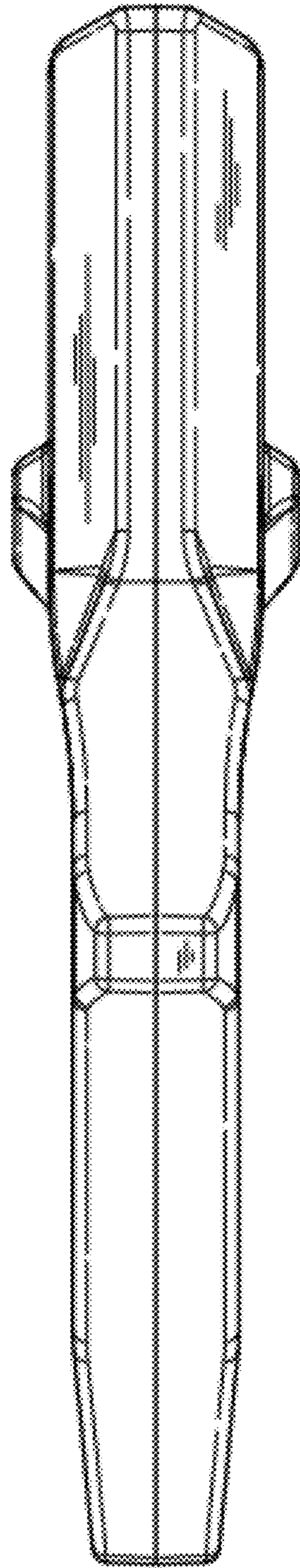
\* cited by examiner



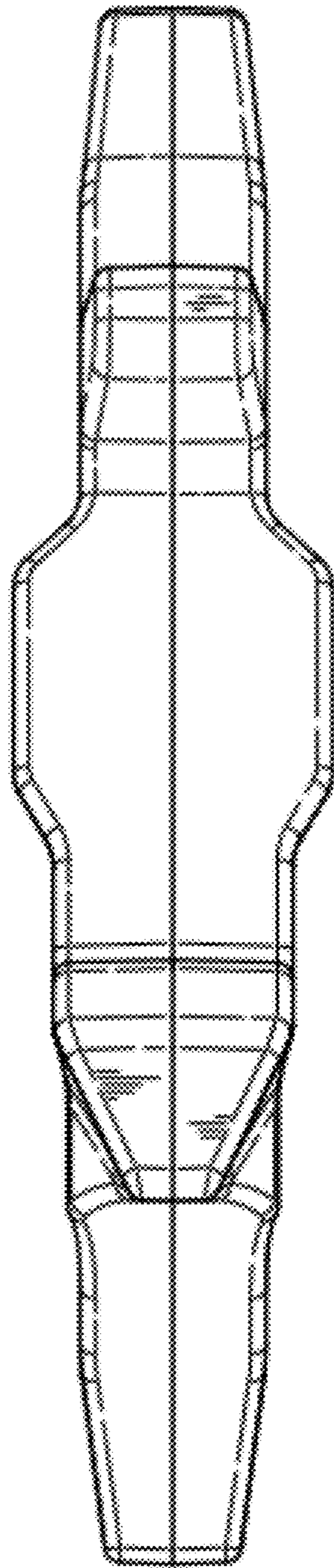
*FIG. 1*



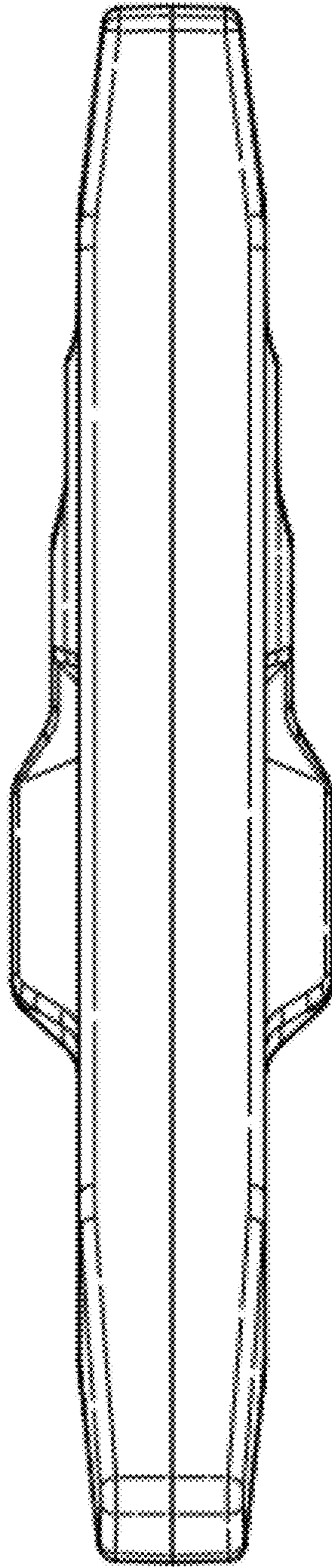
***FIG. 2***



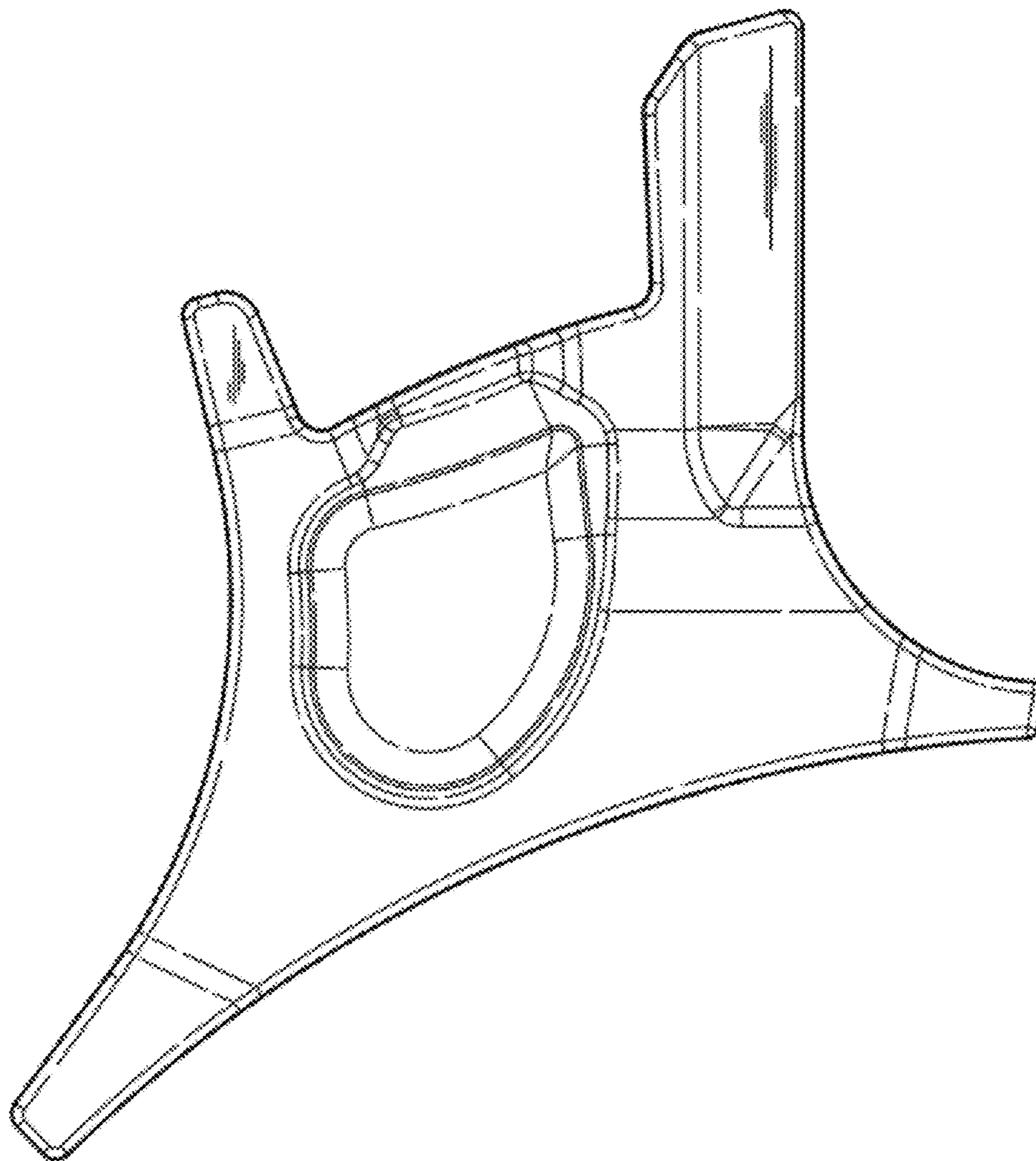
**FIG. 3**



**FIG. 4**

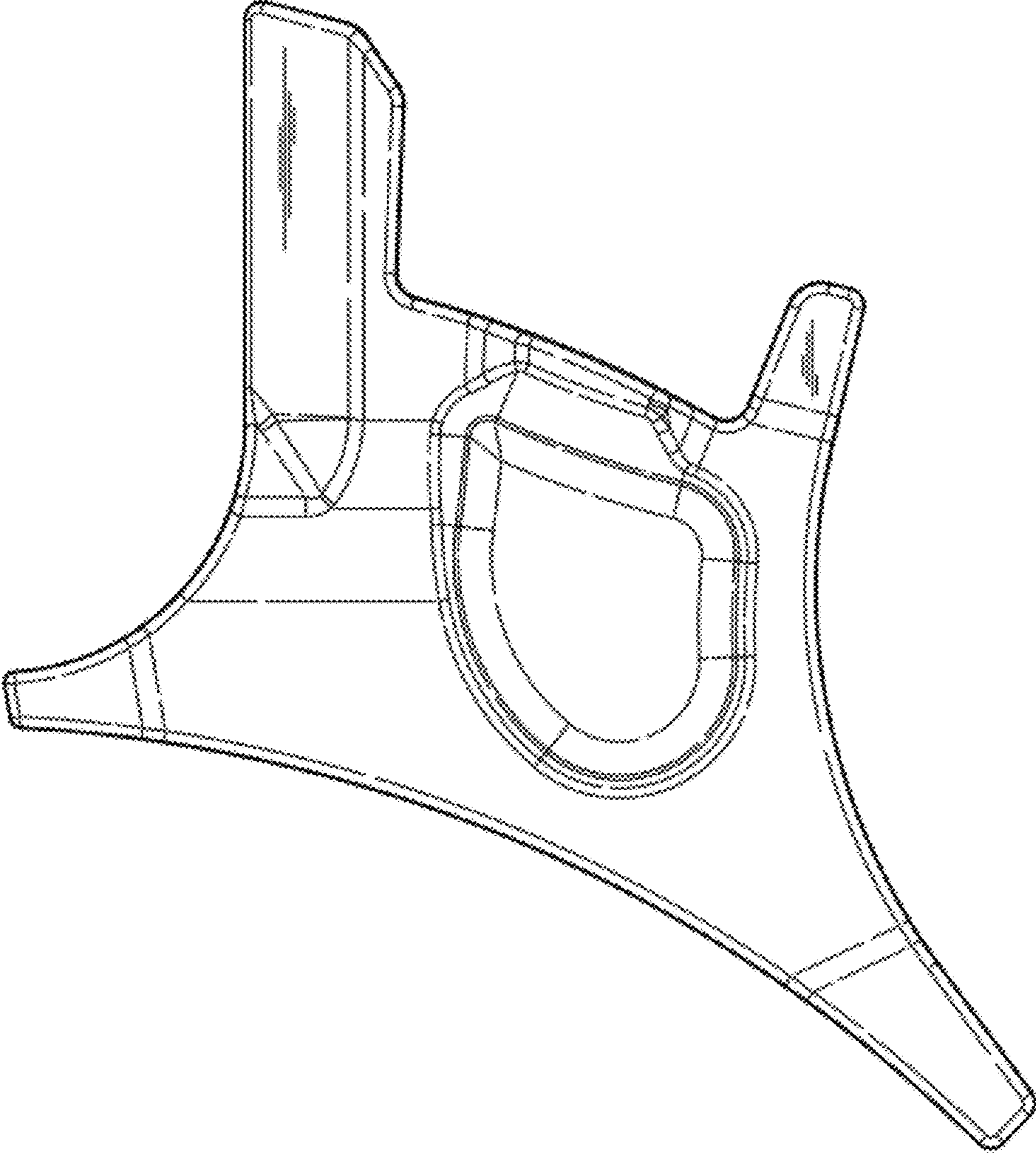


***FIG. 5***



**FIG. 6**





**FIG. 7**