



US00D669503S

(12) **United States Design Patent**
Nomizo

(10) **Patent No.:** **US D669,503 S**
(45) **Date of Patent:** **** Oct. 23, 2012**

(54) **RUBBER CRAWLER**
(75) Inventor: **Juichi Nomizo**, Chuo-ku (JP)
(73) Assignee: **Bridgestone Corporation**, Tokyo (JP)
(**) Term: **14 Years**
(21) Appl. No.: **29/388,714**
(22) Filed: **Mar. 31, 2011**

D613,775 S * 4/2010 Mizusawa D15/28
D615,106 S * 5/2010 Shimozono D15/28
D618,254 S * 6/2010 Shimozono D15/28
D626,973 S * 11/2010 Shimozono D15/28

FOREIGN PATENT DOCUMENTS

JP 510831-2 S 9/1981
JP 510831-3 S 9/1981
JP 923520 S 4/1995
JP 1180763 S 7/2003
JP 1214658 S 8/2004

(30) **Foreign Application Priority Data**

Nov. 10, 2010 (JP) 2010-027057
Mar. 7, 2011 (JP) 2011-005176

(51) **LOC (9) Cl.** **15-03**
(52) **U.S. Cl.** **D15/28**
(58) **Field of Classification Search** D15/22-26,
D15/28; D21/491, 495, 537, 431, 484; 152/108,
152/62, 88; 305/35, 44, 160, 185, 53, 201,
305/46, 50, 196, 198, 200, 39, 162, 187,
305/191, 189

See application file for complete search history.

OTHER PUBLICATIONS

Japanese Design Gazette dated Dec. 12, 2011 issued in the counter-
part Japanese Design Application No. D2010-27057.
Japanese Design Gazette dated Dec. 12, 2011 issued in the counter-
part Japanese Design Application No. D2011-5176.

* cited by examiner

Primary Examiner — Mark Goodwin
(74) *Attorney, Agent, or Firm* — Sughrue Mion, PLLC

(57) **CLAIM**

The ornamental design for a rubber crawler, as shown and described.

DESCRIPTION

(56) **References Cited**

U.S. PATENT DOCUMENTS

6,079,802 A * 6/2000 Nishimura et al. 305/157
D454,890 S * 3/2002 Tsuru D15/28
D484,515 S * 12/2003 Nishimura D15/28
D496,051 S * 9/2004 Yoshida D15/28
D514,133 S * 1/2006 Fujita D15/28
D543,218 S * 5/2007 Yoshida D15/28
D549,741 S * 8/2007 Tateishi D15/28
D557,713 S * 12/2007 Sugihara D15/28
D561,786 S * 2/2008 Tateishi D15/28
D562,353 S * 2/2008 Sugihara D15/28
D562,852 S * 2/2008 Tateishi D15/28
D565,605 S * 4/2008 Tateishi D15/28
D565,606 S * 4/2008 Sugihara D15/28
D567,823 S * 4/2008 Hagio D15/28
D602,962 S * 10/2009 Miyamoto et al. D15/28
D613,774 S * 4/2010 Mizusawa D15/28

FIG. 1 is a perspective view of a rubber crawler showing my new design;
FIG. 2 is a perspective view 2 thereof;
FIG. 3 is a front view thereof;
FIG. 4 is a rear view thereof;
FIG. 5 is a top view thereof;
FIG. 6 is a bottom view thereof;
FIG. 7 is a left side view thereof;
FIG. 8 is a right side view thereof; and,
FIG. 9 is a front central longitudinal sectional view taken along line 9-9 in FIG. 3.
Broken lines in the drawing figures are used to show unclaimed portions of the rubber crawler, and thus form no part of the claimed invention.

1 Claim, 8 Drawing Sheets

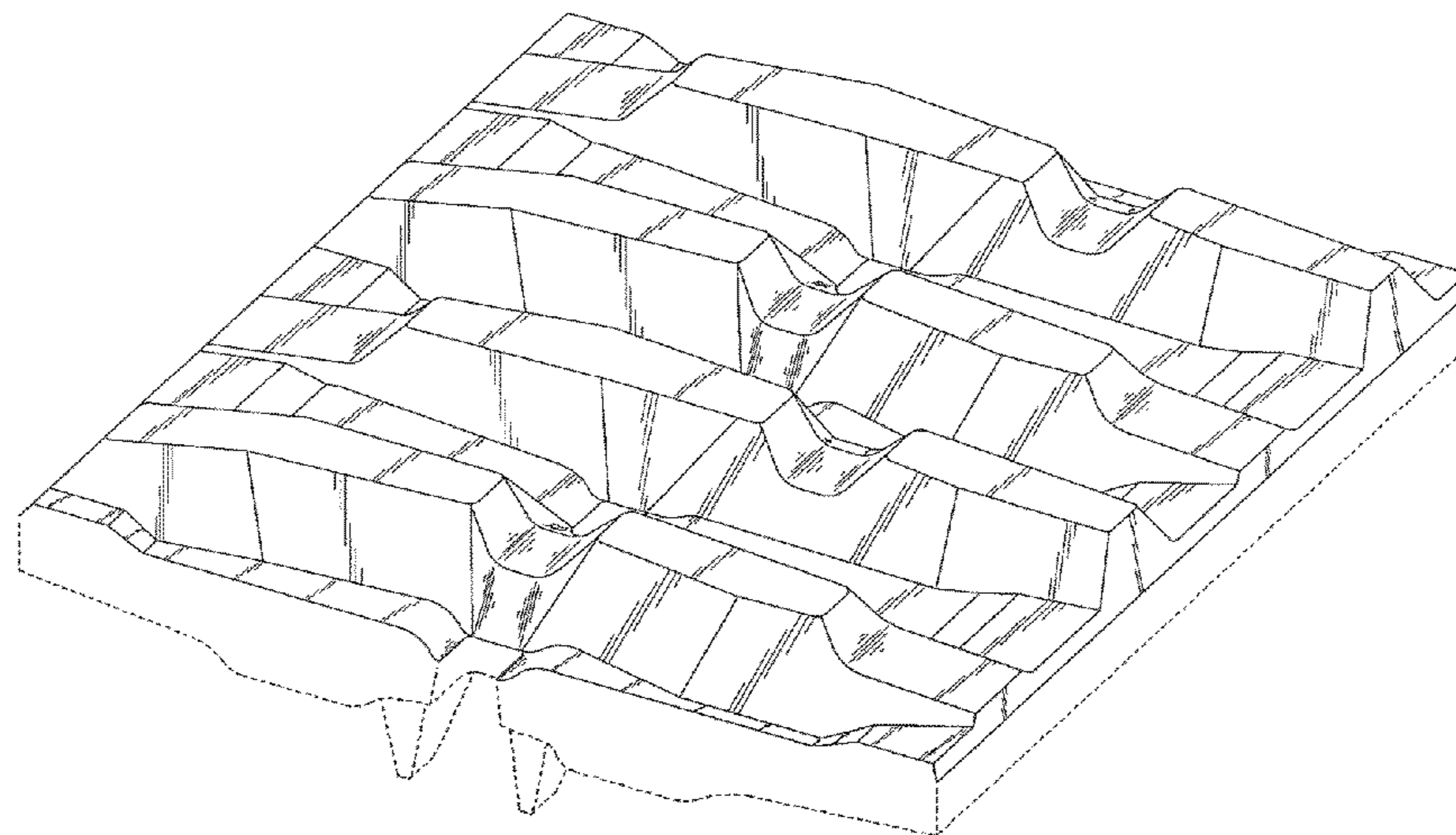


FIG. 1

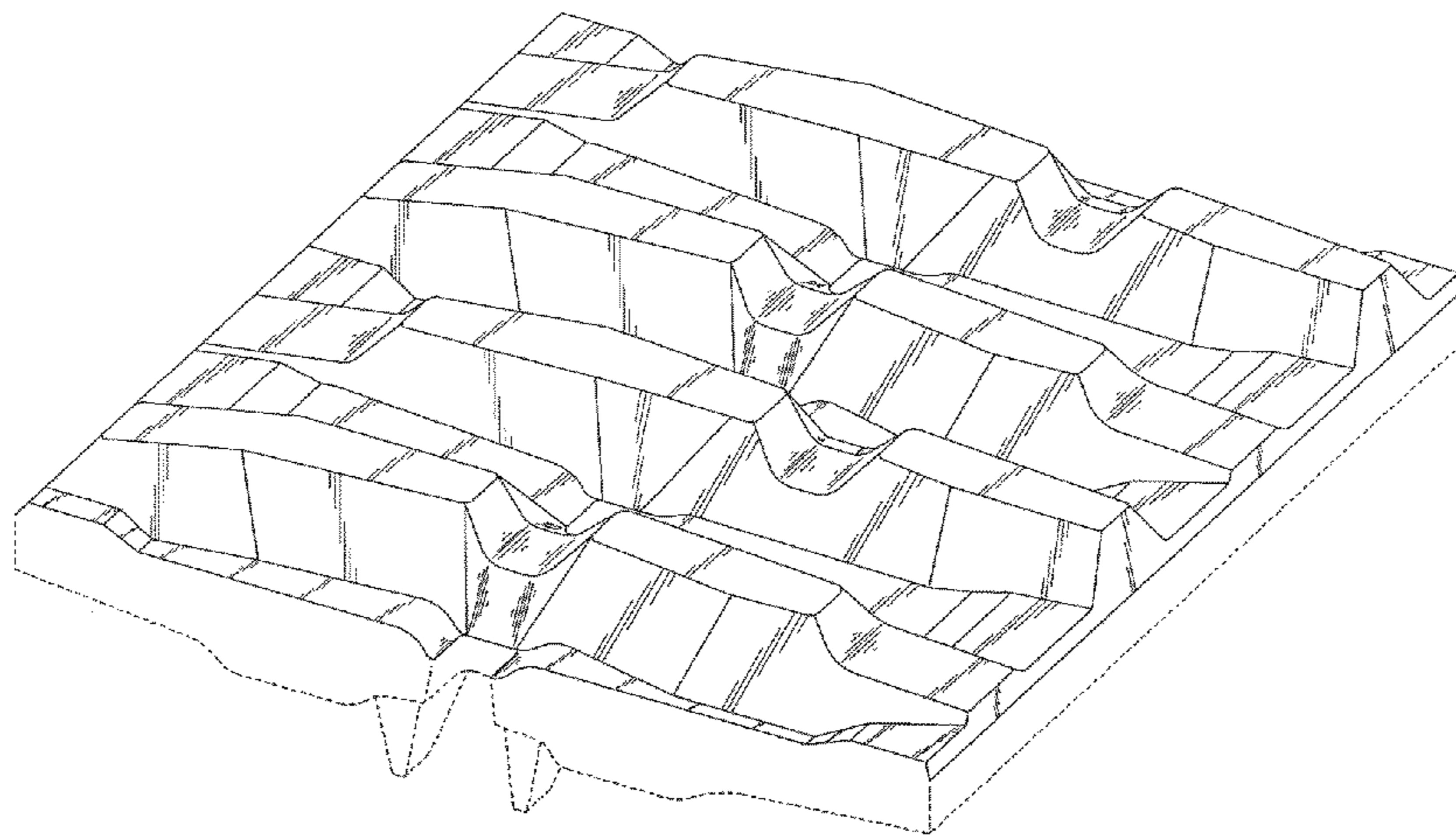


FIG. 2

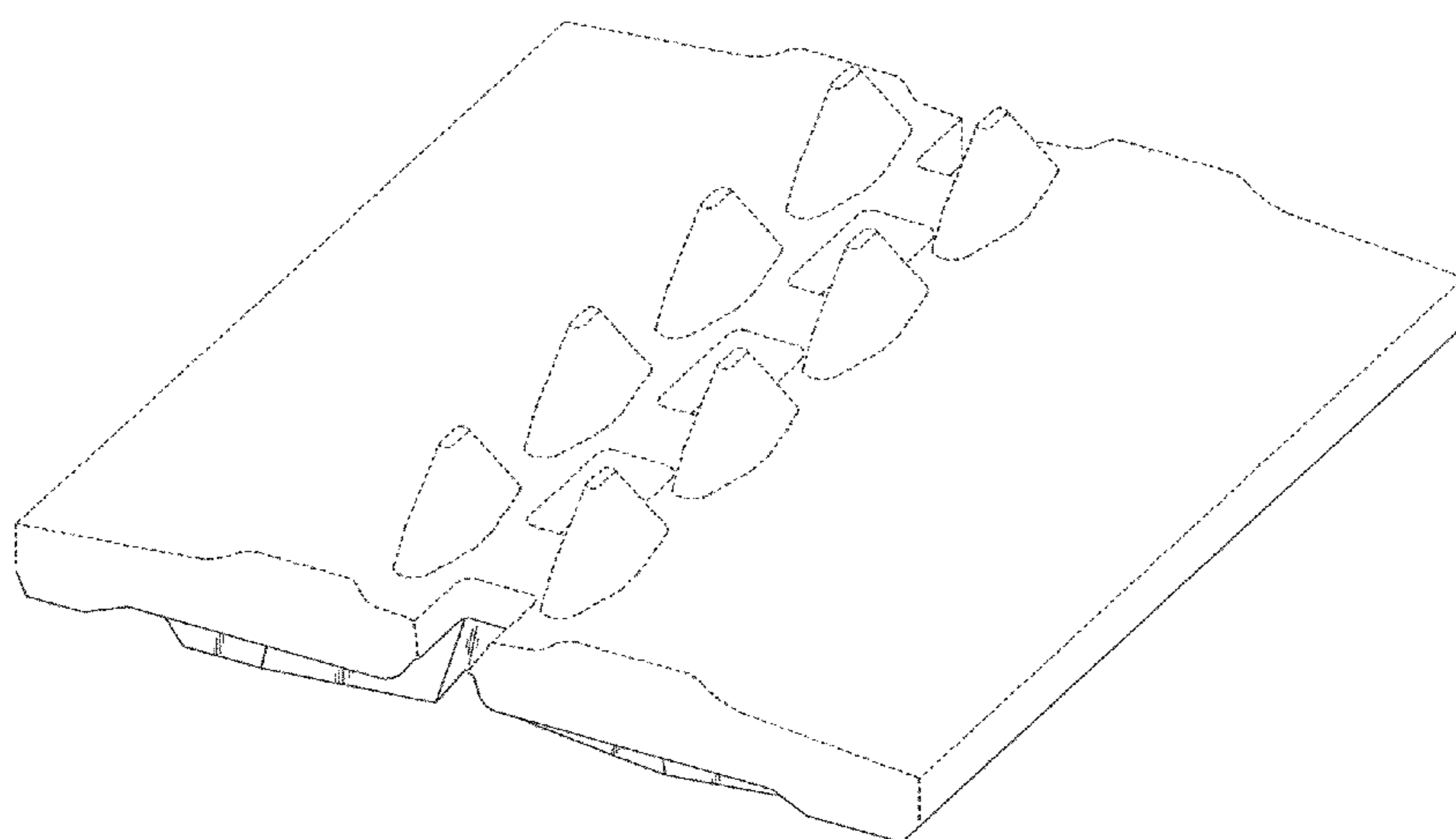


FIG. 3

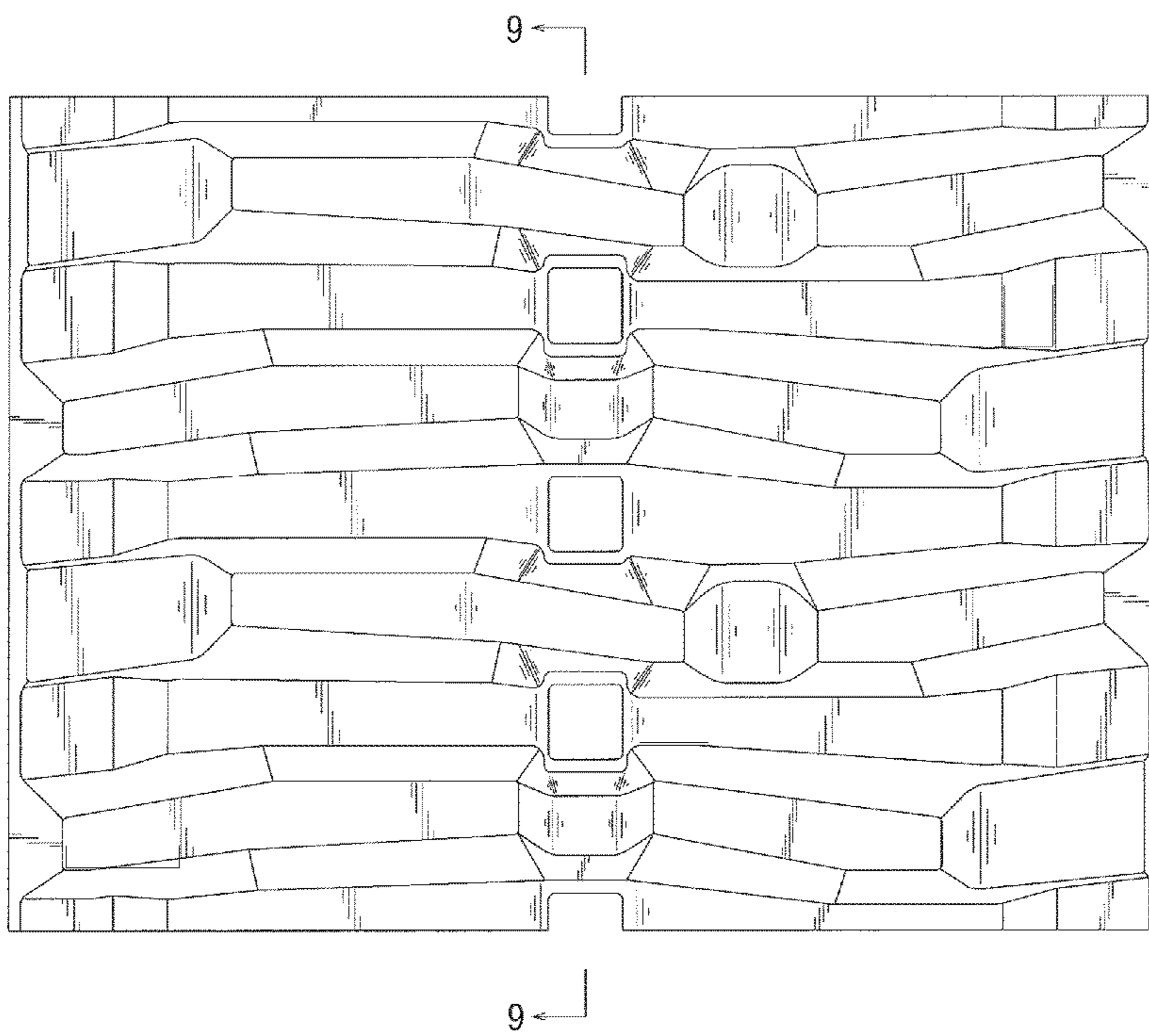


FIG. 4

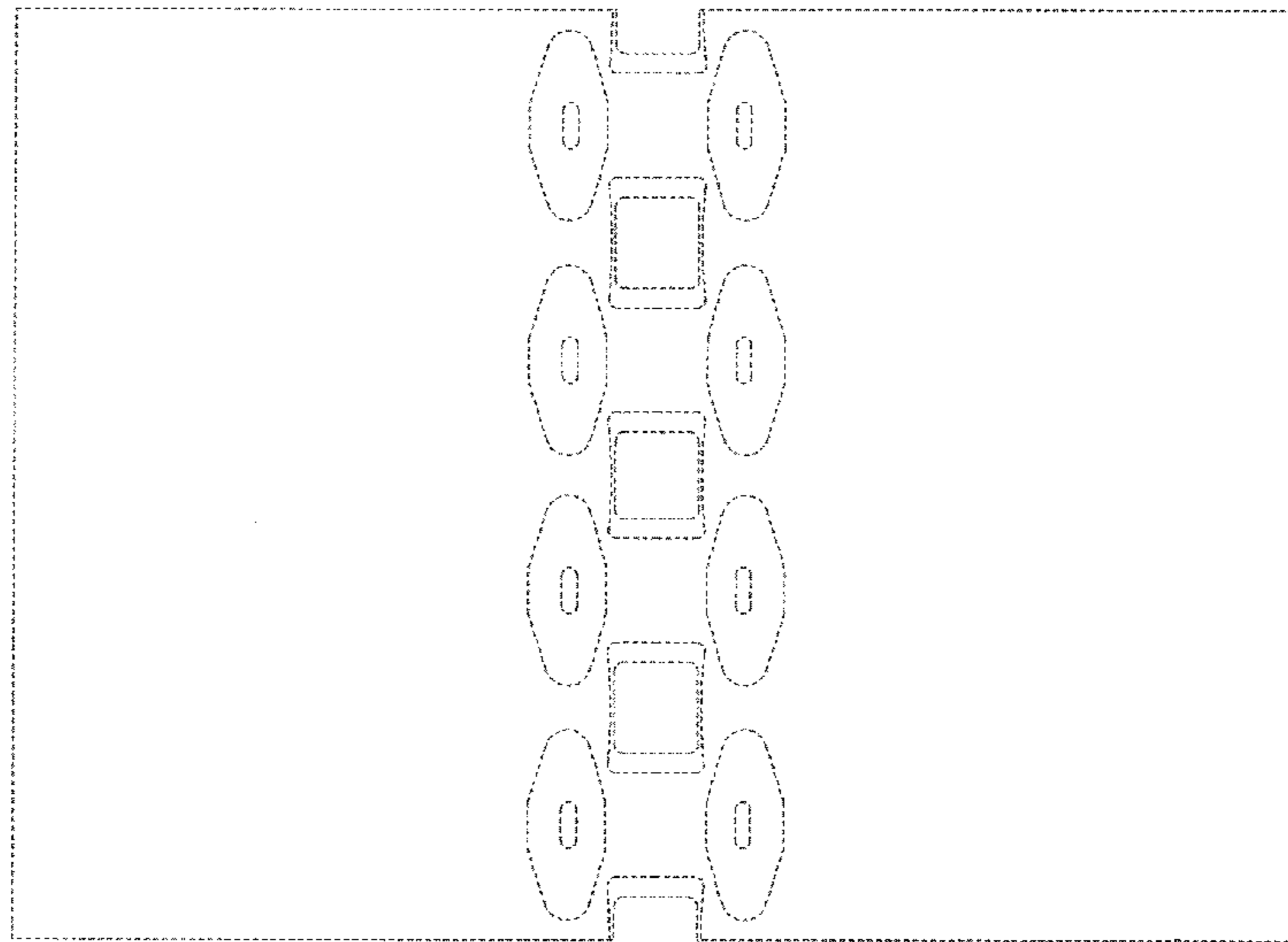


FIG. 5

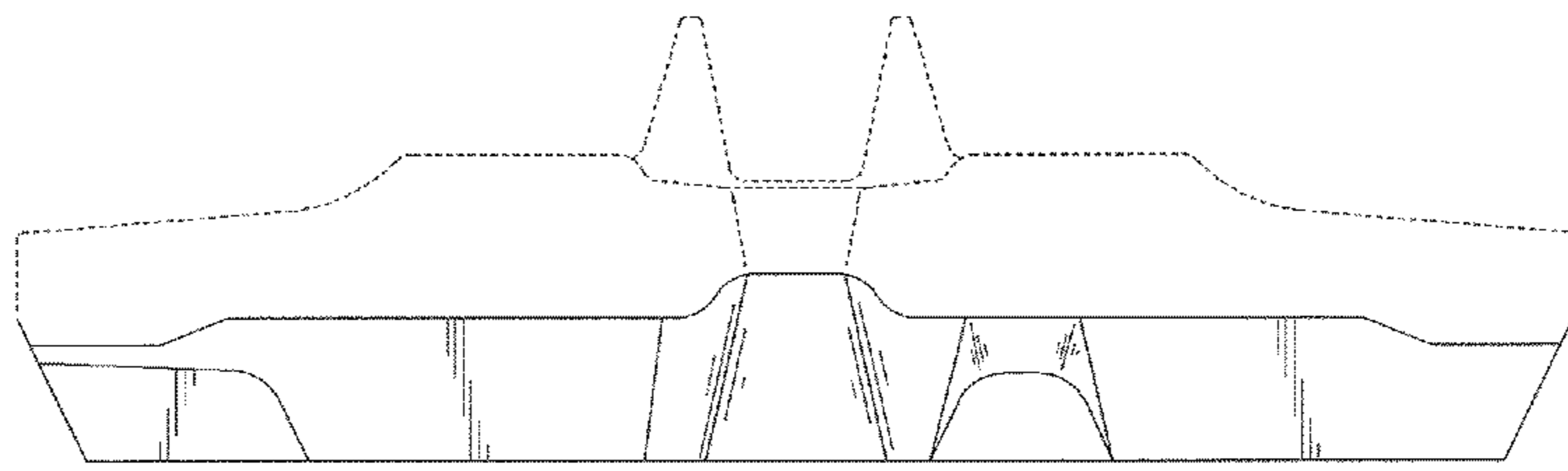


FIG. 6

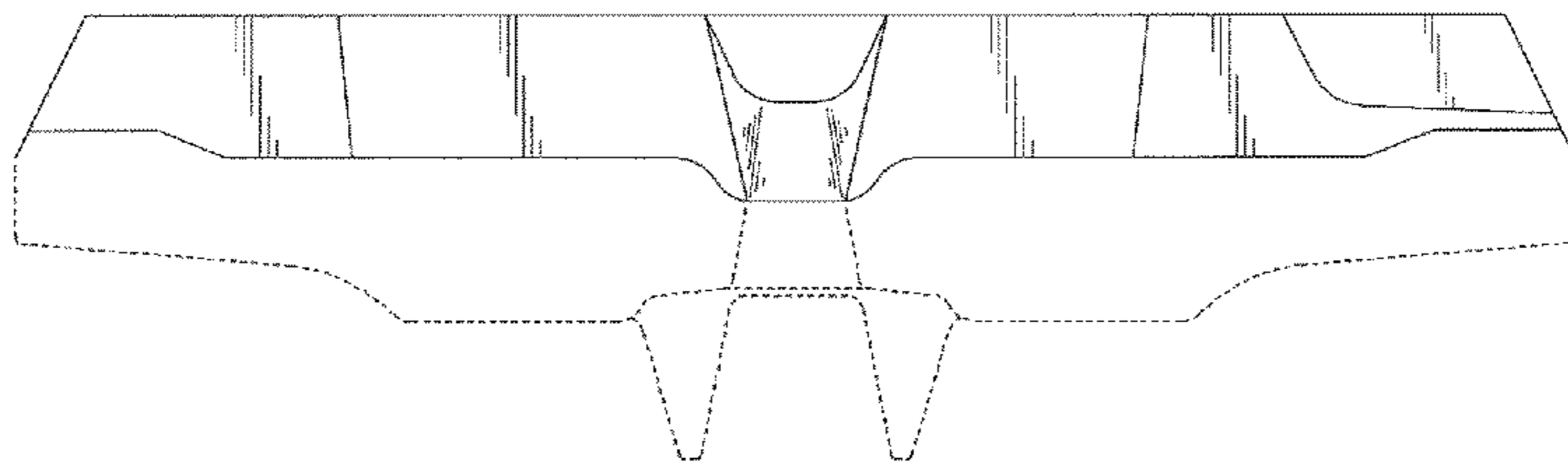


FIG. 7

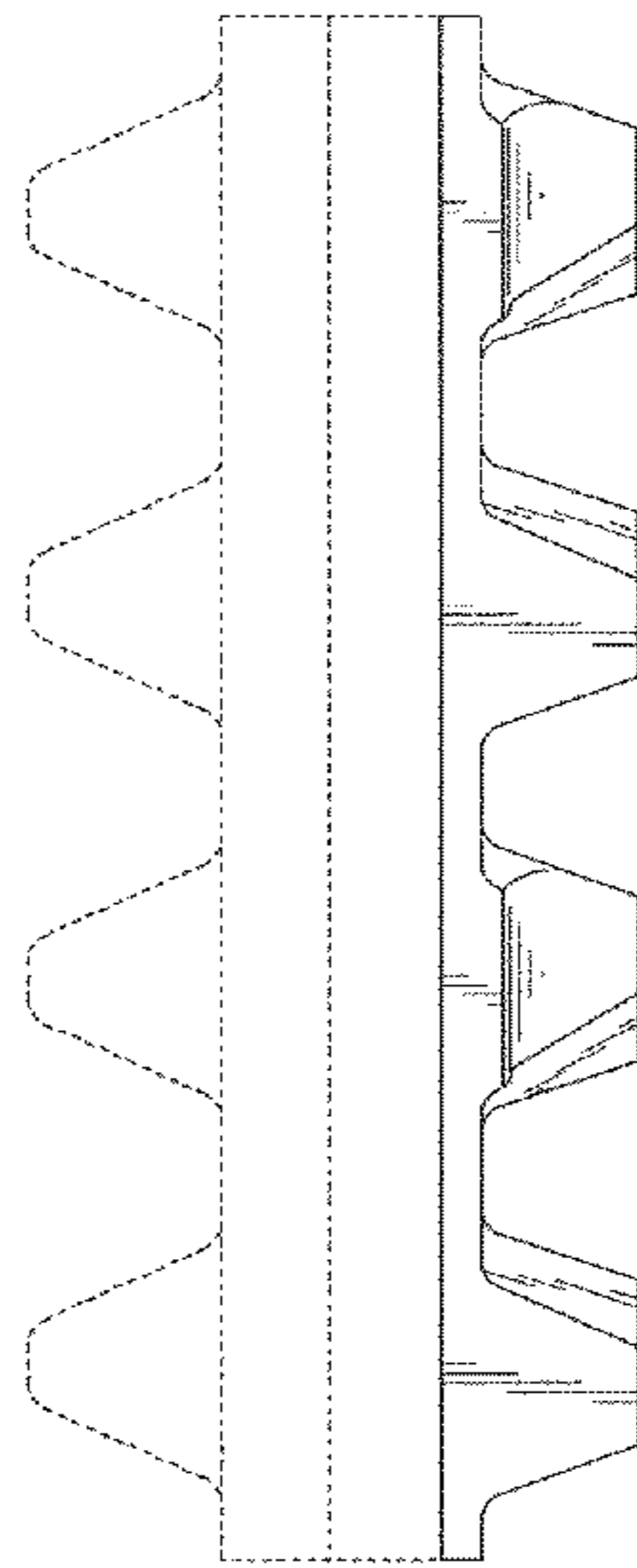


FIG. 8

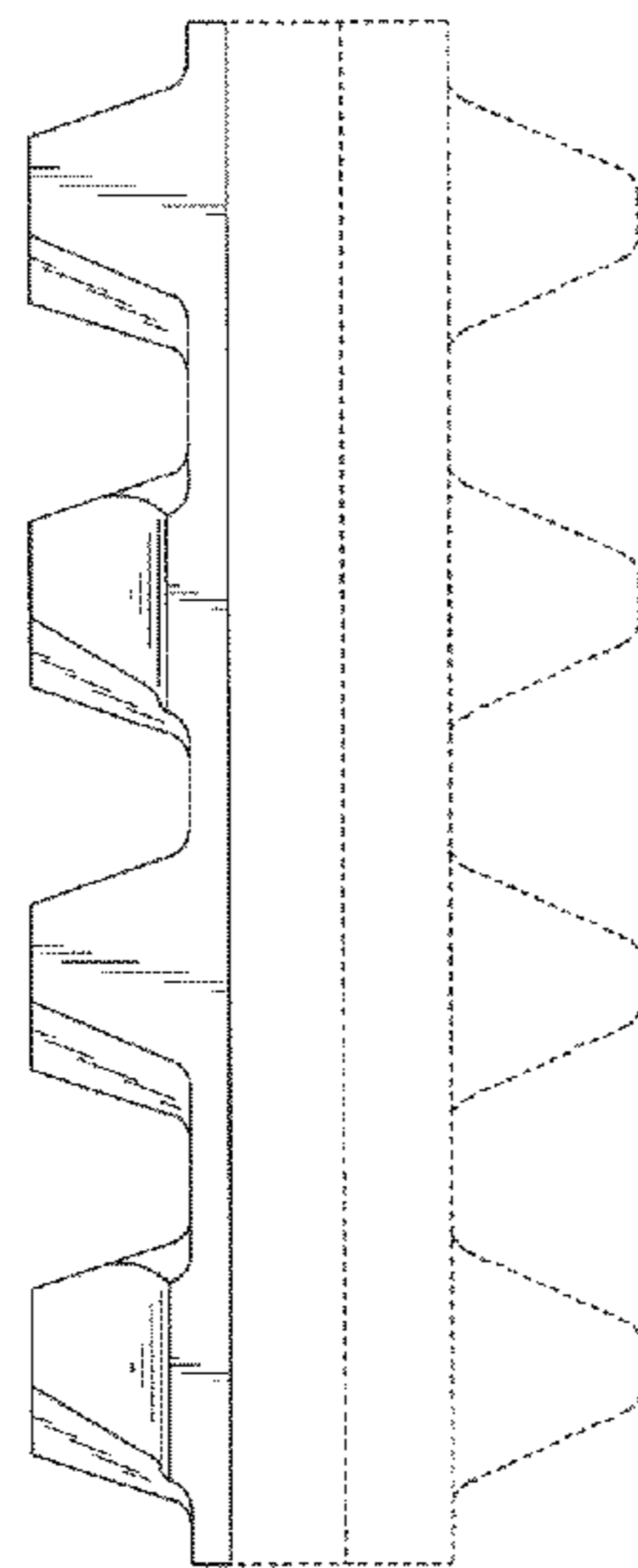


FIG. 9

