



US00D669501S

(12) **United States Design Patent**
Meza et al.

(10) **Patent No.:** **US D669,501 S**
(45) **Date of Patent:** **** Oct. 23, 2012**

(54) **DIAPHRAGM PUMP**

(56) **References Cited**

(75) Inventors: **Humberto V. Meza**, Tustin, CA (US);
Nancy I. Chacon Terrazas, Jose
Vasconcelos (MX); **Derrick T. Tran**,
Yorba Linda, CA (US); **Rick Hayashi**,
Garden Grove, CA (US)

(73) Assignee: **Flow Control LLC**, Gloucester, MA
(US)

(**) Term: **14 Years**

(21) Appl. No.: **29/414,122**

(22) Filed: **Feb. 24, 2012**

U.S. PATENT DOCUMENTS

D484,147	S	*	12/2003	Tai	D15/9
D501,486	S	*	2/2005	Leone et al.	D15/7
D514,595	S	*	2/2006	Chen	D15/9
D556,780	S	*	12/2007	Tazioli	D15/7
D627,370	S	*	11/2010	Moser et al.	D15/9
D647,110	S	*	10/2011	Pages	D15/7
D647,111	S	*	10/2011	Pages	D15/7
D650,813	S	*	12/2011	Varini	D15/7
D657,800	S	*	4/2012	Villagomez et al.	D15/7

* cited by examiner

Primary Examiner — Ralf Seifert

(57) **CLAIM**

We claim the ornamental design of a diaphragm pump, as shown and described herein.

DESCRIPTION

FIG. 1 is a top perspective view of a diaphragm pump showing our new design;
FIG. 2 is a bottom perspective view;
FIG. 3 is a side view;
FIG. 4 is a side view of the diaphragm pump shown in FIG. 1 from the other side;
FIG. 5 is a back view;
FIG. 6 is a front view;
FIG. 7 is a top view; and,
FIG. 8 is a bottom view.
The broken line showing in FIGS. 1 and 4 is included for the purpose of illustrating environmental matter and forms no part of the claimed design.

Related U.S. Application Data

(63) Continuation of application No. 29/396,596, filed on Jul. 1, 2011.

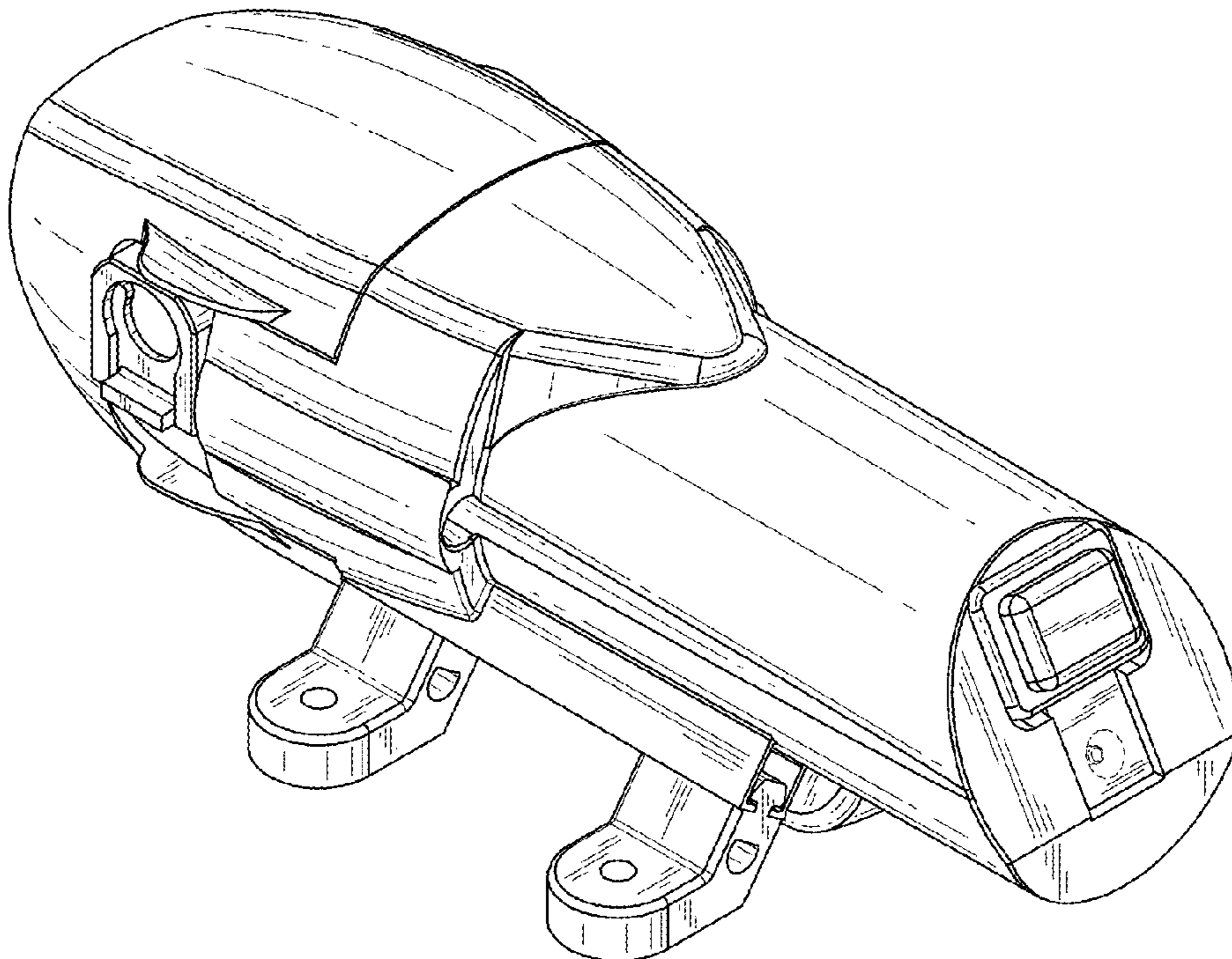
(51) **LOC (9) Cl.** **15-02**

(52) **U.S. Cl.** **D15/7**

(58) **Field of Classification Search** D15/7-9;
D23/231, 232, 225; 417/60, 235, 265, 321,
417/355, 358, 363, 359, 410.1, 415-416,
417/405, 900; 60/408, 412; 184/26-37;
415/140-147; 123/495, 509

See application file for complete search history.

1 Claim, 4 Drawing Sheets



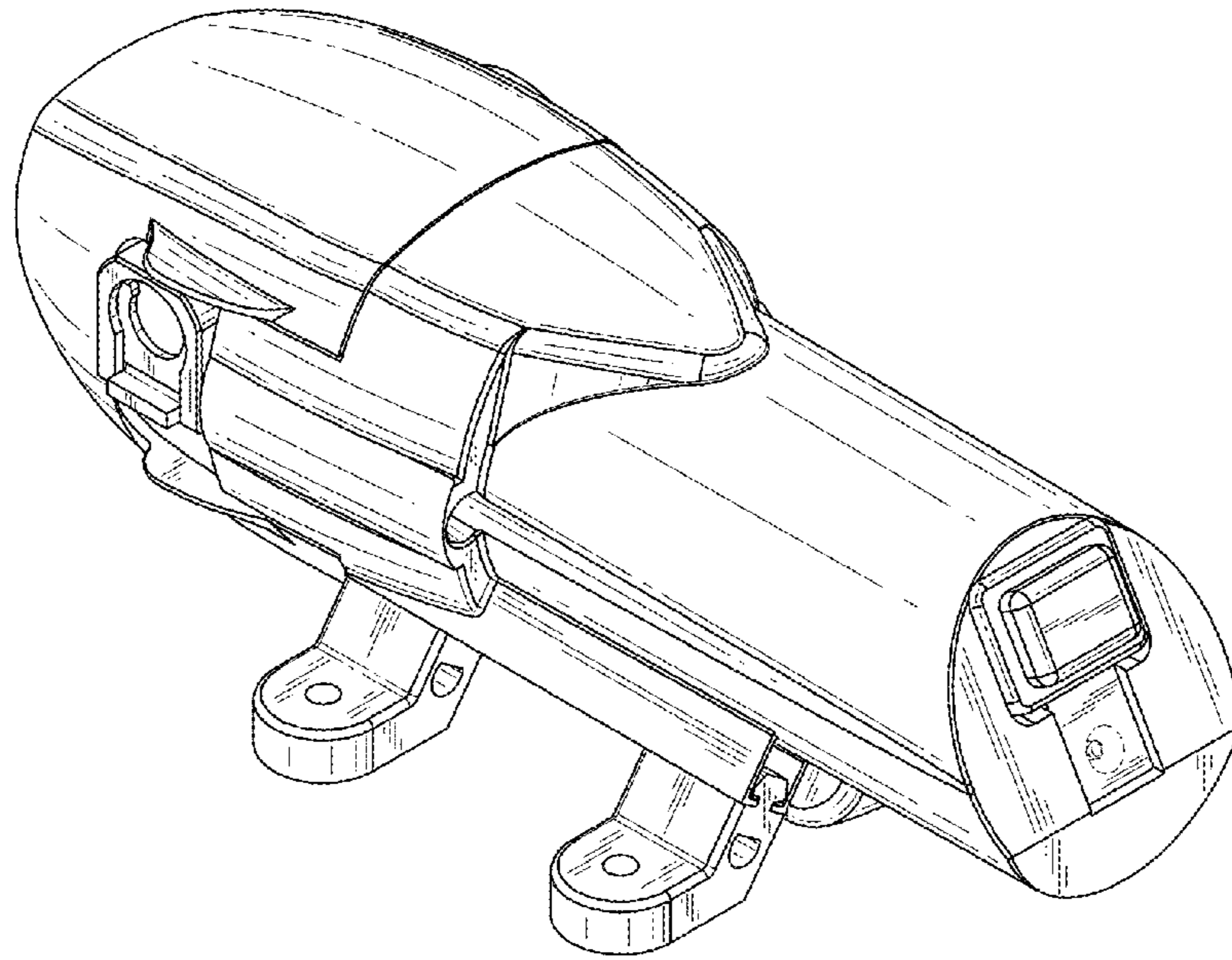


FIG. 1

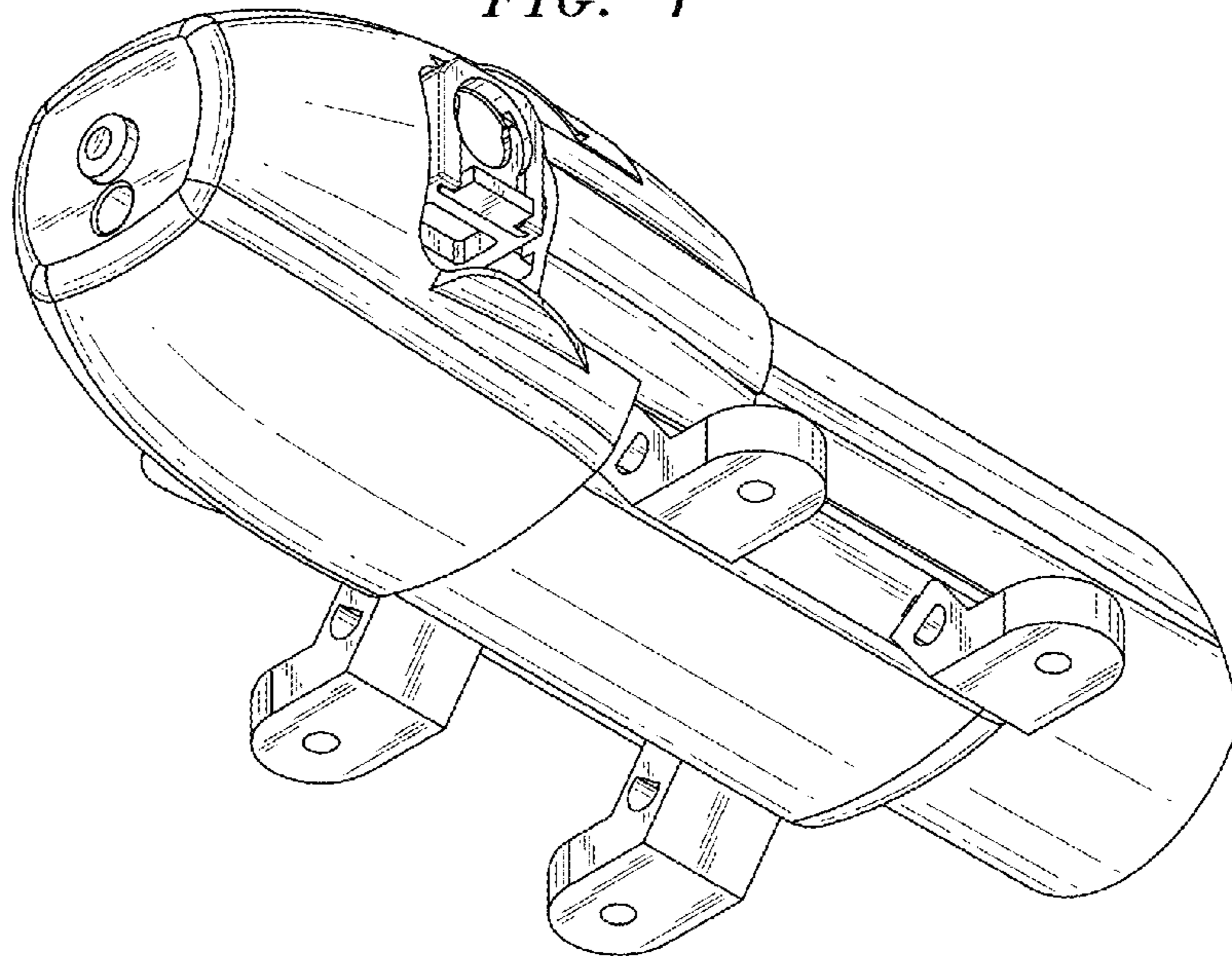


FIG. 2

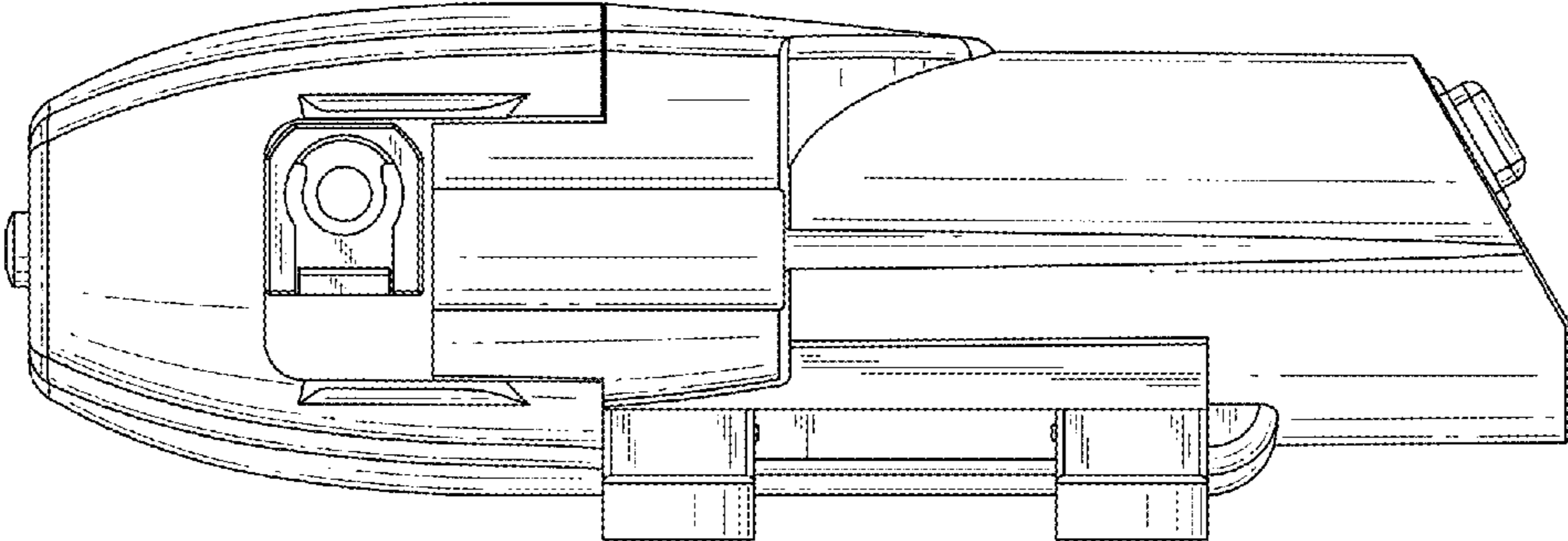


FIG. 3

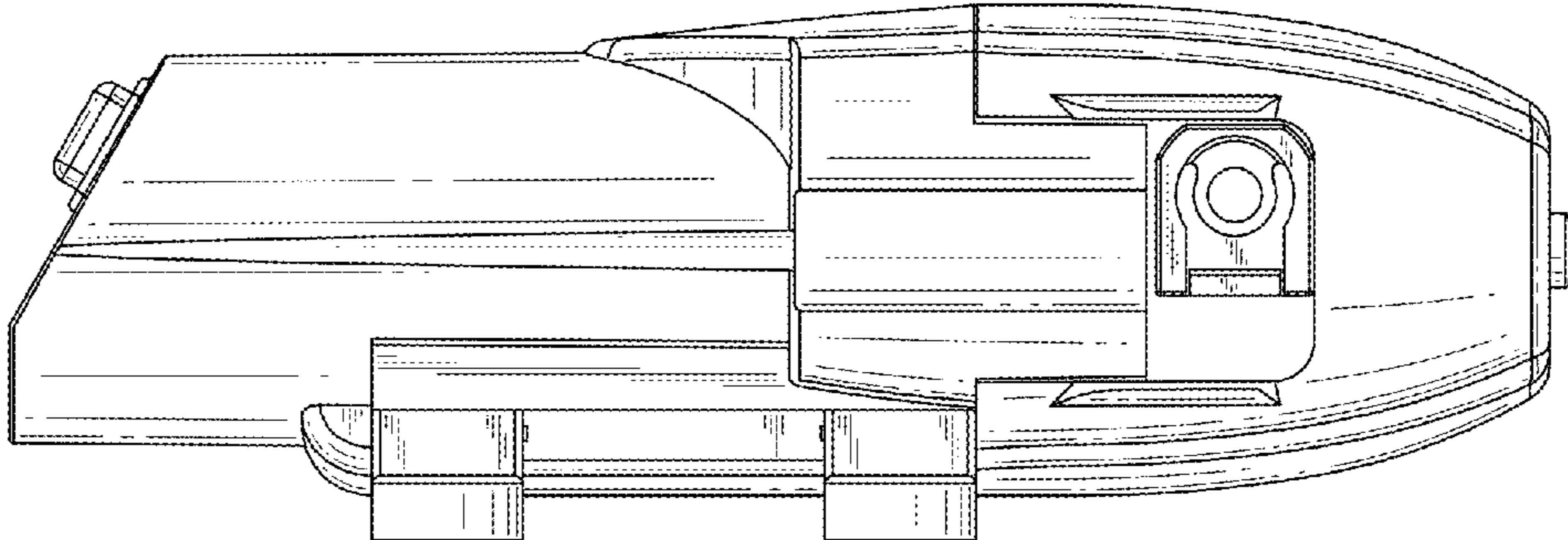


FIG. 4

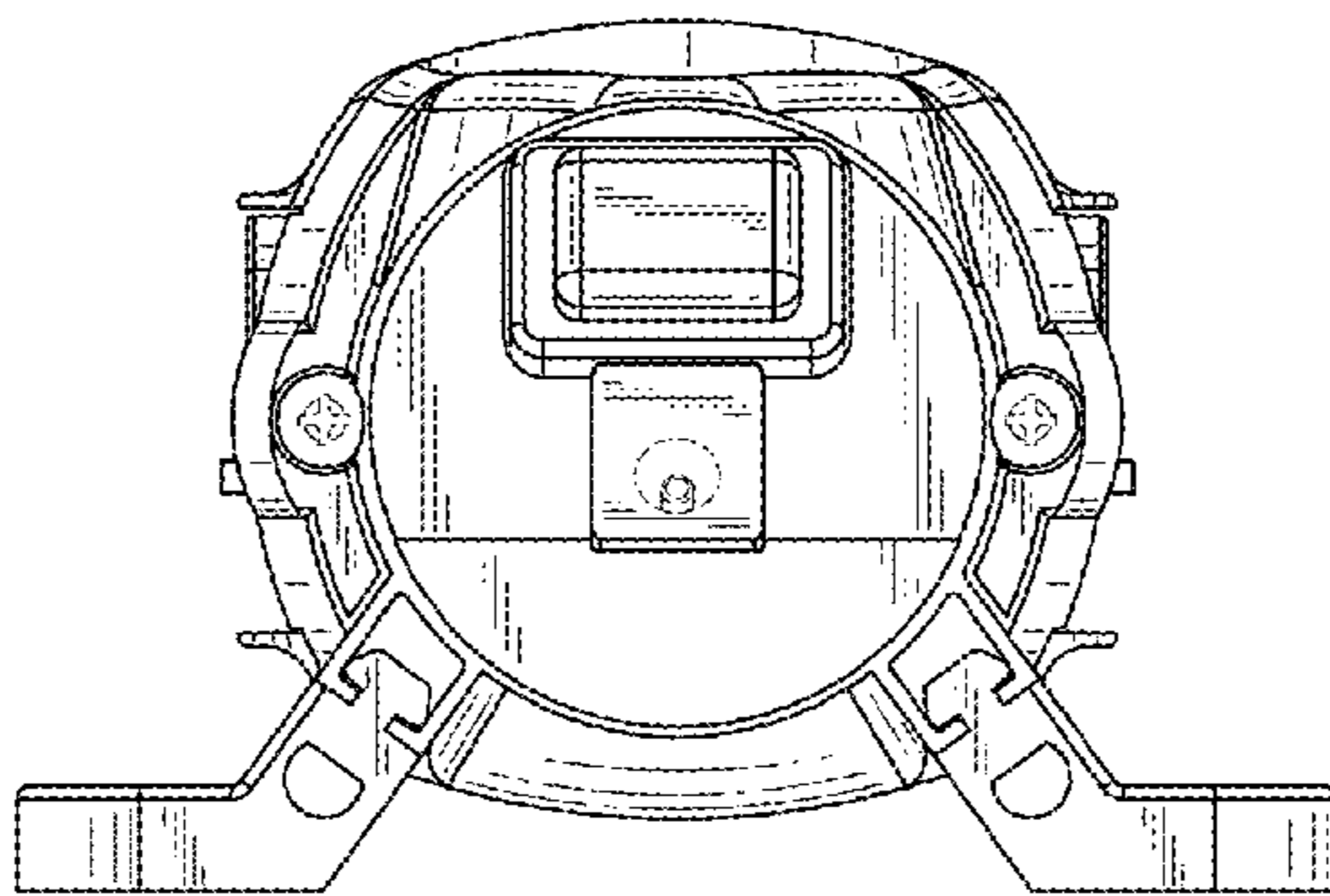


FIG. 5

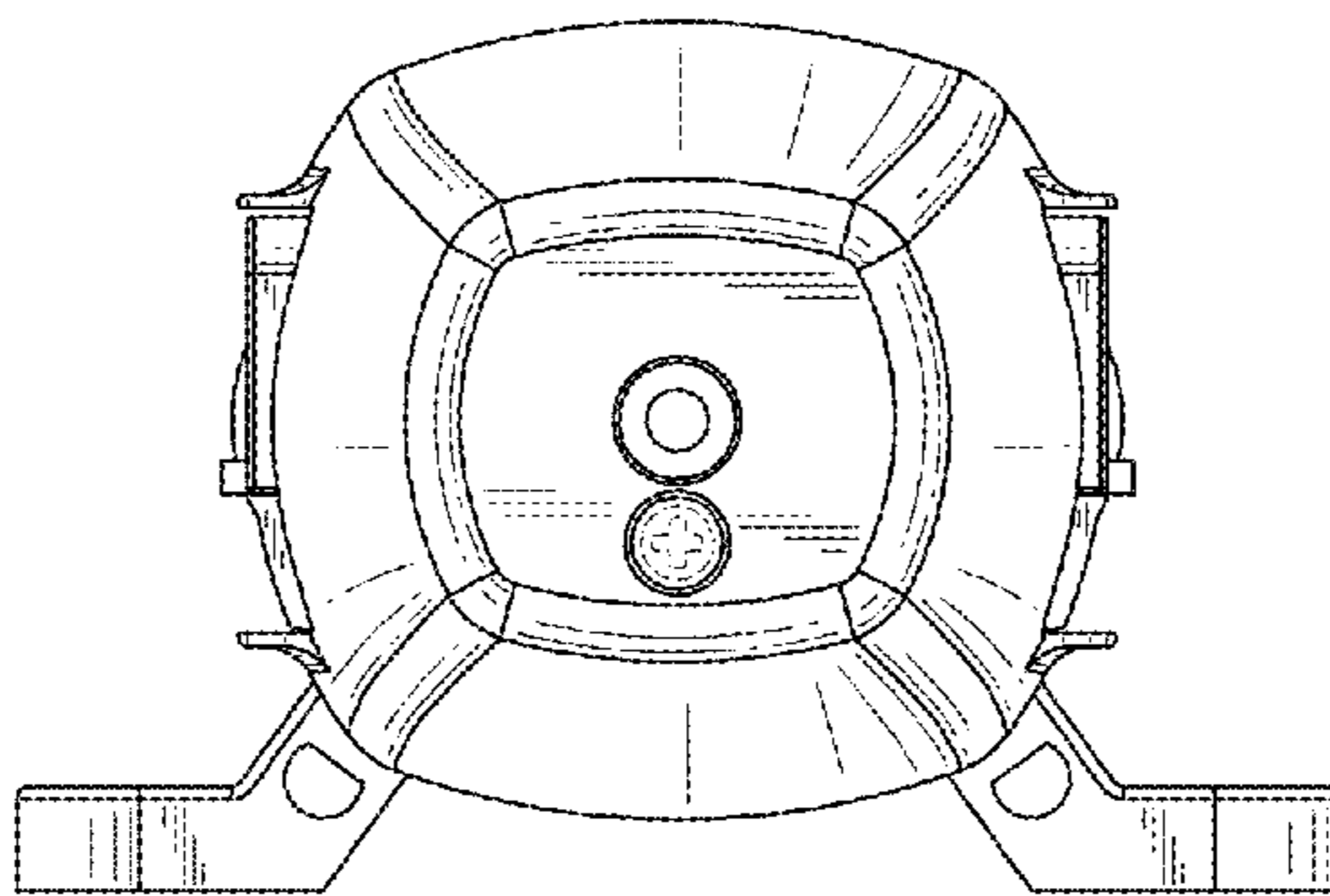


FIG. 6

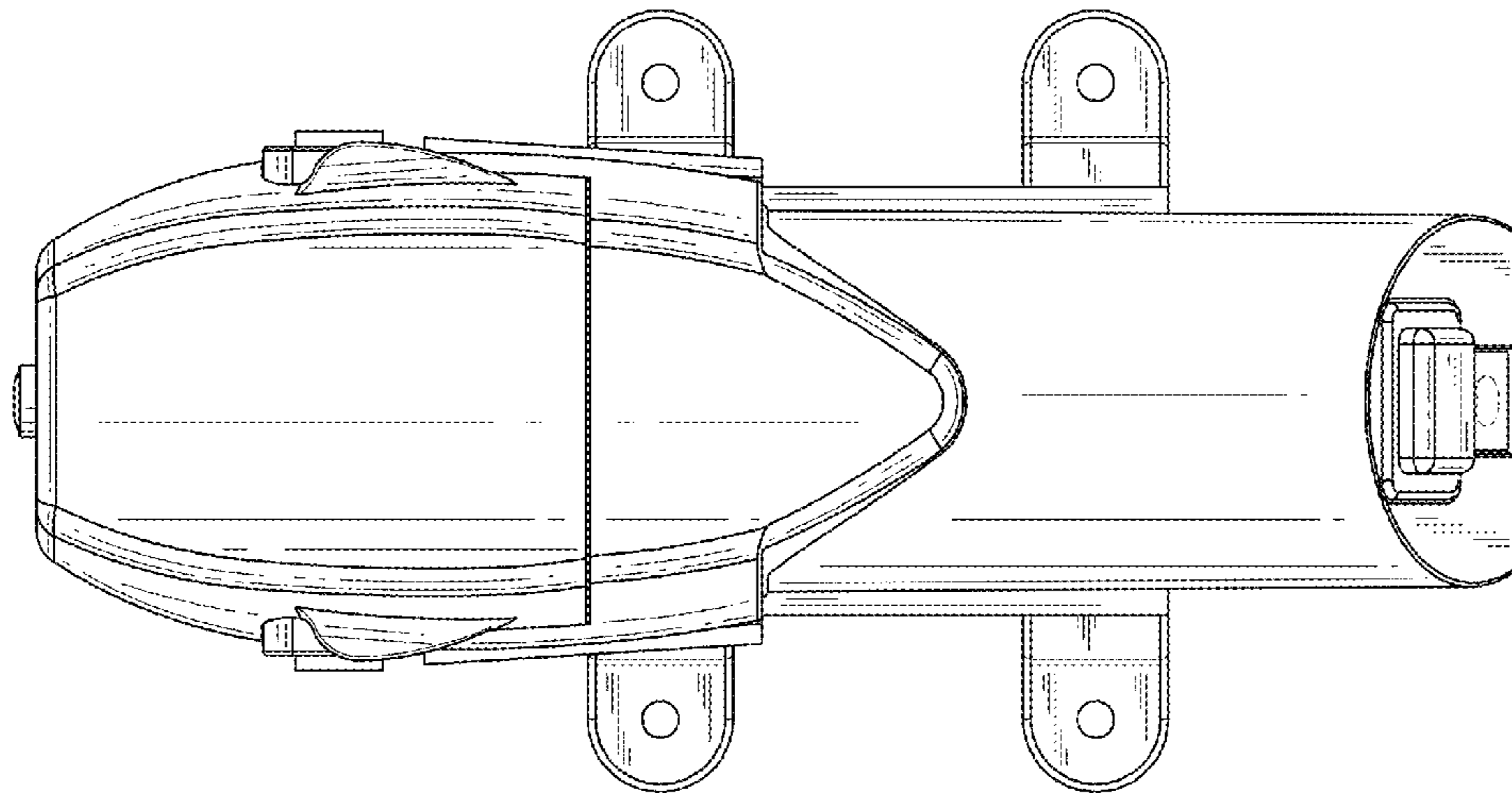


FIG. 7

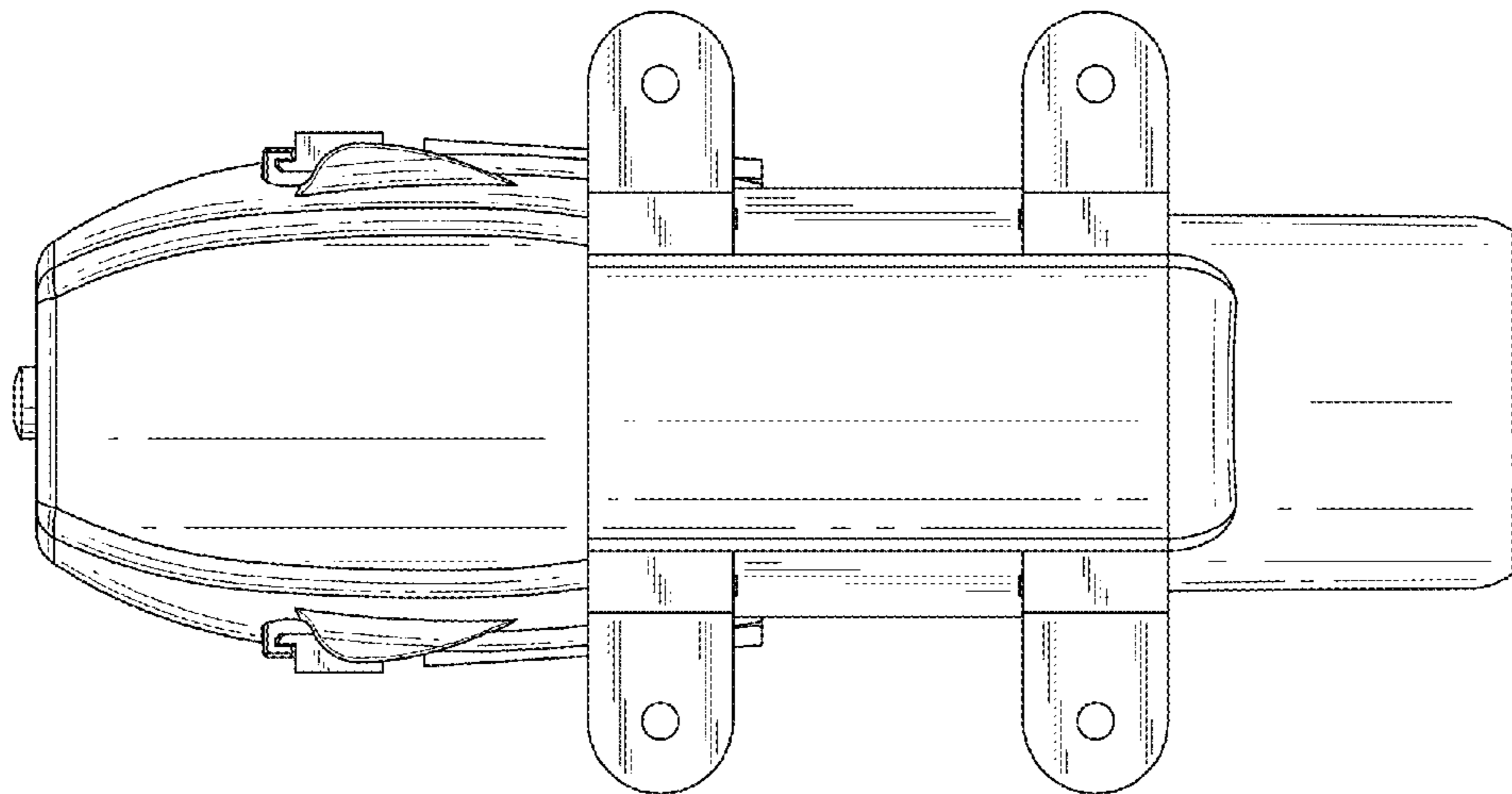


FIG. 8