

US00D669482S

(12) **United States Design Patent**
Hu et al.

(10) **Patent No.:** **US D669,482 S**
(45) **Date of Patent:** **** Oct. 23, 2012**

(54) **SUPPORT MECHANISM**

(75) Inventors: **Wu-Zhu Hu**, Shenzhen (CN);
Ben-Xiang Zhao, Shenzhen (CN);
Wu-Qi Li, Shenzhen (CN); **Tang Li**,
Shenzhen (CN)

(73) Assignee: **Hon Hai Precision Industry Co., Ltd.**,
Tu-Cheng, New Taipei (TW)

(**) Term: **14 Years**

(21) Appl. No.: **29/398,948**

(22) Filed: **Aug. 8, 2011**

(51) **LOC (9) Cl.** **14-04**

(52) **U.S. Cl.** **D14/447**

(58) **Field of Classification Search** D14/447,
D14/432, 434, 433, 439, 440, 448, 451, 452,
D14/457, 400, 401, 239, 217, 238.1, 250,
D14/251, 252, 253; D21/333, 324, 325,
D21/328, 329, 330, 331, 332; D13/107,
D13/108; D6/310, 311, 312, 406.3, 406.4,
D6/406.5, 419, 566; D8/363, 373, 376, 380,
D8/381, 306, 323, 325, 349, 354; 248/917-924,
248/441.1, 447, 451, 459, 460, 462, 463,
248/121, 139, 151, 434, 170, 176.1, 177.1,
248/281.11, 309.3, 346.5; 361/379.02, 679.05,
361/679.06, 679.07, 679.09, 679.1, 679.21,
361/679.22, 679.23, 679.25, 679.26, 679.27,
361/679.3, 679.55, 679.56, 679.29, 679.28;
379/455, 454; 312/223.3

See application file for complete search history.

(56) **References Cited**

U.S. PATENT DOCUMENTS

D296,119 S * 6/1988 Hunter et al. D21/706
D333,991 S * 3/1993 Lee D10/62
D398,458 S * 9/1998 Martell D6/420

D410,910 S * 6/1999 Martell D14/457
6,341,061 B1 * 1/2002 Eisbach et al. 361/679.46
D483,767 S * 12/2003 Green et al. D14/451
D562,572 S * 2/2008 Nothel D6/310
D575,293 S * 8/2008 Derry et al. D14/447
D590,833 S * 4/2009 O'Connor D14/447
D596,187 S * 7/2009 Martell D14/447
D603,840 S * 11/2009 Lee et al. D14/217
7,639,484 B2 * 12/2009 Chen et al. 361/679.26
D611,407 S * 3/2010 Webb D13/108
D621,683 S * 8/2010 Mullenix D8/323
D636,397 S * 4/2011 Green D14/447
D646,283 S * 10/2011 Derry et al. D14/447
2010/0158300 A1 * 6/2010 Wang 381/333
2012/0001045 A1 * 1/2012 Wang 248/281.11

* cited by examiner

Primary Examiner — Angela J Lee

(74) *Attorney, Agent, or Firm* — Altis Law Group, Inc.

(57) **CLAIM**

The ornamental design for a support mechanism, as shown and described.

DESCRIPTION

FIG. 1 is a perspective view of a support mechanism showing my design.

FIG. 2 is a front elevational view thereof.

FIG. 3 is a rear elevational view thereof.

FIG. 4 is a left-side elevational view thereof.

FIG. 5 is a right-side elevational view thereof.

FIG. 6 is a top plan view thereof.

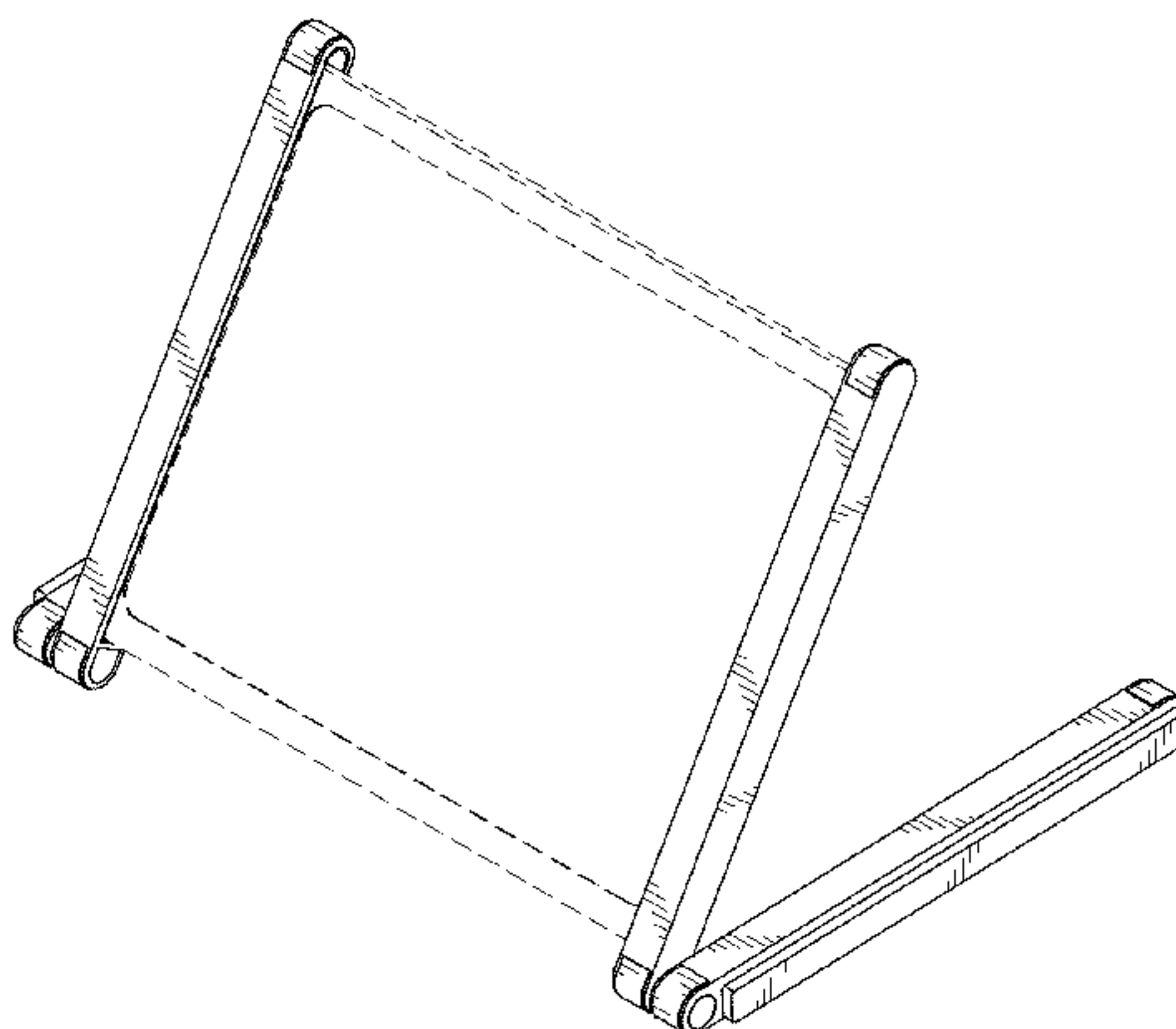
FIG. 7 is a bottom plan view thereof.

FIG. 8 is a closed and unused state view of the support mechanism; and,

FIG. 9 is a used state view of the support mechanism for reference.

The broken line showing of a display screen is included for the purpose of illustrating environment and forms no part of the claimed design.

1 Claim, 9 Drawing Sheets



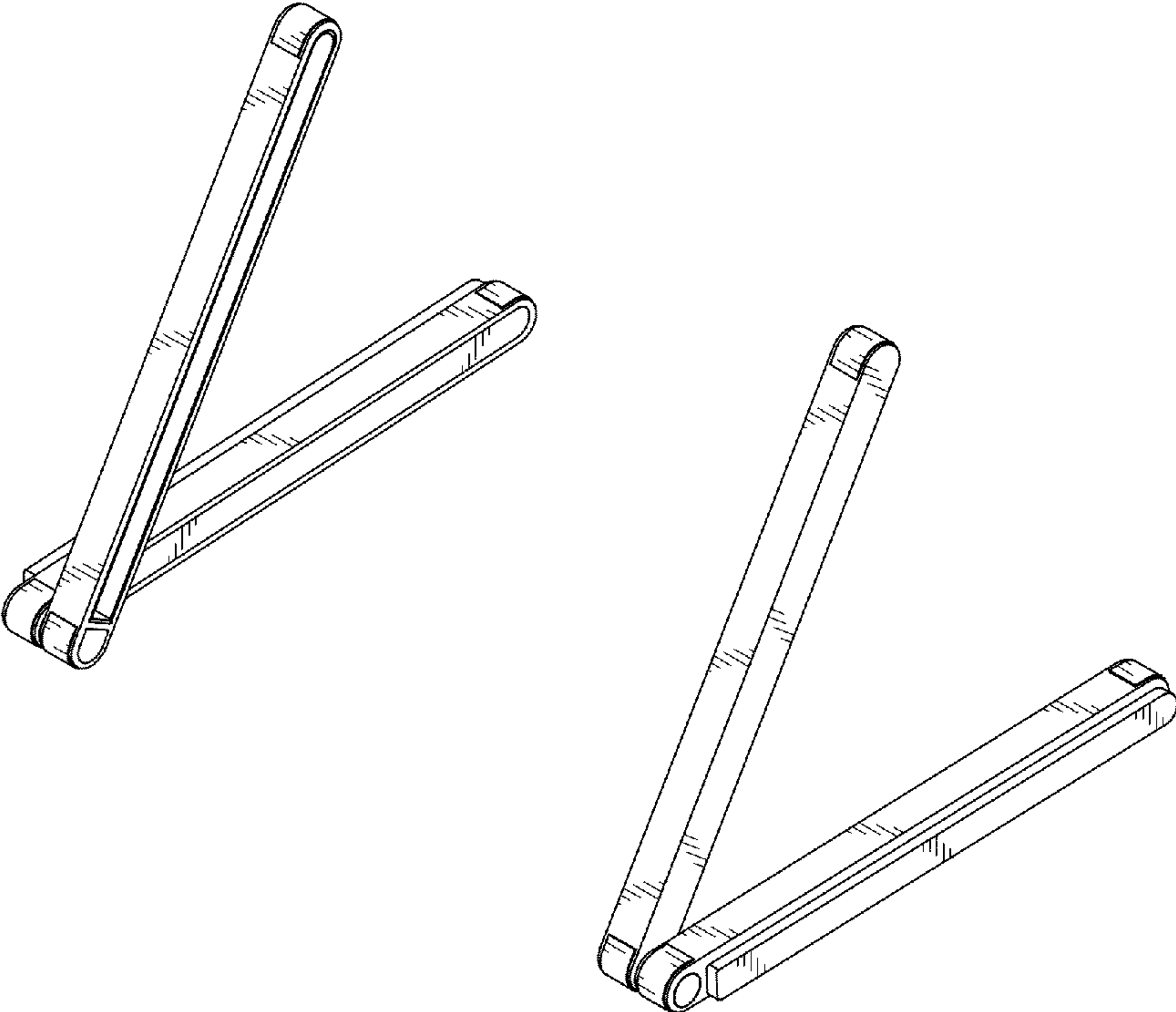


FIG. 1



FIG. 2



FIG. 3

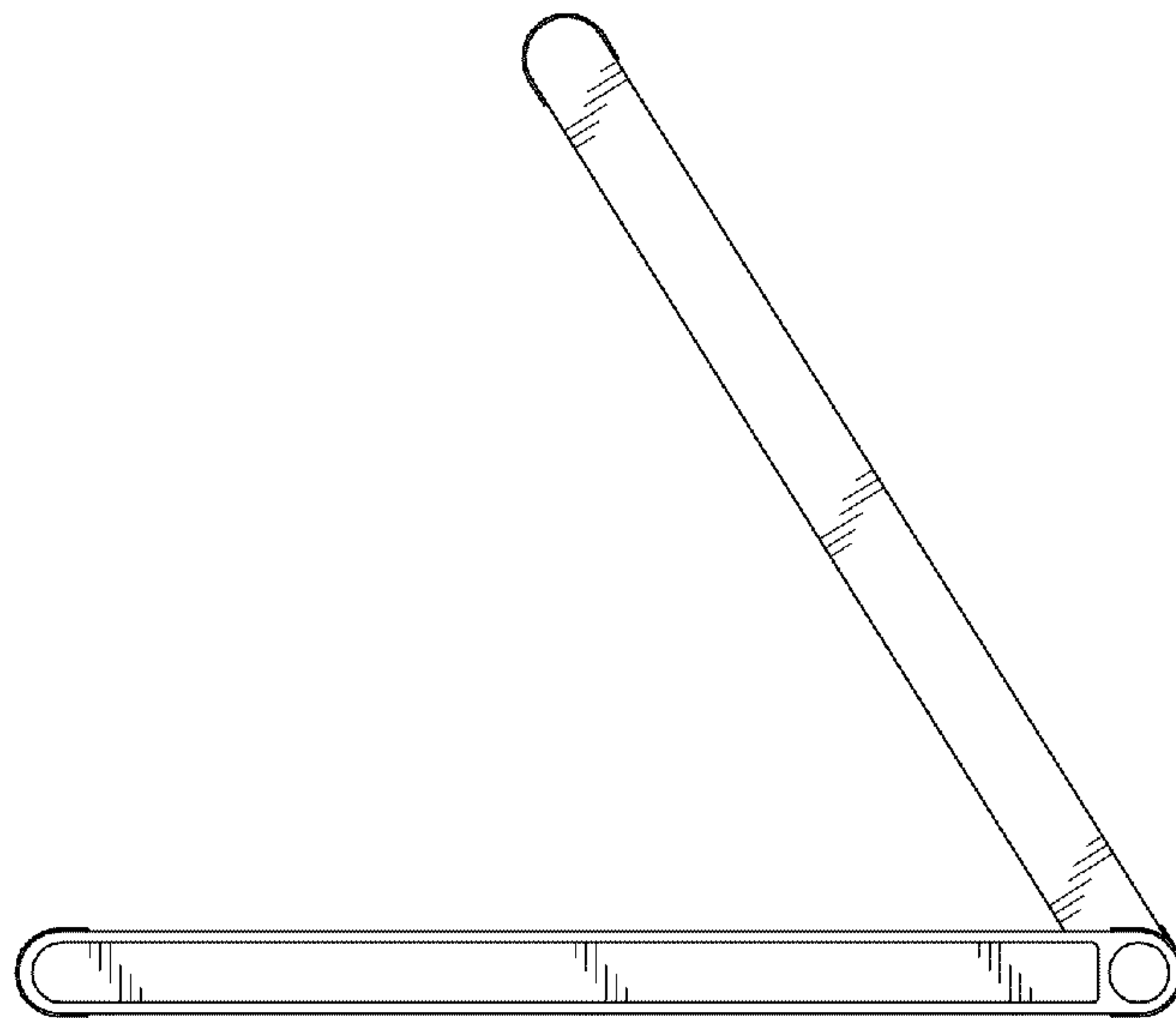


FIG. 4

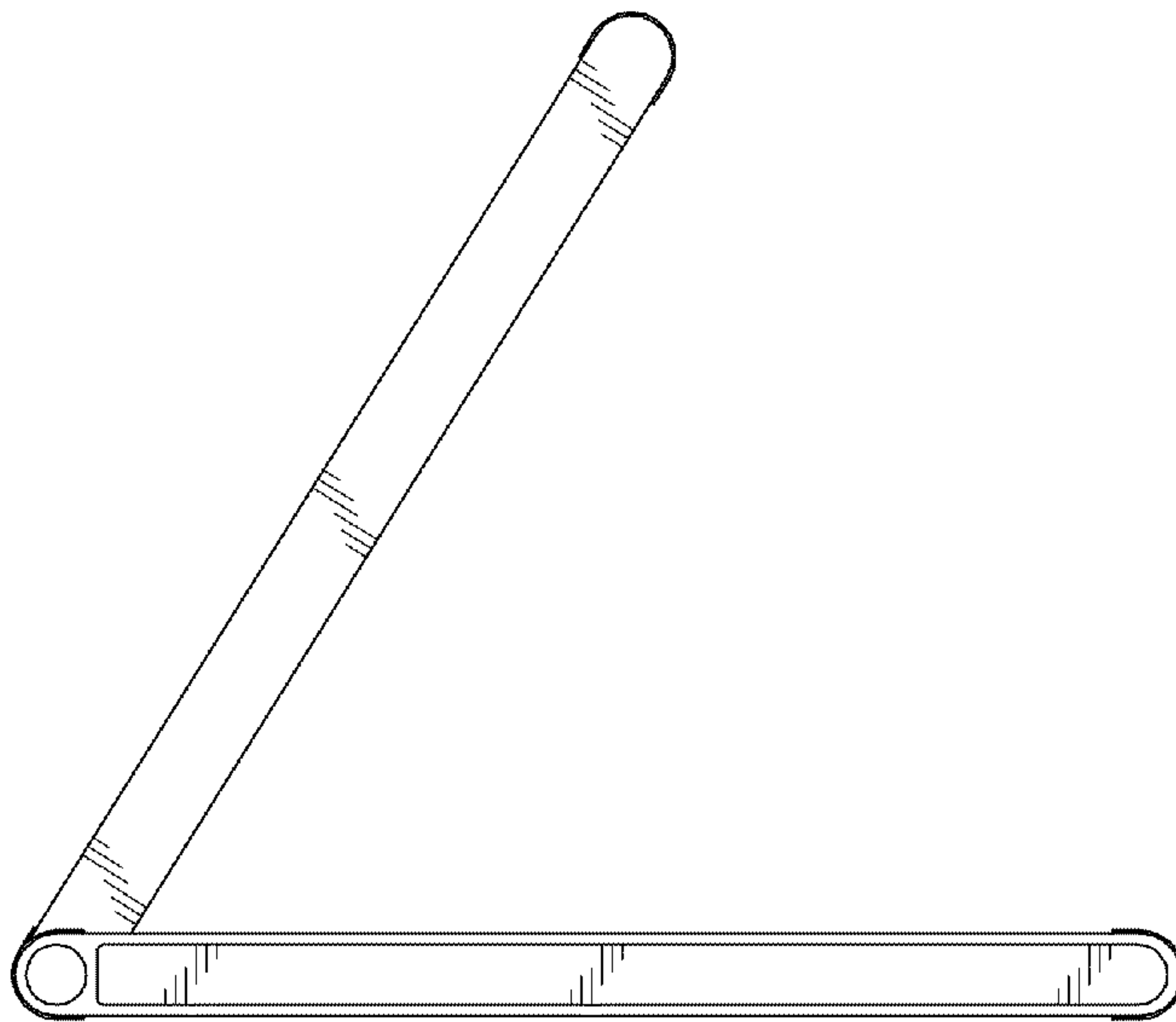


FIG. 5



FIG. 6

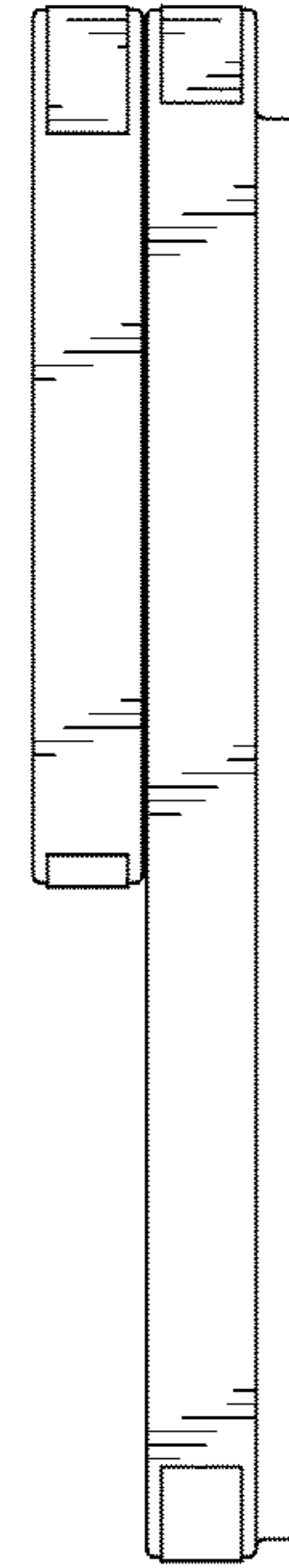
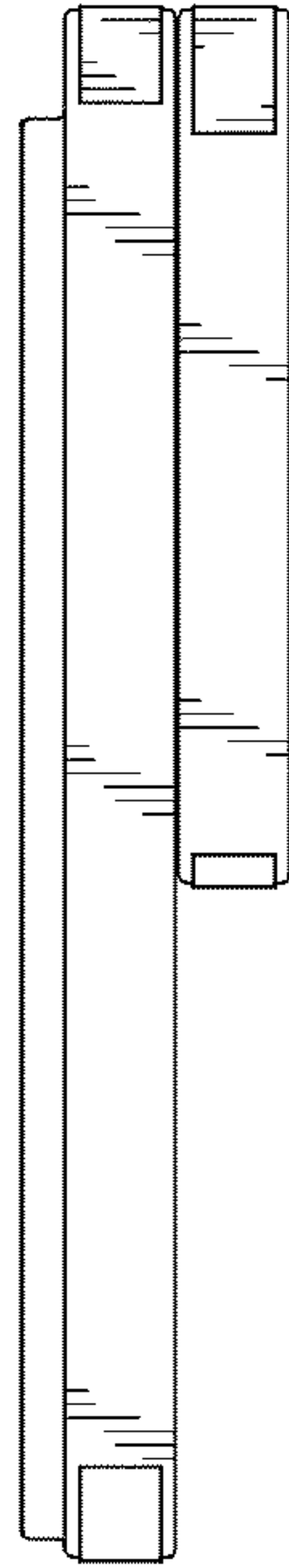


FIG. 7

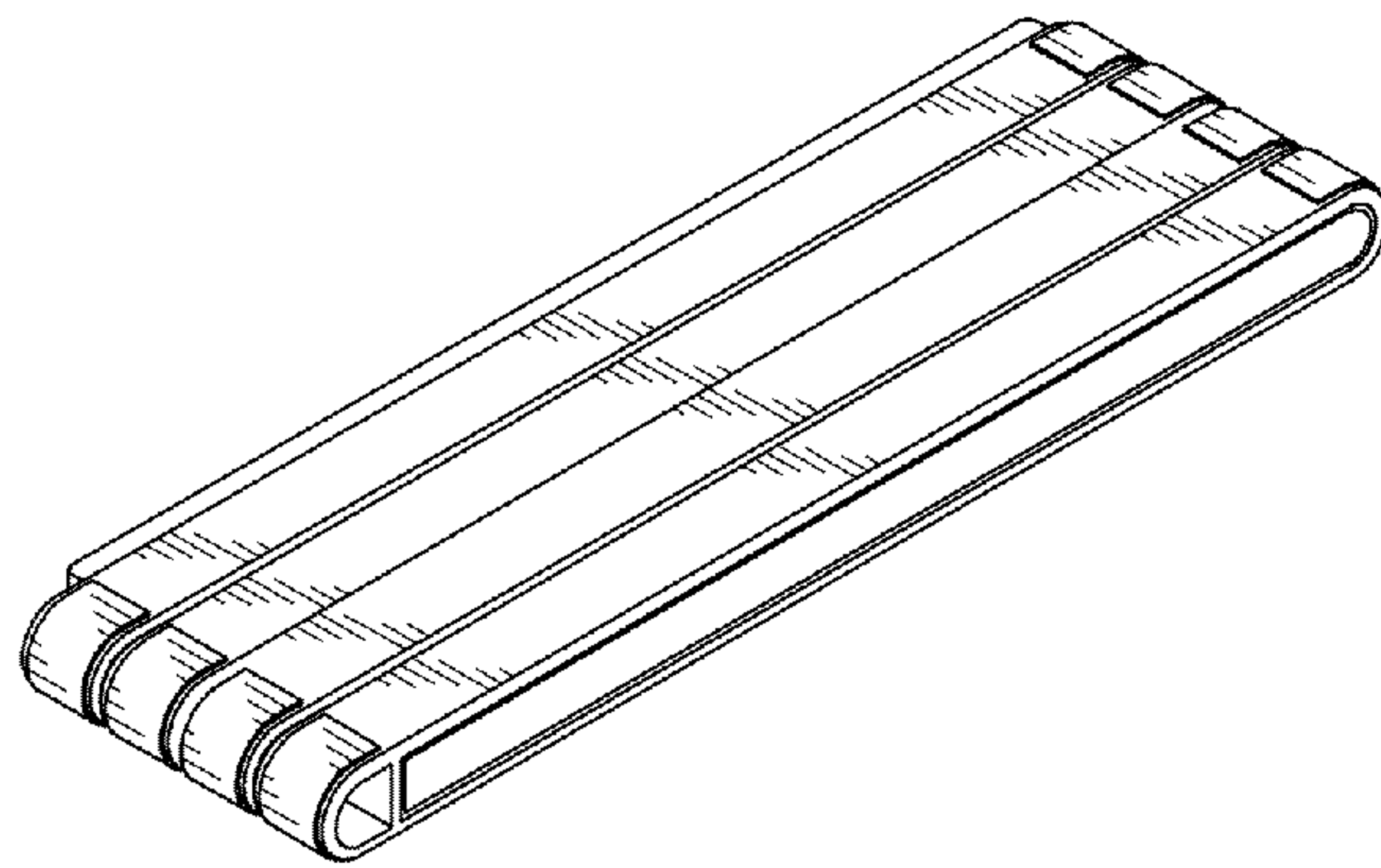


FIG. 8

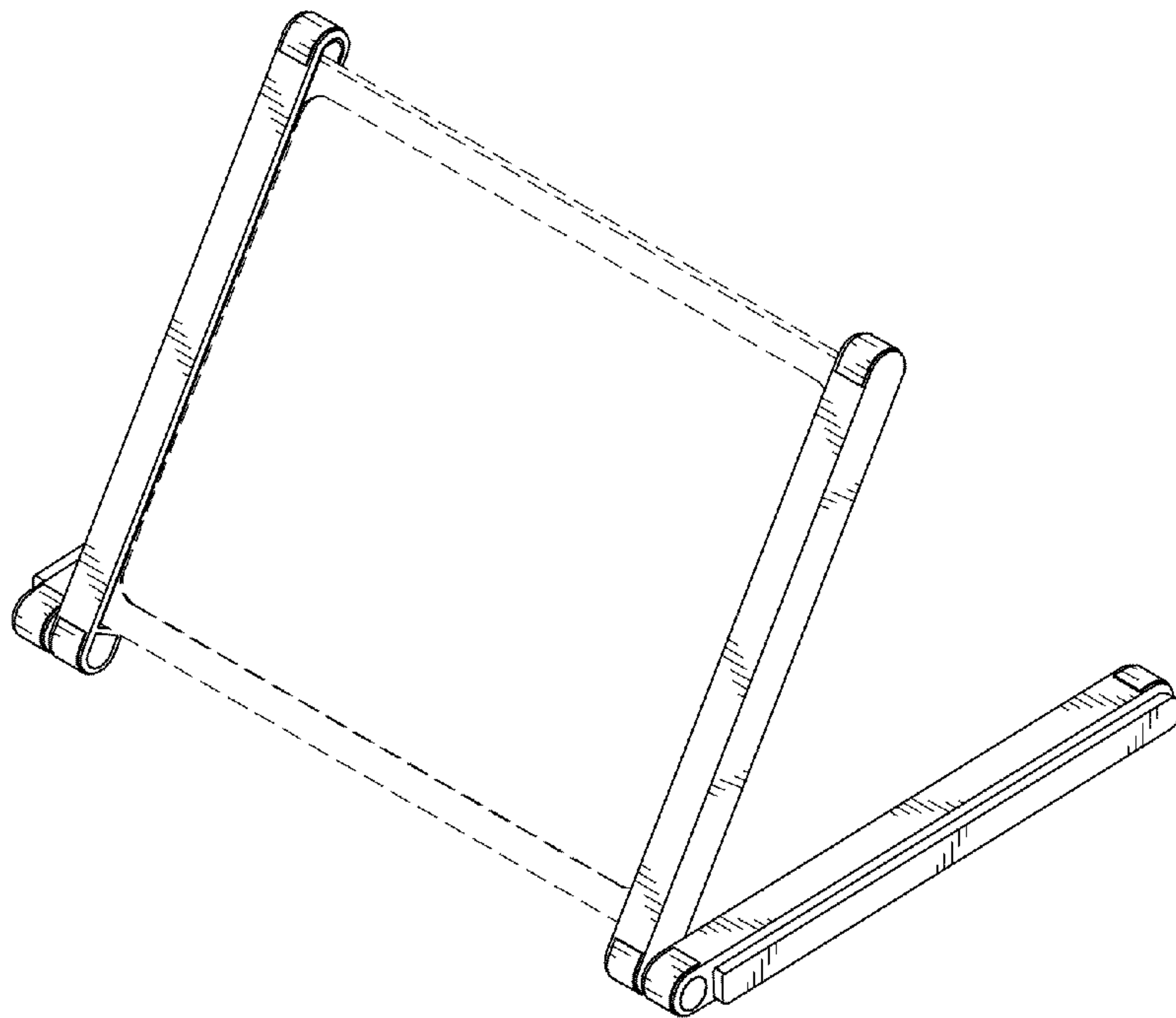


FIG. 9