

US00D669481S

(12) **United States Design Patent**
Prescott et al.

(10) **Patent No.:** **US D669,481 S**
(45) **Date of Patent:** **** Oct. 23, 2012**

(54) **STAND FOR ELECTRONIC DEVICE WITH DISPLAY**

(75) Inventors: **Amy Prescott**, Minneapolis, MN (US);
Kris Verstockt, Taipei (TW)

(73) Assignee: **BBY Solutions, Inc.**, Richfield, MN (US)

(**) Term: **14 Years**

(21) Appl. No.: **29/383,092**

(22) Filed: **Jan. 12, 2011**

(51) **LOC (9) Cl.** **14-04**

(52) **U.S. Cl.** **D14/447**

(58) **Field of Classification Search** D14/447,
D14/432, 434, 433, 439, 440, 448, 451, 452,
D14/457, 400, 401, 239, 217, 238.1, 250,
D14/251, 252, 253; D21/333, 324, 325,
D21/328, 329, 330, 331, 332; D13/107,
D13/108; D6/310, 311, 312, 406.3, 406.4,
D6/406.5, 419, 566; D8/363, 373, 376, 380,
D8/381; 248/917-924, 441.1, 447, 451,
248/459, 460, 462, 463, 121, 139, 151, 434,
248/170, 176.1, 177.1, 281.11, 309.3, 346.5;
361/379.02, 679.05, 679.06, 679.07, 679.09,
361/679.1, 679.21, 679.22, 679.23, 679.25,
361/679.26, 679.27, 679.3, 679.55, 679.56,
361/679.29, 679.28; 379/455, 454; 312/223.3
See application file for complete search history.

(56) **References Cited**

U.S. PATENT DOCUMENTS

D508,916 S * 8/2005 Lee D14/447
D581,252 S * 11/2008 Short D8/354

D592,188 S * 5/2009 Huang D14/217
D602,913 S * 10/2009 Han et al. D14/217
D603,322 S * 11/2009 Nicieja D12/415
D614,613 S * 4/2010 Kim et al. D14/253
D630,222 S * 1/2011 Lin D14/447
D637,593 S * 5/2011 Zanetti D14/253
D640,247 S * 6/2011 Baumann et al. D14/253
D640,707 S * 6/2011 Yeh D14/447
D646,315 S * 10/2011 Orf D16/242
D646,674 S * 10/2011 Liao D14/253
D650,372 S * 12/2011 Molter D14/239

* cited by examiner

Primary Examiner — Angela J Lee

(74) *Attorney, Agent, or Firm* — Beck & Tysver P.L.L.C.

(57) **CLAIM**

The ornamental design for a stand for electronic device with display, as shown and described.

DESCRIPTION

FIG. 1 is an isometric view of a stand for electronic device with display.

FIG. 2 is a front view thereof.

FIG. 3 is a back view thereof.

FIG. 4 is a right side view thereof.

FIG. 5 is a top view thereof.

FIG. 6 is a bottom view thereof.

FIG. 7 is an isometric view of the stand for electronic device with display, depicted in FIGS. 1-6, but with the arm portion shown in an alternate position; and,

FIG. 8 is an isometric view of the stand for electronic device with display, depicted in FIGS. 1-6, but with the arm portion shown in an alternate position.

Those portions shown in broken lines are for illustration only and form no part of the claimed design.

1 Claim, 7 Drawing Sheets

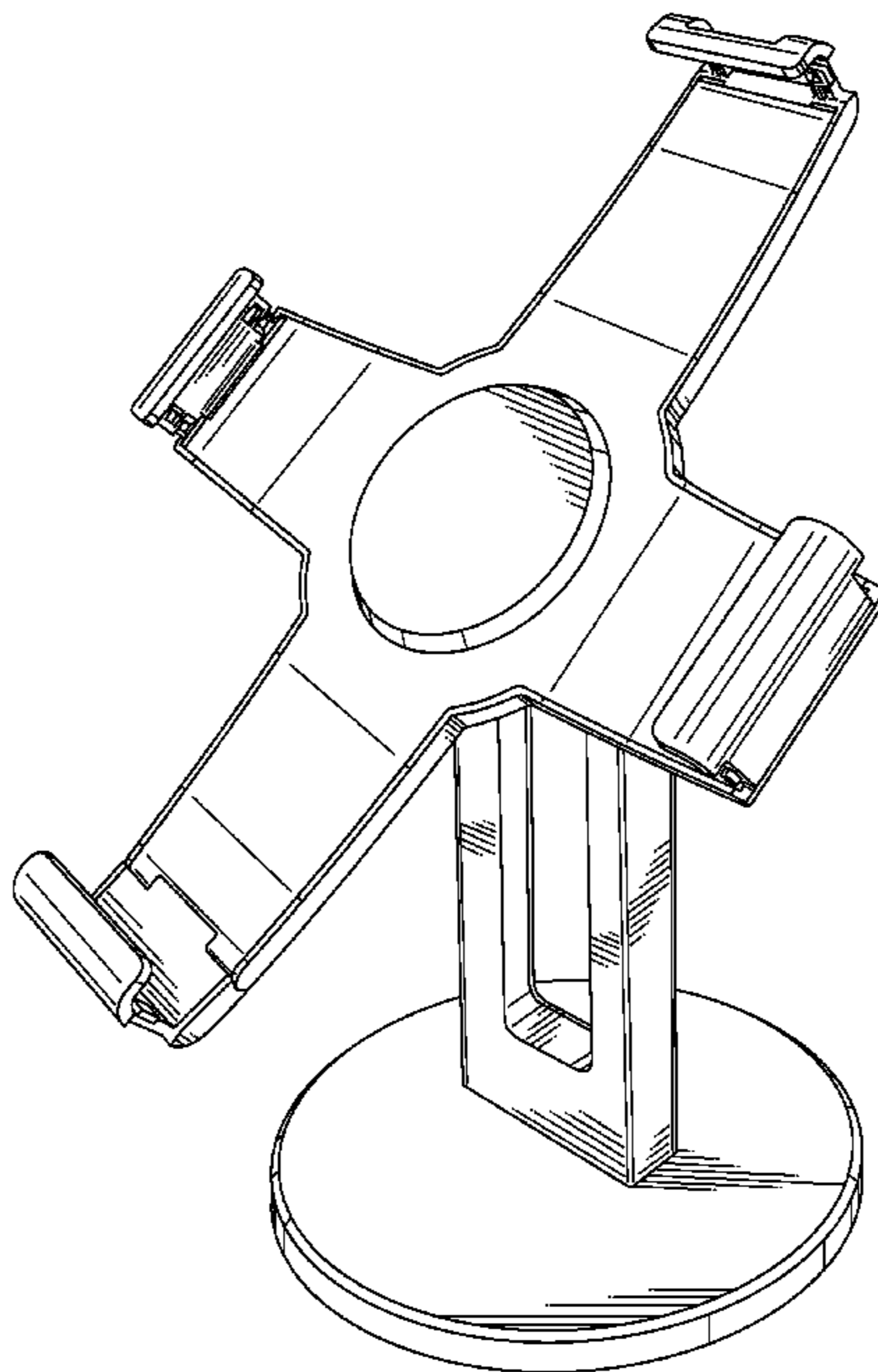


Fig. 1

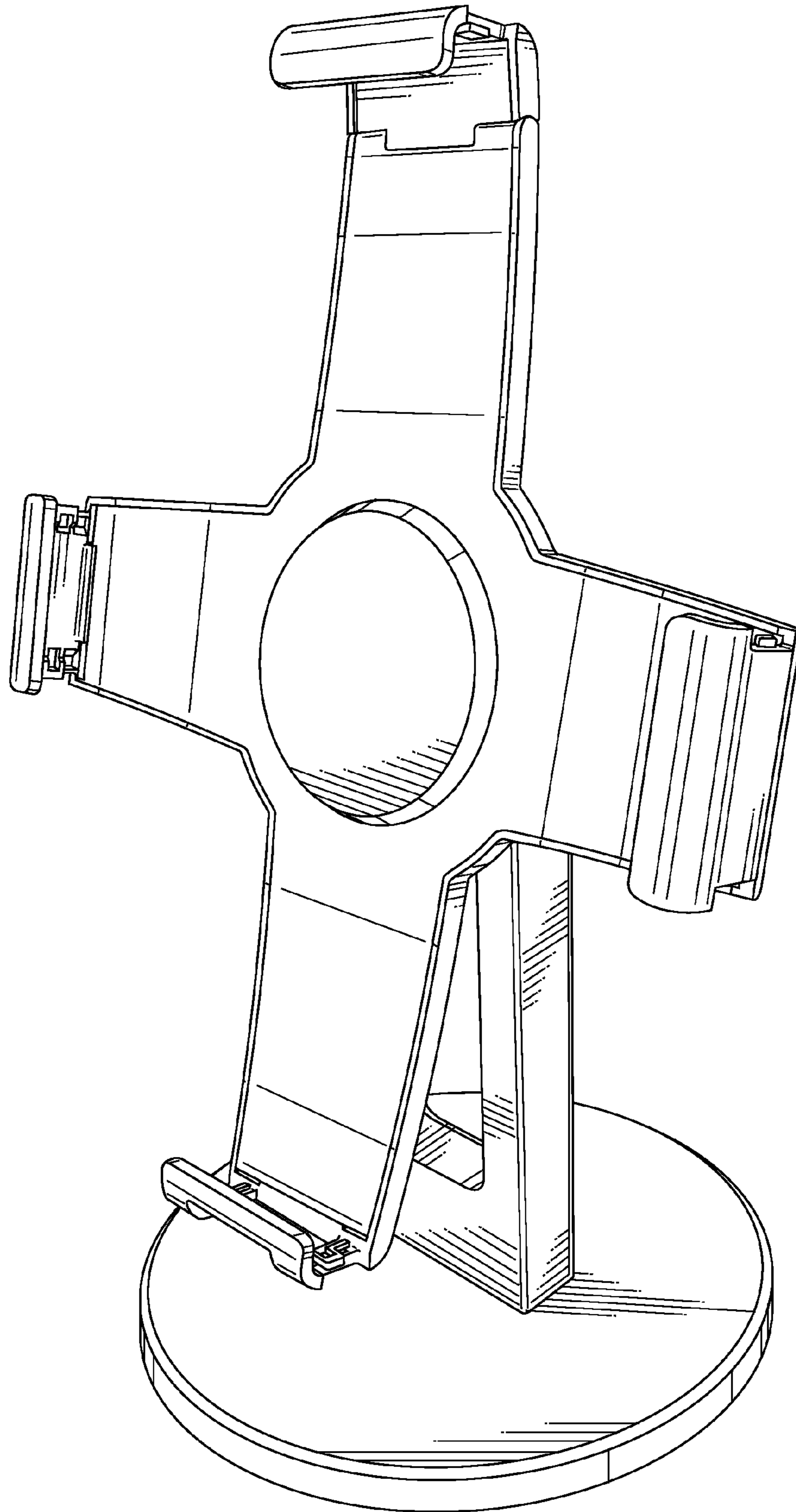


Fig. 2

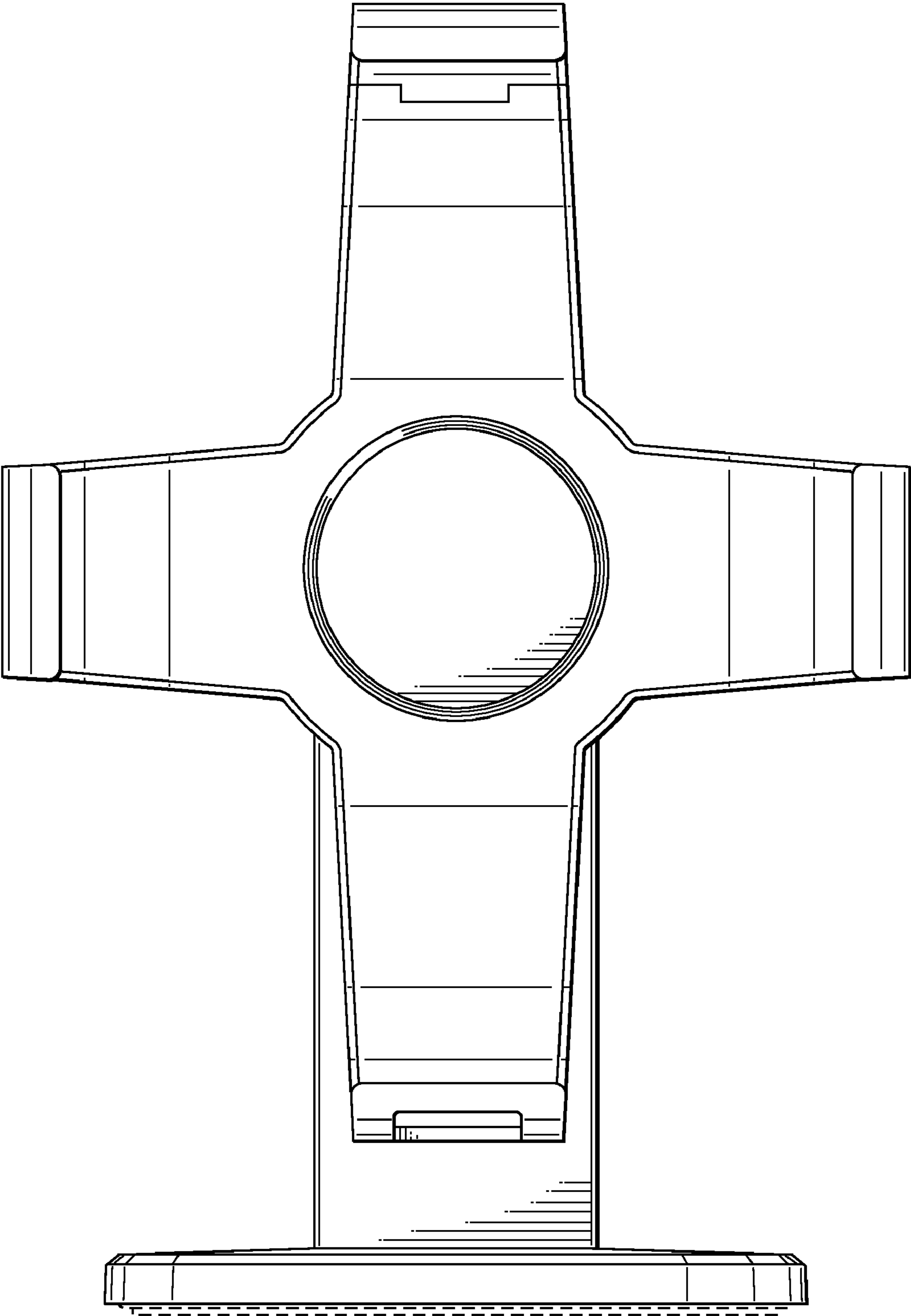


Fig. 3

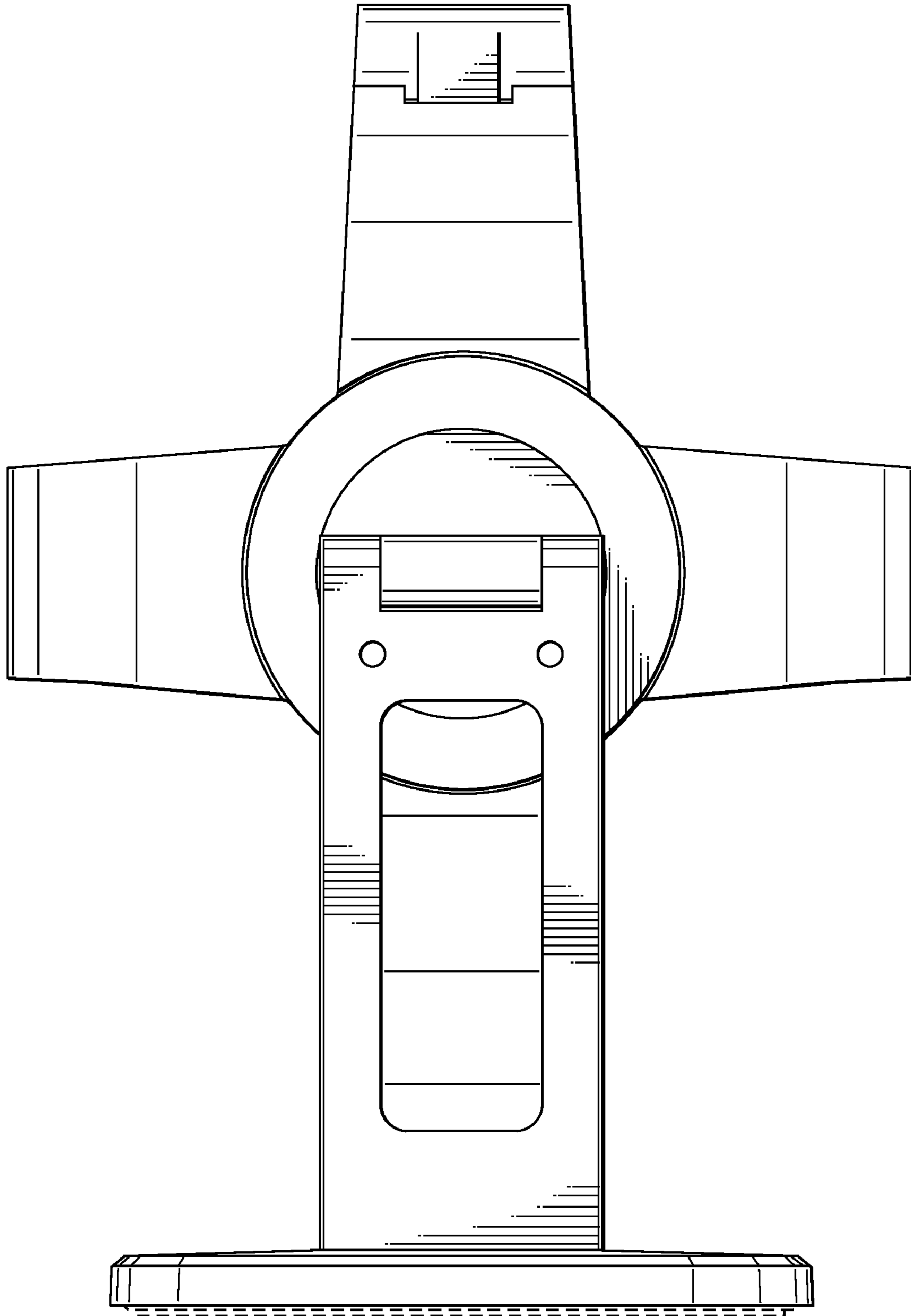


Fig. 4

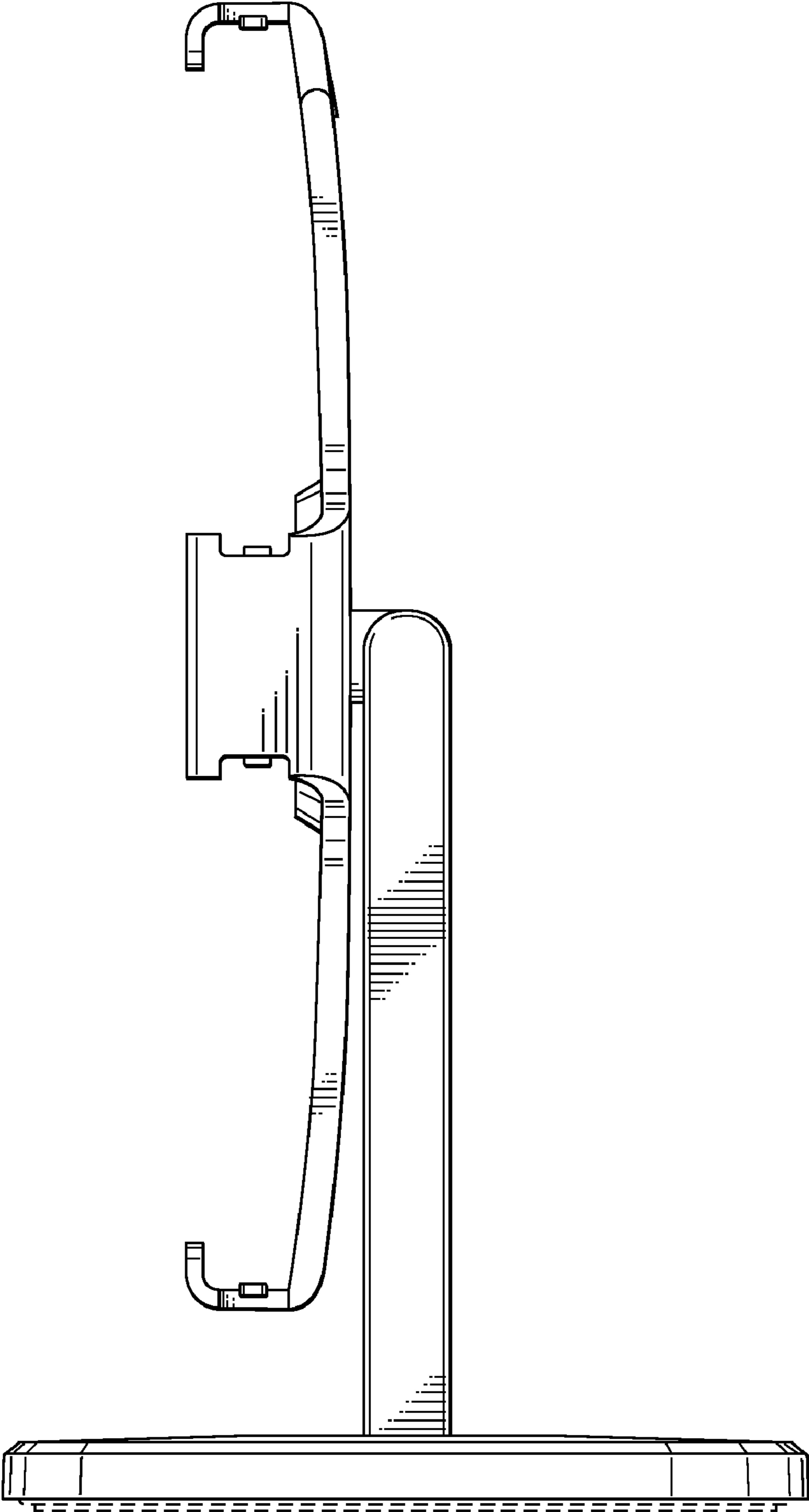


Fig. 5

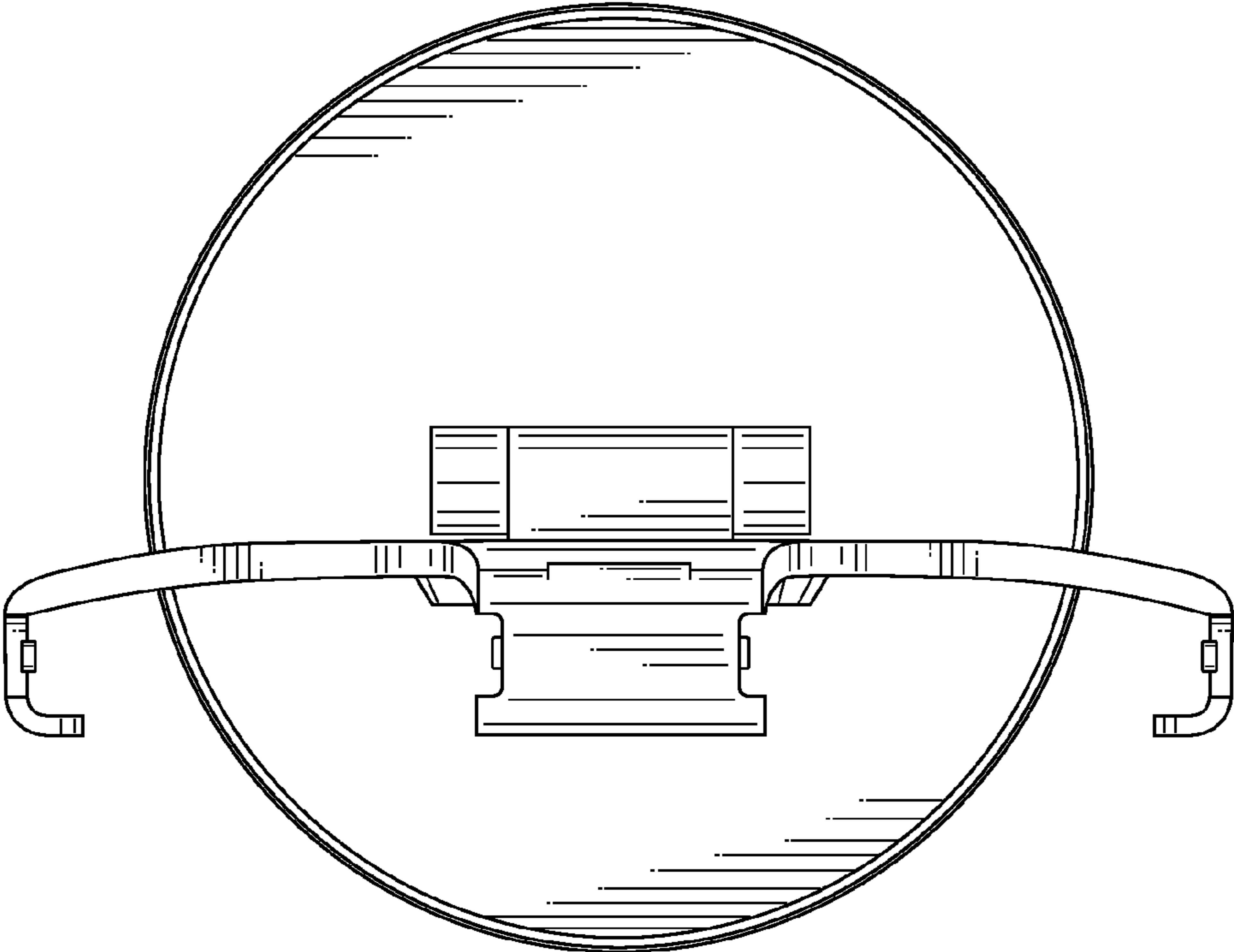


Fig. 6

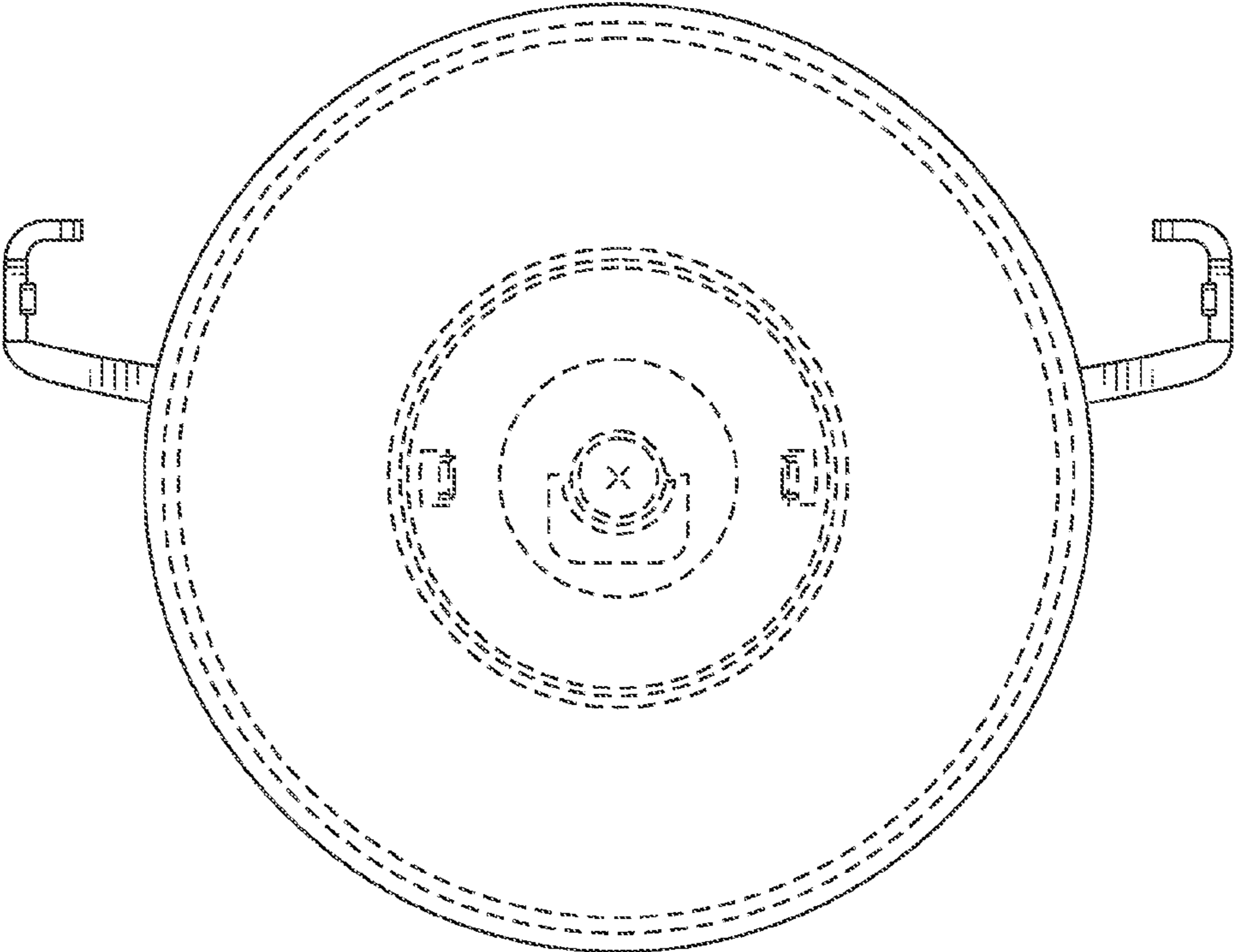


Fig. 7

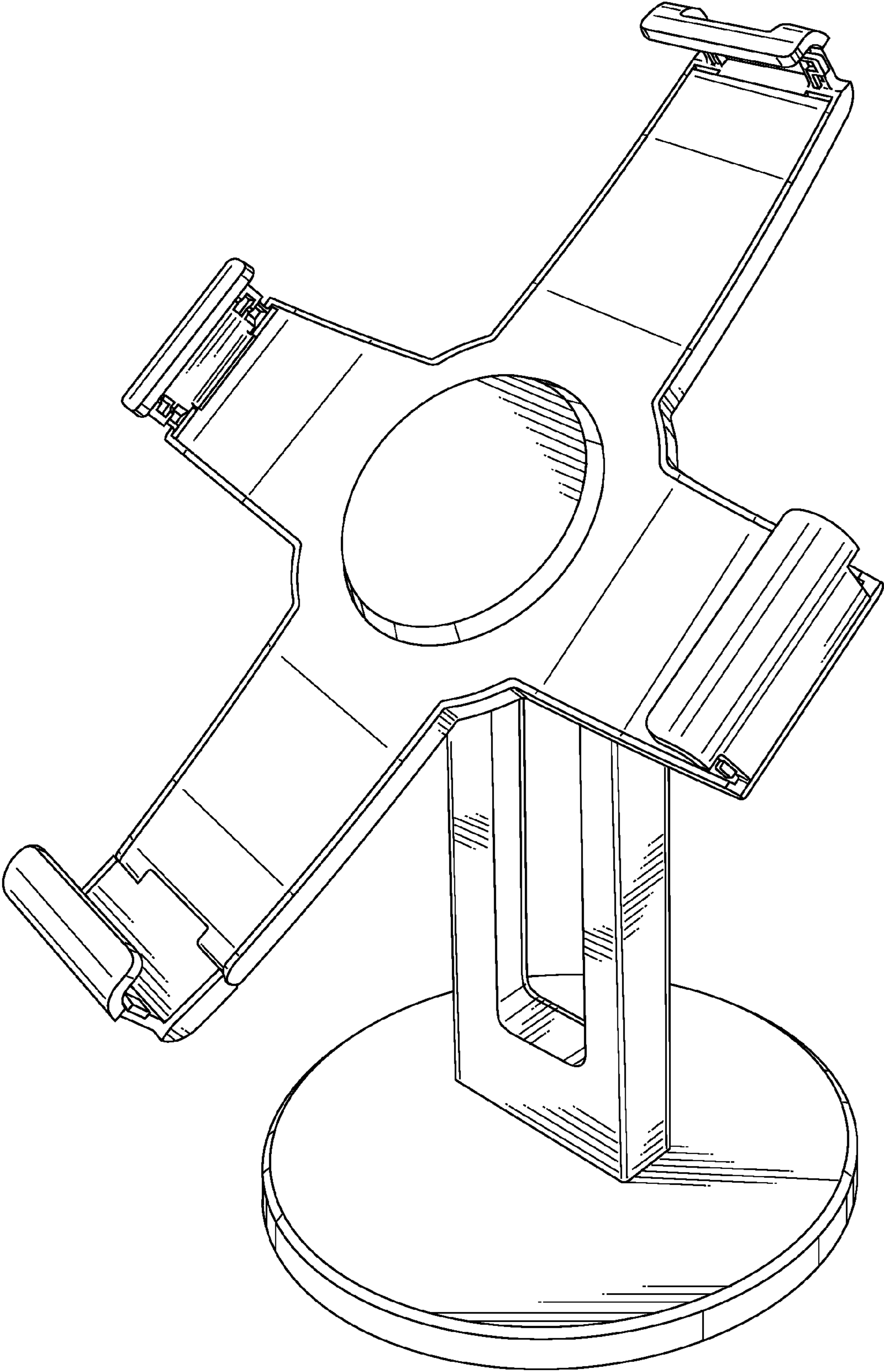


Fig. 8

