

US00D669480S

(12) **United States Design Patent**
Piedra et al.

(10) **Patent No.:** **US D669,480 S**
(45) **Date of Patent:** **** Oct. 23, 2012**

- (54) **TABLET COMPUTER CASE**
- (75) Inventors: **Christopher Piedra**, Miramar, FL (US);
Chanseol Chung, Hollywood, FL (US);
Edward Martin, Hollywood, FL (US)
- (73) Assignee: **Marware Inc.**, Hollywood, FL (US)

- 1,960,073 A * 5/1934 Warner 206/759
- 2,007,089 A * 7/1935 Jones 206/773
- D135,707 S * 5/1943 Druke, Jr. D21/341
- 2,321,145 A * 6/1943 Jones 229/160
- 2,387,790 A * 10/1945 Williamson 206/236
- 3,371,843 A * 3/1968 Hainey 229/167
- 3,495,716 A * 2/1970 Gregory 211/4
- 3,829,132 A * 8/1974 Willieme 281/31

(**) Term: **14 Years**

(Continued)

(21) Appl. No.: **29/365,209**

Primary Examiner — Susan Moon Lee

(22) Filed: **Jul. 6, 2010**

(74) *Attorney, Agent, or Firm* — Laurence A. Greenberg;
Werner H. Stemer; Ralph E. Locher

(51) **LOC (9) Cl.** **14-02**

(52) **U.S. Cl.** **D14/440**

(58) **Field of Classification Search** D14/439,
D14/440, 345, 341–344, 346, 371, 125–129,
D14/327; 206/320, 576, 305, 215, 232, 524,
206/425, 472, 224, 312, 387.13, 307, 387.1,
206/756, 216, 45.2, 45.23, 45.26, 45.29,
206/769, 751, 471, 476, 722; D3/286, 283,
D3/295, 273, 303, 247, 215, 245, 232, 900,
D3/249, 201, 276, 294, 301, 274, 272, 271.5,
D3/218, 299, 290, 289; 224/929; 708/110;
190/109, 100, 119, 901, 102, 111; 361/683,
361/725, 681, 686, 679, 679.09, 679.01;
229/87.5, 67.1, 800; 220/522, 4.23; 345/169,
345/104, 156, 168, 173, 179, 672, 174; 150/147,
150/135; 402/2, 70–78, 500–502; 281/45,
281/38, 31, 29, 19.1, 34; D19/26, 27, 33,
D19/75, 86, 22, 90, 59, 60, 78, 83, 91, 52;
D18/7; 383/97, 4, 110; 178/18.03, 18.01;
349/12; 428/332; D6/632, 407, 627, 634,
D6/631; 248/458, 174, 918; D9/423, 432,
D9/424, 425, 418; D21/341, 385, 335, 393,
D21/392

See application file for complete search history.

(56) **References Cited**

U.S. PATENT DOCUMENTS

1,613,536 A * 1/1927 Rose 132/315

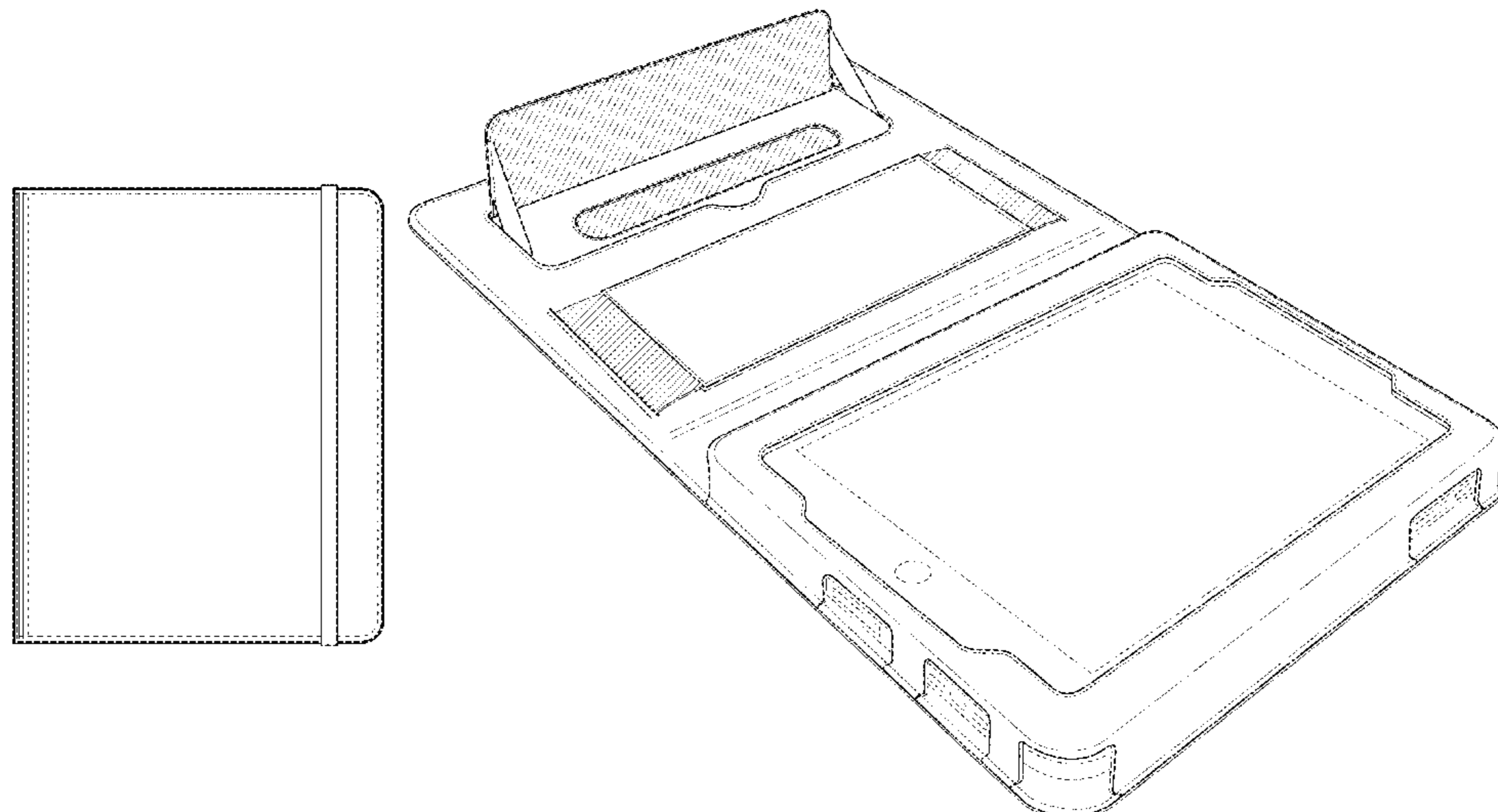
(57) **CLAIM**

The ornamental design for a tablet computer case, as shown and described.

DESCRIPTION

FIG. 1 is a front-elevational view of the outside of the tablet computer case showing my new design in the closed condition;
FIG. 2 is a rear-elevational view thereof;
FIG. 3 is a right-side elevational view thereof;
FIG. 4 is a bottom-plan view thereof, with the top-plan view being a mirror image thereof;
FIG. 5 is a left-side elevational view thereof;
FIG. 6 is an elevation view of the outside of the tablet computer case showing my new design in the open condition;
FIG. 7 is an elevation view of the inside of the tablet computer case showing my new design in the open condition;
FIG. 8 is a perspective view thereof, with the support compartment shown in an open position; and,
FIG. 9 is a perspective view thereof, with the support compartment shown in a closed position.
The short-segmented broken lines represent stitching which is not claimed. The long-segmented broken lines show part of an electronic device for which the design is used, and form no part of the claim.

1 Claim, 5 Drawing Sheets



US D669,480 S

U.S. PATENT DOCUMENTS

D233,374	S *	10/1974	Heeren	D6/634
D237,752	S *	11/1975	Bauer	D3/299
D268,098	S *	3/1983	Brown	D9/418
D268,714	S *	4/1983	Goedel	D3/295
D270,265	S *	8/1983	Kircher et al.	D3/225
4,407,410	A *	10/1983	Graetz et al.	206/387.13
D271,161	S *	11/1983	Compton	D6/634
D281,056	S *	10/1985	de La Tour	D9/722
D284,621	S *	7/1986	Swinney	D6/634
D291,744	S *	9/1987	Cohen	D3/295
D292,807	S *	11/1987	Visnapuu	D19/91
4,771,886	A *	9/1988	Johnson	206/387.13
4,793,477	A *	12/1988	Manning et al.	206/232
D316,181	S *	4/1991	Clifton	D6/634
D317,977	S *	7/1991	Felkner et al.	D3/299
D323,937	S *	2/1992	Solomon	D3/299
5,105,338	A *	4/1992	Held	361/679.09
5,145,068	A *	9/1992	Schmitz et al.	206/472
D330,804	S *	11/1992	Massro et al.	D3/299
5,191,972	A *	3/1993	Helzer et al.	206/0.84
D334,592	S *	4/1993	Nghi	D19/27
D339,063	S *	9/1993	Simon	D9/433
5,337,985	A *	8/1994	Hale	248/174
5,362,063	A *	11/1994	Cummings	273/287
D356,120	S *	3/1995	Allen	D21/335
D359,507	S *	6/1995	Schmidt	D19/26
D364,191	S *	11/1995	Allen	D21/335
5,607,054	A *	3/1997	Hollingsworth	206/320
D378,720	S *	4/1997	Ebenreth	D6/632
D381,692	S *	7/1997	Lovell	D19/91
D381,703	S *	7/1997	Wiles et al.	D21/392
5,663,748	A *	9/1997	Huffman et al.	345/173
5,697,793	A *	12/1997	Huffman et al.	434/317
5,762,375	A *	6/1998	Kogutt et al.	281/37
5,775,489	A *	7/1998	Vickers	206/307.1
5,794,631	A *	8/1998	Sylvester	206/387.1
D398,527	S *	9/1998	Maceachern et al.	D9/432
5,845,425	A *	12/1998	Leake et al.	40/725
5,847,698	A *	12/1998	Reavey et al.	345/173
D414,033	S *	9/1999	Rohm	D3/249
5,961,150	A *	10/1999	Kogutt et al.	281/37
5,971,148	A *	10/1999	Jackson	206/320
D423,273	S *	4/2000	Sankey et al.	D6/632
D424,434	S *	5/2000	Hoffman	D9/432
6,082,029	A *	7/2000	Hoffman	40/124.06
D429,761	S *	8/2000	Ward	D19/31
D435,550	S *	12/2000	Chu et al.	D14/345
D437,612	S *	2/2001	Verdicchio	D19/26
D439,742	S *	4/2001	Fujino et al.	D3/290
6,234,085	B1 *	5/2001	Ramundo	108/43
D445,626	S *	7/2001	Myszka et al.	D6/629
6,256,193	B1 *	7/2001	Janik et al.	361/679.59
6,267,236	B1 *	7/2001	Seok	206/320
D446,390	S *	8/2001	Myles et al.	D3/299
6,269,948	B1 *	8/2001	Jackson	206/320
D448,764	S *	10/2001	Marsalka et al.	D14/345
6,301,098	B1 *	10/2001	Kim	361/679.55
6,307,741	B1 *	10/2001	Karidis et al.	361/679.27
D451,133	S *	11/2001	Moor	D19/26
6,357,592	B1 *	3/2002	Coia	206/472
D459,723	S *	7/2002	Colvin et al.	D14/345
D462,518	S *	9/2002	Truffier-Blanc et al.	D3/273
6,513,836	B2 *	2/2003	Li	281/22
6,659,271	B2 *	12/2003	Parsons	206/232
D488,625	S *	4/2004	Sakaguchi	D6/301
D491,942	S *	6/2004	Takahashi	D14/374
6,772,879	B1 *	8/2004	Domotor	206/45.23
D499,551	S *	12/2004	Lederer et al.	D3/299
D499,772	S *	12/2004	Creech	D21/385
6,935,497	B1 *	8/2005	Domotor et al.	206/320
D510,348	S *	10/2005	Kaczowka	D14/341
D511,093	S *	11/2005	Keeton	D9/433
D517,545	S *	3/2006	Buckel et al.	D14/345
D517,911	S *	3/2006	Alexander et al.	D9/433
7,109,977	B2 *	9/2006	Durso	345/173
D545,363	S *	6/2007	McCormack	D19/27
7,281,698	B2 *	10/2007	Patterson, Jr.	248/458
D560,370	S *	1/2008	Schammel	D6/301
D562,049	S *	2/2008	Abolfazlian	D6/632
D570,103	S *	6/2008	Harris et al.	D3/218
D573,459	S *	7/2008	Snider et al.	D3/294
D576,873	S *	9/2008	Kim	D9/418
D582,405	S *	12/2008	Andre et al.	D3/299
D584,726	S *	1/2009	Morita	D14/341
D586,602	S *	2/2009	Sankey et al.	D6/632
D586,808	S *	2/2009	Wang	D14/356
D588,354	S *	3/2009	Chamberlain	D3/201
7,561,415	B2 *	7/2009	Liou et al.	361/679.26
7,568,301	B1 *	8/2009	Zemlansky et al.	40/358
D600,699	S *	9/2009	Johnston et al.	D14/440
7,672,117	B1 *	3/2010	Gary et al.	361/679.01
D616,365	S *	5/2010	Wang et al.	D13/119
D629,203	S *	12/2010	Sayre	D3/299
D629,798	S *	12/2010	Arie et al.	D14/341
D632,169	S *	2/2011	Ruth	D9/423
7,921,997	B2 *	4/2011	Burns	206/320
D638,833	S *	5/2011	Chuang	D14/315
D639,286	S *	6/2011	Mohoney	D14/250
D639,806	S *	6/2011	Lee et al.	D14/345
D643,433	S *	8/2011	Hsieh et al.	D14/440
D646,892	S *	10/2011	Littleton	D3/299
8,047,365	B1 *	11/2011	Lin et al.	206/320
8,132,670	B1 *	3/2012	Chen	206/320
2003/0217940	A1 *	11/2003	Russell et al.	206/320
2006/0081489	A1 *	4/2006	Wheeler et al.	206/320
2006/0226040	A1 *	10/2006	Medina	206/320
2008/0087563	A1 *	4/2008	Kim	206/299
2010/0110629	A1 *	5/2010	Dietz et al.	361/679.55
2010/0122924	A1 *	5/2010	Andrews	206/320
2010/0294683	A1 *	11/2010	Mish et al.	206/320
2011/0073505	A1 *	3/2011	Stiehl	206/320
2012/0037523	A1 *	2/2012	Diebel et al.	206/320
2012/0043234	A1 *	2/2012	Westrup	206/320
2012/0043235	A1 *	2/2012	Klement	206/320

* cited by examiner



FIG. 2



FIG. 3

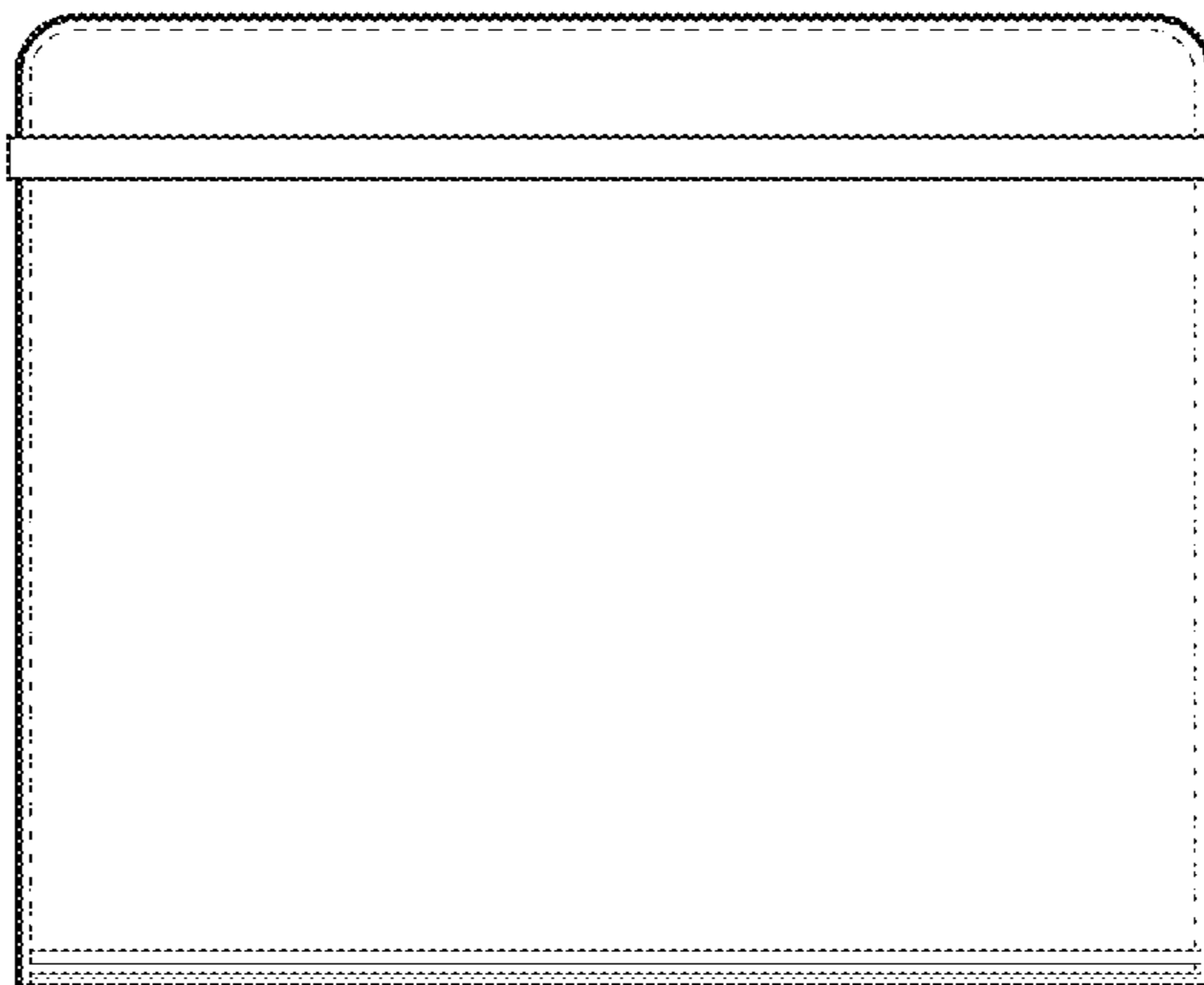


FIG. 1

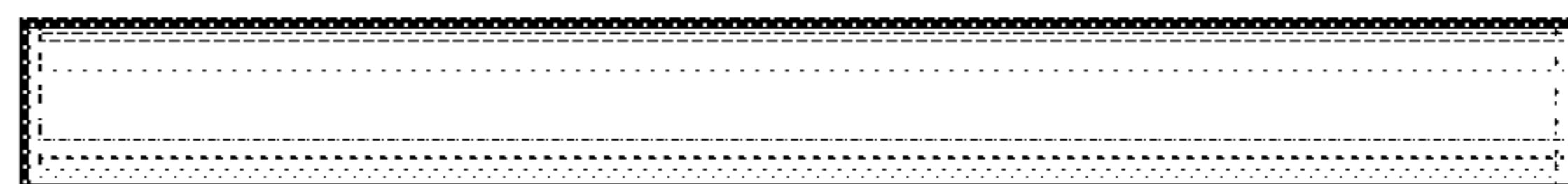


FIG. 5



FIG. 4

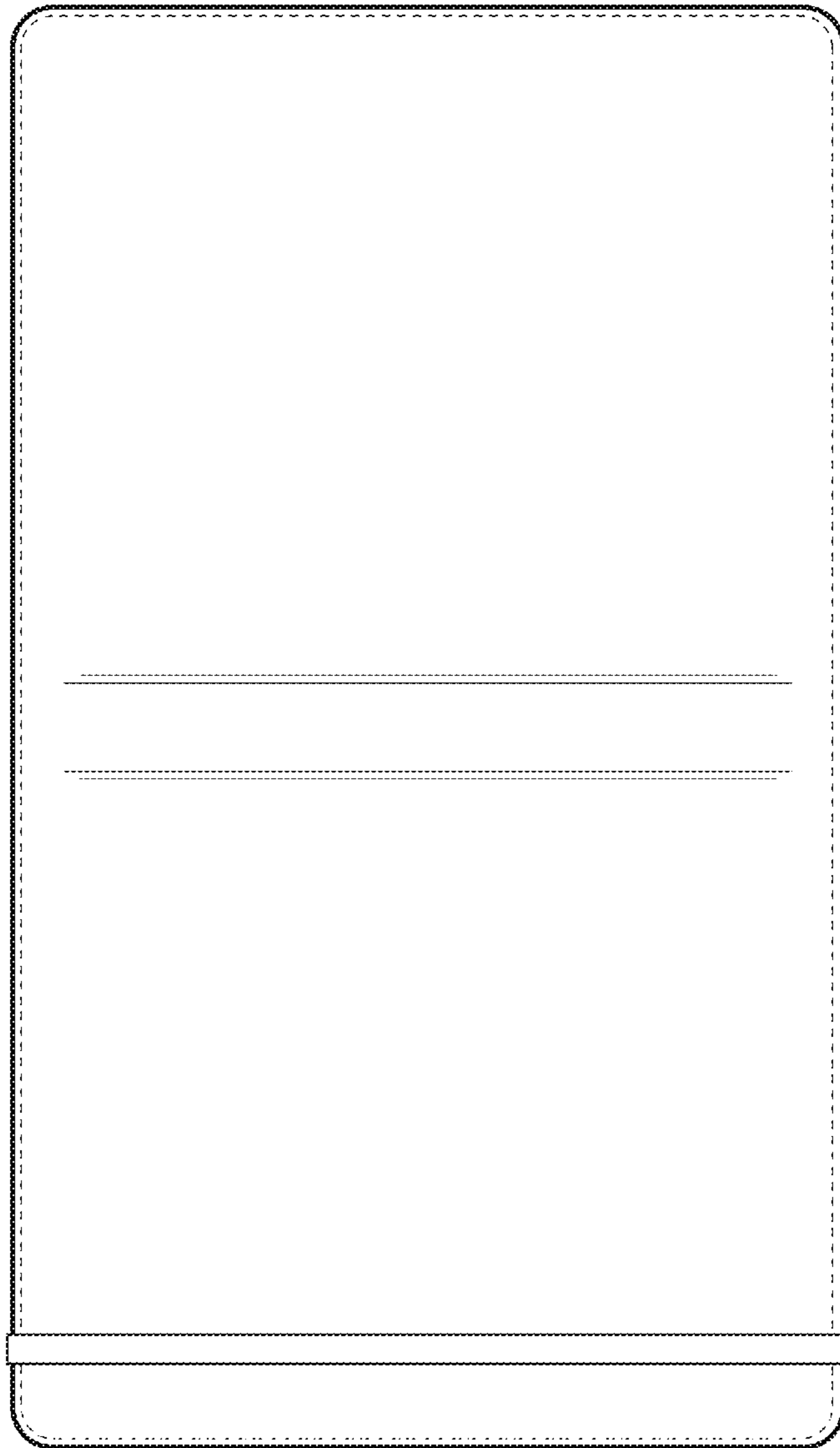


FIG. 6

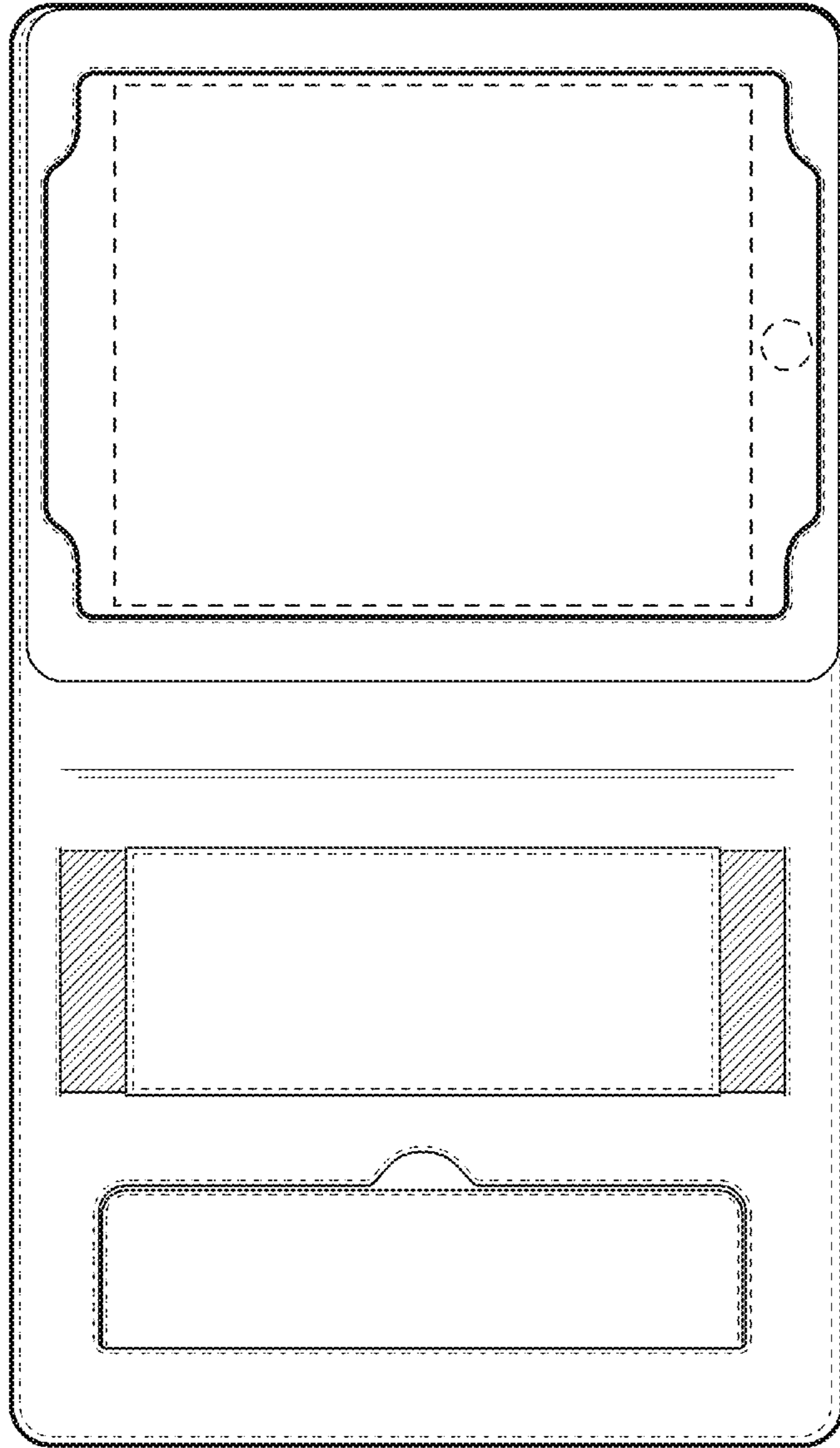


FIG. 7

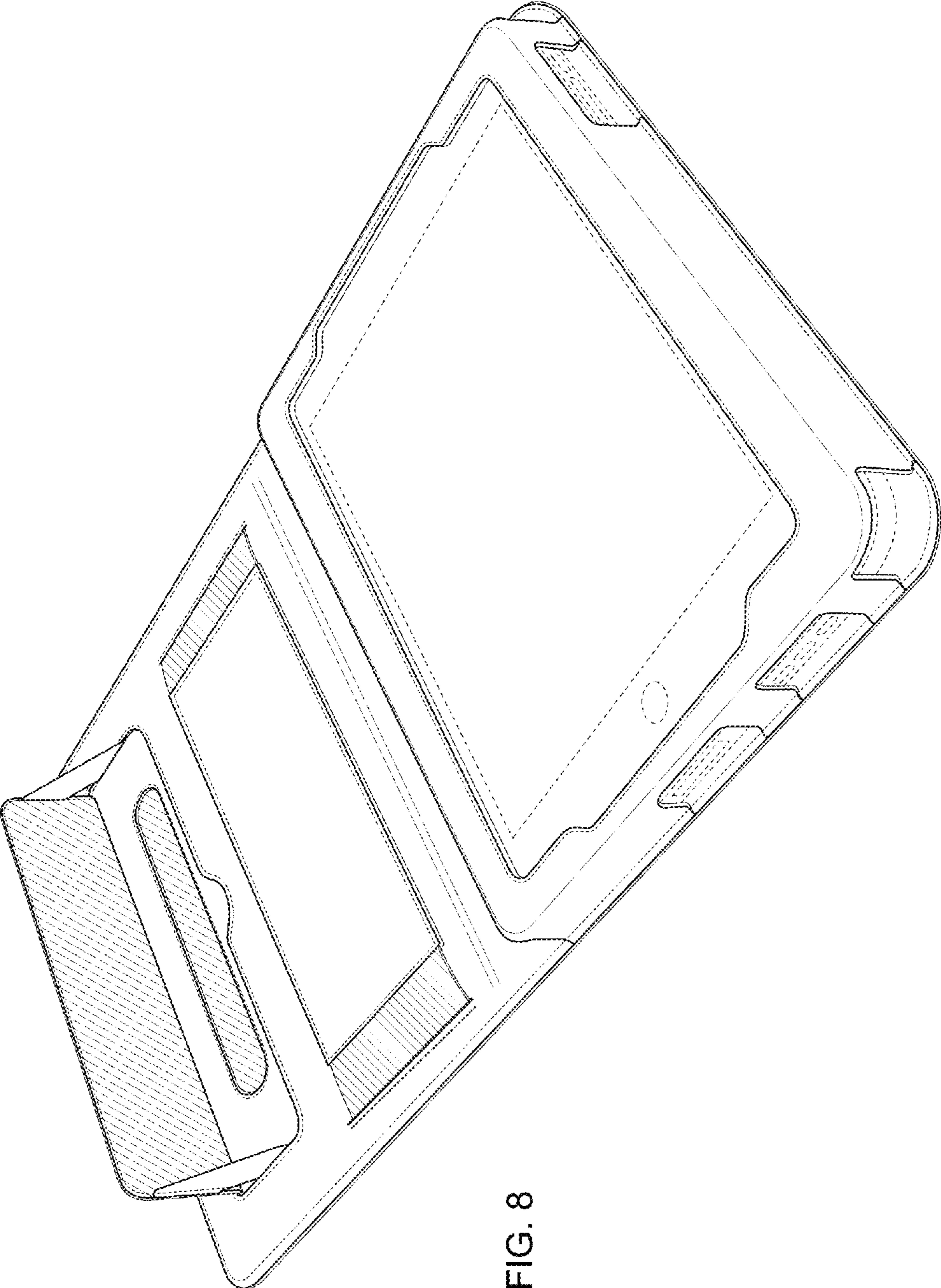


FIG. 8

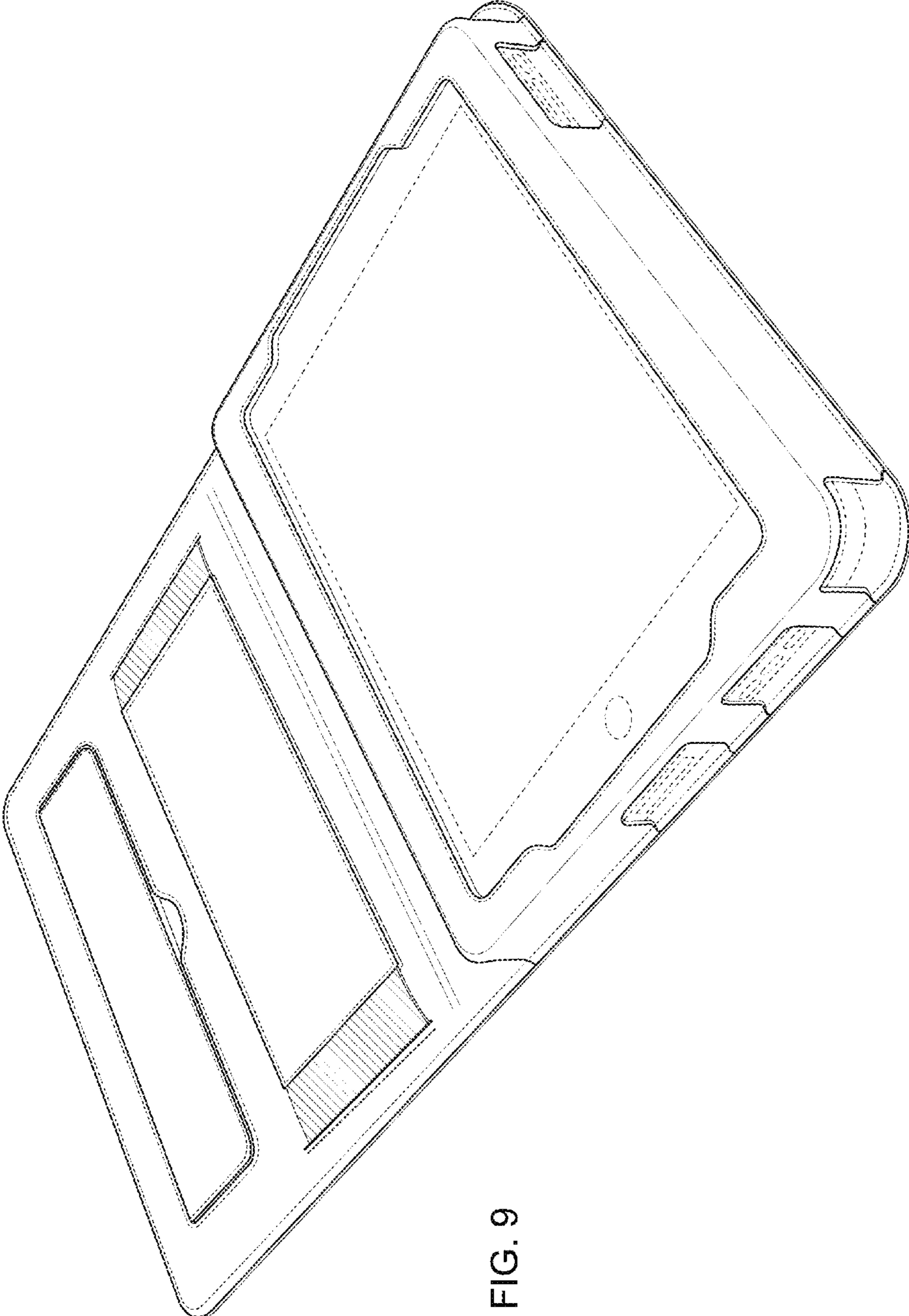


FIG. 9