



US00D669478S

(12) **United States Design Patent**
Lepp et al.

(10) **Patent No.:** **US D669,478 S**
(45) **Date of Patent:** **** Oct. 23, 2012**

(54) **DEVICE SMART CARD**

(75) Inventors: **James Randolph Winter Lepp**, Ottawa (CA); **Oleg Los**, Buffalo Grove, IL (US)

(73) Assignee: **Research In Motion Limited**, Waterloo, Ontario (CA)

(**) Term: **14 Years**

(21) Appl. No.: **29/410,976**

(22) Filed: **Jan. 13, 2012**

(51) **LOC (9) Cl.** **14-02**

(52) **U.S. Cl.** **D14/436**

(58) **Field of Classification Search** D14/435-438, D14/478-480; 235/441, 443, 487, 492, 493, 235/495; 361/737, 679, 752, 736, 728, 796, 361/797, 729, 730, 725-727; 257/678, 679, 257/693, E23.064; 439/946, 948, 159; 174/250, 174/260, 52.1, 52.2; 710/300-303; 438/121

See application file for complete search history.

(56) **References Cited**

U.S. PATENT DOCUMENTS

D261,760	S *	11/1981	Dlugos	D14/438
D413,879	S *	9/1999	Wu	D14/436
6,040,622	A *	3/2000	Wallace	257/679
6,102,743	A *	8/2000	Haffenden et al.	439/630
D444,473	S *	7/2001	Okamoto et al.	D14/436
D445,096	S *	7/2001	Wallace	D14/436
D445,111	S *	7/2001	Okamoto et al.	D14/436
6,264,506	B1 *	7/2001	Yasufuku et al.	439/638
D447,481	S *	9/2001	Wallace et al.	D14/436
D452,243	S *	12/2001	Wallace	D14/436
D452,690	S *	1/2002	Wallace et al.	D14/436
D452,864	S *	1/2002	Wallace et al.	D14/436
D452,865	S *	1/2002	Wallace et al.	D14/436
D453,934	S *	2/2002	Wallace et al.	D14/436
6,381,143	B1 *	4/2002	Nakamura	361/737
6,410,355	B1 *	6/2002	Wallace	438/15
6,433,285	B2 *	8/2002	Maeda et al.	174/260
6,444,501	B1 *	9/2002	Bolken	438/127

6,462,273	B1 *	10/2002	Corisis et al.	174/521
6,480,390	B2 *	11/2002	Matsumiya et al.	361/736
6,483,038	B2 *	11/2002	Lee et al.	174/255
D467,586	S *	12/2002	Shimoda et al.	D14/436
6,490,667	B1 *	12/2002	Ikeda	711/163
D474,473	S *	5/2003	Fischer et al.	D14/437
6,624,005	B1 *	9/2003	DiCaprio et al.	438/113
6,634,561	B1 *	10/2003	Wallace	235/492
6,646,885	B1 *	11/2003	Yu et al.	361/737
D488,477	S *	4/2004	Yu et al.	D14/436
6,729,892	B2 *	5/2004	Takada et al.	439/159
D491,951	S *	6/2004	Yu et al.	D14/436
D492,314	S *	6/2004	Huang et al.	D14/436
D493,798	S *	8/2004	Yu et al.	D14/436
6,776,348	B2 *	8/2004	Liu et al.	235/492
6,816,386	B2 *	11/2004	Oguchi et al.	361/769
6,817,533	B2 *	11/2004	Chen	235/492
6,834,810	B2 *	12/2004	Maruyama	235/492
6,851,959	B2 *	2/2005	Ooya et al.	439/159
6,858,925	B2 *	2/2005	Wada et al.	257/679
6,865,086	B2 *	3/2005	Gochnour et al.	361/737
D504,433	S *	4/2005	Nishizawa et al.	D14/436
6,877,994	B2 *	4/2005	Huang	439/76.1
6,890,188	B1 *	5/2005	Le	439/76.1
6,908,038	B1 *	6/2005	Le	235/492

(Continued)

Primary Examiner — Susan Moon Lee

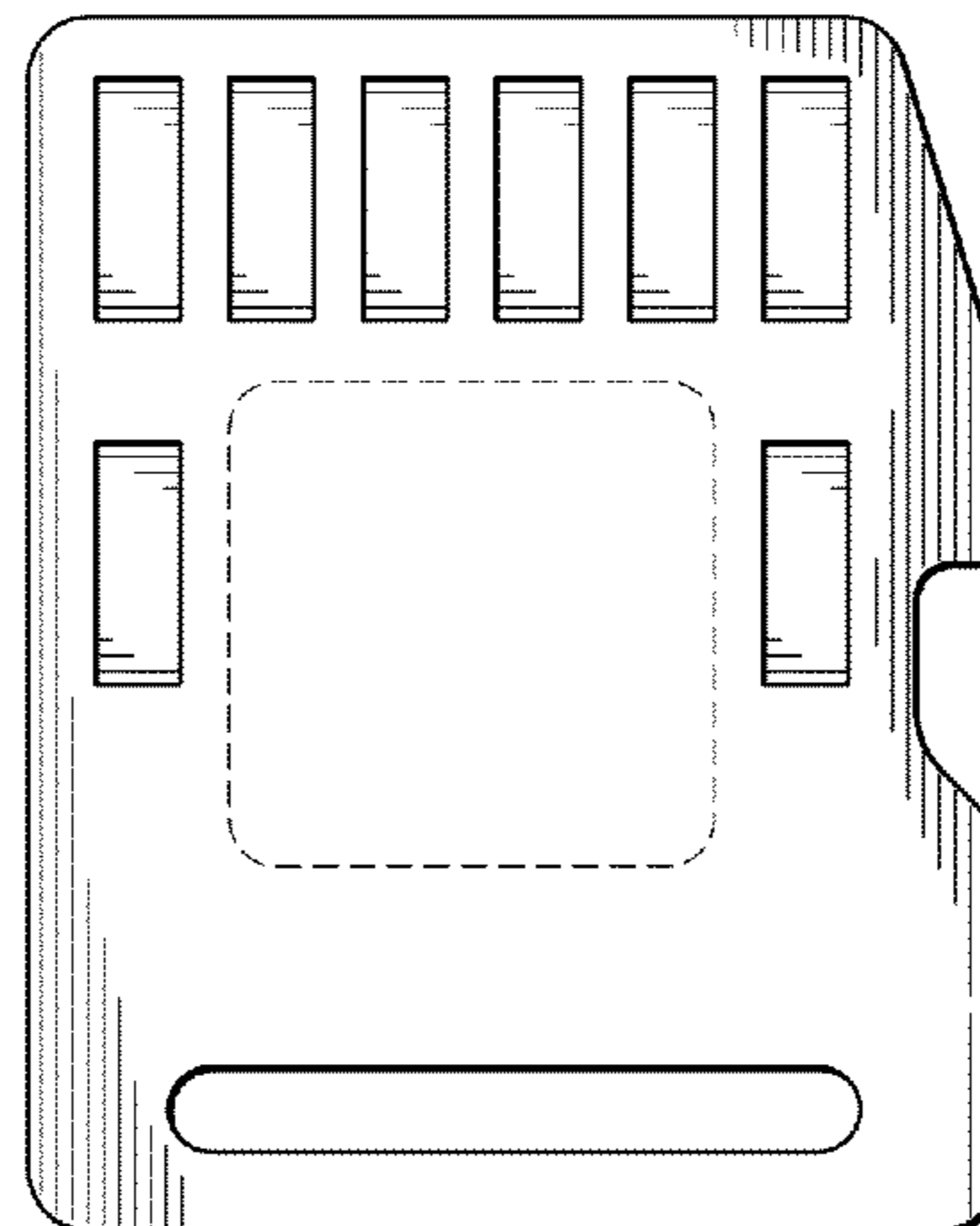
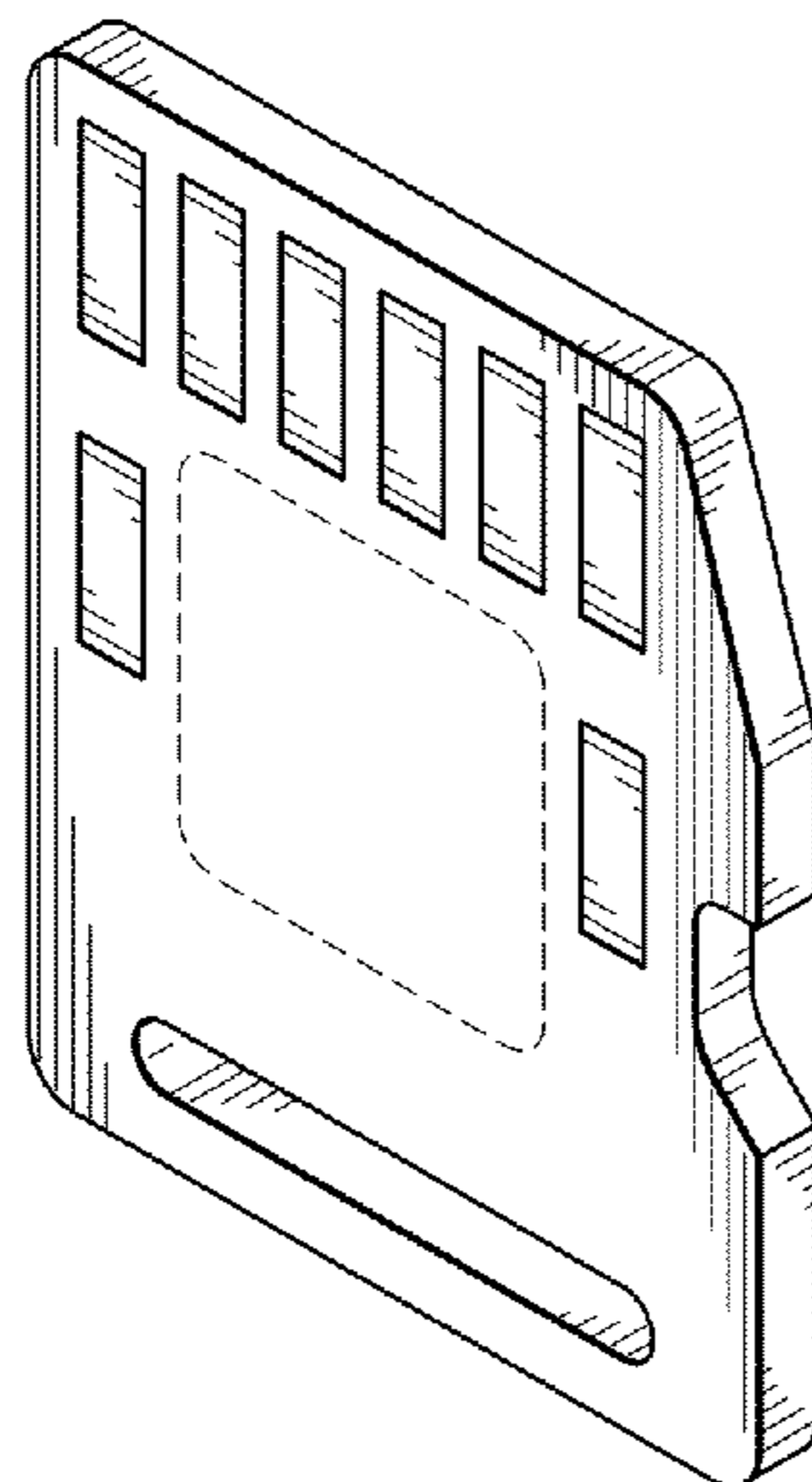
(57) **CLAIM**

We claim the ornamental design for a device smart card, as shown and described.

DESCRIPTION

FIG. 1 is a front perspective view of a device smart card; FIG. 2 is a front elevational view of the device smart card; FIG. 3 is a back elevational view thereof; FIG. 4 is a left elevational view thereof; FIG. 5 is a right elevational view thereof; FIG. 6 is a top plan view thereof; and, FIG. 7 is a bottom plan view thereof. The portions of the smart card depicted in broken line are not claimed.

1 Claim, 2 Drawing Sheets



US D669,478 S

U.S. PATENT DOCUMENTS

6,910,635	B1 *	6/2005	Miks et al.	235/487	7,491,076	B2 *	2/2009	Gu et al.	439/217
6,932,654	B2 *	8/2005	Washino	439/630	D588,133	S *	3/2009	Nakamura	D14/436
6,944,028	B1 *	9/2005	Yu et al.	361/737	D588,134	S *	3/2009	Nakamura	D14/436
D510,935	S *	10/2005	Yamada et al.	D14/436	D588,597	S *	3/2009	Nakamura	D14/436
6,970,359	B2 *	11/2005	Gochnour et al.	361/737	D588,598	S *	3/2009	Nakamura	D14/436
6,979,227	B2 *	12/2005	Ikeda	439/630	D588,599	S *	3/2009	Nakamura	D14/436
6,994,263	B2 *	2/2006	Ueda et al.	235/492	D591,754	S *	5/2009	Hwangbo et al.	D14/436
D517,072	S *	3/2006	Yamada et al.	D14/436	D595,696	S *	7/2009	Greitzke	D14/218
D517,559	S *	3/2006	Yu et al.	D14/436	7,560,806	B2 *	7/2009	Aoki	257/679
D518,059	S *	3/2006	Cuellar et al.	D14/436	7,615,855	B2 *	11/2009	Osako et al.	257/679
7,032,827	B2 *	4/2006	Wang et al.	235/492	7,862,381	B2 *	1/2011	Miller	439/630
7,059,871	B1 *	6/2006	Hsiao	439/76.1	7,909,251	B2 *	3/2011	Yi et al.	235/451
7,063,538	B2 *	6/2006	Chen	439/62	7,909,611	B2 *	3/2011	Miller	439/60
7,083,107	B2 *	8/2006	Sakamoto et al.	235/492	D639,302	S *	6/2011	Nakamura	D14/436
7,094,106	B2 *	8/2006	Yamamoto et al.	439/630	D639,812	S *	6/2011	Nakamura	D14/436
7,097,510	B1 *	8/2006	Chen	439/630	D643,040	S *	8/2011	Sedio et al.	D14/436
7,097,512	B1 *	8/2006	Hsiao et al.	439/630	D643,431	S *	8/2011	Nakamura	D14/436
D529,031	S *	9/2006	Huang et al.	D14/436	D643,432	S *	8/2011	Nakamura	D14/436
7,102,891	B1 *	9/2006	Miks et al.	361/737	D645,866	S *	9/2011	Schindler	D14/435
D532,788	S *	11/2006	Cuellar et al.	D14/436	D647,532	S *	10/2011	Busch	D14/480.3
D533,556	S *	12/2006	Yamada et al.	D14/436	8,167,659	B2 *	5/2012	Miller	439/630
7,152,801	B2 *	12/2006	Cuellar et al.	235/492	2002/0116668	A1 *	8/2002	Chhor et al.	714/42
7,179,129	B1 *	2/2007	Hwang	439/630	2003/0109179	A1 *	6/2003	Kaneshiro et al.	439/638
7,193,161	B1 *	3/2007	Takiar et al.	174/521	2004/0037145	A1 *	2/2004	Tagawa et al.	365/222
D542,797	S *	5/2007	Cuellar et al.	D14/436	2004/0062112	A1 *	4/2004	Nishizawa et al.	365/202
7,218,528	B2 *	5/2007	Chen	361/737	2004/0066693	A1 *	4/2004	Osako et al.	365/222
7,226,318	B1 *	6/2007	Lee	439/630	2004/0070952	A1 *	4/2004	Higuchi et al.	361/737
7,233,499	B2 *	6/2007	Yu et al.	361/737	2004/0084538	A1 *	5/2004	Nishizawa et al.	235/492
D552,098	S *	10/2007	Nishizawa et al.	D14/436	2004/0087213	A1 *	5/2004	Kao	439/638
D552,099	S *	10/2007	Nishizawa et al.	D14/436	2005/0182858	A1 *	8/2005	Lo et al.	710/1
D554,123	S *	10/2007	Day et al.	D14/436	2005/0248926	A1 *	11/2005	Asom et al.	361/752
7,291,903	B2 *	11/2007	Nishizawa et al.	257/679	2005/0253239	A1 *	11/2005	Nishizawa et al.	257/679
D556,764	S *	12/2007	Nishizawa et al.	D14/436	2005/0279838	A1 *	12/2005	Wang et al.	235/492
7,306,160	B2 *	12/2007	Takiar et al.	235/492	2005/0281010	A1 *	12/2005	Wang et al.	361/752
7,320,622	B2 *	1/2008	Ying et al.	439/630	2006/0000914	A1 *	1/2006	Chen	235/492
7,335,034	B1 *	2/2008	Liu	439/76.1	2006/0003609	A1 *	1/2006	Hwang	439/76.1
7,336,498	B2 *	2/2008	Takiar et al.	361/737	2006/0049265	A1 *	3/2006	Ho et al.	235/492
7,355,860	B2 *	4/2008	Miller et al.	361/737	2006/0194479	A1 *	8/2006	Osako et al.	439/638
7,359,204	B1 *	4/2008	Jang et al.	361/715	2006/0282553	A1 *	12/2006	Miller et al.	710/11
7,364,090	B2 *	4/2008	Cuellar et al.	235/492	2006/0288145	A1 *	12/2006	Chen	710/301
7,367,817	B1 *	5/2008	Liu et al.	439/76.1	2006/0288146	A1 *	12/2006	Chen	710/301
7,407,390	B1 *	8/2008	Ni	439/76.1	2007/0026740	A1 *	2/2007	Chen	439/630
7,409,225	B2 *	8/2008	Kim et al.	455/558	2007/0126099	A1 *	6/2007	Aoki et al.	257/679
7,410,376	B2 *	8/2008	Ying et al.	439/159	2007/0228536	A1 *	10/2007	Aoki	257/678
7,427,032	B2 *	9/2008	Osako et al.	235/492	2009/0061688	A1 *	3/2009	Aoki et al.	439/628
7,433,196	B1 *	10/2008	Wang et al.	361/752	2011/0157838	A1 *	6/2011	Morita et al.	361/737
D581,932	S *	12/2008	Nishizawa et al.	D14/436	2011/0182037	A1 *	7/2011	Katsumura	361/728
7,486,520	B2 *	2/2009	Tang et al.	361/729					

* cited by examiner

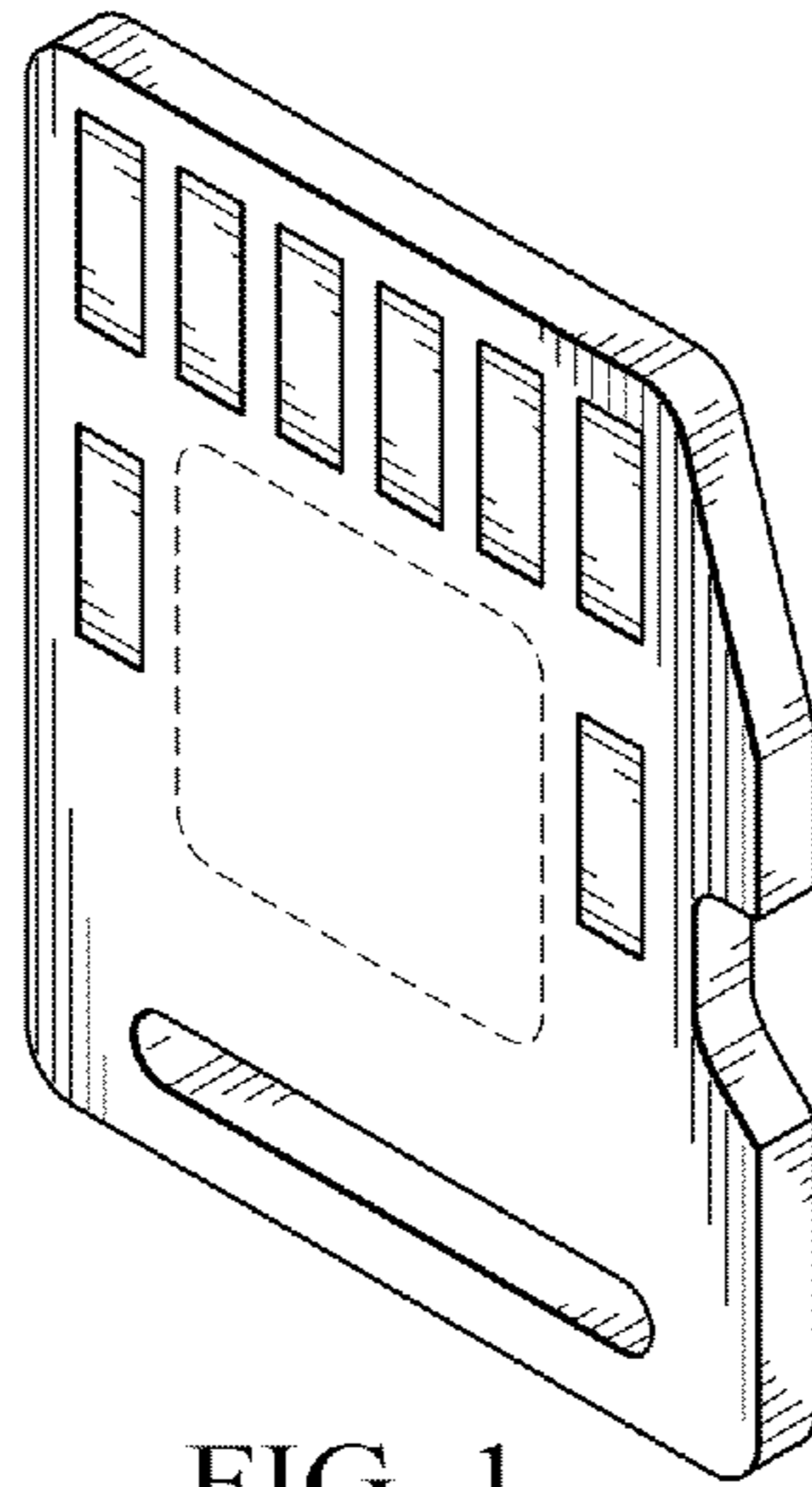


FIG. 1

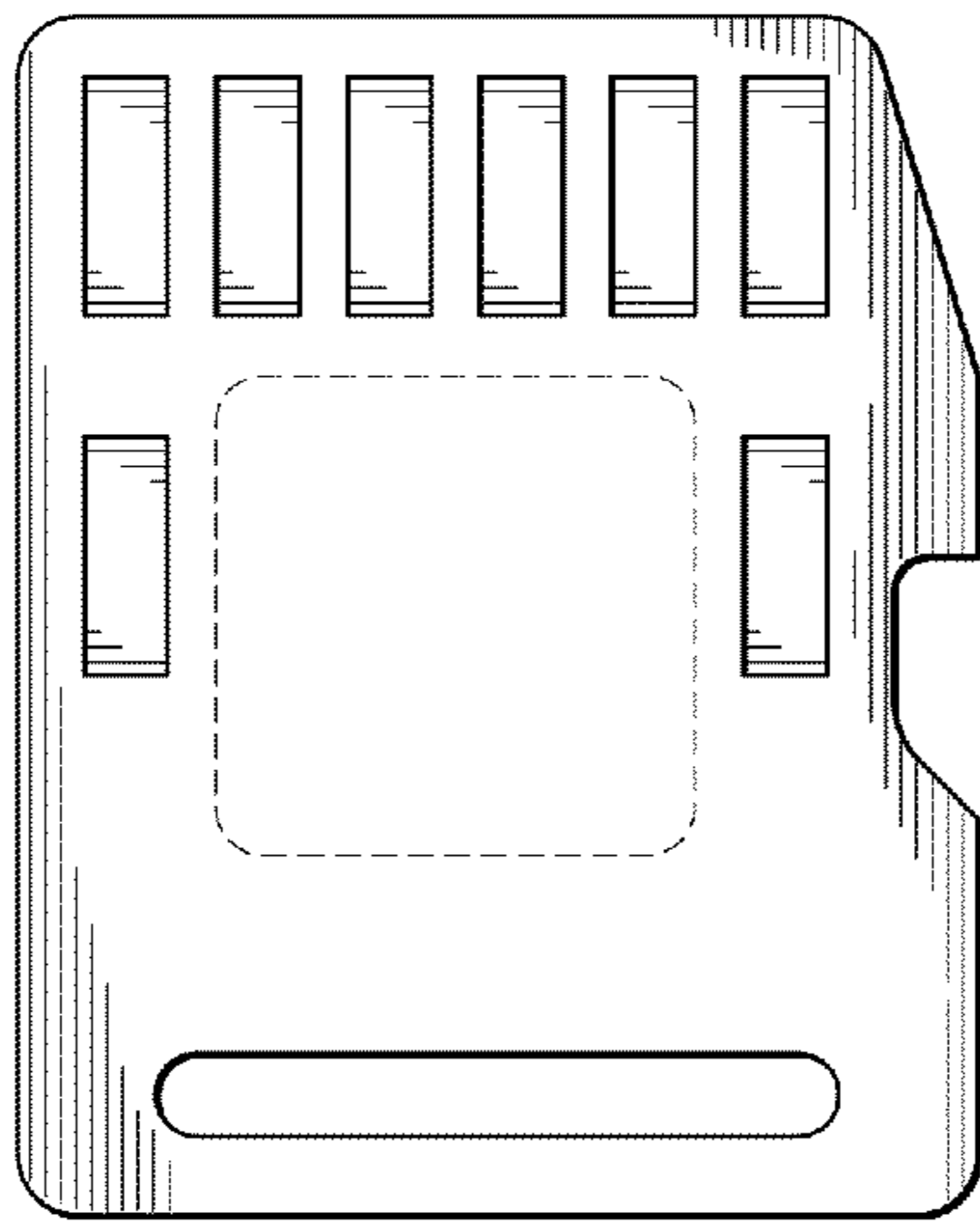


FIG. 2

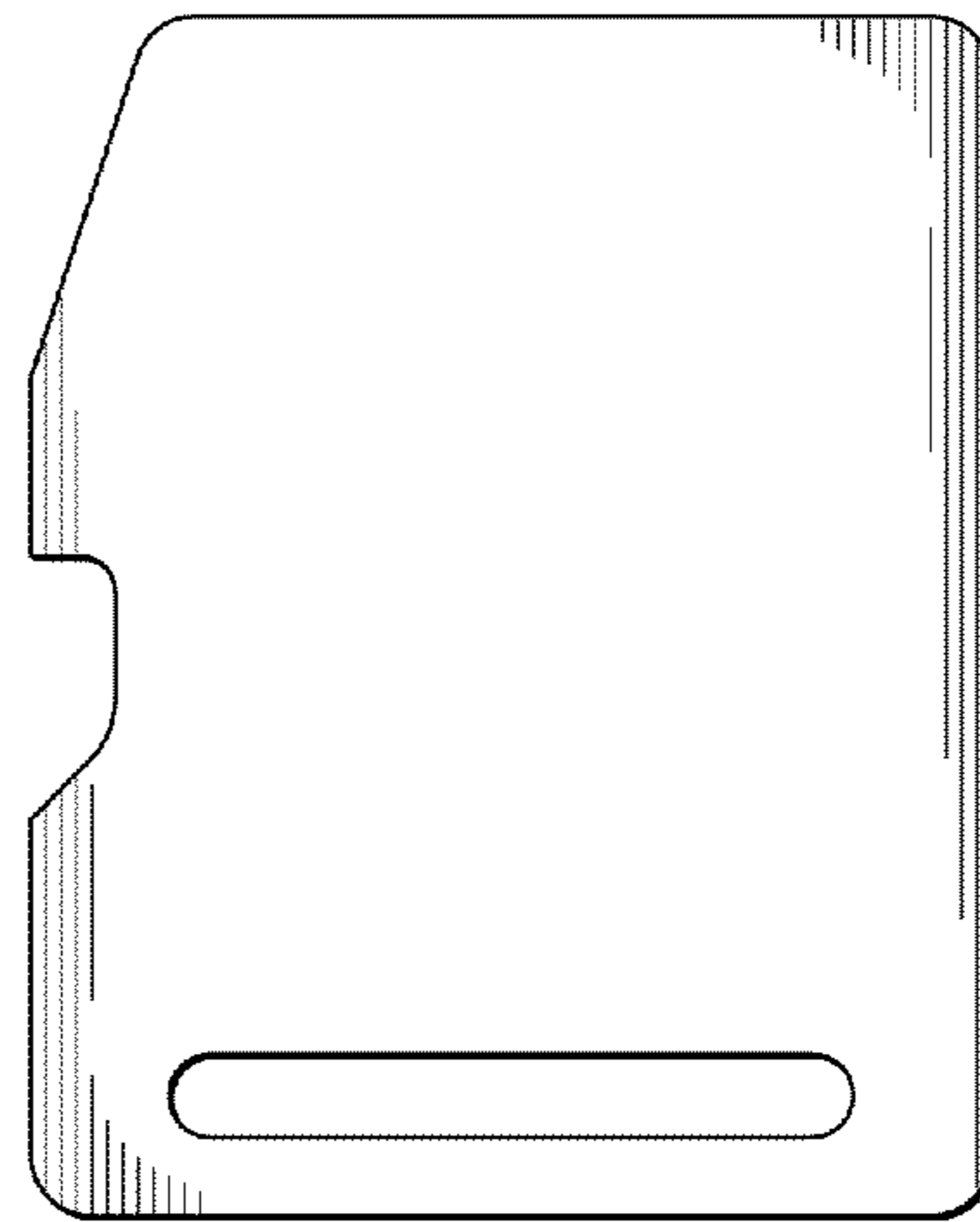


FIG. 3

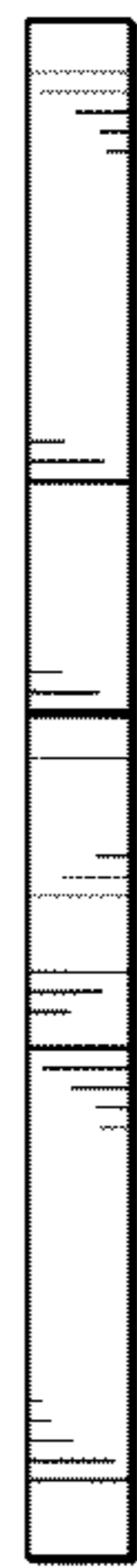


FIG. 4



FIG. 5

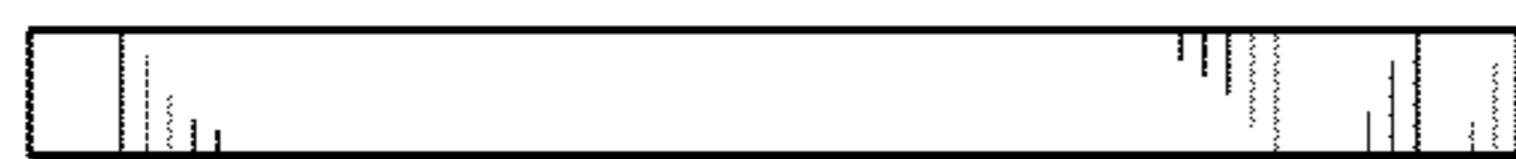


FIG. 6

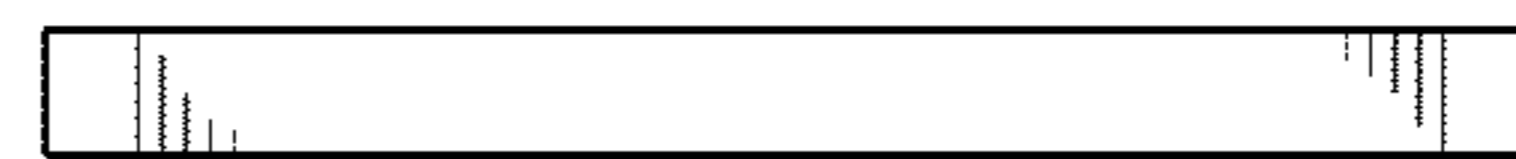


FIG. 7