



US00D669477S

(12) **United States Design Patent**
Akana et al.

(10) **Patent No.:** **US D669,477 S**
(45) **Date of Patent:** **** Oct. 23, 2012**

(54) **DOCKING STATION**

(75) Inventors: **Jody Akana**, San Francisco, CA (US);
Bartley K. Andre, Menlo Park, CA (US); **Jeremy Bataillou**, San Francisco, CA (US); **Daniel J. Coster**, San Francisco, CA (US); **Daniele De Iuliis**, San Francisco, CA (US); **Evans Hankey**, San Francisco, CA (US); **Richard P. Howarth**, San Francisco, CA (US); **Jonathan P. Ive**, San Francisco, CA (US); **Duncan Robert Kerr**, San Francisco, CA (US); **Shin Nishibori**, Kailua, HI (US); **Matthew Dean Rohrbach**, San Francisco, CA (US); **Peter Russell-Clarke**, San Francisco, CA (US); **Christopher J. Stringer**, Woodside, CA (US); **Eugene Antony Whang**, San Francisco, CA (US); **Rico Zorkendorfer**, San Francisco, CA (US)

(73) Assignee: **Apple Inc.**, Cupertino, CA (US)

(**) Term: **14 Years**

(21) Appl. No.: **29/417,701**

(22) Filed: **Apr. 6, 2012**

Related U.S. Application Data

(63) Continuation of application No. 29/404,658, filed on Oct. 24, 2011, now Pat. No. Des. 659,143, which is a continuation of application No. 29/353,323, filed on Jan. 6, 2010, now Pat. No. Des. 648,725.

(51) **LOC (9) Cl.** **14-02**

(52) **U.S. Cl.** **D14/434; D14/391; D14/455**

(58) **Field of Classification Search** D14/391-399, D14/385, 434, 455, 217; D18/1, 2, 7, 11; 178/17 A, 17 C; 200/5 A, 5 R, 6 A, 6 R; 235/145 A, 145 R; 345/160, 168, 169; 341/20, 341/22, 23; 400/484-489, 492, 472; 361/679.08, 361/679.09, 679.4, 679.41, 679.31, 679.32, 361/679.43, 679.55; D13/107, 108

See application file for complete search history.

(56) **References Cited**

U.S. PATENT DOCUMENTS

5,085,394 A 2/1992 Torii
5,128,662 A * 7/1992 Failla 345/1.3
6,108,200 A * 8/2000 Fullerton 361/679.12

(Continued)

FOREIGN PATENT DOCUMENTS

KR 300348033001 6/2004

OTHER PUBLICATIONS

Images of Sony X505 Keyboard, available at least as early as May 8, 2005. 4 pages.

(Continued)

Primary Examiner — Freda S Nunn

(74) *Attorney, Agent, or Firm* — Sterne, Kessler, Goldstein & Fox P.L.L.C.

(57) **CLAIM**

The ornamental design for a docking station, as shown and described.

DESCRIPTION

FIG. 1 is a top front perspective view of a docking station showing our new design;

FIG. 2 is a bottom front perspective view thereof;

FIG. 3 is a top rear perspective view thereof;

FIG. 4 is a bottom rear perspective view thereof

FIG. 5 is a top plan view thereof;

FIG. 6 is a bottom plan view thereof;

FIG. 7 is a front view thereof;

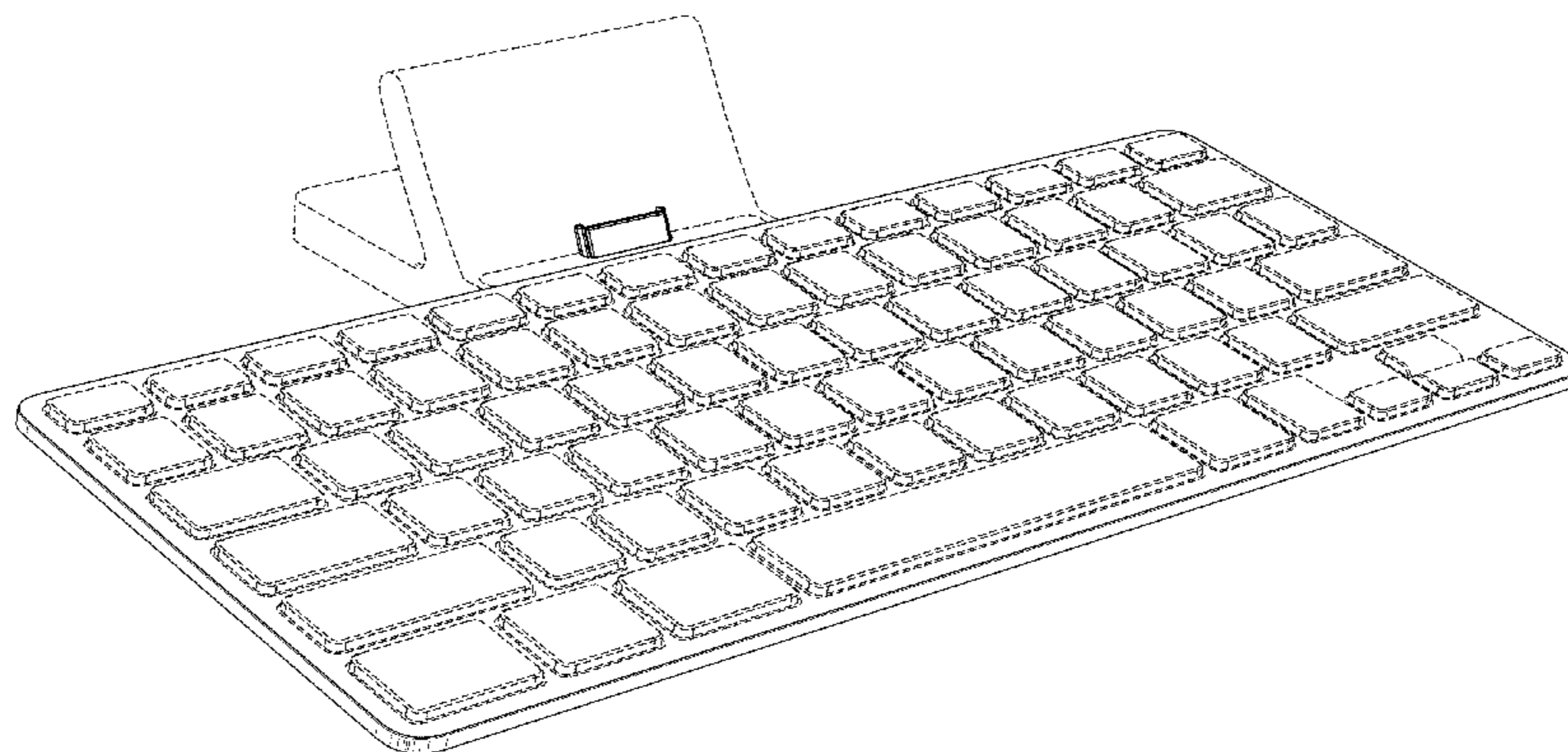
FIG. 8 is rear view thereof;

FIG. 9 is a side view thereof; and,

FIG. 10 is another side view thereof.

The shade lines in the Figures show contour and not surface ornamentation. The broken lines in the figures show portions of the docking station which form no part of the claimed design.

1 Claim, 8 Drawing Sheets



US D669,477 S

Page 2

U.S. PATENT DOCUMENTS

6,657,853 B2 * 12/2003 Oba et al. 312/223.2
D486,488 S * 2/2004 Olodort et al. D14/396
6,856,507 B2 * 2/2005 Chen et al. 361/679.09
6,992,882 B2 * 1/2006 Wang 361/679.57
6,999,008 B2 * 2/2006 Wang et al. 341/22
7,068,496 B2 * 6/2006 Wong et al. 361/679.28
D545,821 S * 7/2007 Eroma et al. D14/393
D553,106 S 10/2007 Griffin
D579,917 S 11/2008 Marchand et al.
D598,451 S 8/2009 Andre et al.
D599,792 S * 9/2009 Lin D14/331
D604,300 S 11/2009 Andre et al.

D612,843 S 3/2010 Andre et al.
D628,562 S 12/2010 Akana et al.
D642,121 S 7/2011 Lee et al.
D642,519 S 8/2011 Woo et al.
D648,725 S * 11/2011 Akana et al. D14/434
D659,143 S * 5/2012 Akana et al. D14/434

OTHER PUBLICATIONS

Images of Sony VAIO PCG-4G1L, available at least as early as May 8, 2006. 8 pages.

* cited by examiner

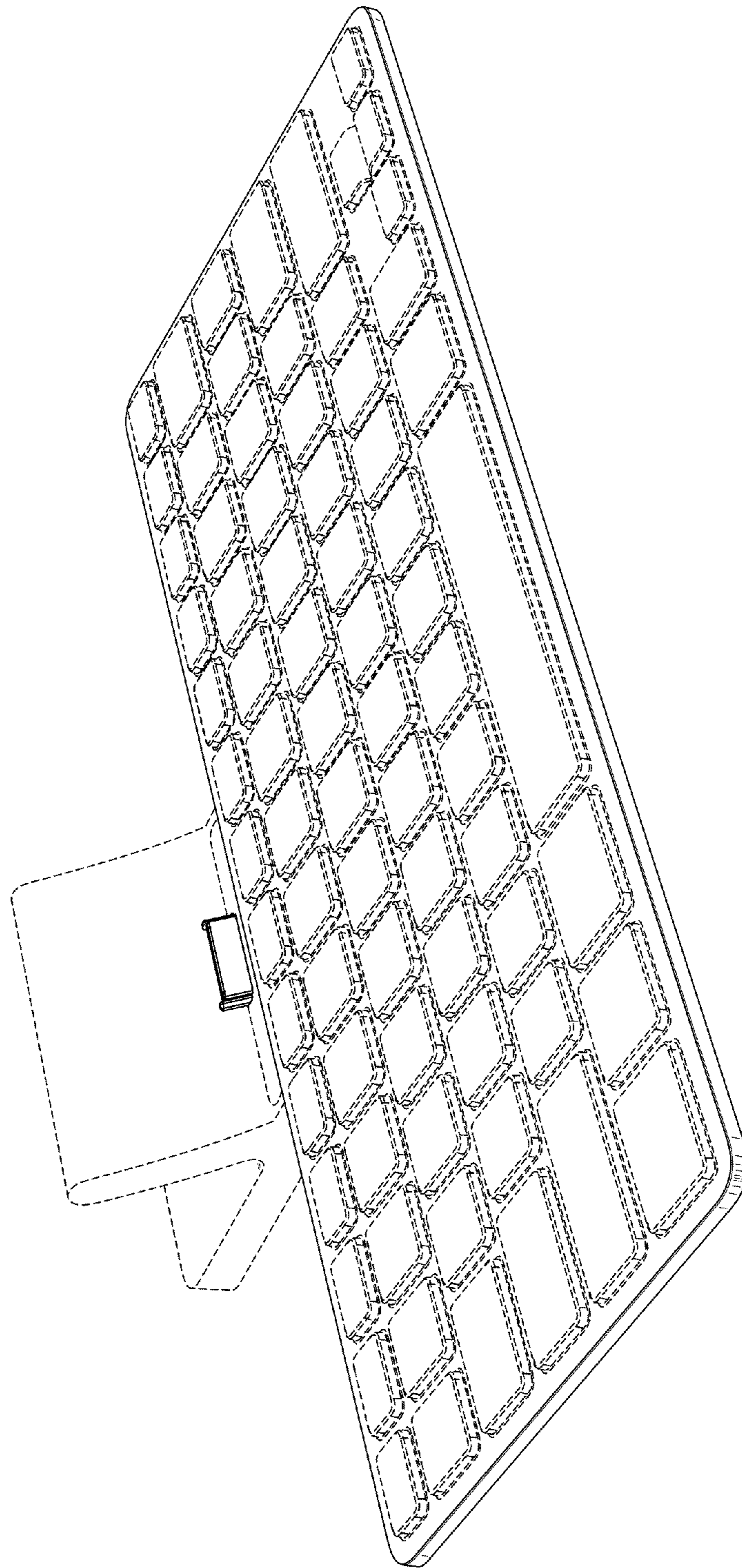


FIG. 1

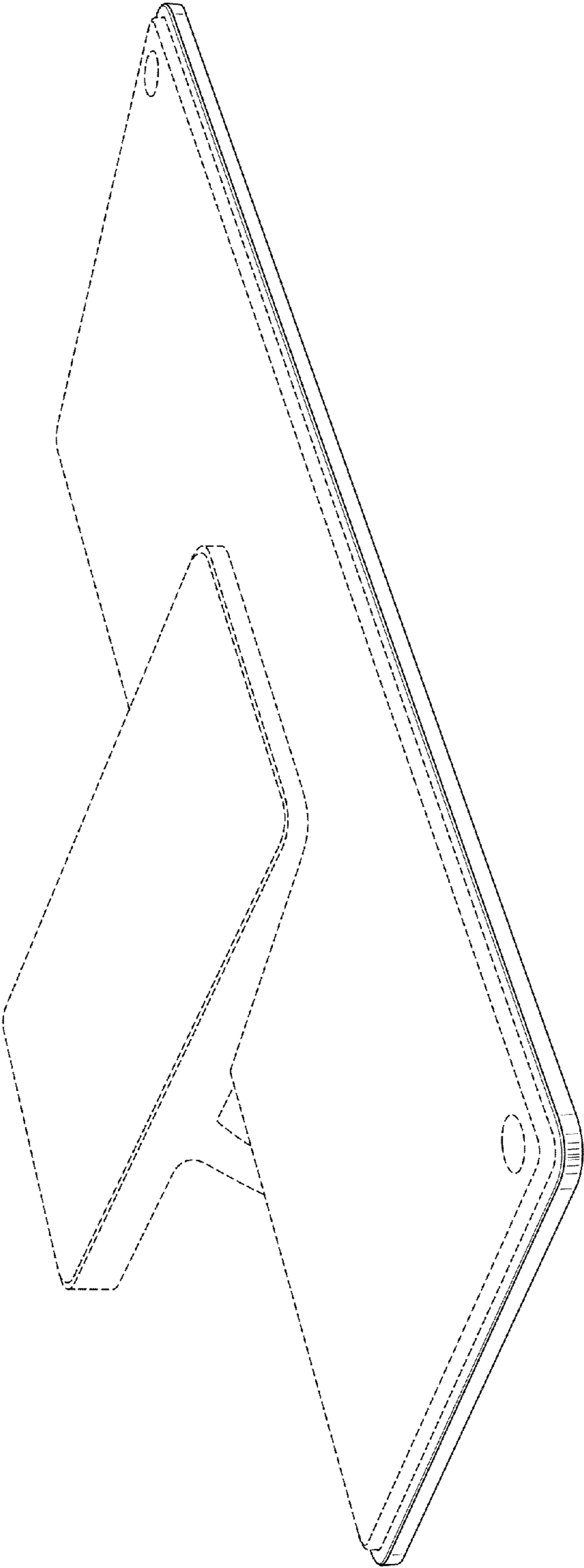


FIG. 2

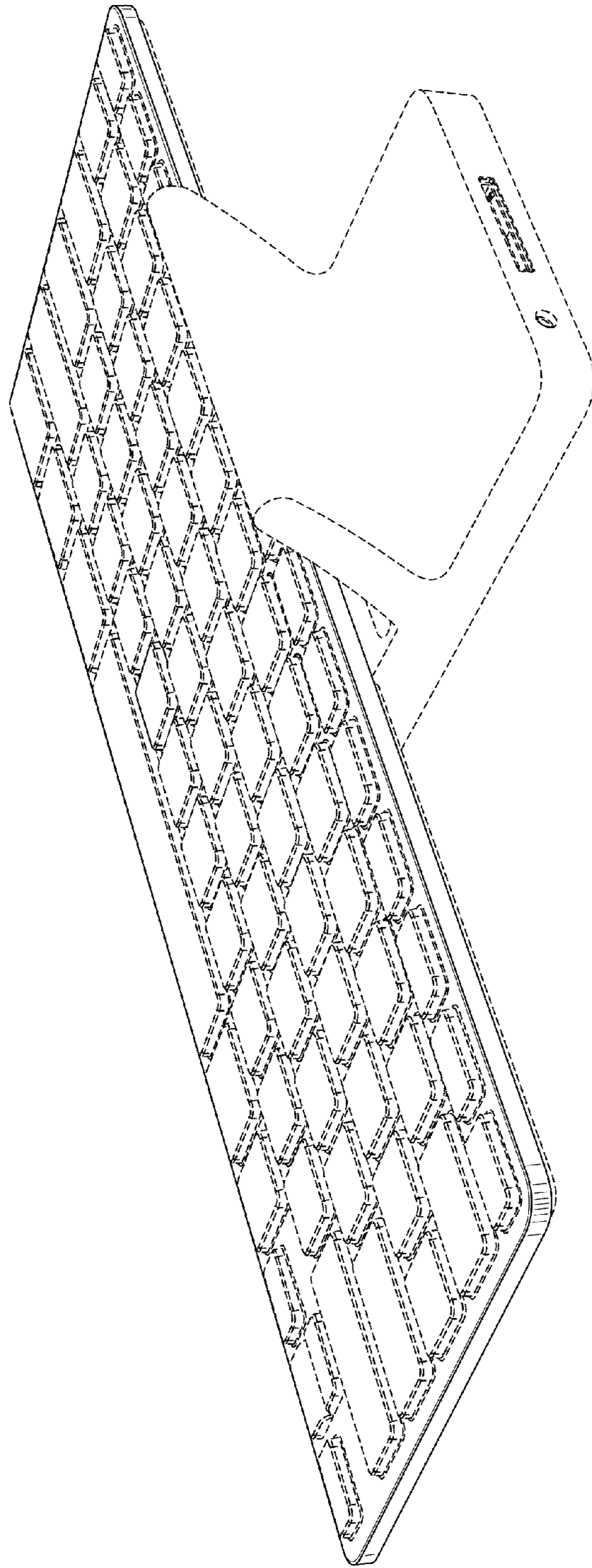


FIG. 3

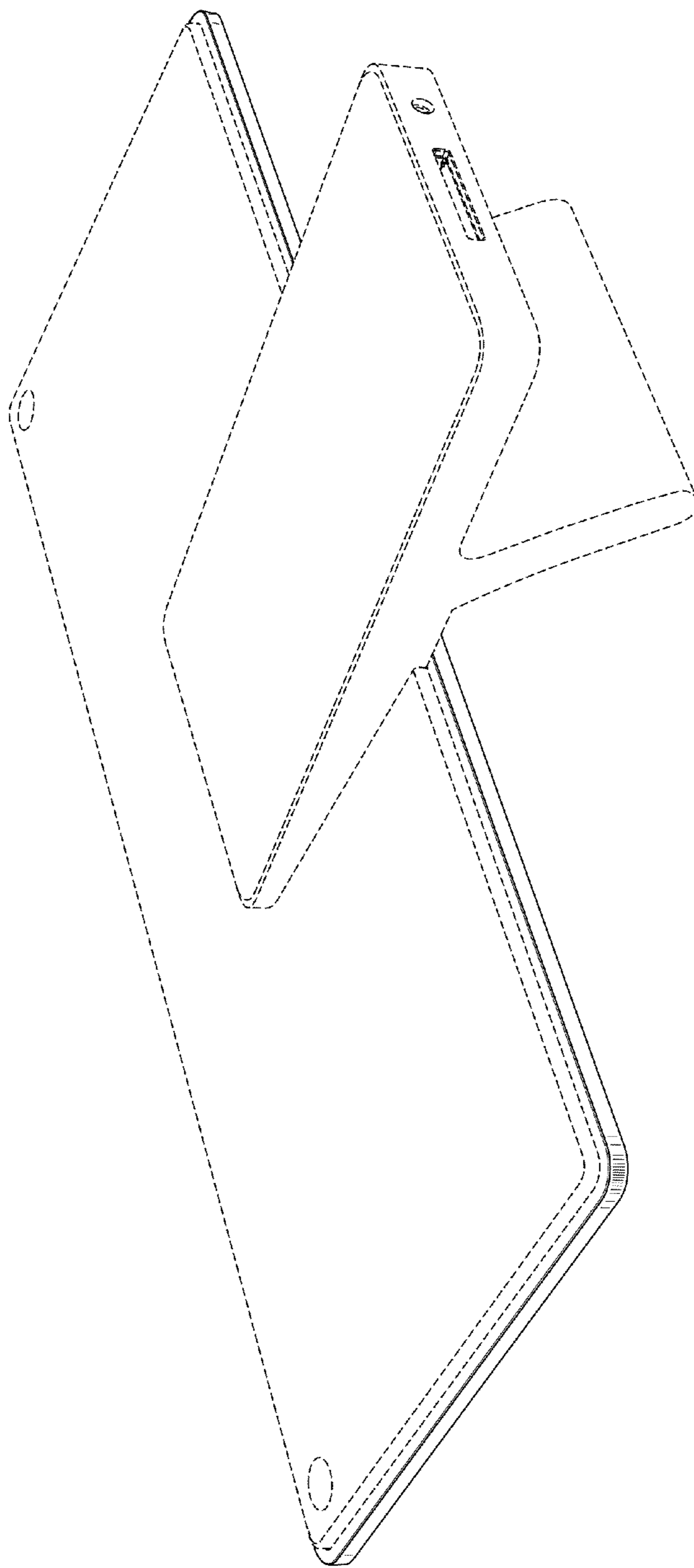


FIG. 4

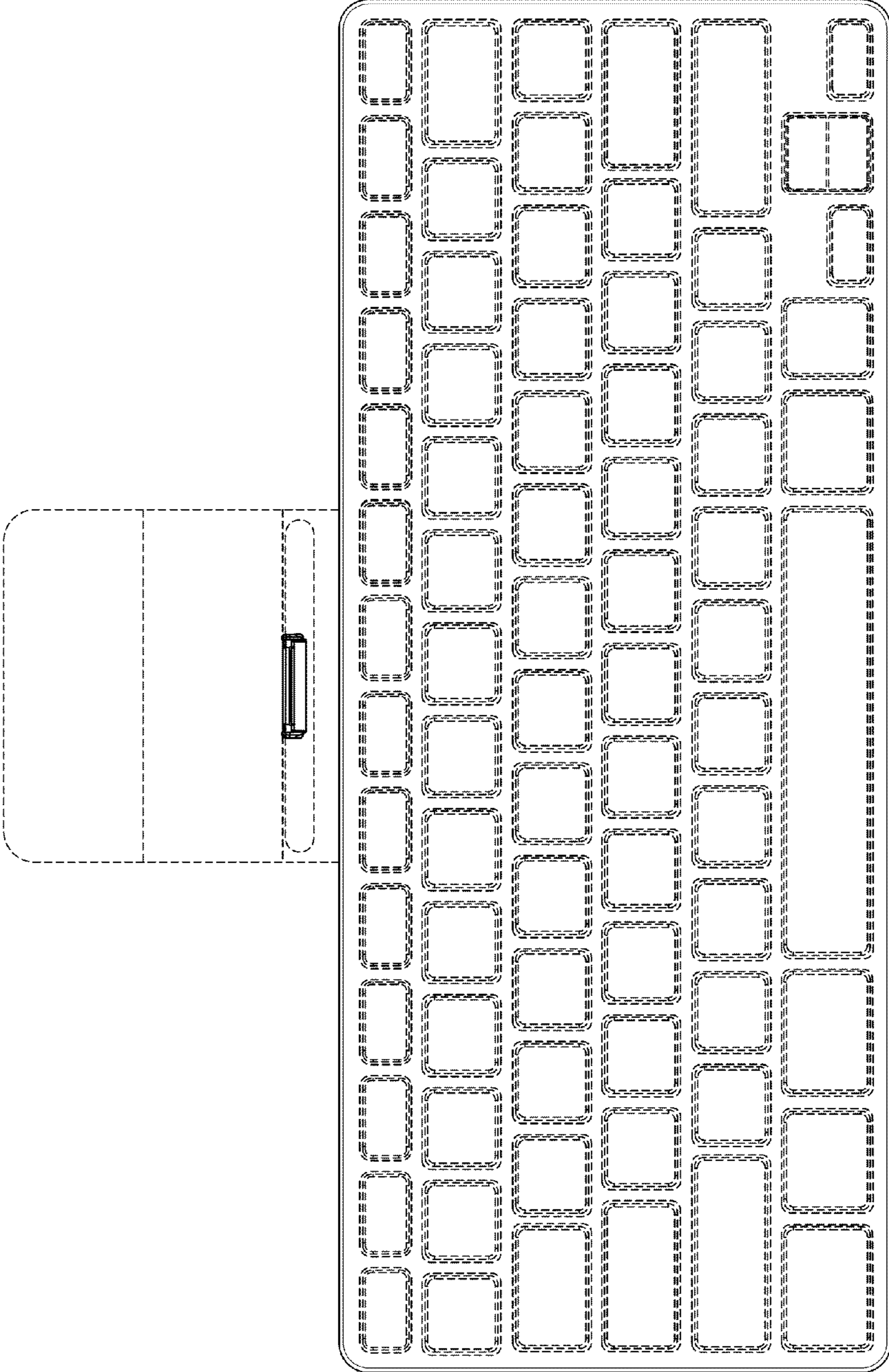


FIG. 5

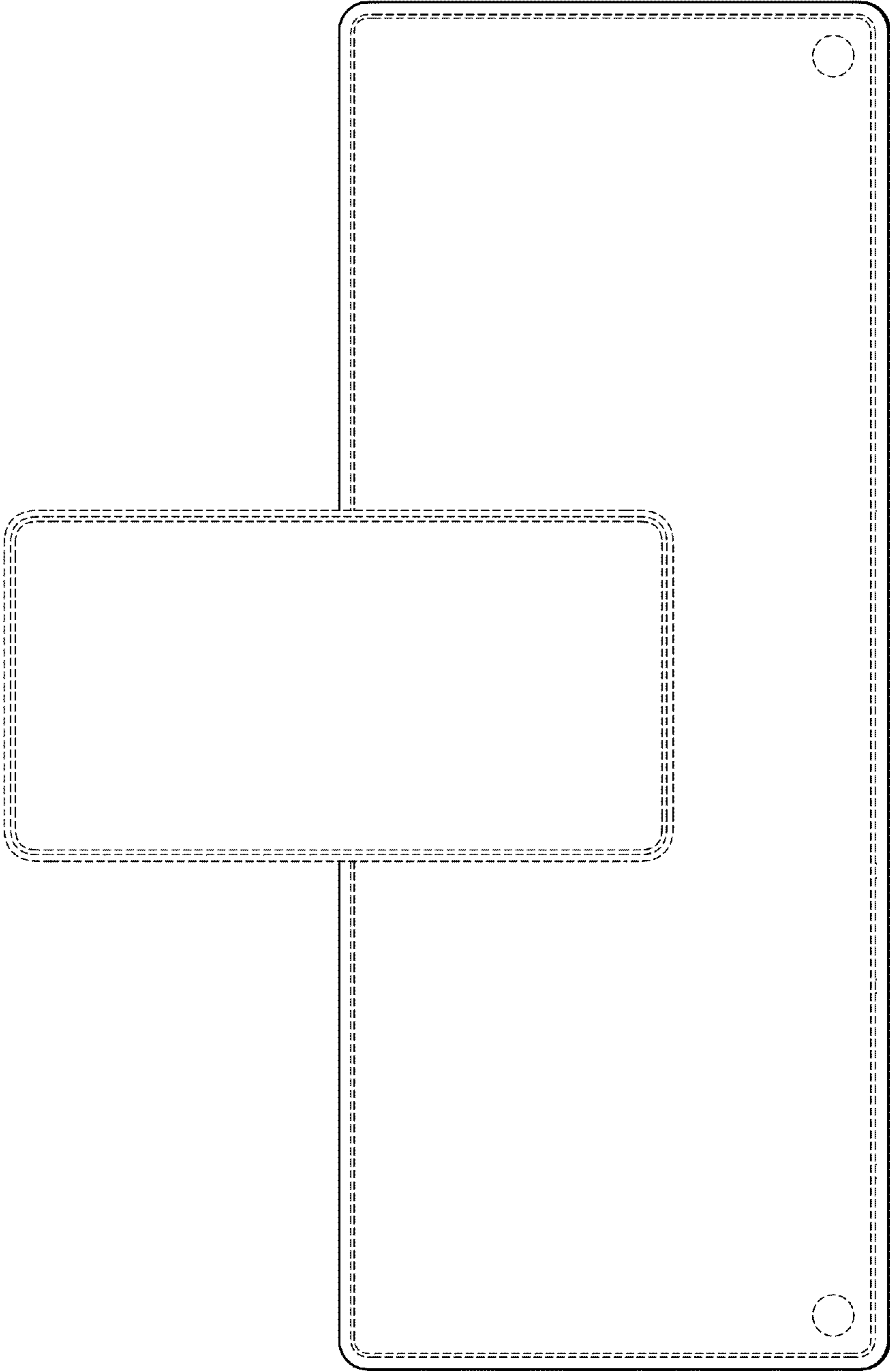


FIG. 6

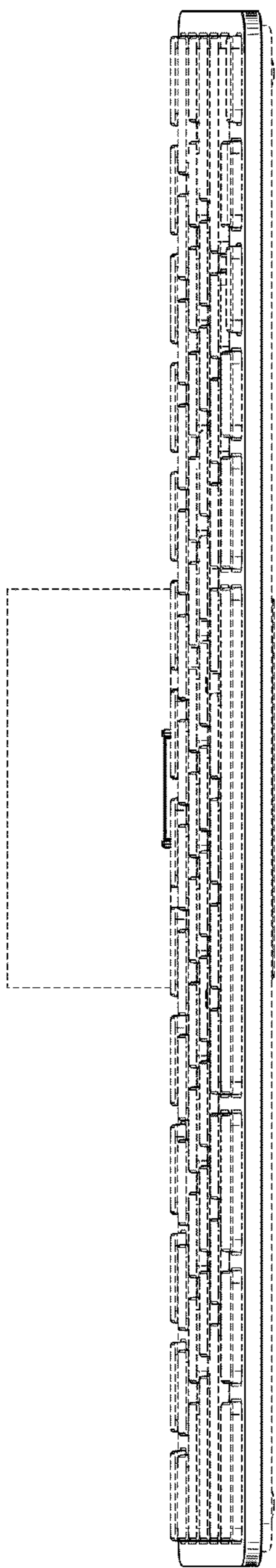


FIG. 7

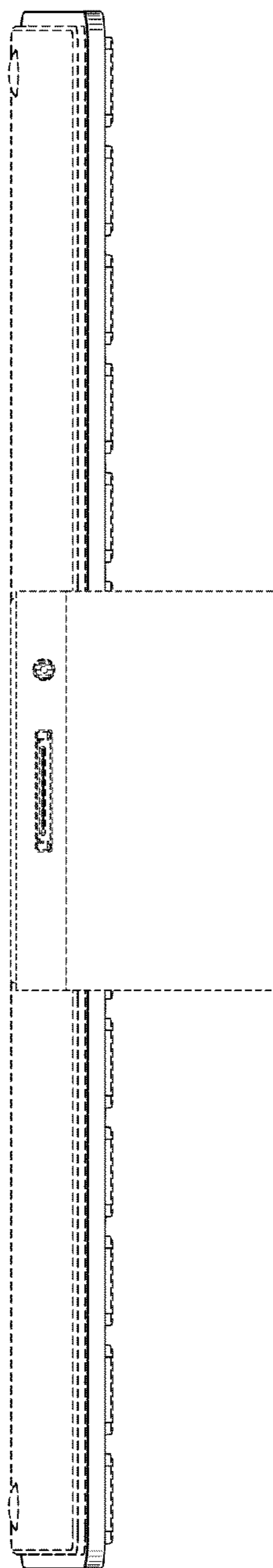


FIG. 8

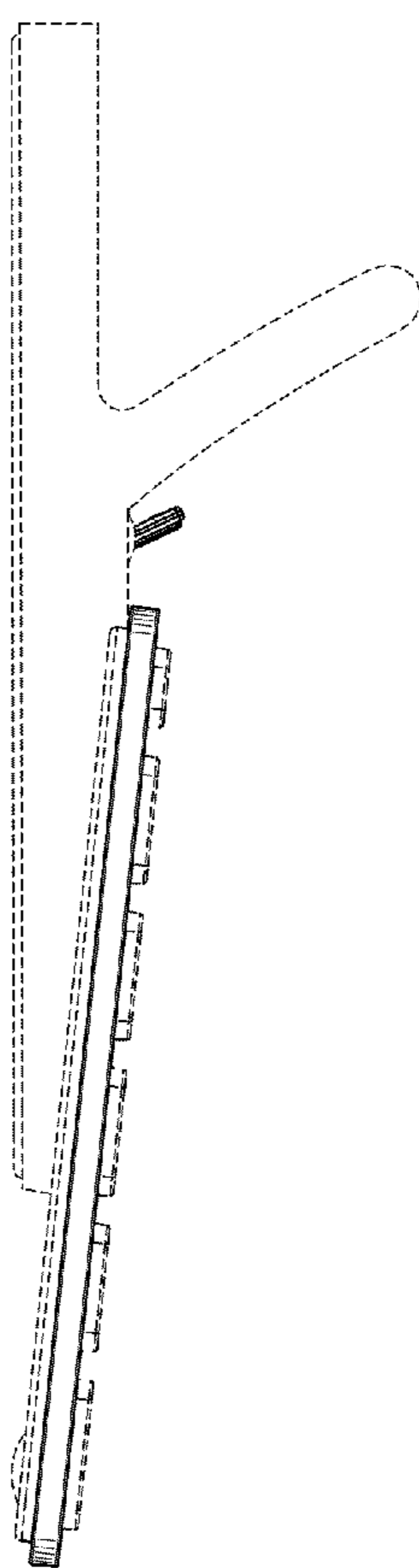


FIG. 9

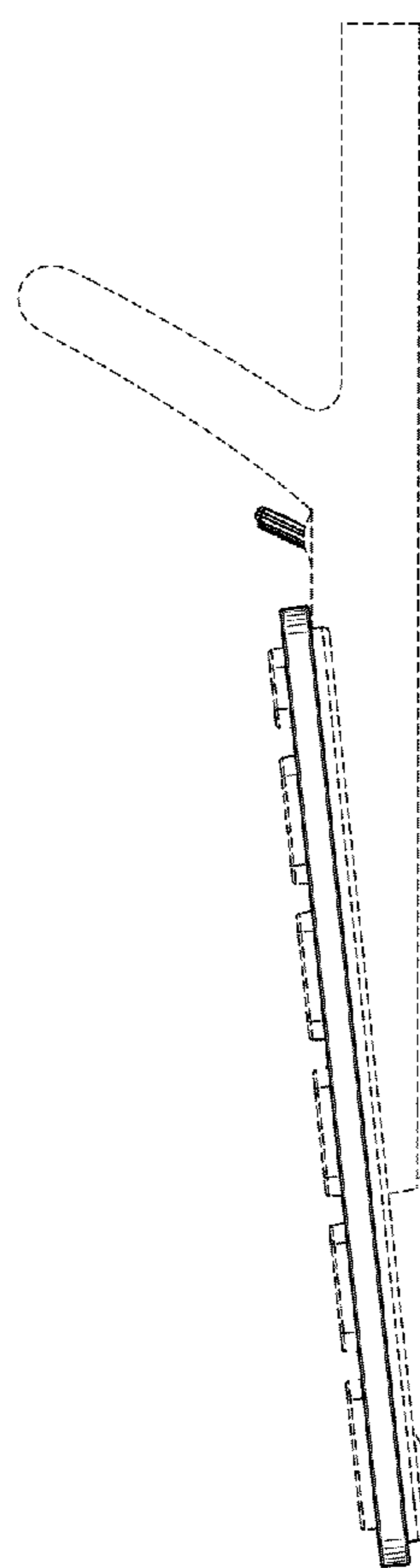


FIG. 10