



US00D669473S

(12) **United States Design Patent**
Gronau et al.

(10) **Patent No.:** **US D669,473 S**

(45) **Date of Patent:** **** Oct. 23, 2012**

(54) **PORTABLE CHIP READER**

(75) Inventors: **Gregory Gronau**, Las Vegas, NV (US);
Justin Woodard, Las Vegas, NV (US);
Emmanuel Gelinotte, Savigny les
Beaune (FR); **Francisco Javier Moreno**,
Yuma, AZ (US)

(73) Assignee: **Gaming Partners International USA,**
Inc., Las Vegas, NV (US)

(**) Term: **14 Years**

(21) Appl. No.: **29/379,045**

(22) Filed: **Nov. 12, 2010**

(51) **LOC (9) Cl.** **14-02**

(52) **U.S. Cl.** **D14/420**

(58) **Field of Classification Search** D14/420,
D14/426-428, 447, 453, 385, 363, 358, 240,
D14/356, 362, 365, 370, 383, 388, 432, 433,
D14/435, 439, 442, 443; D18/4.6; D13/158,
D13/162, 171, 147, 164; 235/440, 462.13,
235/439, 492, 380, 375, 486, 382, 451, 487,
235/381, 441, 472.01-472.03, 462.45, 462.47,
235/462.43; 340/572.7, 573.3, 572.8, 572.1,
340/572.4, 10.1, 5.86, 10.51; 455/41.1; 700/225;
710/2, 301, 64; 336/221, 232; 439/159;
361/752, 679.31, 679.32, 679.38, 679.45,
361/800; 358/473; 379/436, 438; 312/223.1;
D3/282, 905, 294, 276; 380/270; 713/168

See application file for complete search history.

(56) **References Cited**

U.S. PATENT DOCUMENTS

D202,620 S	*	10/1965	Ekers	D14/385
D204,940 S	*	5/1966	Loose	D14/385
3,415,407 A	*	12/1968	Alden et al.	220/4.23
D218,267 S	*	8/1970	Belokin	D3/282
3,524,564 A	*	8/1970	Schurman	220/324
D221,317 S	*	7/1971	Muller	D3/282
4,494,651 A	*	1/1985	Malcolm	206/719

4,837,590 A	*	6/1989	Sprague	346/145
D304,309 S	*	10/1989	Vories	D10/106.1
4,962,854 A	*	10/1990	Ricci	206/387.1
5,081,936 A	*	1/1992	Drieling	108/43
D332,443 S	*	1/1993	Sharpe	D13/184
D339,807 S	*	9/1993	Tattari et al.	D14/240
D349,687 S	*	8/1994	Khoo et al.	D13/162
D350,544 S	*	9/1994	Sakuta et al.	D14/240
D351,144 S	*	10/1994	Fishbine et al.	D14/384
D356,550 S	*	3/1995	Mizusugi et al.	D14/341
D359,951 S	*	7/1995	Nair et al.	D14/387
D364,391 S	*	11/1995	Drugge	D14/345
5,473,144 A	*	12/1995	Mathurin, Jr.	235/380
D367,270 S	*	2/1996	Levering	D14/384

(Continued)

Primary Examiner — Susan Moon Lee

(74) *Attorney, Agent, or Firm* — Gordon Silver Ltd.; Ronald
Gorsché

(57) **CLAIM**

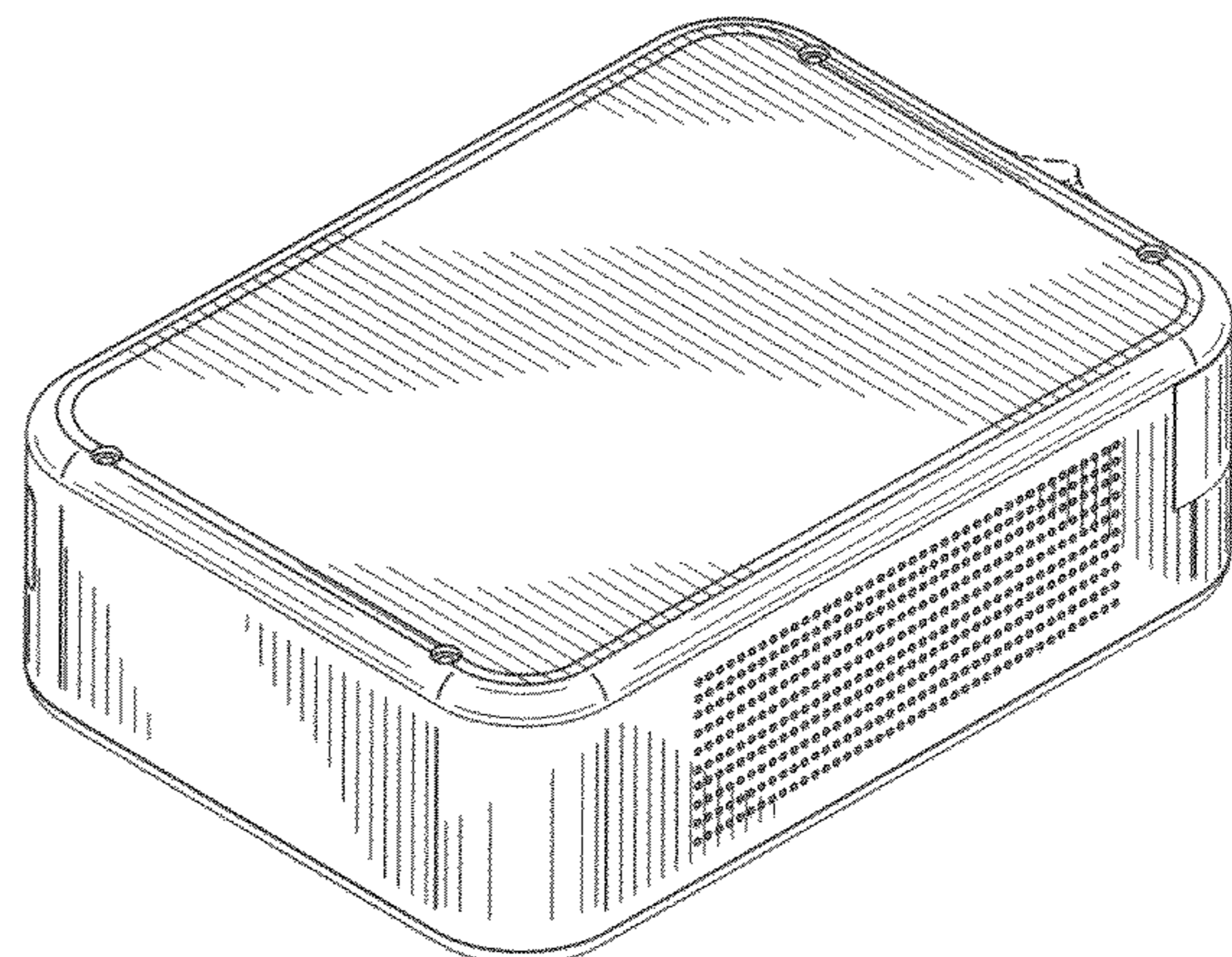
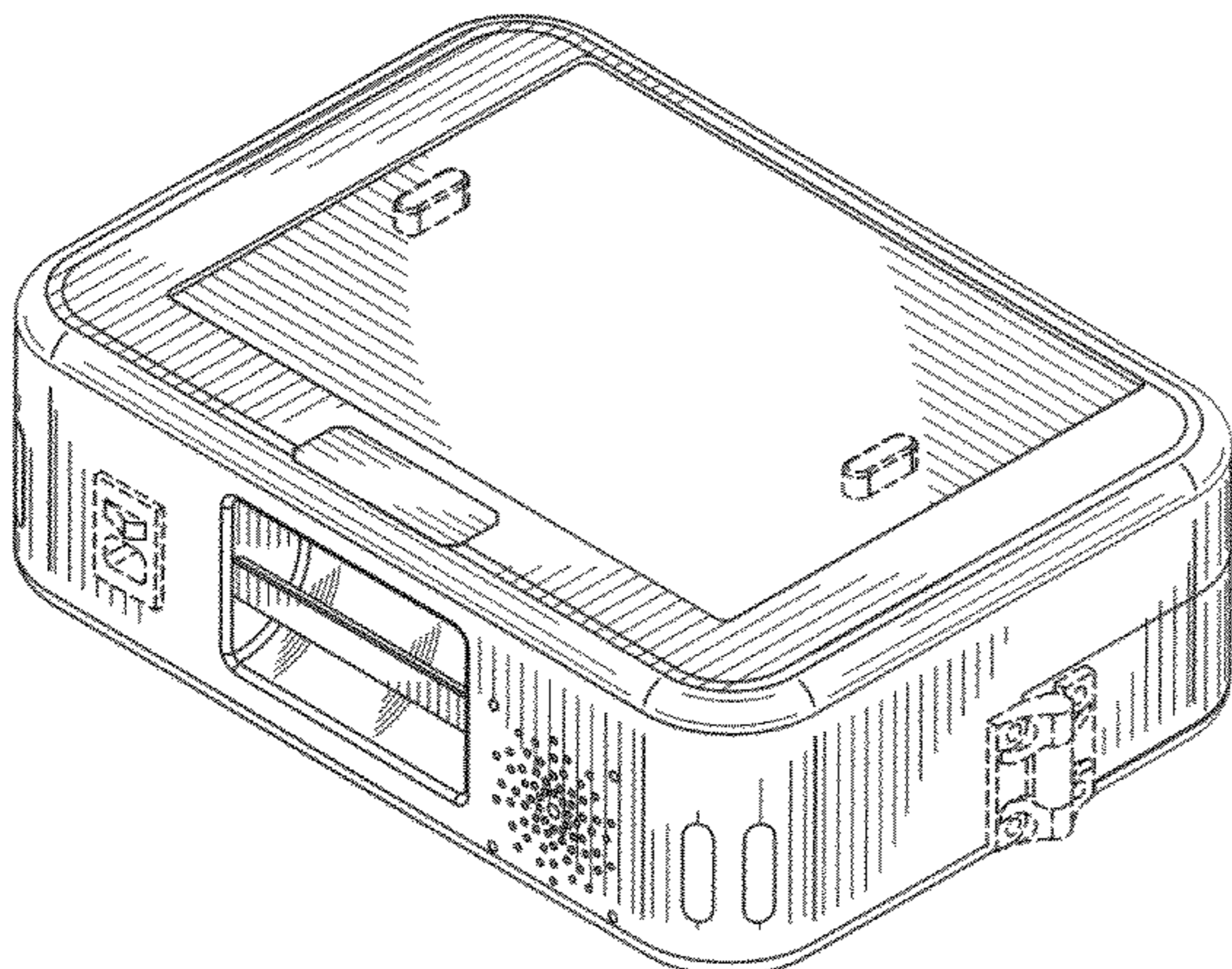
The ornamental design for a portable chip reader, as shown
and described.

DESCRIPTION

FIG. 1 is a top perspective view of a portable chip reader showing my new ornamental design;
FIG. 2 is a bottom perspective view of the portable chip reader shown in FIG. 1;
FIG. 3 is a top view of the portable chip reader shown in FIG. 1;
FIG. 4 is bottom view of the portable chip reader shown in FIG. 1;
FIG. 5 is a front view of the portable chip reader shown in FIG. 1;
FIG. 6 is a rear view of the portable chip reader shown in FIG. 1;
FIG. 7 is a right side view of the portable chip reader shown in FIG. 1; and,
FIG. 8 is a left side view of the portable chip reader shown in FIG. 1.

The portions shown in broken line are not claimed.

1 Claim, 6 Drawing Sheets



US D669,473 S

Page 2

U.S. PATENT DOCUMENTS

D368,371	S *	4/1996	Calmeise	D3/282
D374,771	S *	10/1996	Guegan et al.	D3/276
D377,645	S *	1/1997	Iwamoto et al.	D14/385
5,860,550	A *	1/1999	Miller et al.	220/4.23
D405,424	S *	2/1999	Winkler et al.	D13/168
D405,766	S *	2/1999	Hartel et al.	D13/184
5,877,896	A *	3/1999	Gremban	359/601
D417,442	S *	12/1999	Butts et al.	D14/385
6,070,754	A *	6/2000	Newby, Sr.	220/675
6,109,434	A *	8/2000	Howard, Jr.	206/320
D431,485	S *	10/2000	Huang	D14/357
D431,902	S *	10/2000	Mellin	D3/203.1
D432,082	S *	10/2000	Chang	D13/123
D439,408	S *	3/2001	Gibson et al.	D3/282
D440,043	S *	4/2001	Miller et al.	D3/282
6,267,238	B1 *	7/2001	Miller et al.	206/349
D454,873	S *	3/2002	Clark et al.	D14/358
D455,263	S *	4/2002	Schoen et al.	D3/282
6,415,924	B1 *	7/2002	Lee	206/459.5
D467,414	S *	12/2002	Pavlu et al.	D3/203.1
6,510,226	B1 *	1/2003	Thomann et al.	379/413.04
D470,498	S *	2/2003	Argumedo et al.	D14/435
D471,360	S *	3/2003	Huang	D3/282
D472,555	S *	4/2003	Tomino	D14/433
D475,708	S *	6/2003	Bergstrom	D14/385
6,575,322	B1 *	6/2003	Brown, Jr.	220/4.22
D477,609	S *	7/2003	Heath et al.	D14/496
D478,911	S *	8/2003	Chen	D14/433
D479,823	S *	9/2003	Andre et al.	D13/110
D481,379	S *	10/2003	Nagai et al.	D14/240
D491,563	S *	6/2004	Sato et al.	D14/433
D496,585	S *	9/2004	McBride et al.	D9/423
D499,883	S *	12/2004	Perella et al.	D3/276
D505,549	S *	5/2005	Hosking	D14/509
D506,065	S *	6/2005	Sugino et al.	D3/294
D516,069	S *	2/2006	Kuroda et al.	D14/384
7,035,093	B2 *	4/2006	Imsand	361/679.55
D520,001	S *	5/2006	Katayama	D14/358
D527,182	S *	8/2006	Ham	D3/294
D529,716	S *	10/2006	Wang	D3/282
D530,315	S *	10/2006	Liu	D14/240
D541,273	S *	4/2007	Wang	D14/356
D547,175	S *	7/2007	Berg	D9/423
D549,508	S *	8/2007	Clark et al.	D7/304
7,267,246	B2 *	9/2007	Eiskant et al.	220/782
D568,046	S *	5/2008	Hsu	D3/282
D575,775	S *	8/2008	Sekine	D14/242
D579,195	S *	10/2008	Kagawa	D3/203.1
D580,931	S *	11/2008	Chang et al.	D14/356
D585,061	S *	1/2009	Han	D14/358
D585,733	S *	2/2009	Feibelman	D9/423
D592,667	S *	5/2009	Sheba	D14/435
7,562,219	B2 *	7/2009	Lazaridis et al.	713/168
D604,510	S *	11/2009	Cho	D3/282
7,661,534	B2 *	2/2010	Saclier et al.	206/535
D613,944	S *	4/2010	Molina	D3/294
D613,945	S *	4/2010	Molina	D3/294
D620,255	S *	7/2010	Chang	D3/282
D621,615	S *	8/2010	Stern	D3/282
D624,077	S *	9/2010	Maeda et al.	D14/385
D624,915	S *	10/2010	Ferreira Sanchez	D14/385
D633,712	S *	3/2011	Everette	D3/203.1
D636,996	S *	5/2011	Kokawa et al.	D3/282
D639,058	S *	6/2011	Chiu	D3/282
D639,059	S *	6/2011	Fraiman et al.	D3/282
D641,327	S *	7/2011	Falakfarsa et al.	D14/125
D643,427	S *	8/2011	McGoldrick et al.	D14/356
D643,682	S *	8/2011	Asthon	D7/397
D646,273	S *	10/2011	Daniel	D14/385
D646,683	S *	10/2011	Tao et al.	D14/433
D652,036	S *	1/2012	Huang	D14/358
D656,316	S *	3/2012	Horito et al.	D3/302
D657,953	S *	4/2012	Hasegawa et al.	D3/294
D658,377	S *	5/2012	Corwin et al.	D3/302
D659,396	S *	5/2012	Hsu	D3/294
2004/0206648	A1 *	10/2004	Lai	206/372
2006/0201833	A1 *	9/2006	Chen	206/349
2009/0276626	A1 *	11/2009	Lazaridis et al.	713/168
2010/0060420	A1 *	3/2010	Stagg	340/10.1
2010/0093428	A1 *	4/2010	Mattice et al.	463/25
2010/0176924	A1 *	7/2010	Seitz et al.	340/10.1
2012/0004851	A1 *	1/2012	Potyrailo et al.	702/19
2012/0105215	A1 *	5/2012	Gronau et al.	340/10.51

* cited by examiner

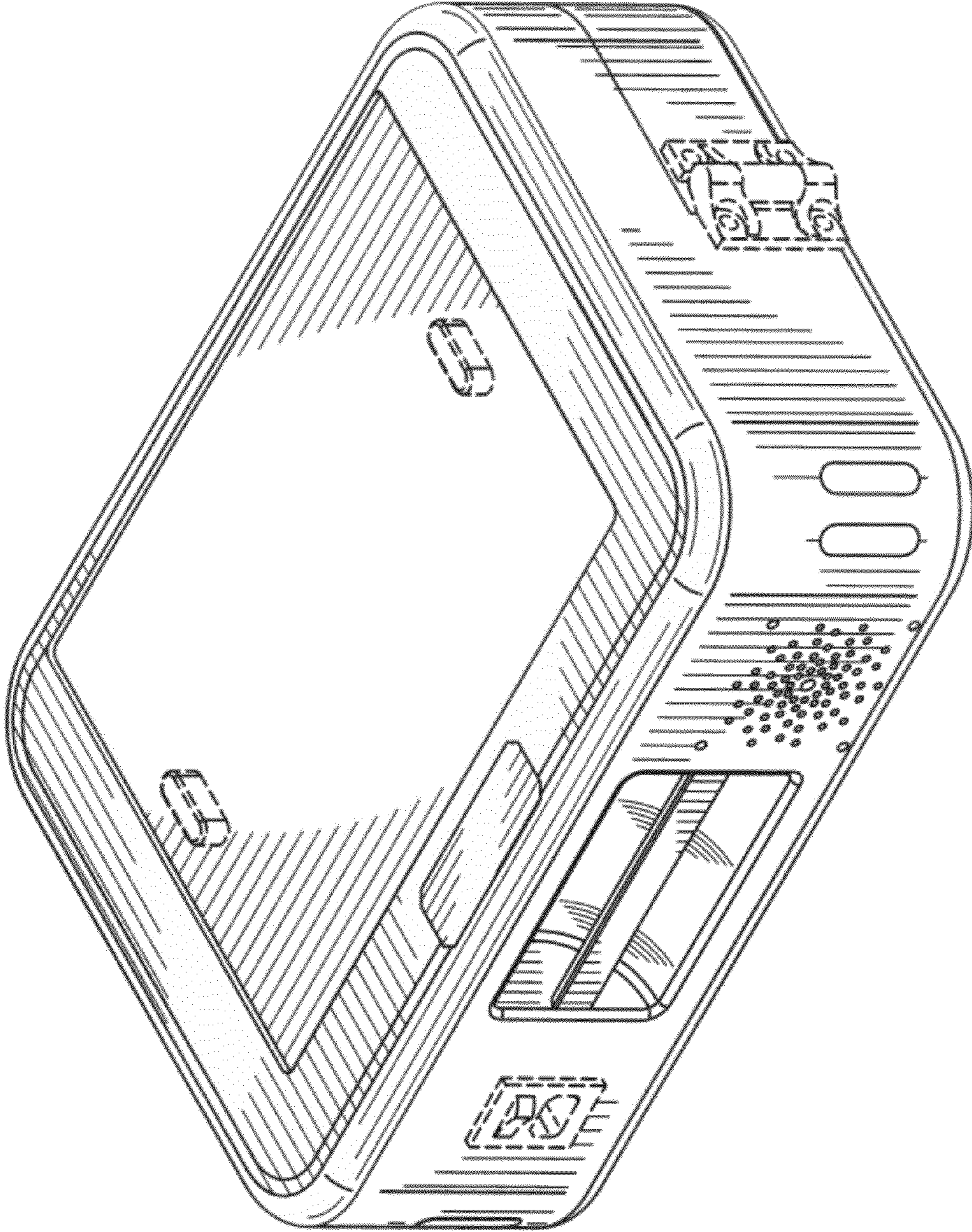


FIG. 1

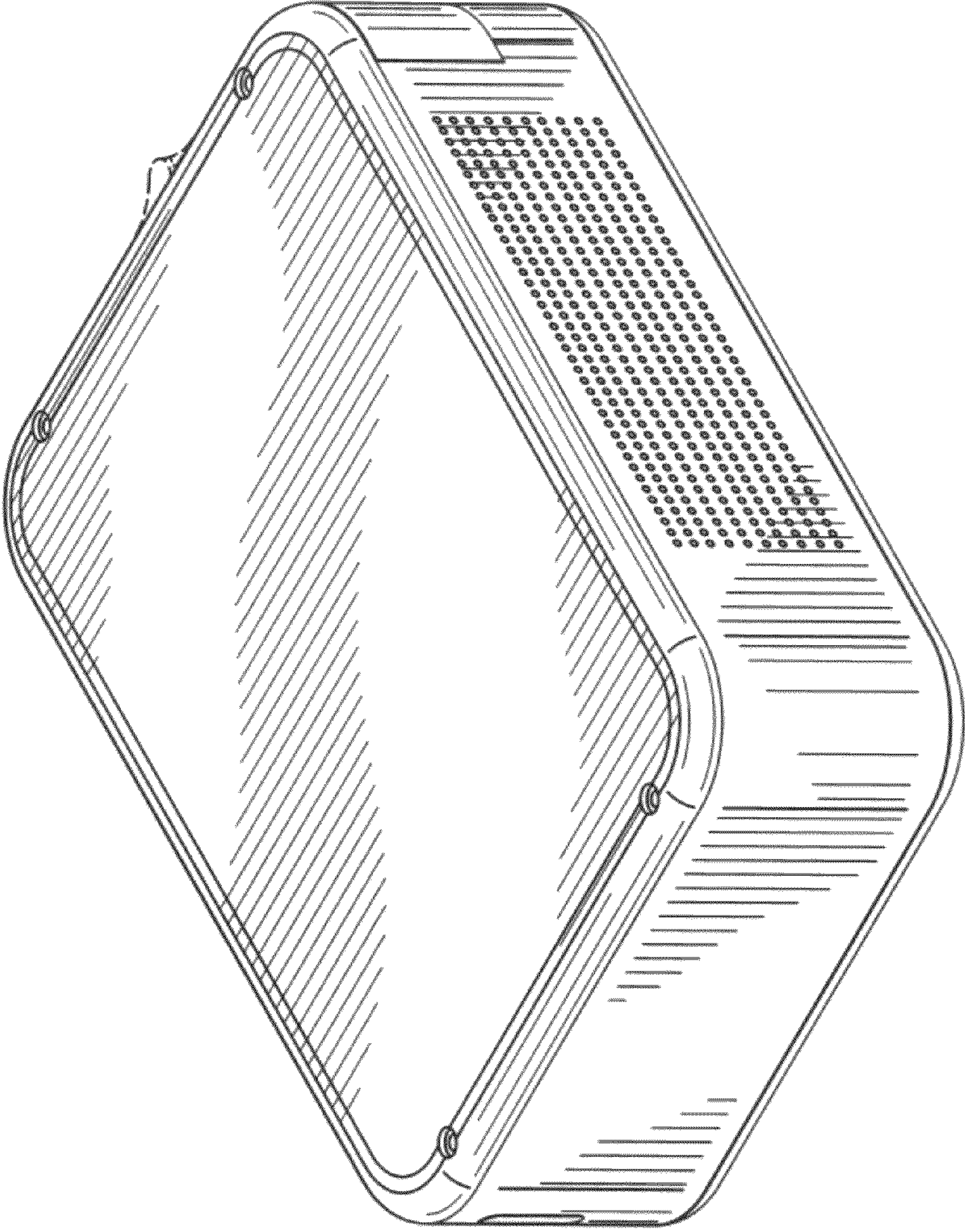


FIG. 2

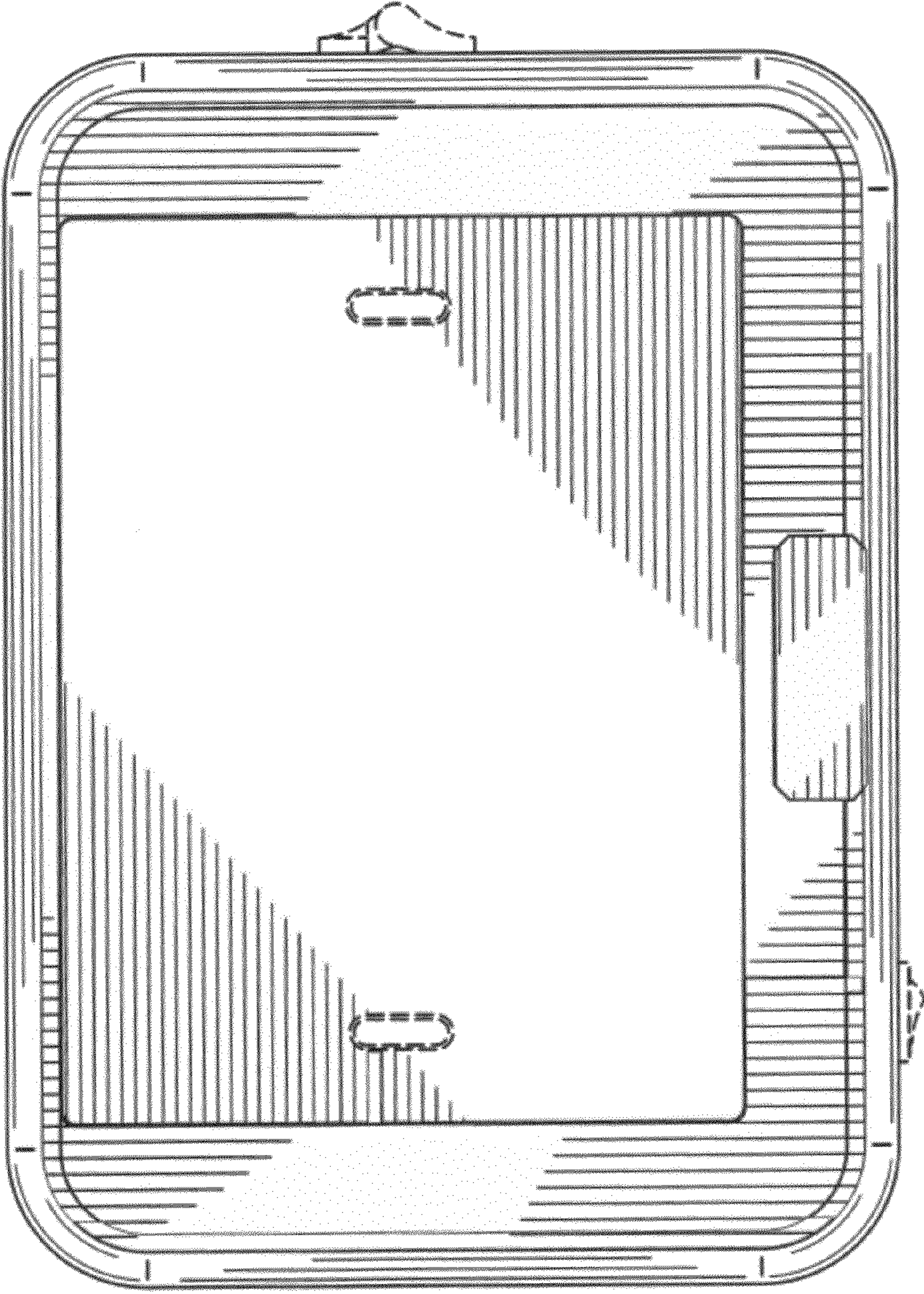


FIG. 3

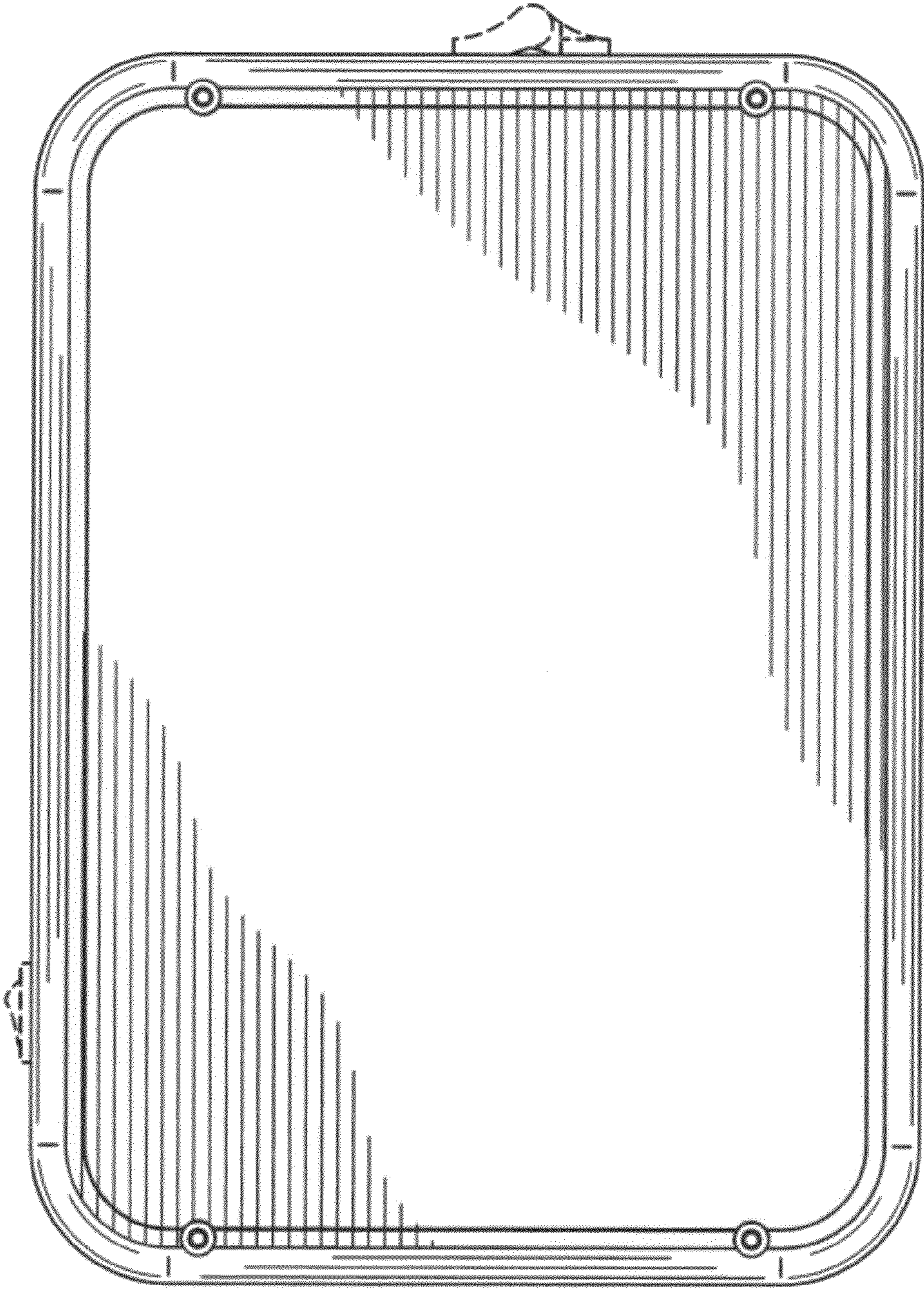


FIG. 4

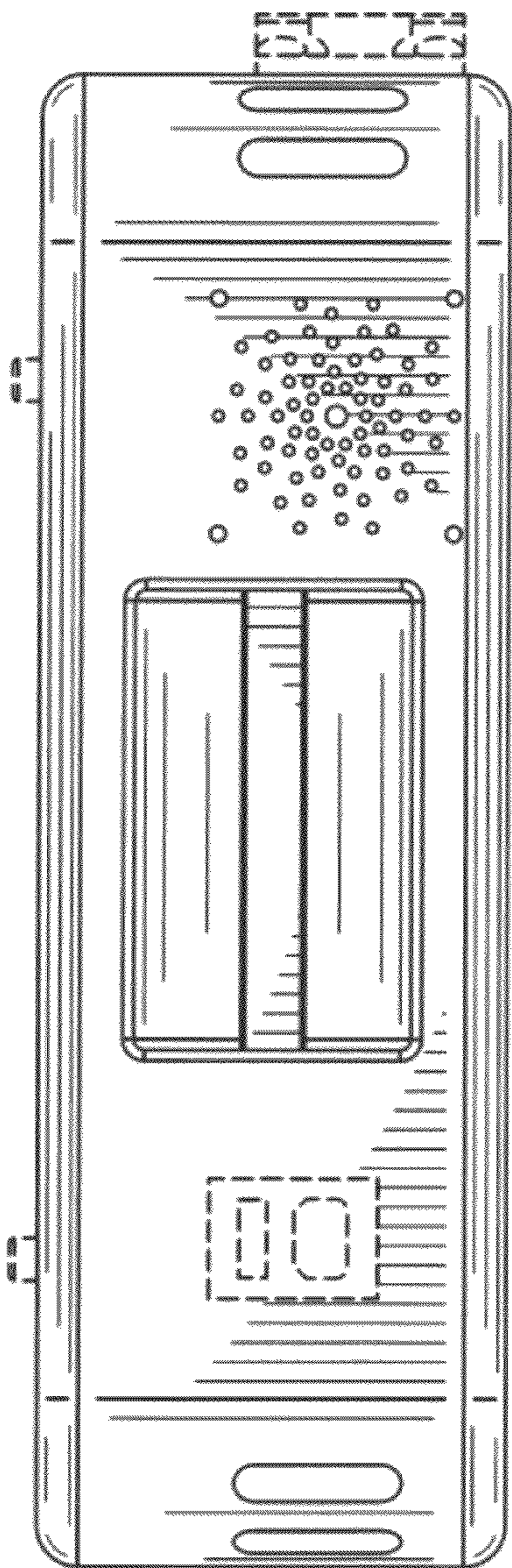


FIG. 5

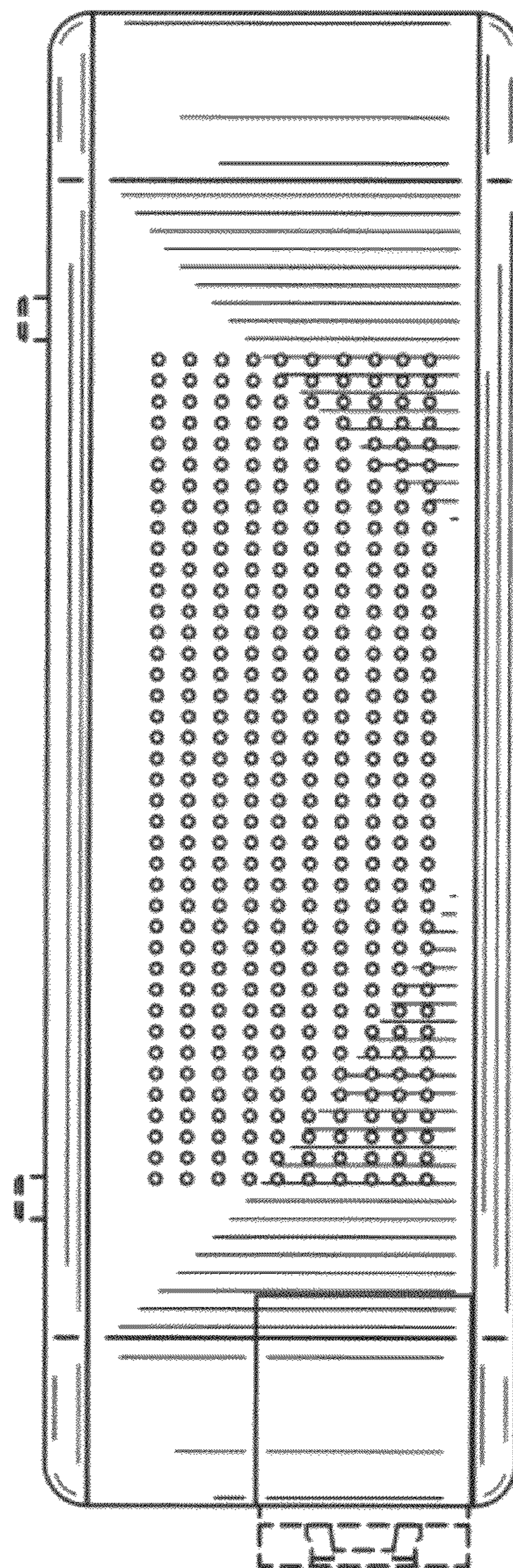


FIG. 6

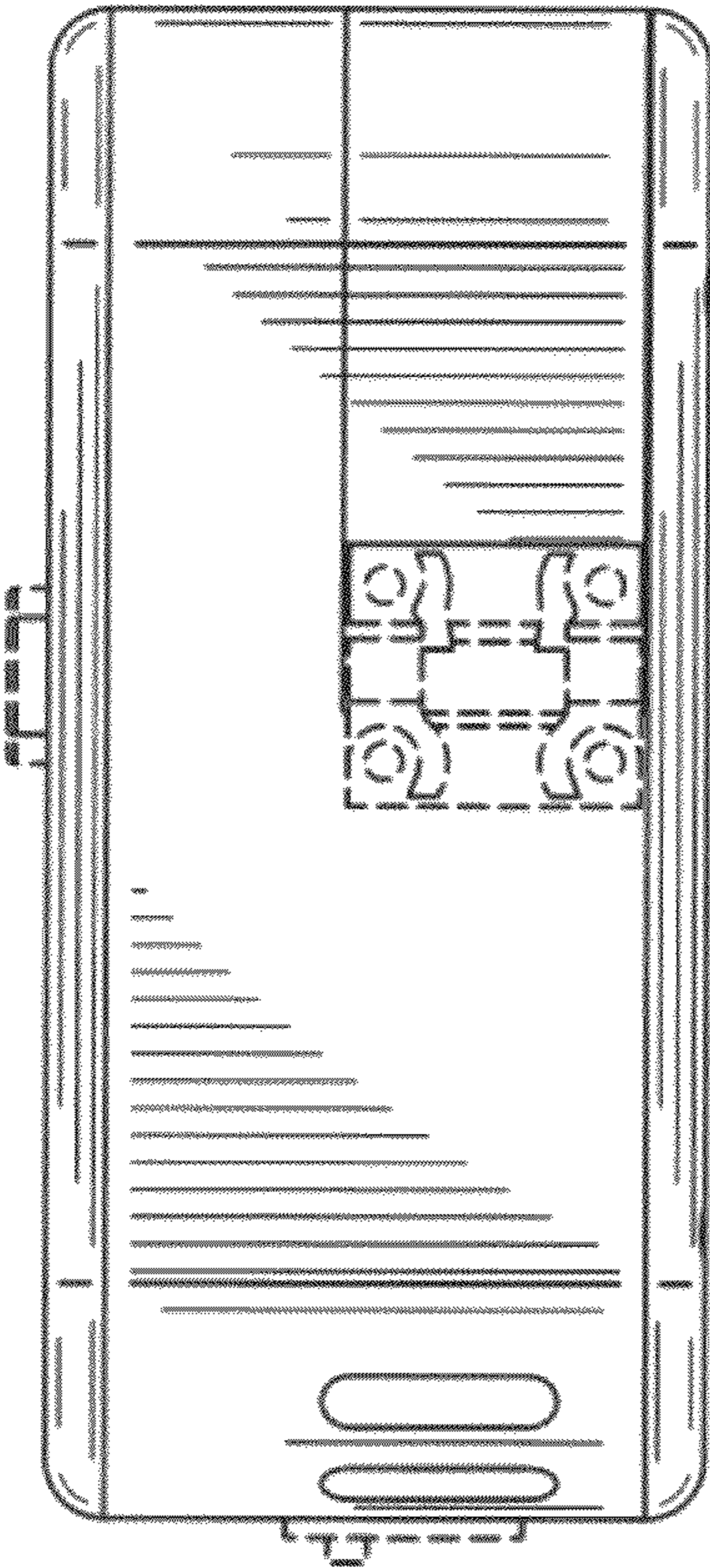


FIG. 7

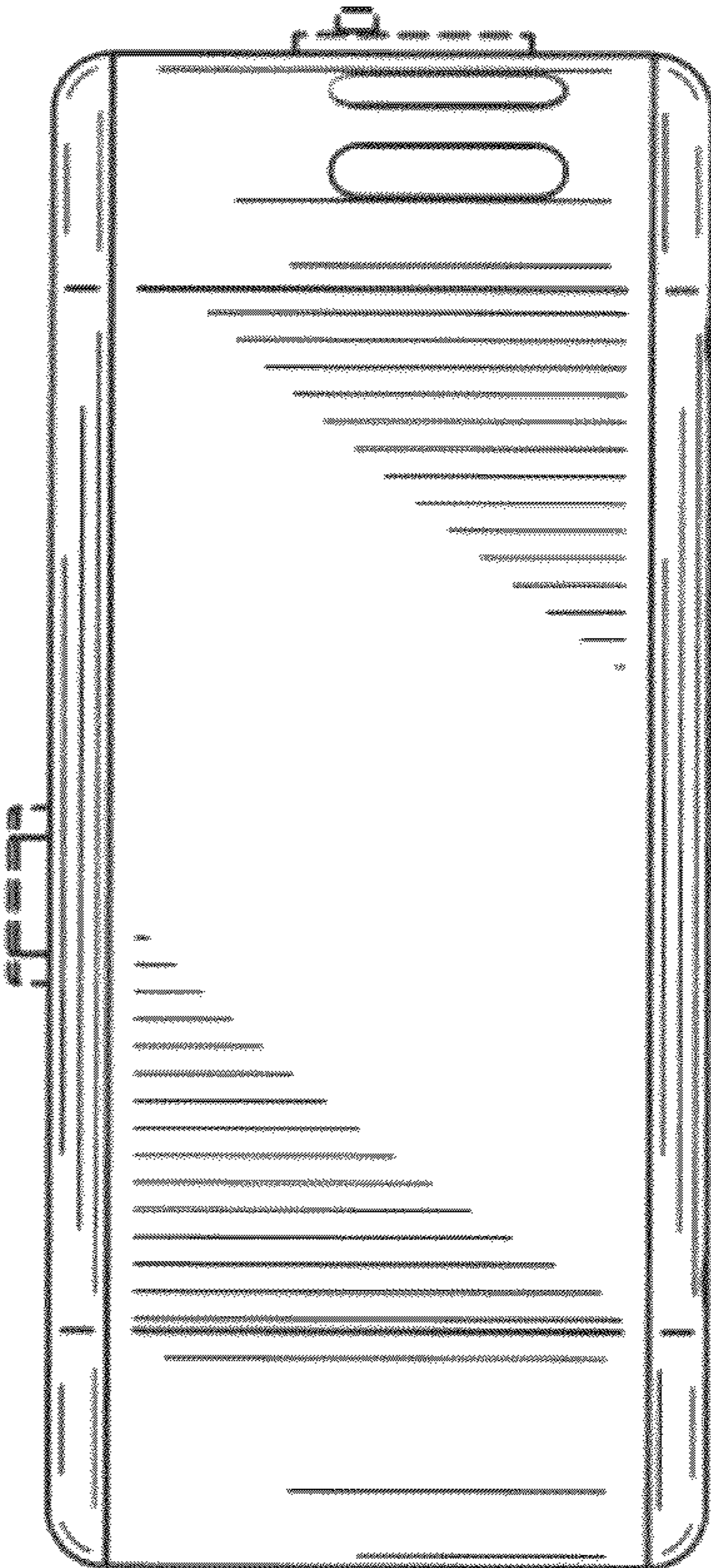


FIG. 8