



US00D669471S

(12) **United States Design Patent**
Hwang et al.

(10) **Patent No.:** **US D669,471 S**
(45) **Date of Patent:** **** Oct. 23, 2012**

(54) **WEARABLE ELECTRONIC DISPLAY**

(75) Inventors: **Hoosung Hwang**, Kyeonggi-do (KR);
Jhang Woo Lee, Seoul (KR)

(73) Assignee: **Kopin Corporation**, Taunton, MA (US)

(**) Term: **14 Years**

(21) Appl. No.: **29/360,556**

(22) Filed: **Apr. 27, 2010**

(51) **LOC (9) Cl.** **14-02**

(52) **U.S. Cl.** **D14/372**

(58) **Field of Classification Search** D14/372,
D14/496, 432, 371, 125, 126, 129, 299;
D16/300-342; 351/158, 153, 144; 345/7-9,
345/905; 455/344; 348/115, 53, 121, 739
See application file for complete search history.

(56) **References Cited**

U.S. PATENT DOCUMENTS

D271,211	S	11/1983	Raicevic	
4,856,086	A	8/1989	McCullough	
5,106,179	A	4/1992	Kamaya et al.	
5,162,828	A *	11/1992	Furness et al.	353/122
5,276,471	A	1/1994	Yamauchi et al.	
D351,622	S *	10/1994	Holmes	D14/372
5,371,556	A	12/1994	Suwa et al.	
D370,909	S *	6/1996	Oikawa et al.	D14/372
D375,495	S *	11/1996	MacInness et al.	D14/372
D381,346	S	7/1997	Ronzani et al.	
D383,455	S *	9/1997	MacInnes et al.	D14/372
D385,573	S	10/1997	Ertz	
5,684,354	A	11/1997	Gleckman	
D389,826	S *	1/1998	Cousins	D14/135
D397,334	S *	8/1998	Larian	D14/372
5,880,773	A *	3/1999	Suzuki	348/115
5,903,395	A *	5/1999	Rallison et al.	359/630
D417,447	S *	12/1999	Hirose et al.	D14/372

D424,553	S *	5/2000	Larian	D14/372
D427,982	S *	7/2000	Ishii	D14/372
D432,508	S *	10/2000	Park et al.	D14/372
D439,265	S	3/2001	Hayashi	
6,215,461	B1	4/2001	Ishibashi et al.	
D444,155	S *	6/2001	Morooka et al.	D14/496
6,351,252	B1	2/2002	Atsumi et al.	
6,400,341	B1	6/2002	Maeda et al.	
6,404,556	B1	6/2002	Kobayashi	
6,421,031	B1	7/2002	Ronzani et al.	
6,424,321	B1	7/2002	Ronzani et al.	
6,449,309	B1 *	9/2002	Tabata	375/240.01
6,452,572	B1 *	9/2002	Fan et al.	345/8
6,480,174	B1 *	11/2002	Kaufmann et al.	345/8

(Continued)

Primary Examiner — Deanna L Fluegeman

(74) *Attorney, Agent, or Firm* — Hamilton, Brook, Smith & Reynolds, P.C.

(57) **CLAIM**

The ornamental design for a wearable electronic display, as shown and described.

DESCRIPTION

FIG. 1 is a perspective view of the wearable electronic display embodying the present design.

FIG. 2 is a front view of the wearable electronic display.

FIG. 3 is a rear view of the wearable electronic display.

FIG. 4 is a top view of the wearable electronic display.

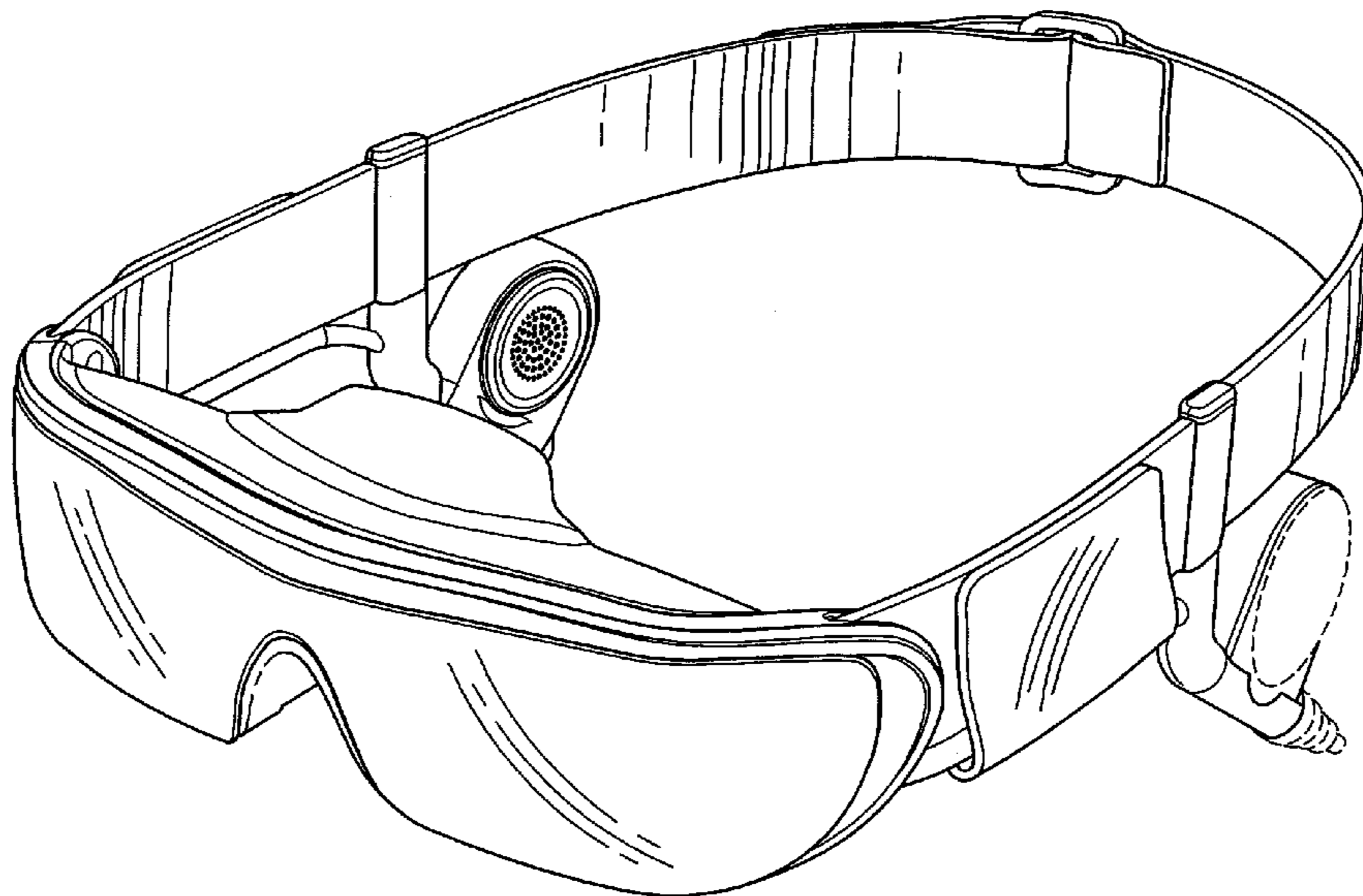
FIG. 5 is a bottom view of the wearable electronic display.

FIG. 6 is a left side view of the wearable electronic display; and,

FIG. 7 is a right side view of the wearable electronic display.

The broken lines in the drawings illustrate portions of the wearable electronic display that form no part of the claimed design.

1 Claim, 5 Drawing Sheets



US D669,471 S

Page 2

U.S. PATENT DOCUMENTS

6,614,603	B2	9/2003	Himmele				
D513,031	S	12/2005	Travers et al.				
D521,493	S *	5/2006	Wai	D14/205		
7,161,560	B2 *	1/2007	Patterson	345/7		
D545,344	S *	6/2007	Yang	D16/309		
D546,866	S *	7/2007	Yang	D16/309		
D556,815	S	12/2007	Travers et al.				
D571,366	S	6/2008	Lee et al.				
7,740,353	B2 *	6/2010	Jannard	351/158		
7,786,424	B2 *	8/2010	Durner et al.	250/214 VT		
D628,616	S *	12/2010	Yuan	D16/306		
2002/0158813	A1	10/2002	Kiyokawa et al.				
2004/0113867	A1	6/2004	Tomine et al.				
2005/0146487	A1	7/2005	Travers et al.				
2005/0168824	A1	8/2005	Travers et al.				
2009/0156128	A1 *	6/2009	Franson et al.	455/66.1		

* cited by examiner

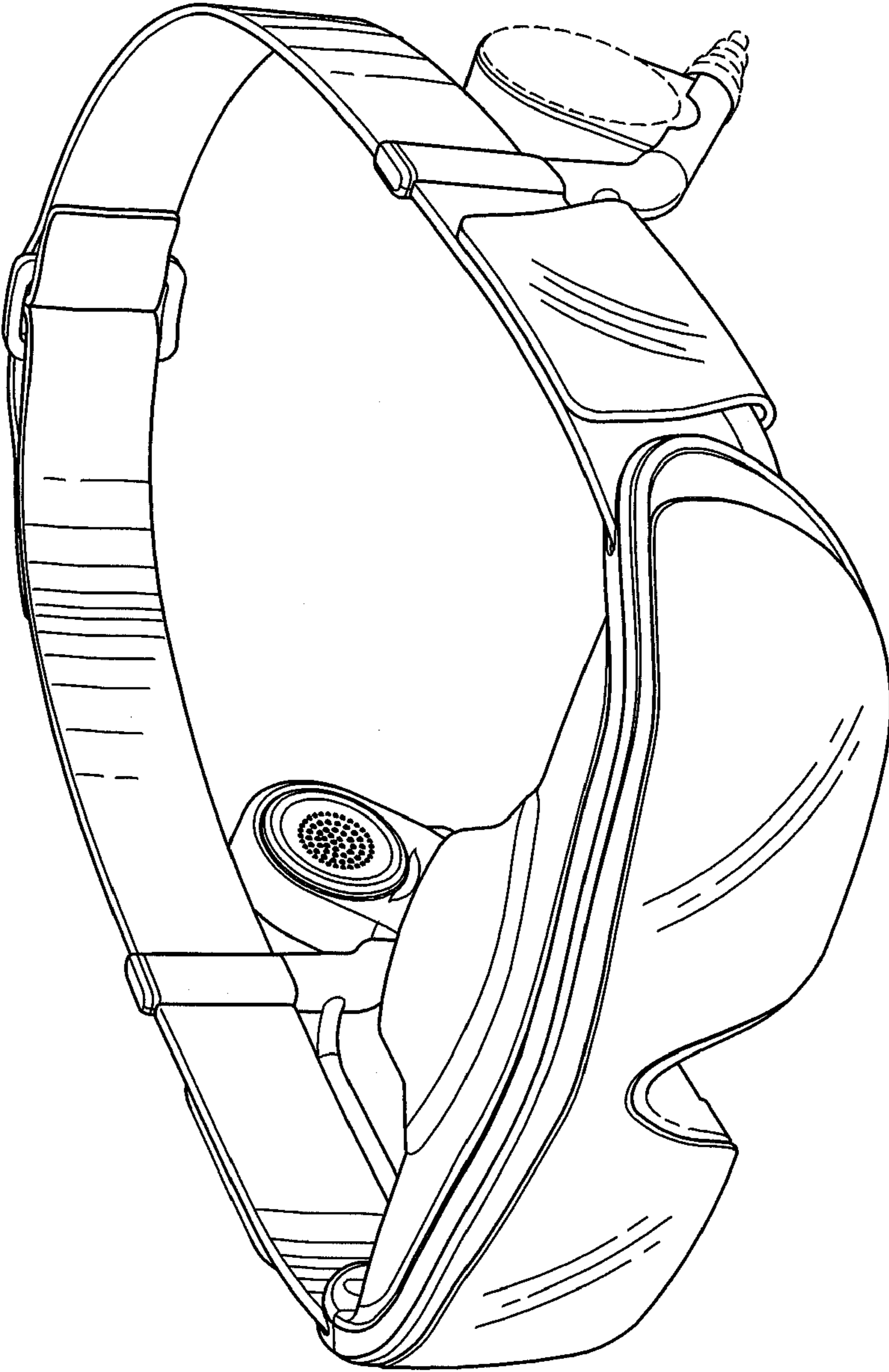


FIG. 1

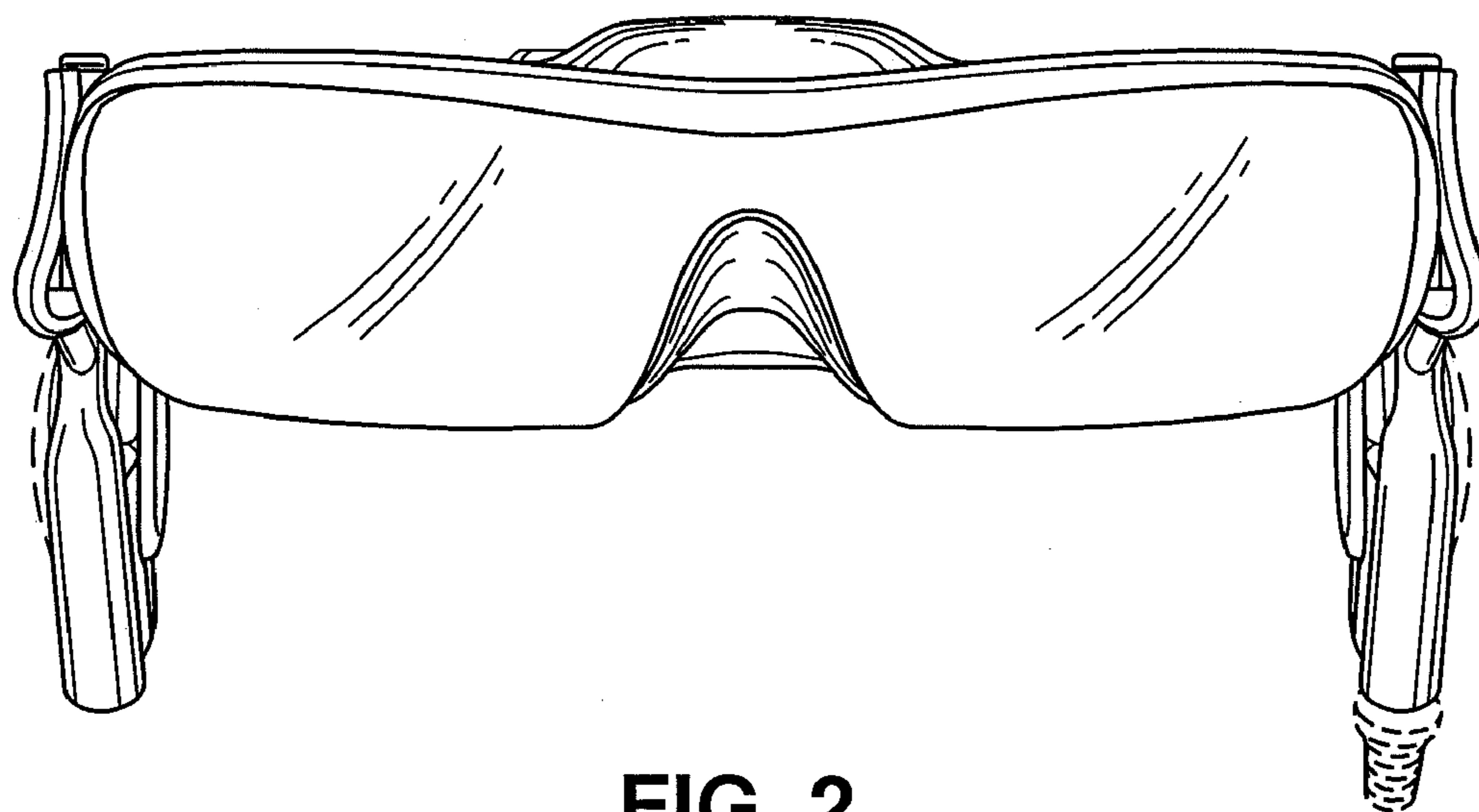


FIG. 2

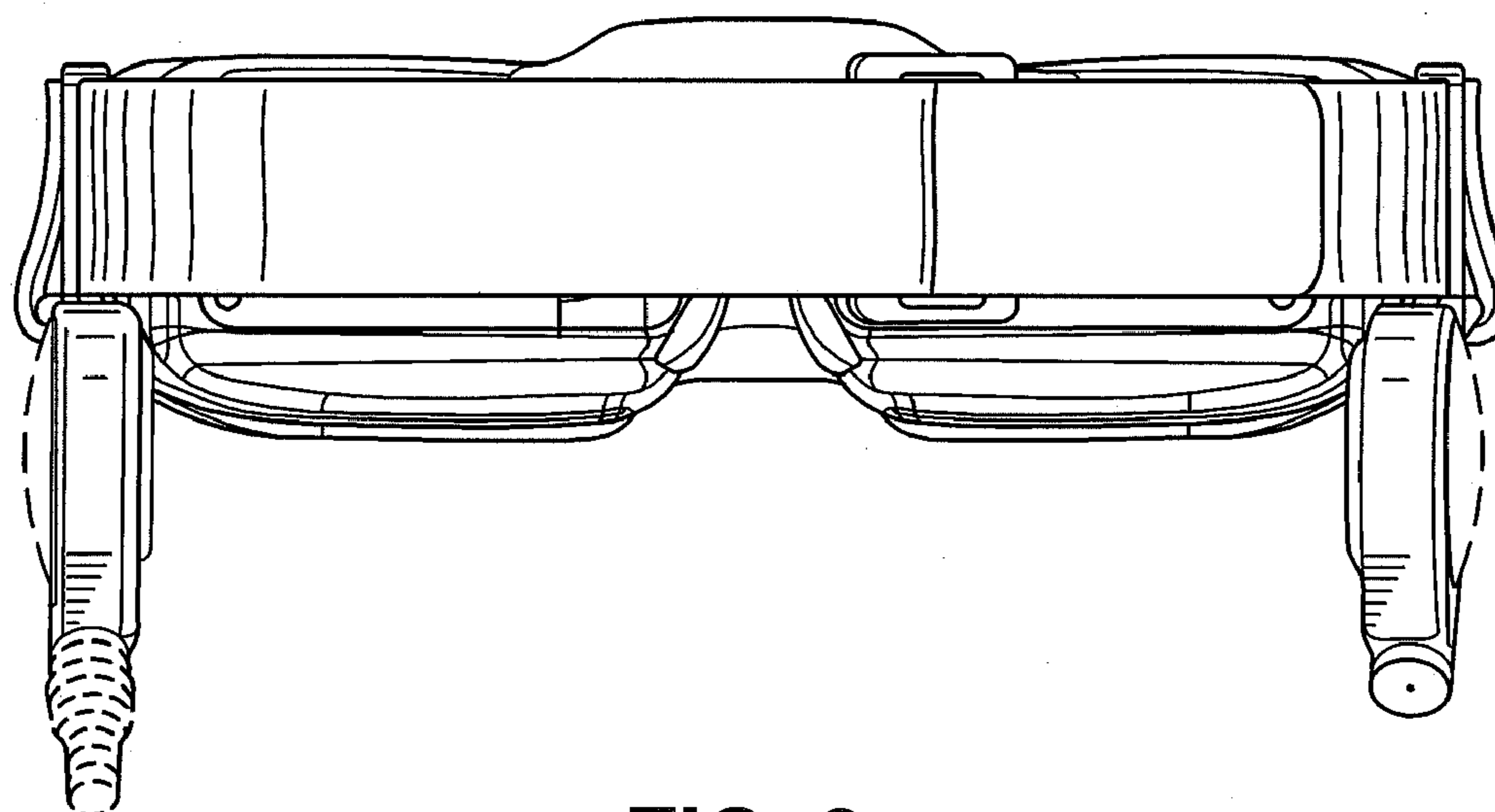


FIG. 3

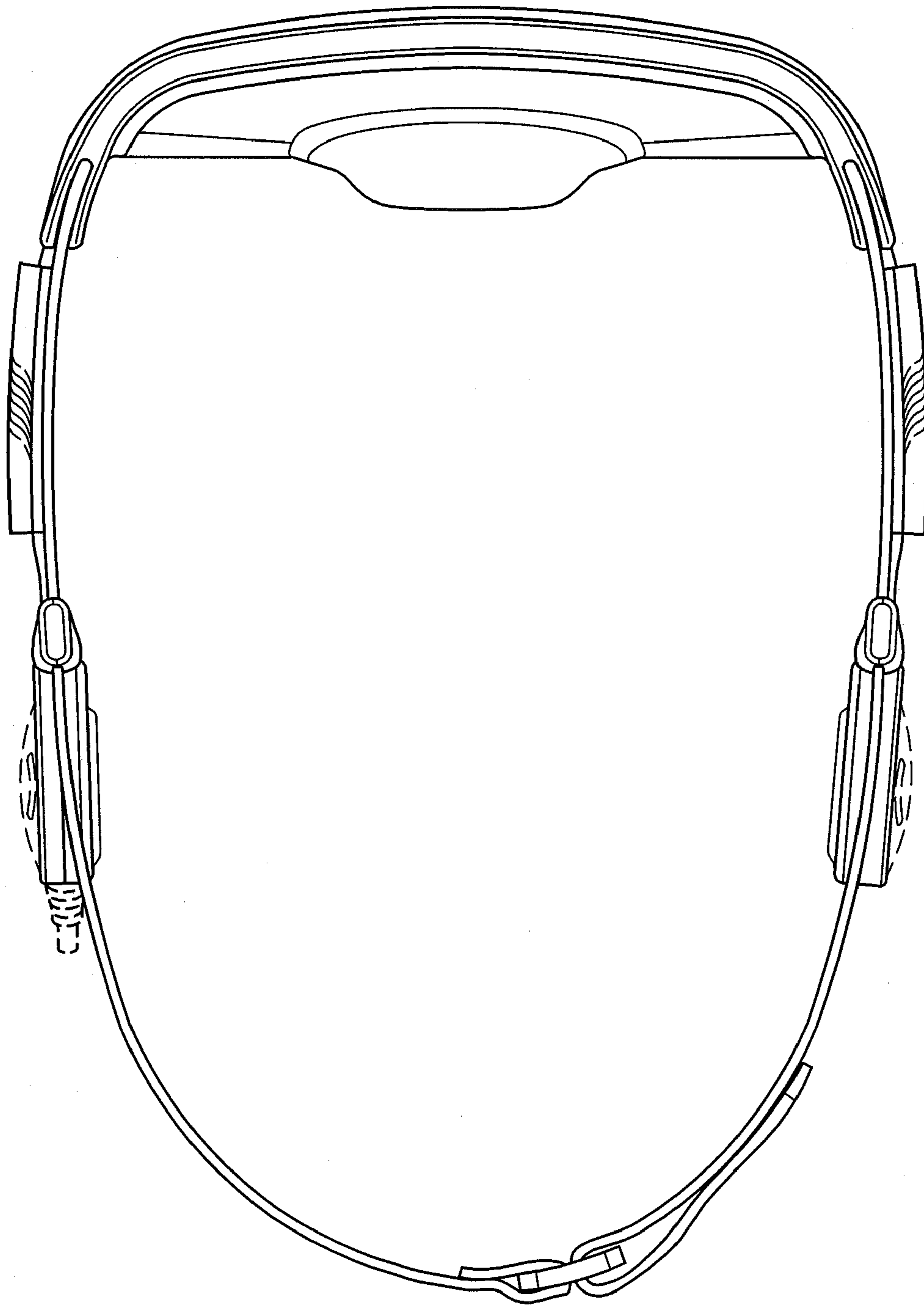


FIG. 4

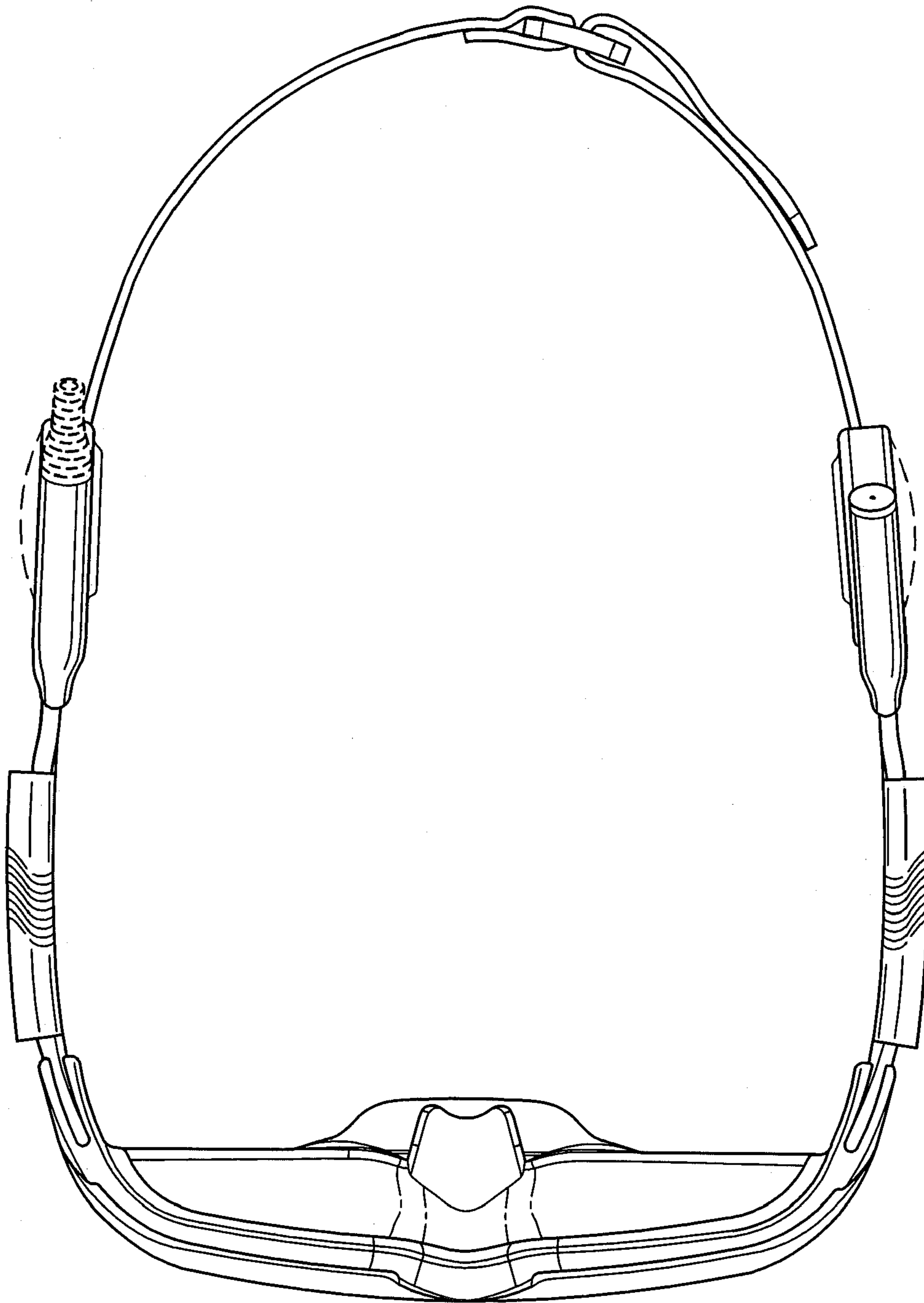


FIG. 5

FIG. 6

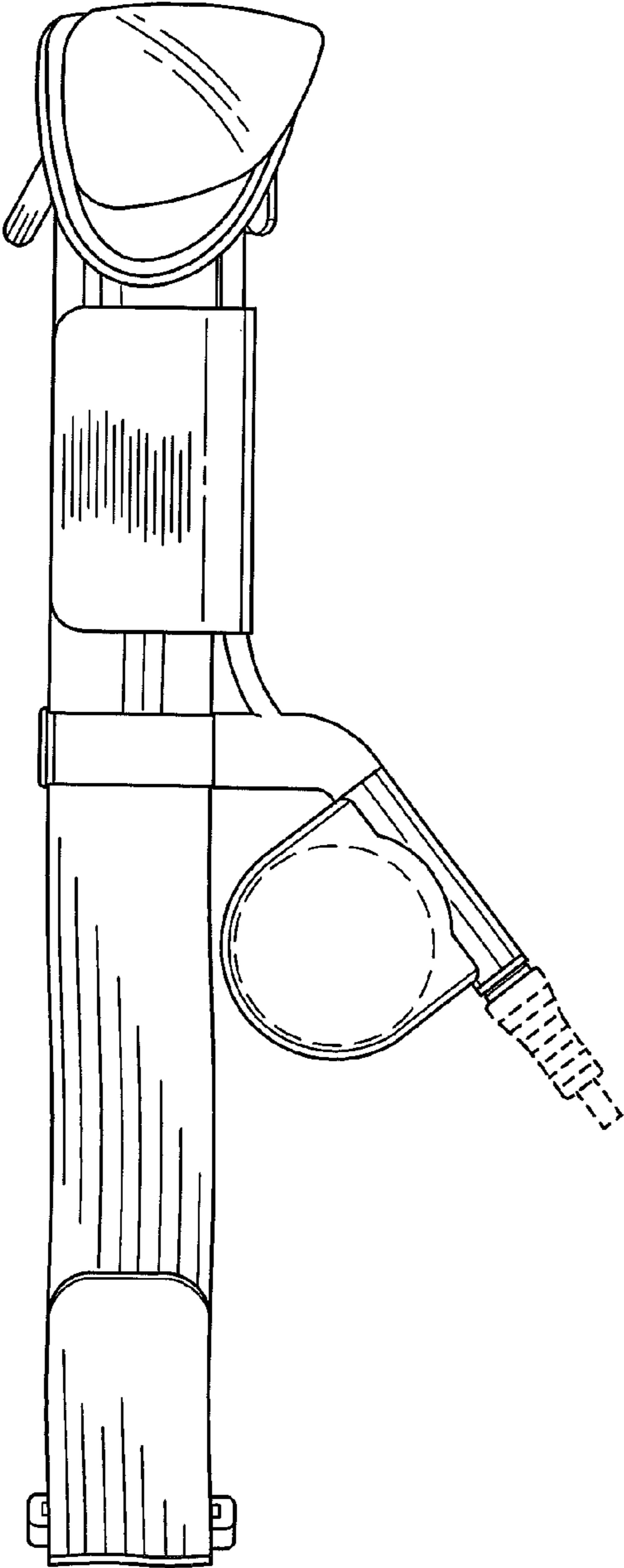


FIG. 7

