

US00D669470S

(12) **United States Design Patent**
Zha et al.

(10) **Patent No.:** **US D669,470 S**
(45) **Date of Patent:** **** Oct. 23, 2012**

(54) **ELECTRONIC READER DEVICE**

(75) Inventors: **Yan Hui Zha**, Shanghai (CN); **Wei Lit Wilfred Leung**, Singapore (SG)

(73) Assignee: **Creative Technology Ltd**, Singapore (SG)

(**) Term: **14 Years**

(21) Appl. No.: **29/388,942**

(22) Filed: **Apr. 4, 2011**

(30) **Foreign Application Priority Data**

Oct. 13, 2010 (SG) D2010/944/I

(51) **LOC (9) Cl.** **14-02**

(52) **U.S. Cl.** **D14/341**

(58) **Field of Classification Search** D14/341-347,
D14/137, 138, 138.1, 138 A, 138 AA, 138 R,
D14/138 AB, 138 AC, 138 AD, 138 C, 138 G,
D14/496, 203.1, 203.3, 203.4, 203.5, 203.7,
D14/426, 427, 432, 429, 129, 130, 420, 439-441,
D14/448, 125, 126, 147, 156, 218, 247-248,
D14/250, 389, 388, 315-318; D10/65, 104;
D18/6-7; D21/324, 329, 330; D19/26, 59,
D19/60; 455/556.1, 556.2, 566, 575.1, 90.3;
379/433.04, 433.01, 433.06, 916; 345/169,
345/173, 901, 905; 361/679.26, 679.27,
361/679.3, 679.55, 679.56

See application file for complete search history.

(56) **References Cited**

U.S. PATENT DOCUMENTS

D579,930	S	*	11/2008	Maskatia	D14/341
D592,214	S	*	5/2009	Bradford	D14/371
D602,487	S	*	10/2009	Maskatia	D14/341
D617,793	S	*	6/2010	Chiang et al.	D14/341
D626,437	S	*	11/2010	Lee et al.	D10/65
D630,636	S	*	1/2011	Jeon et al.	D14/374
D645,465	S	*	9/2011	Lin et al.	D14/341
D645,833	S	*	9/2011	Seflic et al.	D14/138 G
D654,073	S	*	2/2012	Li	D14/341
D654,498	S	*	2/2012	Hwang et al.	D14/341
2011/0074740	A1	*	3/2011	Liu	345/179

* cited by examiner

Primary Examiner — Barbara Fox

(74) *Attorney, Agent, or Firm* — Creative Technology Ltd

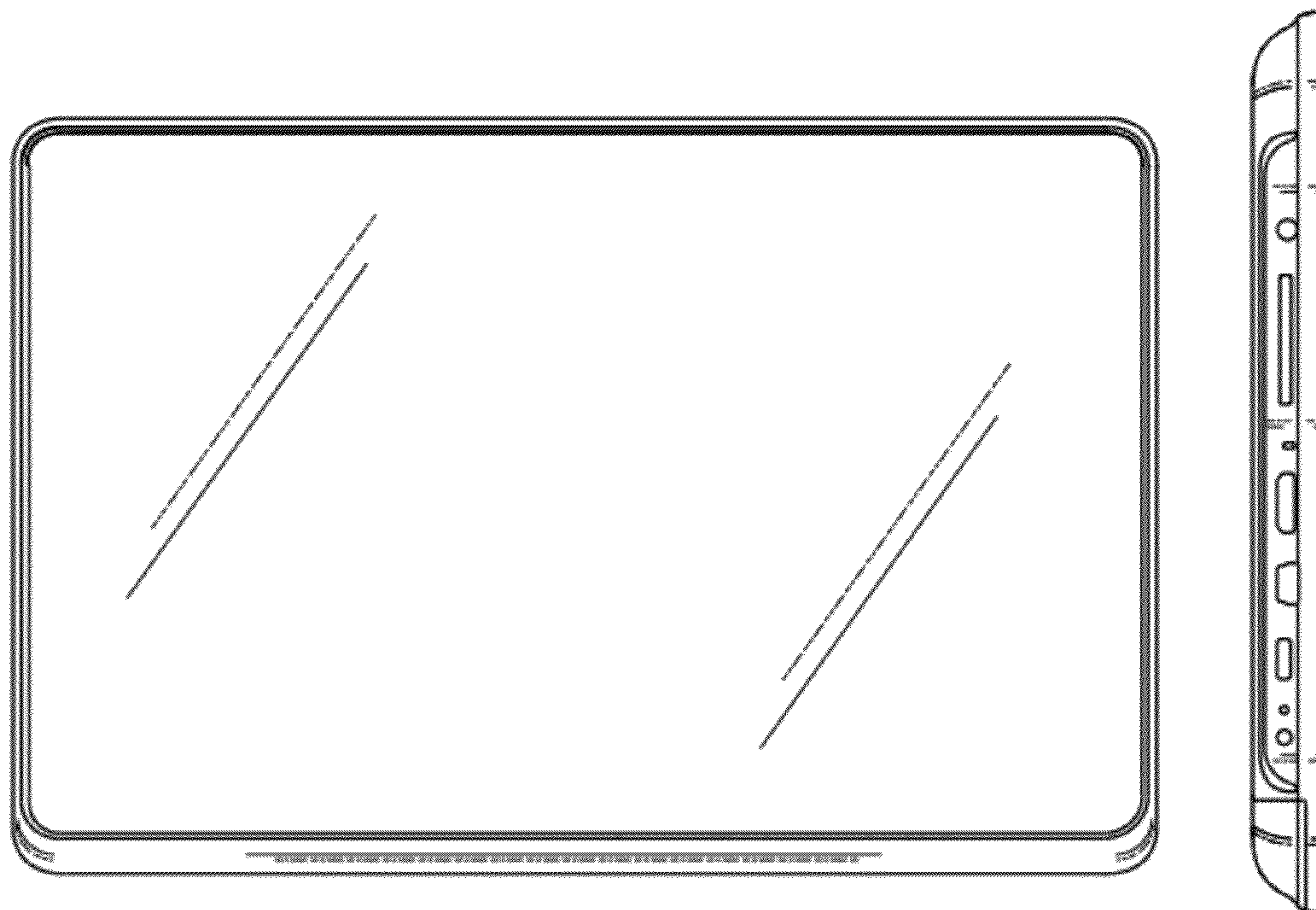
(57) **CLAIM**

The ornamental design for an electronic reader device, substantially as shown and described.

DESCRIPTION

FIG. 1 is a front and right side perspective view of an electronic reader device showing our new design;
FIG. 2 is a front and left side perspective view thereof;
FIG. 3 is a rear and left side perspective view thereof;
FIG. 4 is a rear and right side perspective view thereof;
FIG. 5 is a front elevational view thereof;
FIG. 6 is a rear elevational view thereof;
FIG. 7 is a right side elevational view thereof;
FIG. 8 is a left side elevational view thereof;
FIG. 9 is a top plan view thereof; and,
FIG. 10 is a bottom plan view thereof.

1 Claim, 8 Drawing Sheets



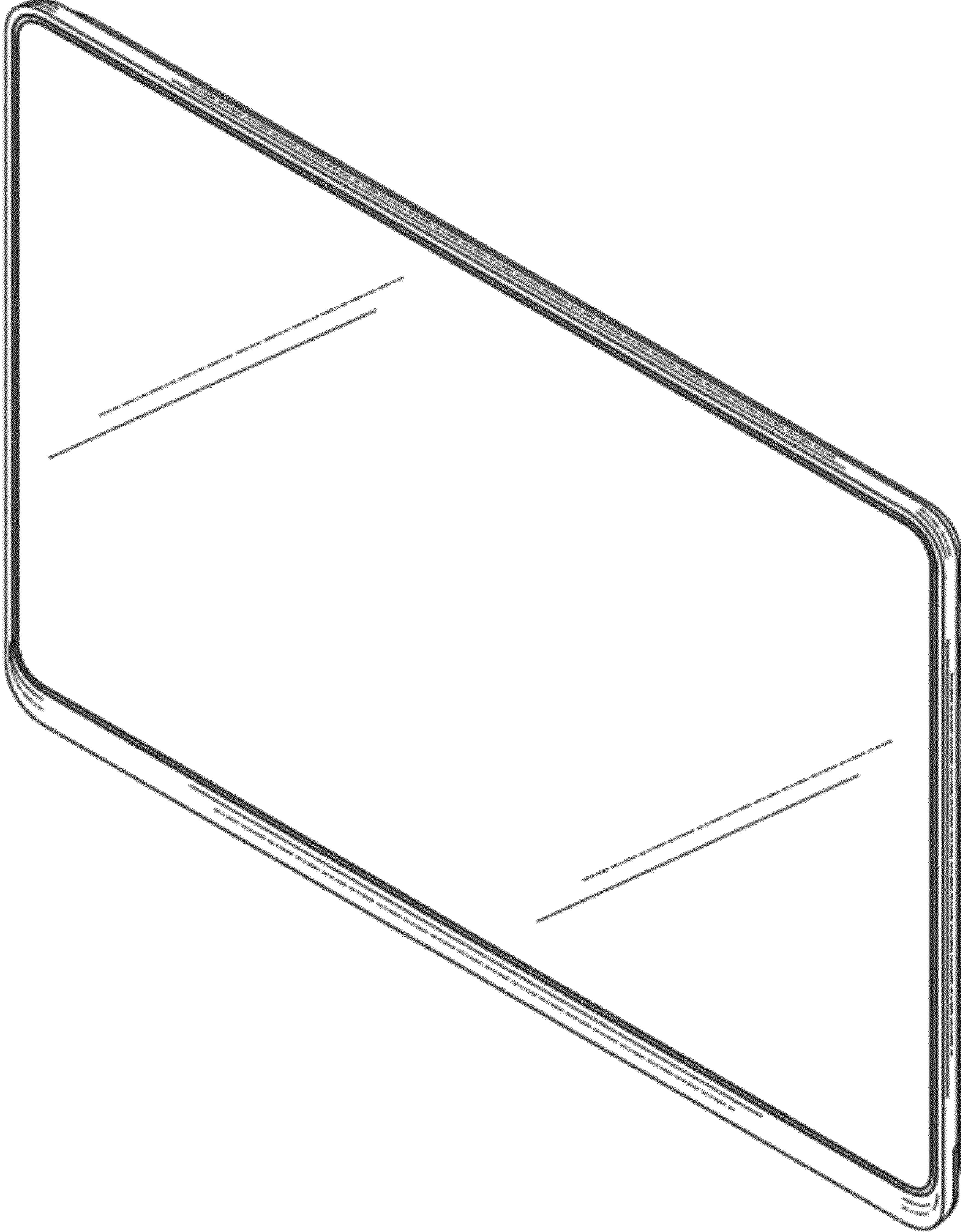


FIG. 1

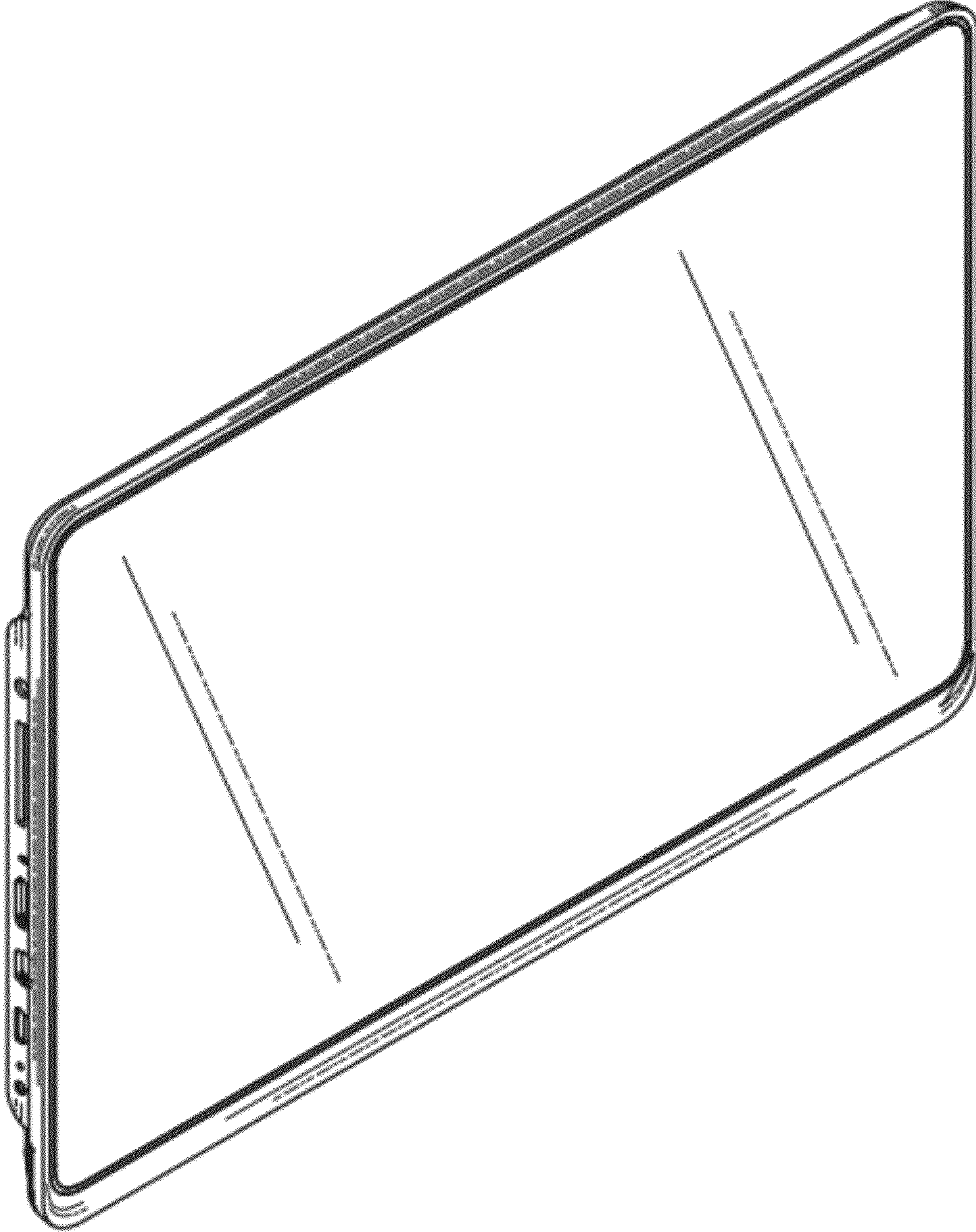


FIG. 2

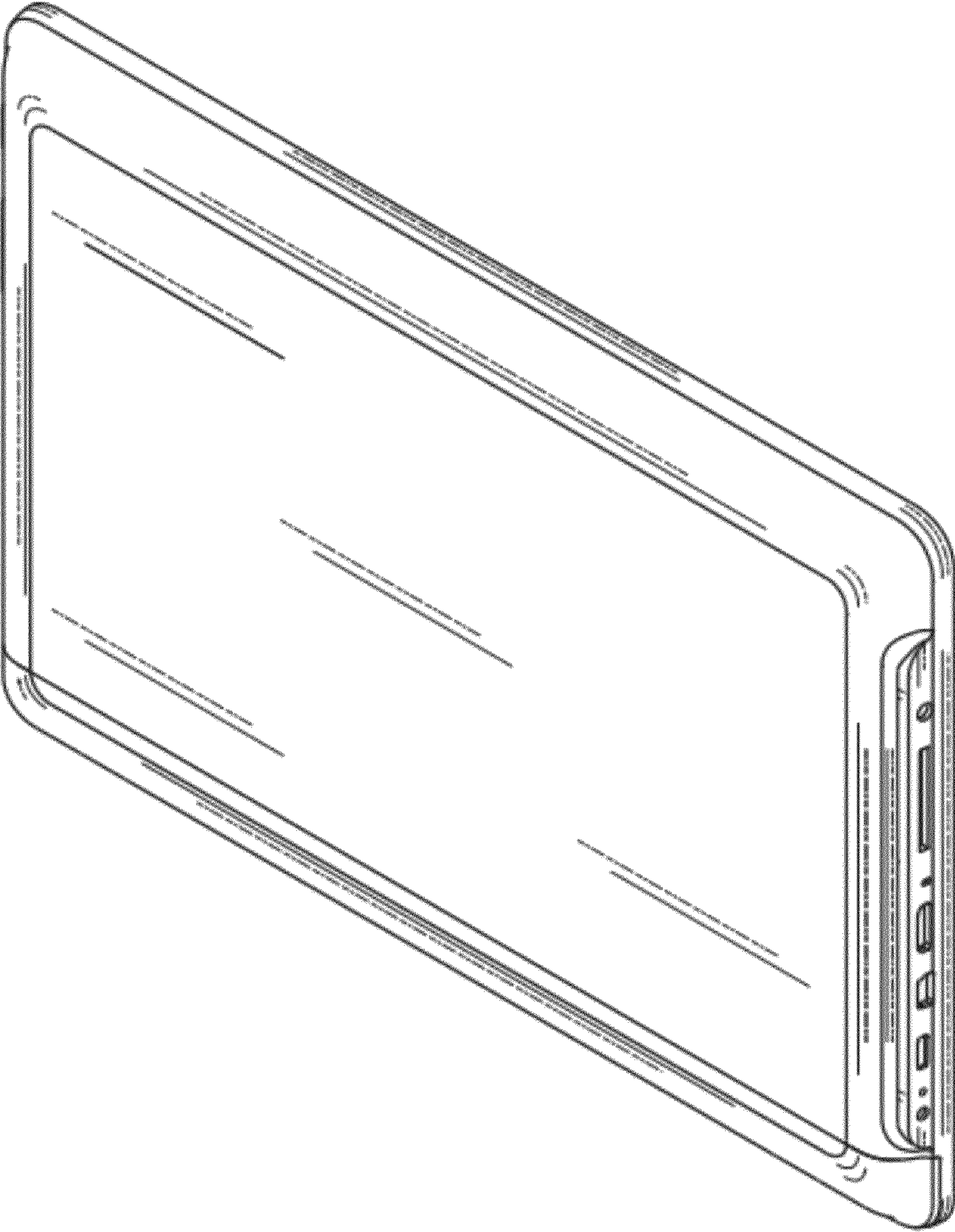


FIG. 3

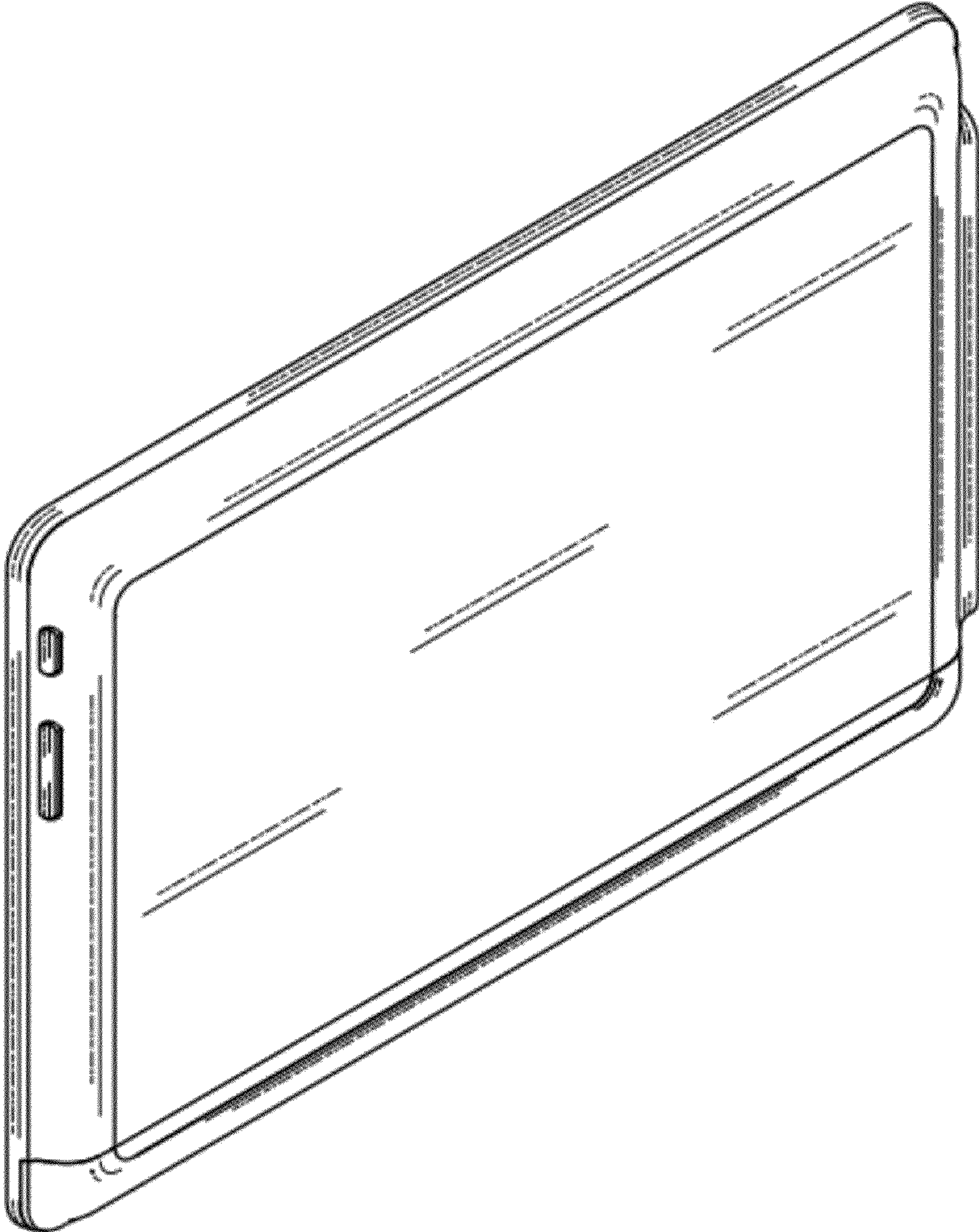


FIG. 4

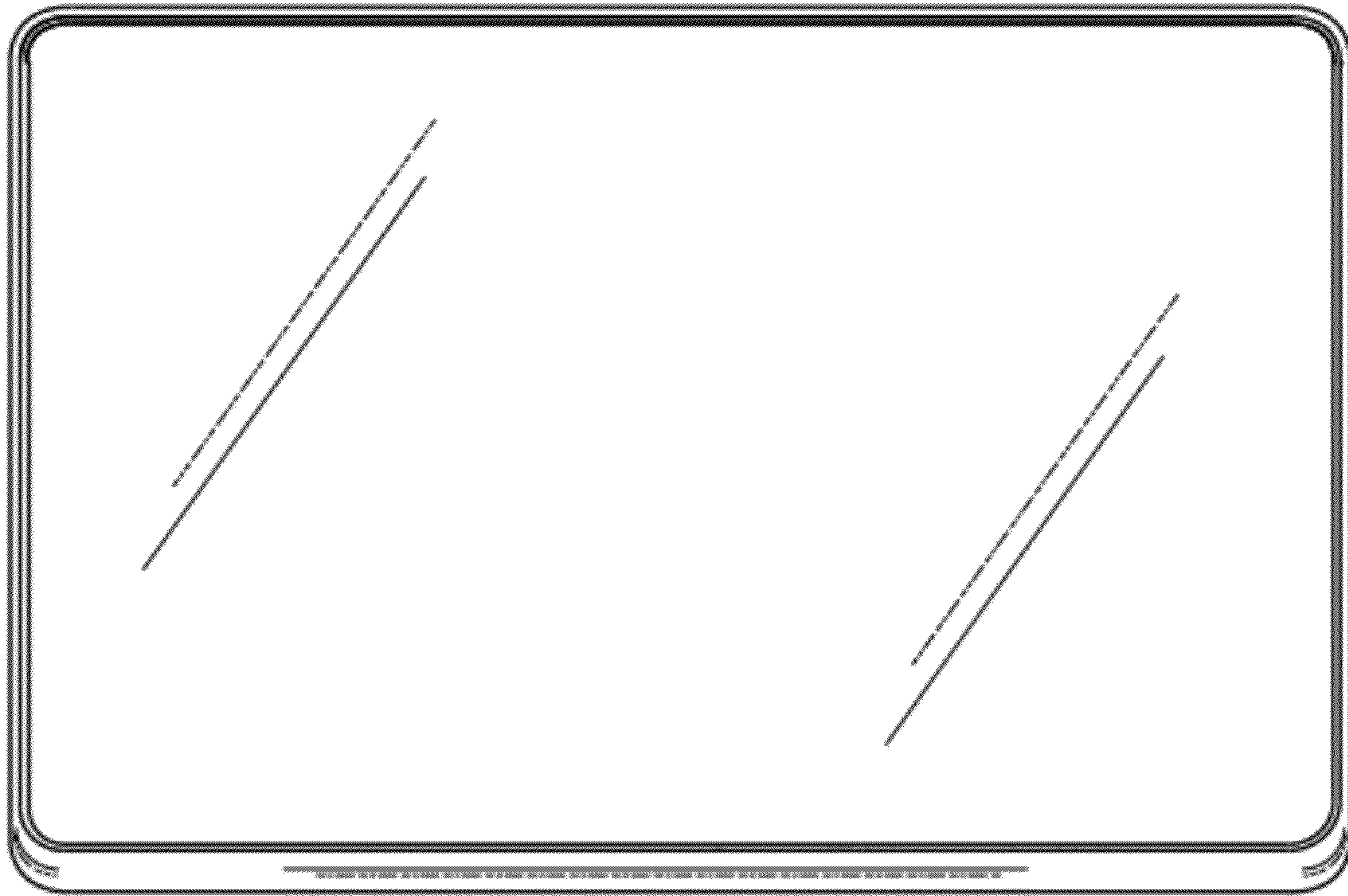


FIG. 5

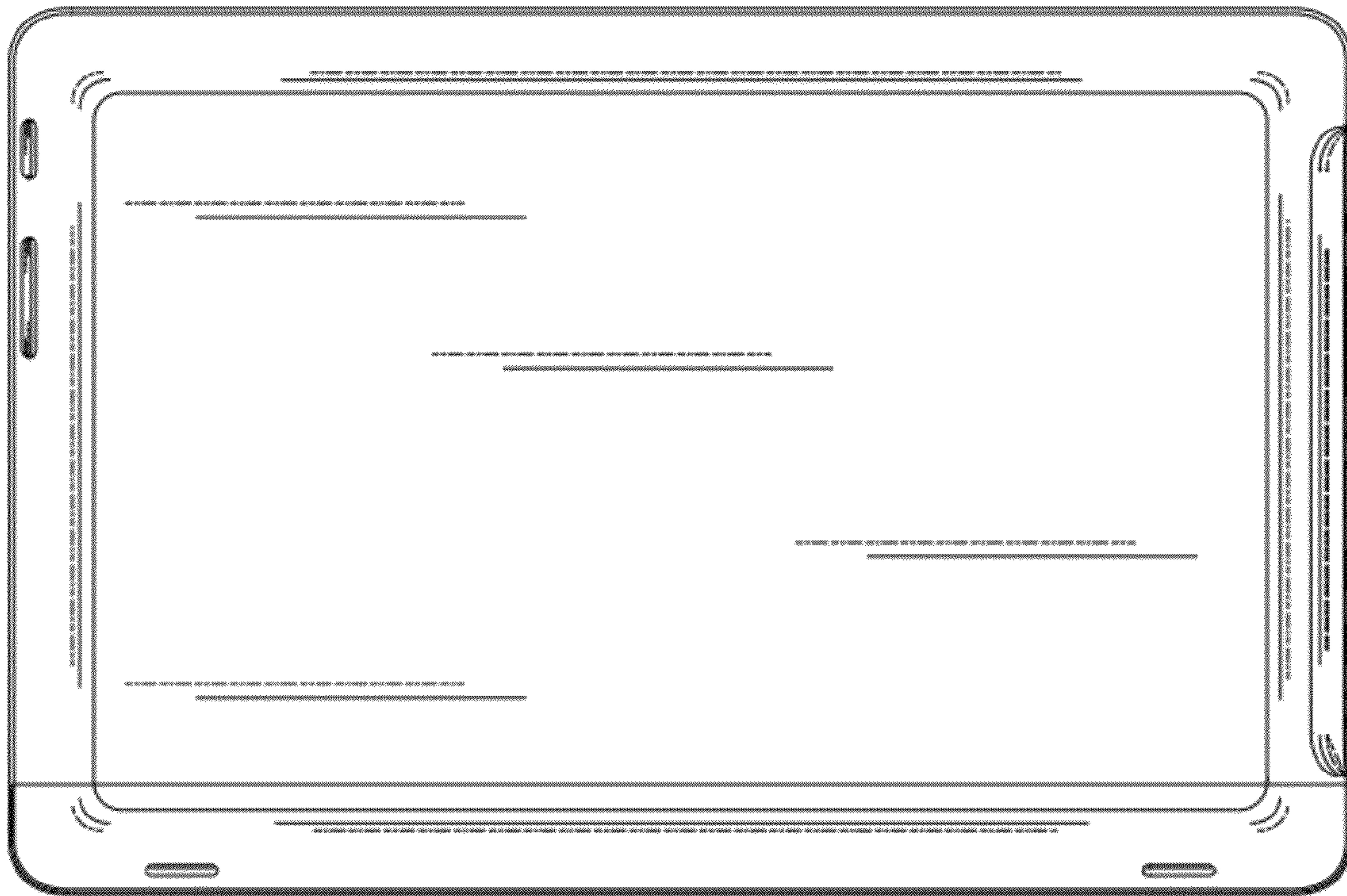


FIG. 6



FIG. 7



FIG. 8

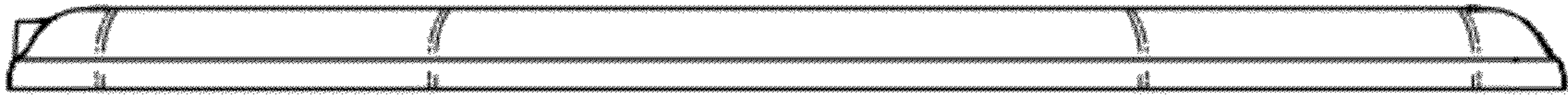


FIG. 9

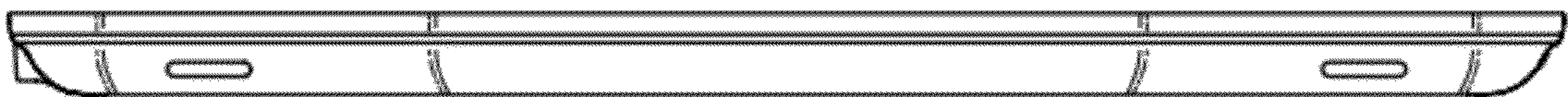


FIG. 10