



US00D669464S

(12) **United States Design Patent**
Birgeoglu

(10) **Patent No.:** **US D669,464 S**

(45) **Date of Patent:** **** Oct. 23, 2012**

(54) **KIOSK SYSTEM**

(75) Inventor: **Zubair Birgeoglu**, Marion, IN (US)

(73) Assignee: **Zivelo LLC**, Marion, IN (US)

(**) Term: **14 Years**

(21) Appl. No.: **29/414,556**

(22) Filed: **Feb. 29, 2012**

(51) **LOC (9) Cl.** **14-02**

(52) **U.S. Cl.** **D14/307**

(58) **Field of Classification Search** D14/302-307,
D14/900-902; D13/163; D20/10; D21/332,
D21/325, 369, 370; D99/28; D6/397, 466;
194/206; 361/679.01, 679.02, 679.04, 679.21,
361/679.57, 725

See application file for complete search history.

(56) **References Cited**

U.S. PATENT DOCUMENTS

| | | | |
|--------------|---------|------------------------|---------|
| D327,766 S * | 7/1992 | Swaine et al. | D99/28 |
| D377,784 S * | 2/1997 | Wilson | D14/302 |
| D389,522 S * | 1/1998 | Hesselbach et al. | D20/10 |
| D415,330 S * | 10/1999 | King | D99/28 |
| D417,893 S * | 12/1999 | Hunter et al. | D20/10 |
| D436,999 S * | 1/2001 | Cronley | D20/10 |
| D442,560 S * | 5/2001 | Price et al. | D13/163 |

| | | | |
|--------------|---------|------------------------|---------|
| D594,068 S * | 6/2009 | Hsu | D21/370 |
| D605,189 S * | 12/2009 | Kuroda | D14/307 |
| D637,595 S * | 5/2011 | Mizusugi | D14/307 |
| D646,269 S * | 10/2011 | Crick et al. | D14/307 |
| D661,291 S * | 6/2012 | Renukanand et al. | D14/307 |
| D661,292 S * | 6/2012 | Kuroda et al. | D14/307 |
| D661,293 S * | 6/2012 | Kuroda et al. | D14/307 |

* cited by examiner

Primary Examiner — Austin Murphy

(74) *Attorney, Agent, or Firm* — Knobbe Martens Olson & Bear LLP

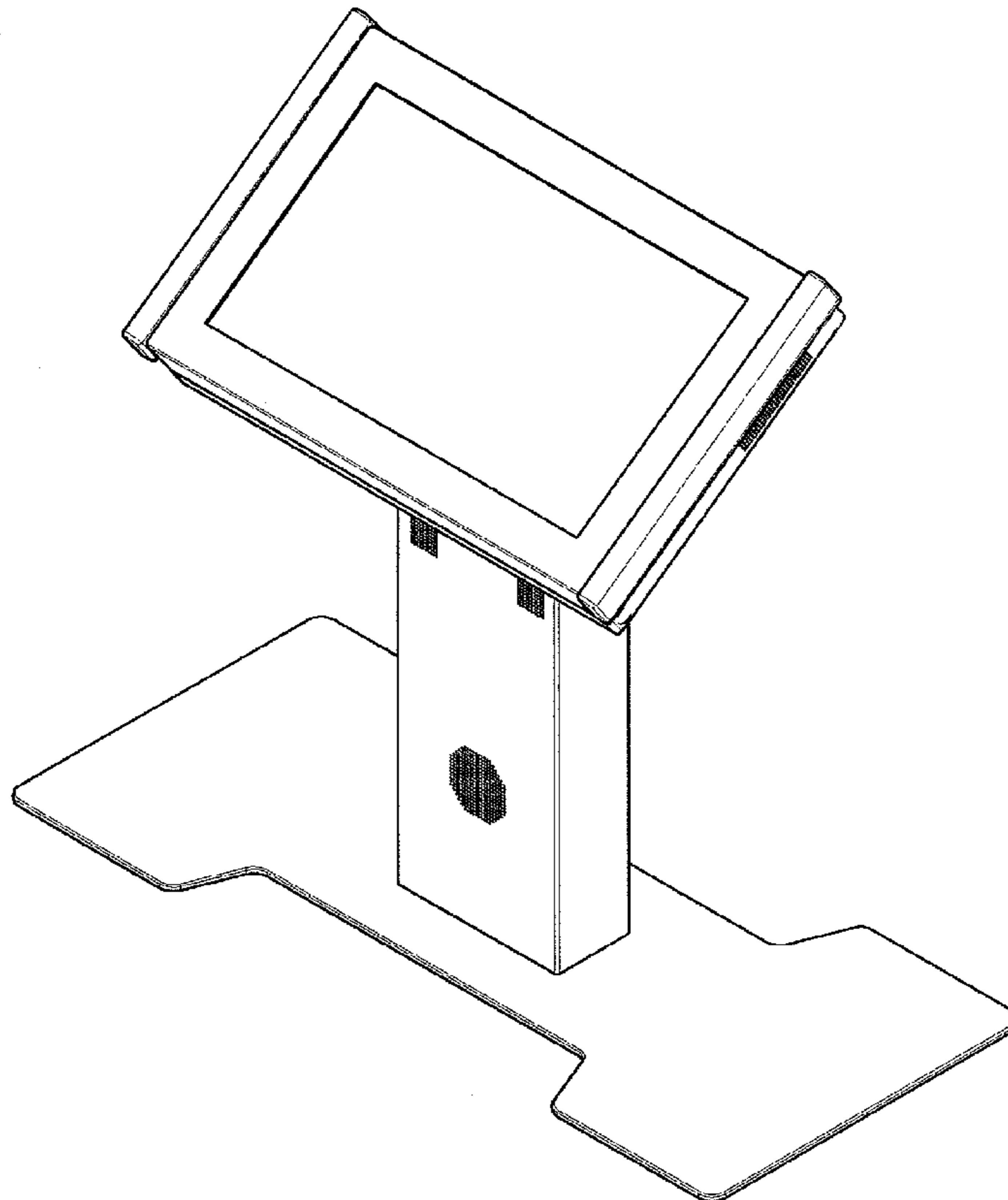
(57) **CLAIM**

The ornamental design for a kiosk system, as shown and described.

DESCRIPTION

FIG. 1 is a top, front, and right side perspective of an embodiment of a kiosk system embodying my new design.
FIG. 2 is a front view of the embodiment of FIG. 1.
FIG. 3 is a back view of the embodiment of FIG. 1.
FIG. 4 is a right side view of the embodiment of FIG. 1.
FIG. 5 is a left side view of the embodiment of FIG. 1.
FIG. 6 is a bottom view of the embodiment of FIG. 1; and,
FIG. 7 is a top view of the embodiment of FIG. 1.
Shown in phantom lines are grill features of the kiosk system which form no part of the claimed design.

1 Claim, 6 Drawing Sheets



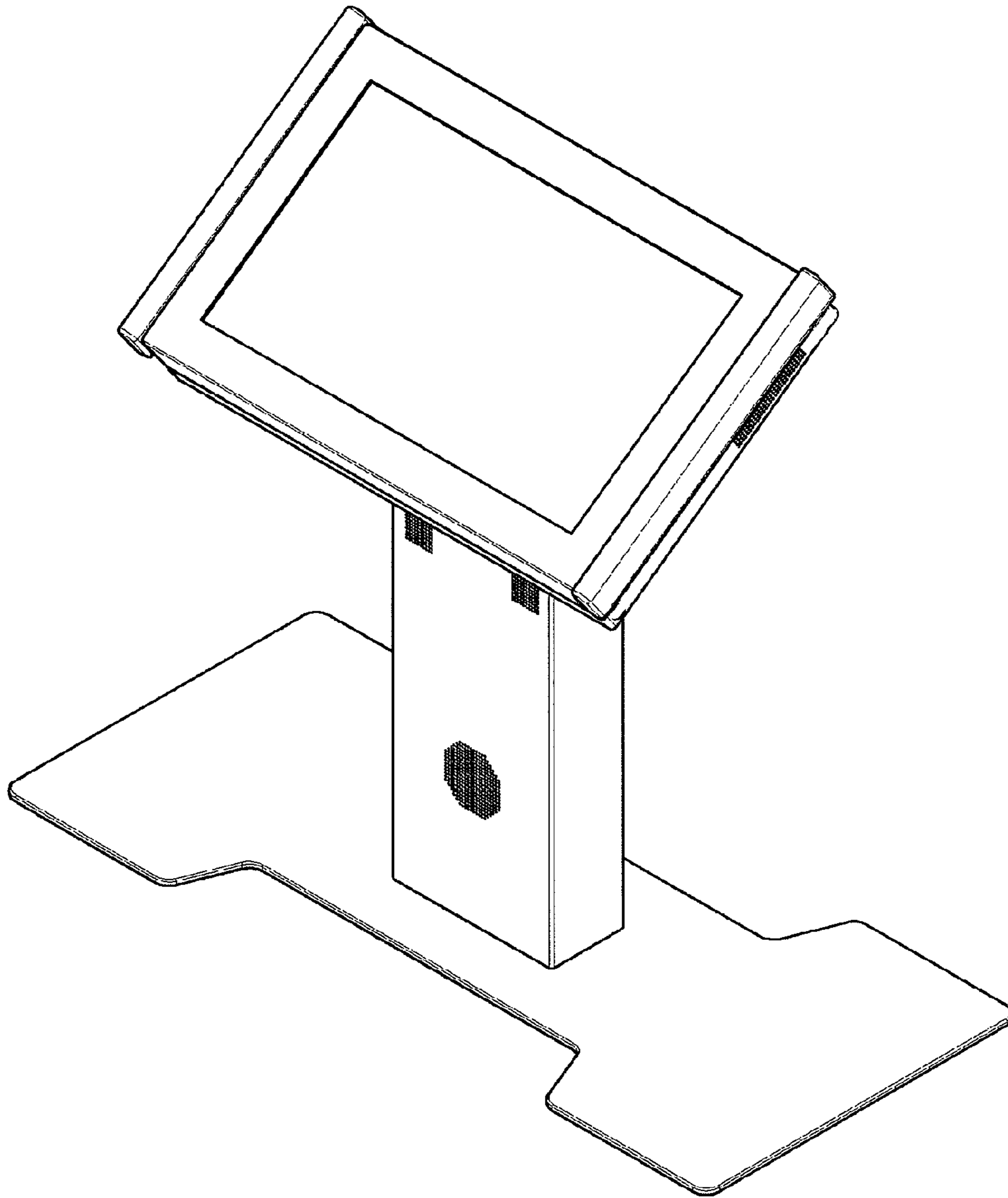


FIG. 1

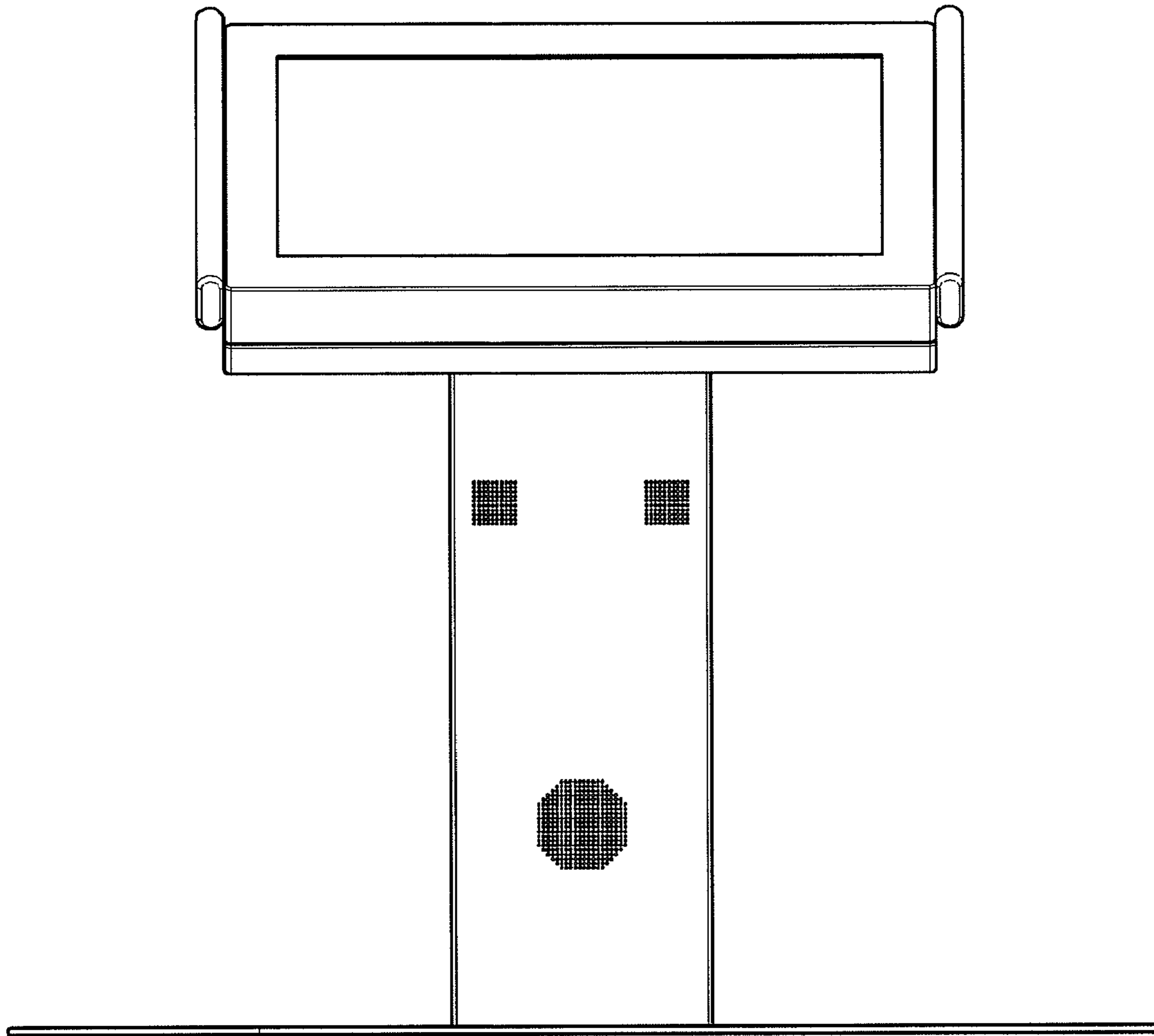


FIG. 2

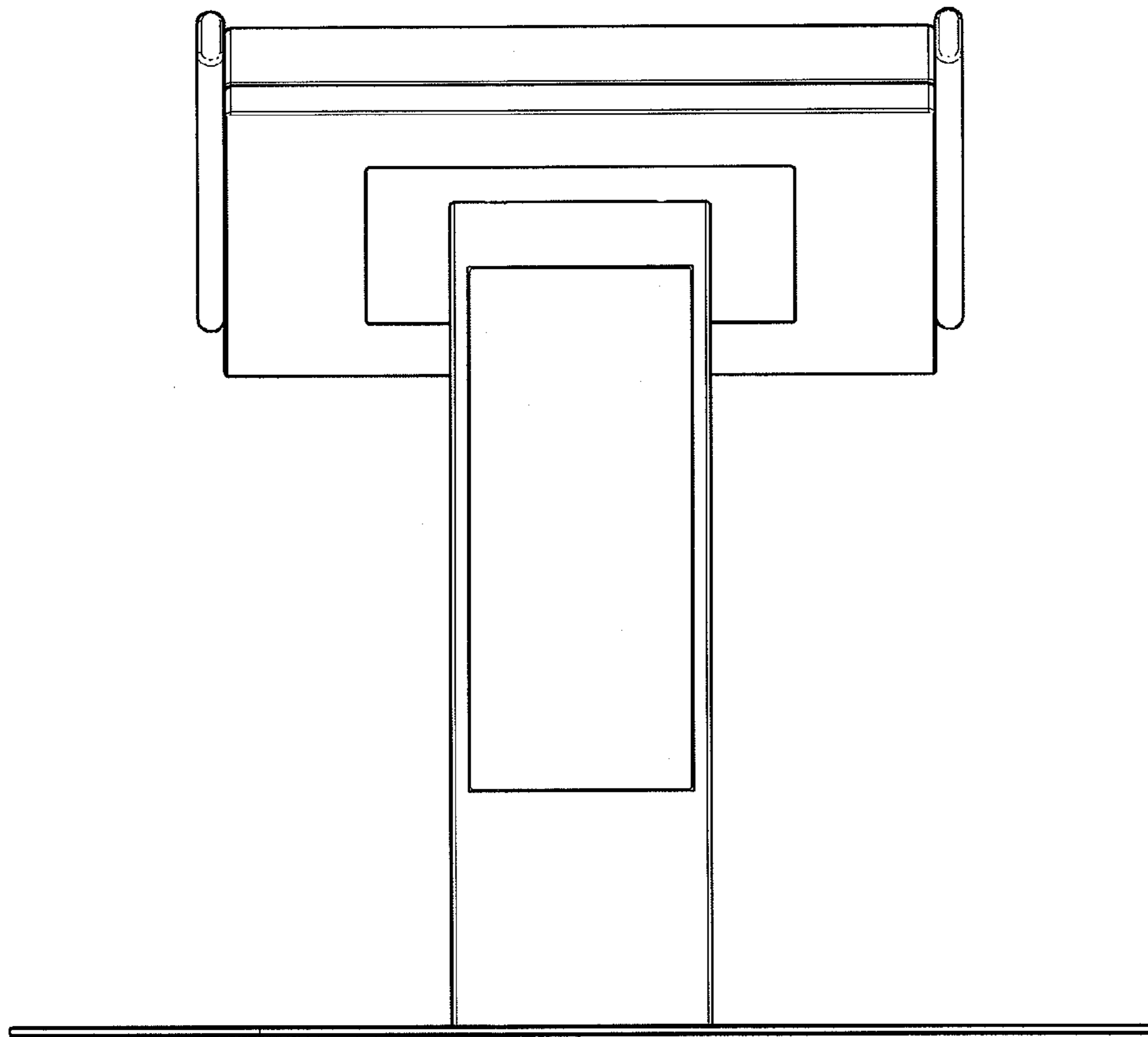


FIG. 3

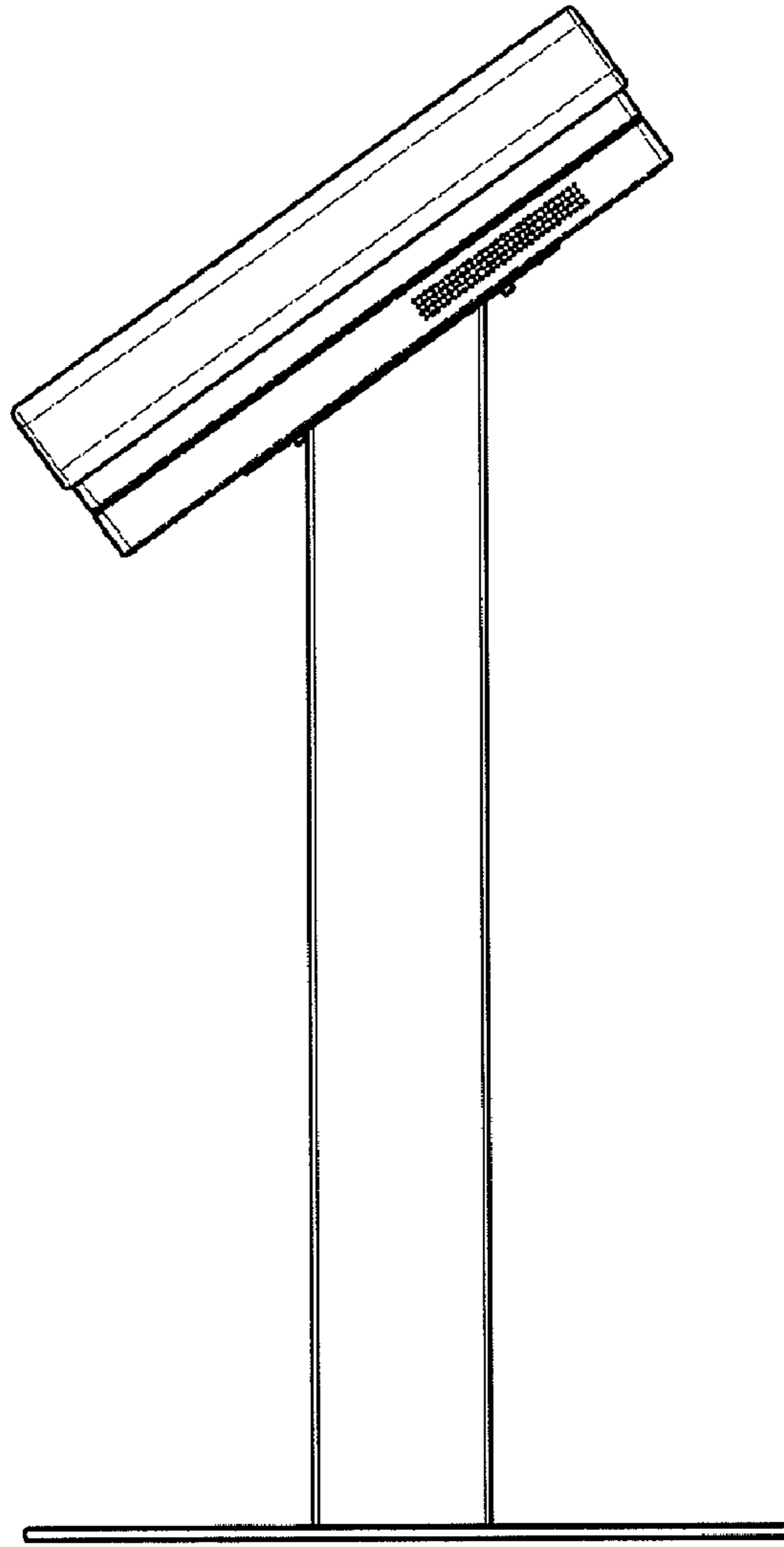


FIG. 4

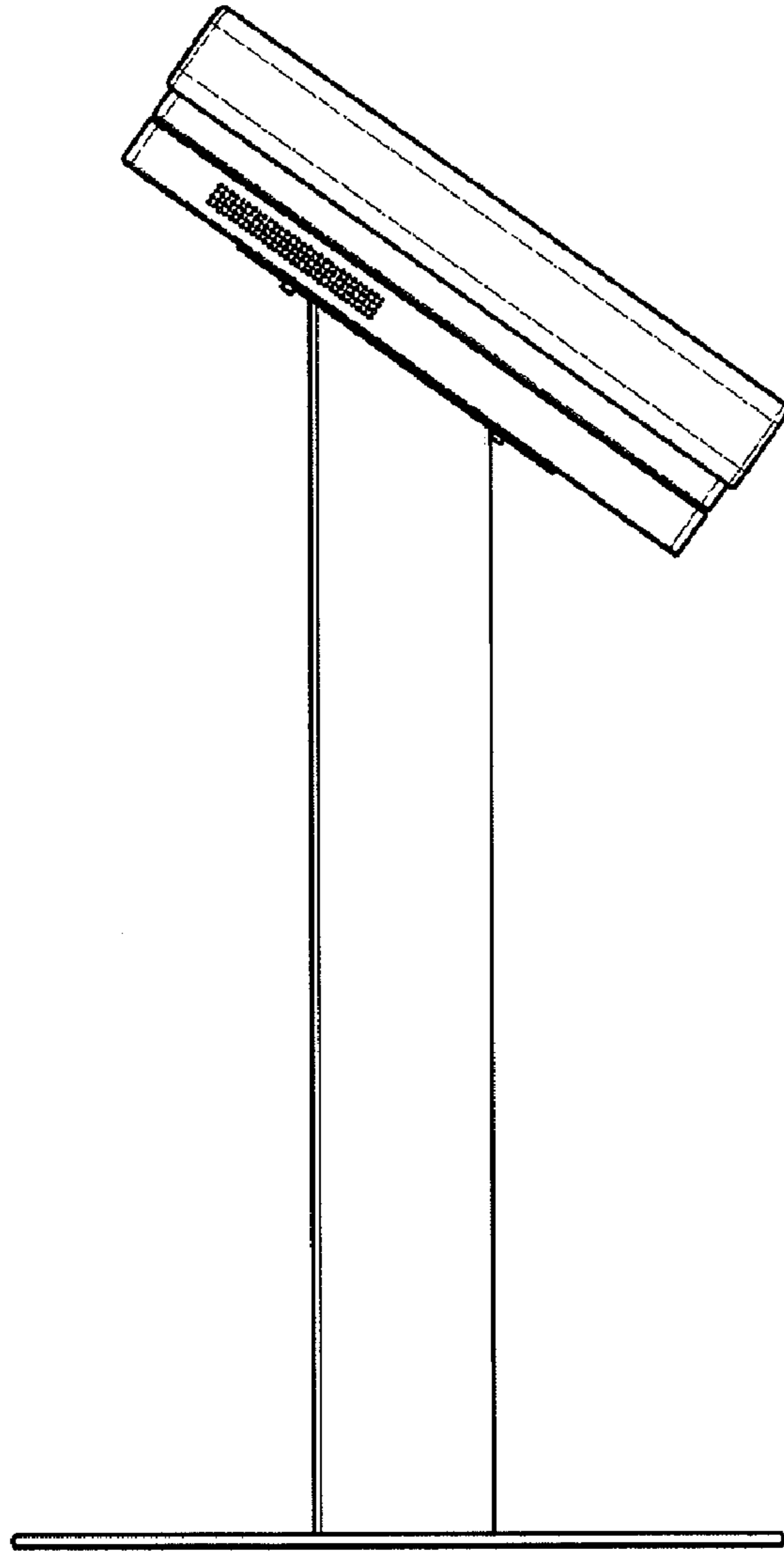


FIG. 5

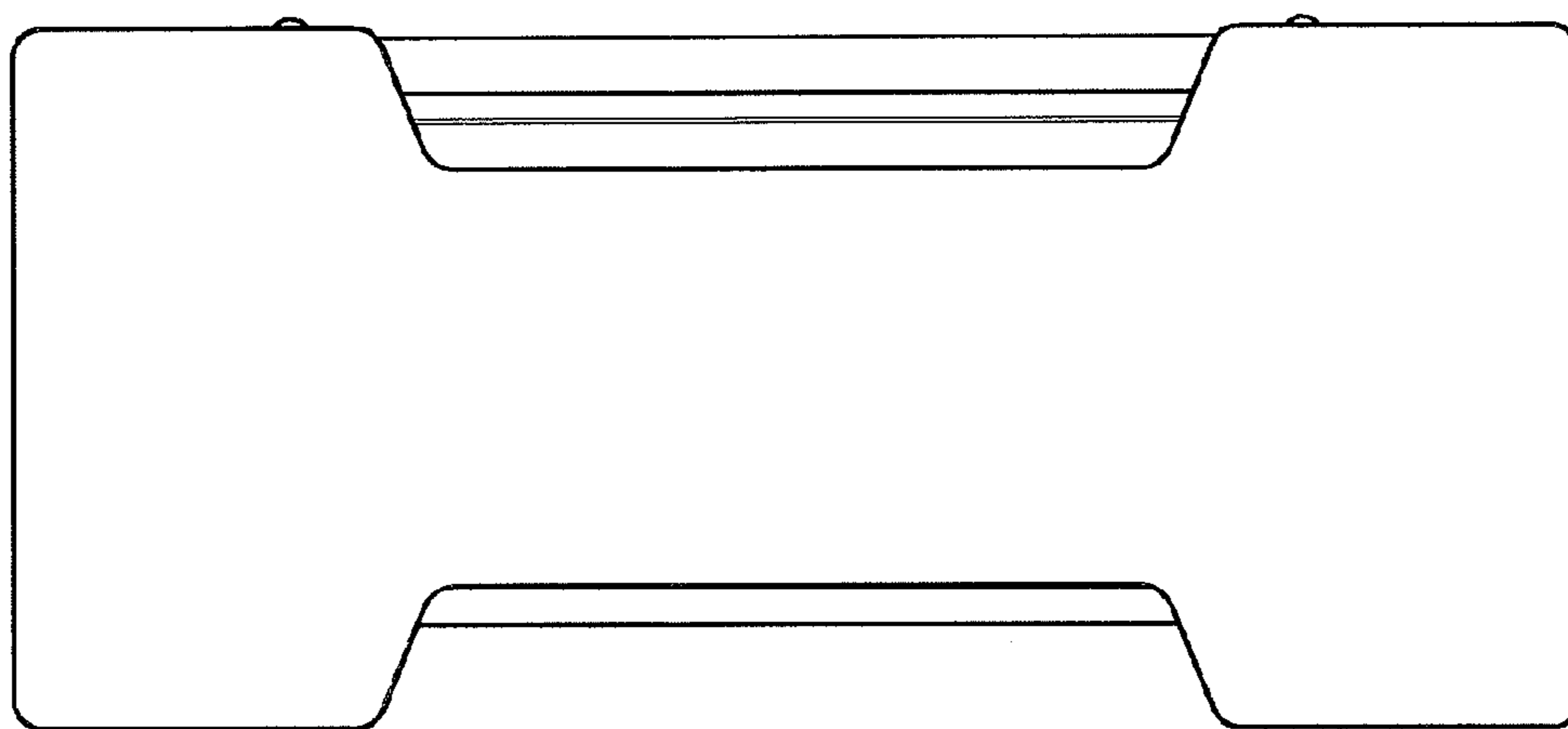


FIG. 6

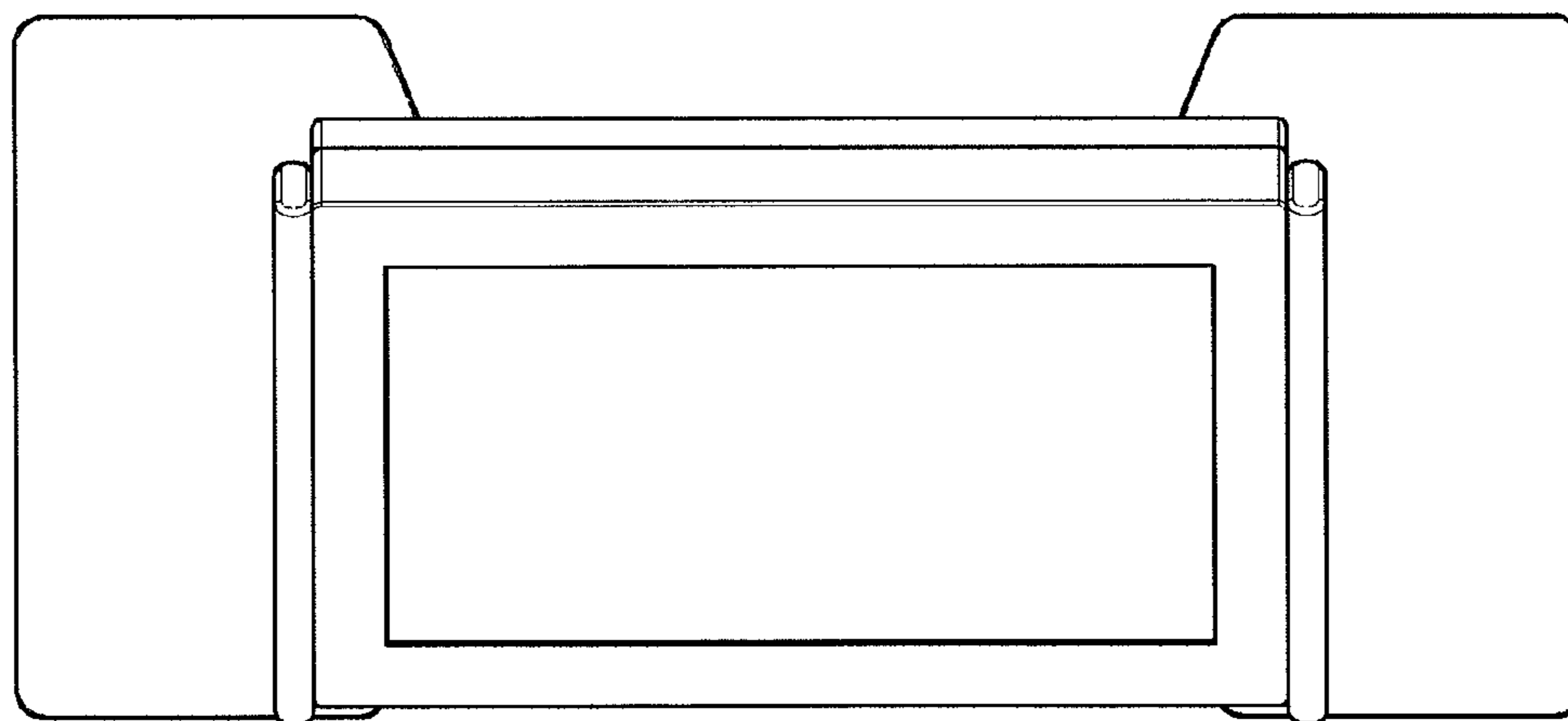


FIG. 7