



US00D669463S

(12) **United States Design Patent**  
**Yagihashi et al.**

(10) **Patent No.:** **US D669,463 S**

(45) **Date of Patent:** **\*\* Oct. 23, 2012**

(54) **VEHICLE PANEL**

(75) Inventors: **Tatsuya Yagihashi**, Tokyo (JP);  
**Mitsuhiro Uehara**, Tokyo (JP)

(73) Assignee: **Sony Corporation**, Tokyo (JP)

(\*\*) Term: **14 Years**

(21) Appl. No.: **29/347,426**

(22) Filed: **Dec. 31, 2009**

(30) **Foreign Application Priority Data**

Sep. 16, 2009 (EM) ..... 001611914-0001  
Sep. 16, 2009 (EM) ..... 001611914-0002  
Sep. 16, 2009 (EM) ..... 001611914-0003

(51) **LOC (9) Cl.** ..... **14-01**

(52) **U.S. Cl.** ..... **D14/258**

(58) **Field of Classification Search** ..... D14/496,  
D14/498-505, 137, 157, 168, 188, 197-198,  
D14/257-258, 432, 433; 360/99.02, 99.07;  
369/75.11, 75.21, 77.11, 77.21; 720/601,  
720/612, 619, 649, 655; 455/344, 347-351;  
D12/192; D7/306-311; D9/454, 434  
See application file for complete search history.

(56) **References Cited**

**U.S. PATENT DOCUMENTS**

5,848,042 A \* 12/1998 Takahashi et al. .... 720/647  
5,862,468 A \* 1/1999 Kim ..... 455/321  
D416,557 S 11/1999 Matsuoka  
D430,136 S 8/2000 Hattori et al.  
D441,351 S 5/2001 Ito et al.  
D468,718 S \* 1/2003 Cuvelier ..... D14/168  
D512,045 S 11/2005 Motoishi  
D512,980 S 12/2005 Zuehlsdorff et al.  
D516,539 S \* 3/2006 Masui ..... D14/168  
D521,974 S 5/2006 Katsumata  
D529,848 S 10/2006 Shigehara et al.  
D547,298 S 7/2007 Hibino  
D547,300 S 7/2007 Hibino  
D556,733 S 12/2007 Law  
D561,163 S \* 2/2008 Muto ..... D14/157  
D563,922 S \* 3/2008 Shiono ..... D14/505  
D565,043 S \* 3/2008 Shiono ..... D14/258  
D569,367 S \* 5/2008 Suzuki ..... D14/157

D571,270 S 6/2008 Nakajima  
D578,048 S 10/2008 Wyszogrod  
D582,910 S \* 12/2008 Ohtsuki et al. .... D14/258  
D585,420 S \* 1/2009 Suzuki ..... D14/157  
D591,720 S \* 5/2009 Motoishi ..... D14/168  
D602,301 S \* 10/2009 Romandy ..... D7/306  
D604,287 S \* 11/2009 Kimura et al. .... D14/258  
D635,970 S \* 4/2011 Ichikawa et al. .... D14/258

**FOREIGN PATENT DOCUMENTS**

JP D1307504 S 8/2007  
(Continued)

*Primary Examiner* — Prabhakar Deshmukh

(74) *Attorney, Agent, or Firm* — Rader, Fishman & Grauer  
PLLC

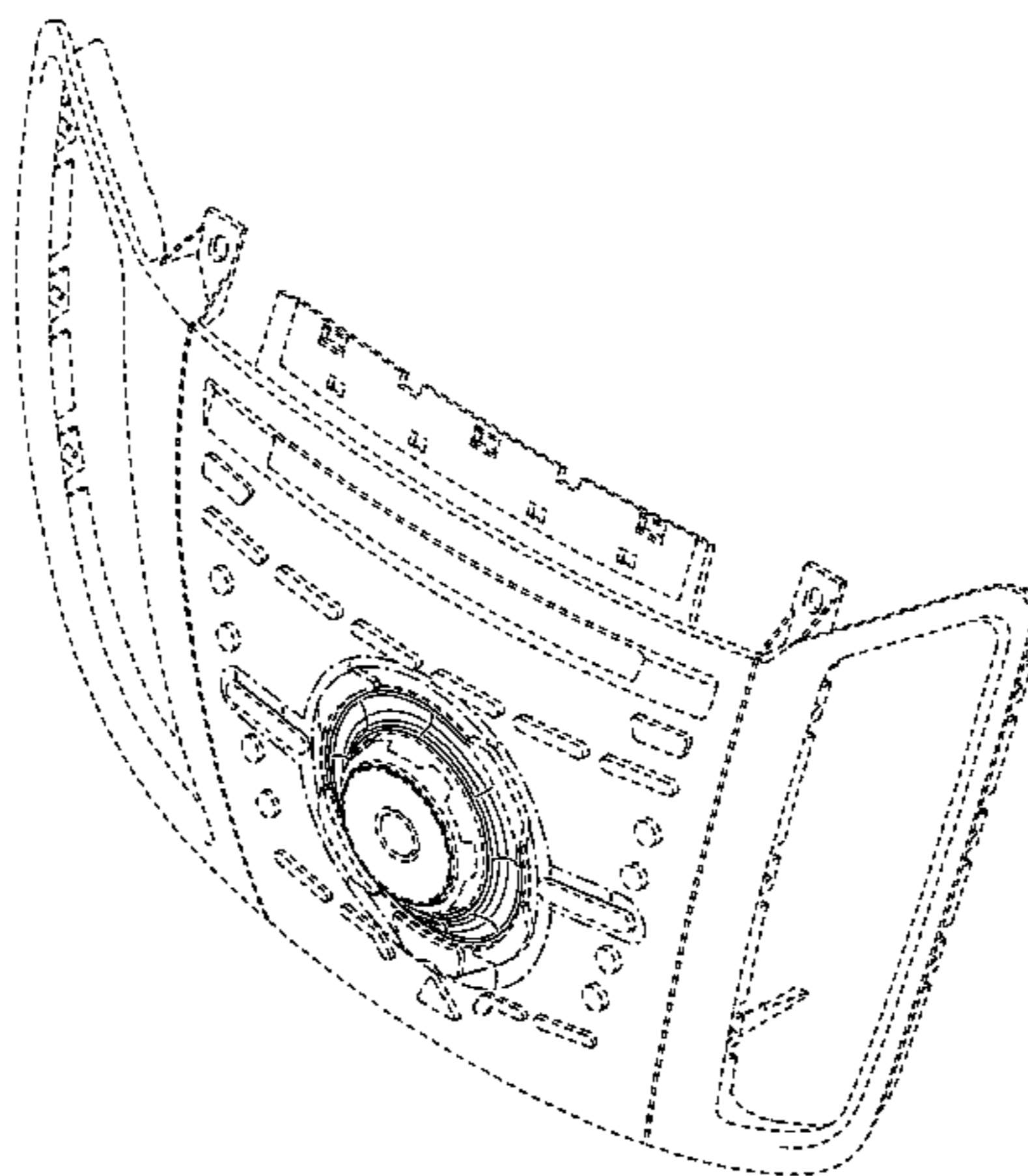
(57) **CLAIM**

The ornamental design for a vehicle panel, as shown and  
described.

**DESCRIPTION**

FIG. 1 is a perspective view of a vehicle panel showing our  
new design;  
FIG. 2 is a front elevational view thereof;  
FIG. 3 is a left side elevational view thereof;  
FIG. 4 is a right side elevational view thereof;  
FIG. 5 is a top plan view thereof; and  
FIG. 6 is a bottom plan view thereof.  
FIG. 7 is a perspective view of another embodiment of a  
vehicle panel showing our new design;  
FIG. 8 is a front elevational view thereof;  
FIG. 9 is a left side elevational view thereof;  
FIG. 10 is a right side elevational view thereof;  
FIG. 11 is a top plan view thereof; and  
FIG. 12 is a bottom plan view thereof.  
FIG. 13 is a perspective view of yet another embodiment of a  
vehicle panel showing our new design;  
FIG. 14 is a front elevational view thereof;  
FIG. 15 is a left side elevational view thereof;  
FIG. 16 is a right side elevational view thereof;  
FIG. 17 is a top plan view thereof; and,  
FIG. 18 is a bottom plan view thereof.  
Portions in broken lines are for illustrative purpose only and  
form no part of the claimed design. The dot-dash broken lines  
define but are not included in, the boundaries of the claimed  
design.

**1 Claim, 18 Drawing Sheets**



# US D669,463 S

Page 2

---

FOREIGN PATENT DOCUMENTS					
JP	D1336604 S	7/2008	JP	D1349423 S	1/2009
JP	D1336606 S	7/2008	JP	D1350211 S	2/2009
JP	D1344052 S	11/2008	JP	D1350213 S	2/2009
			* cited by examiner		

FIG.1

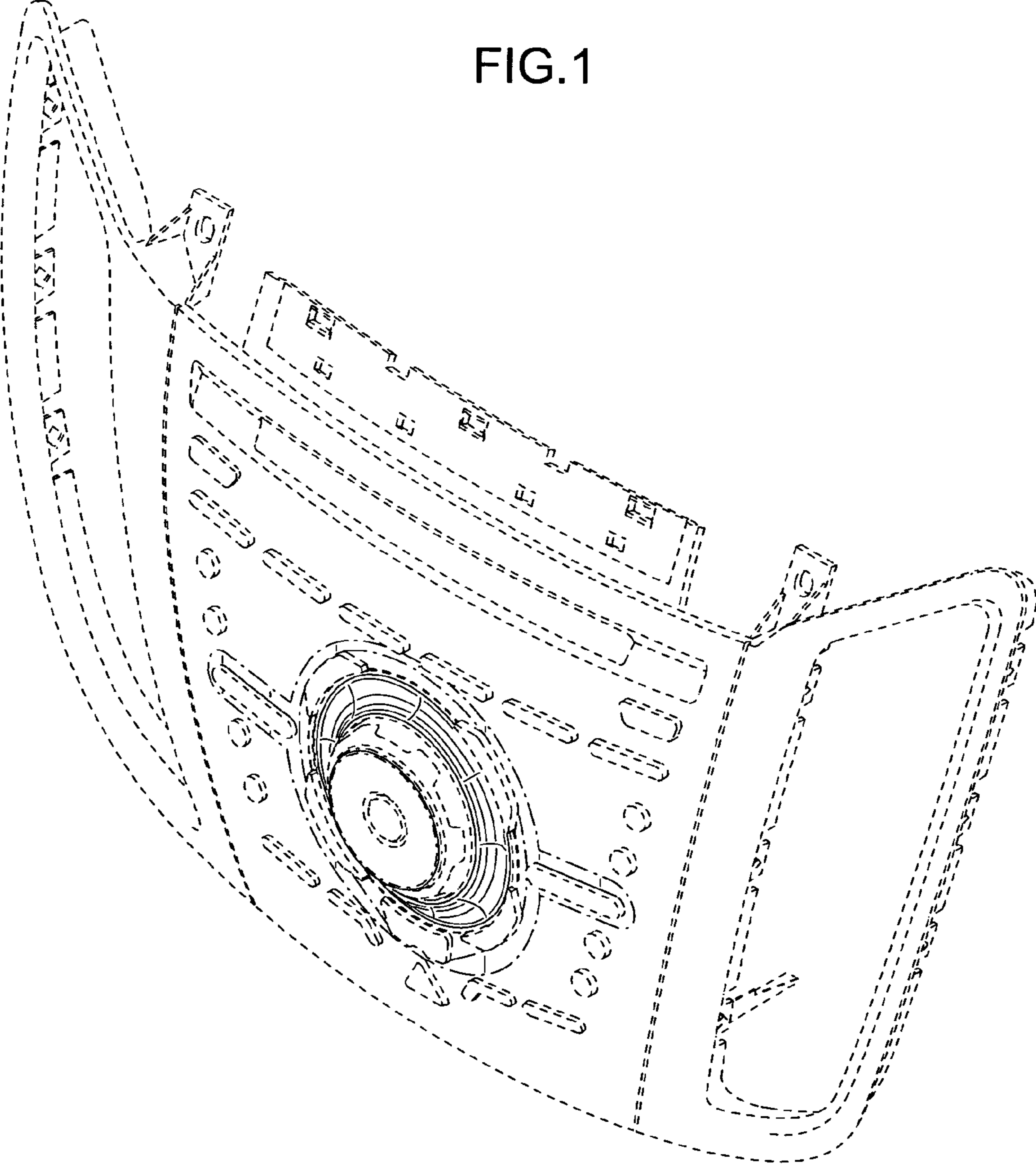


FIG.2

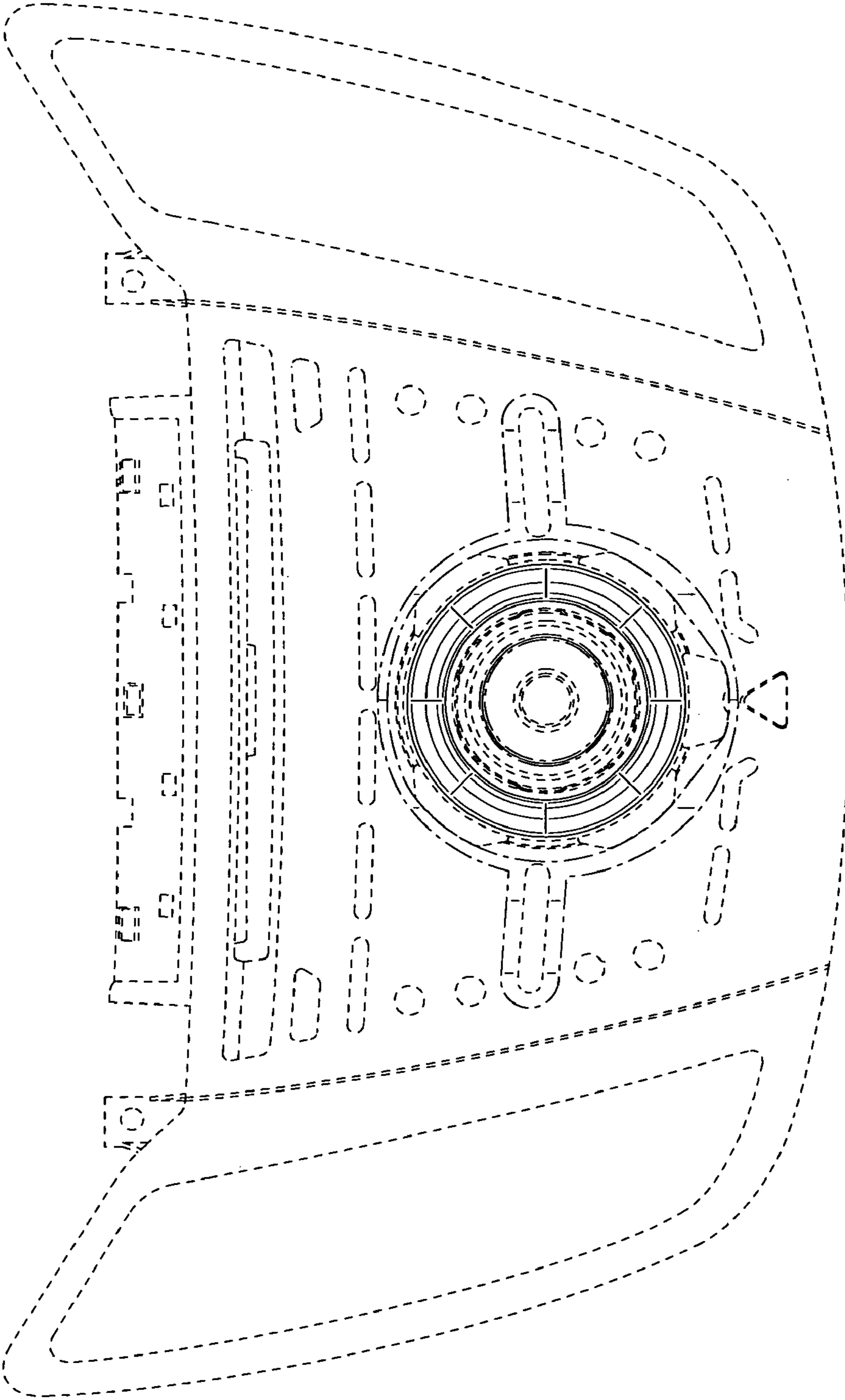


FIG.3

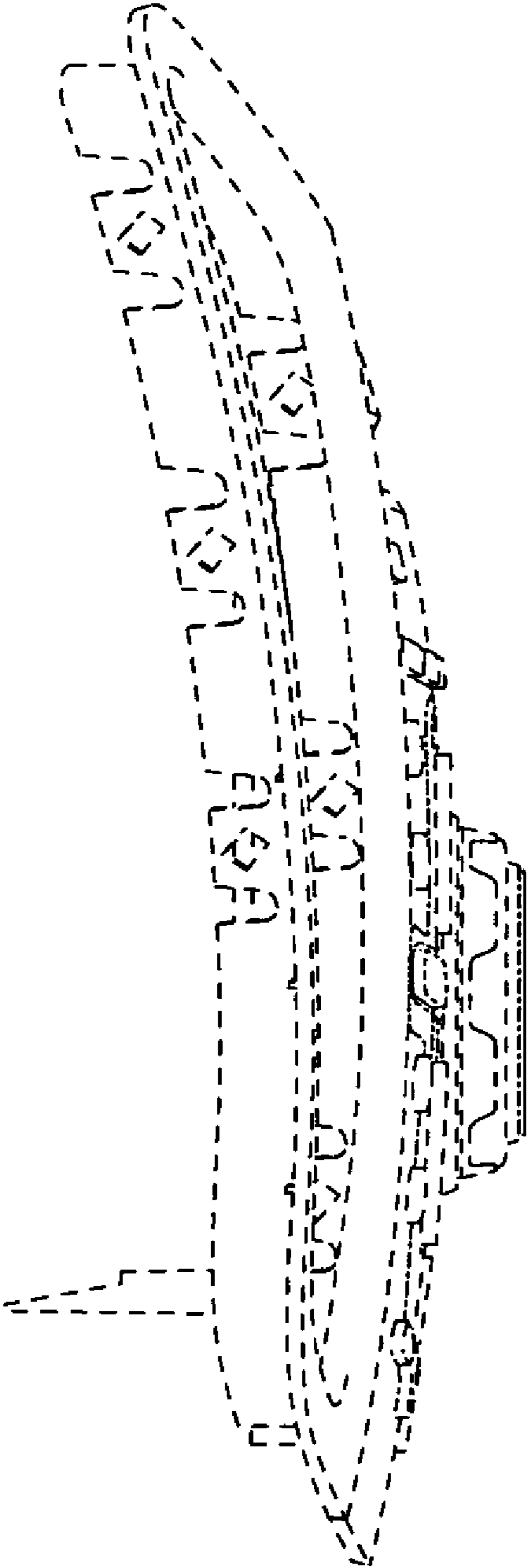


FIG.4

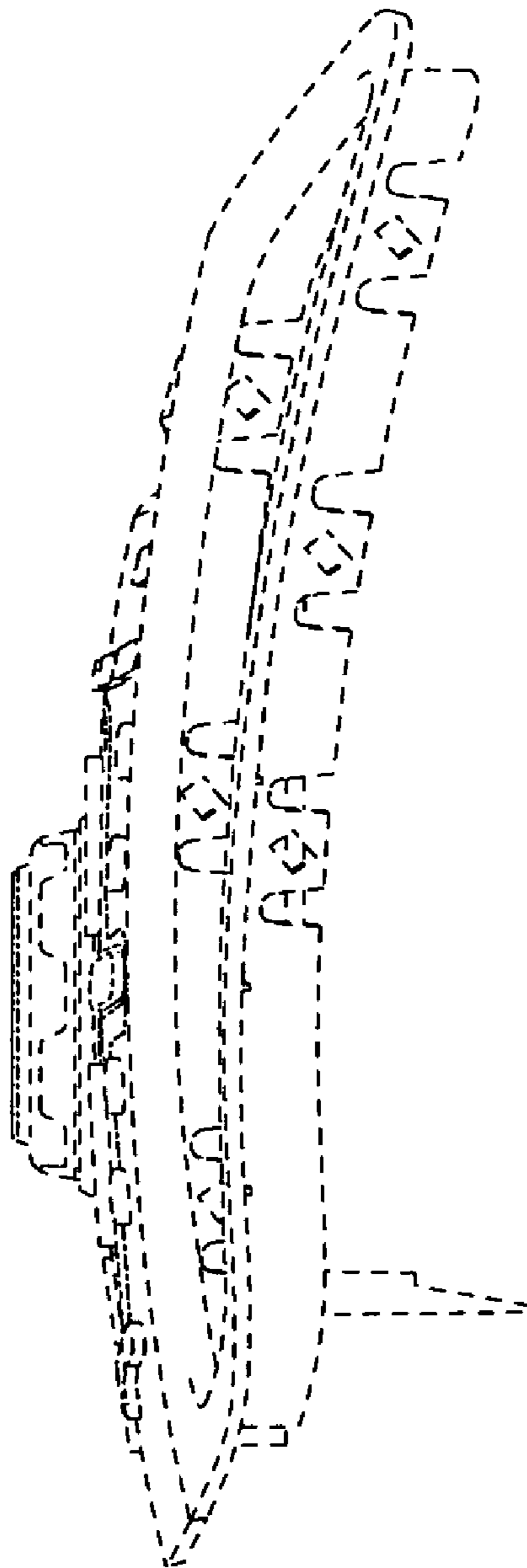


FIG.5



FIG.6

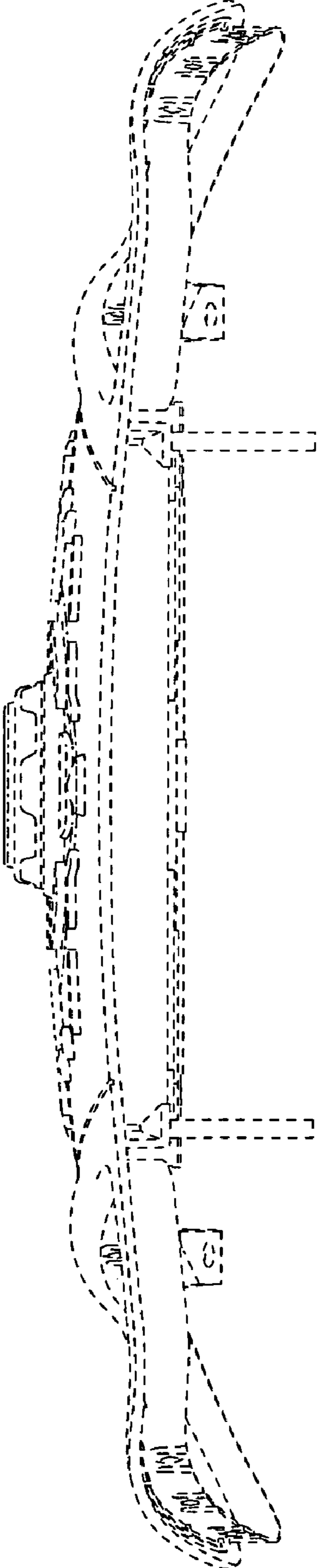




FIG.7

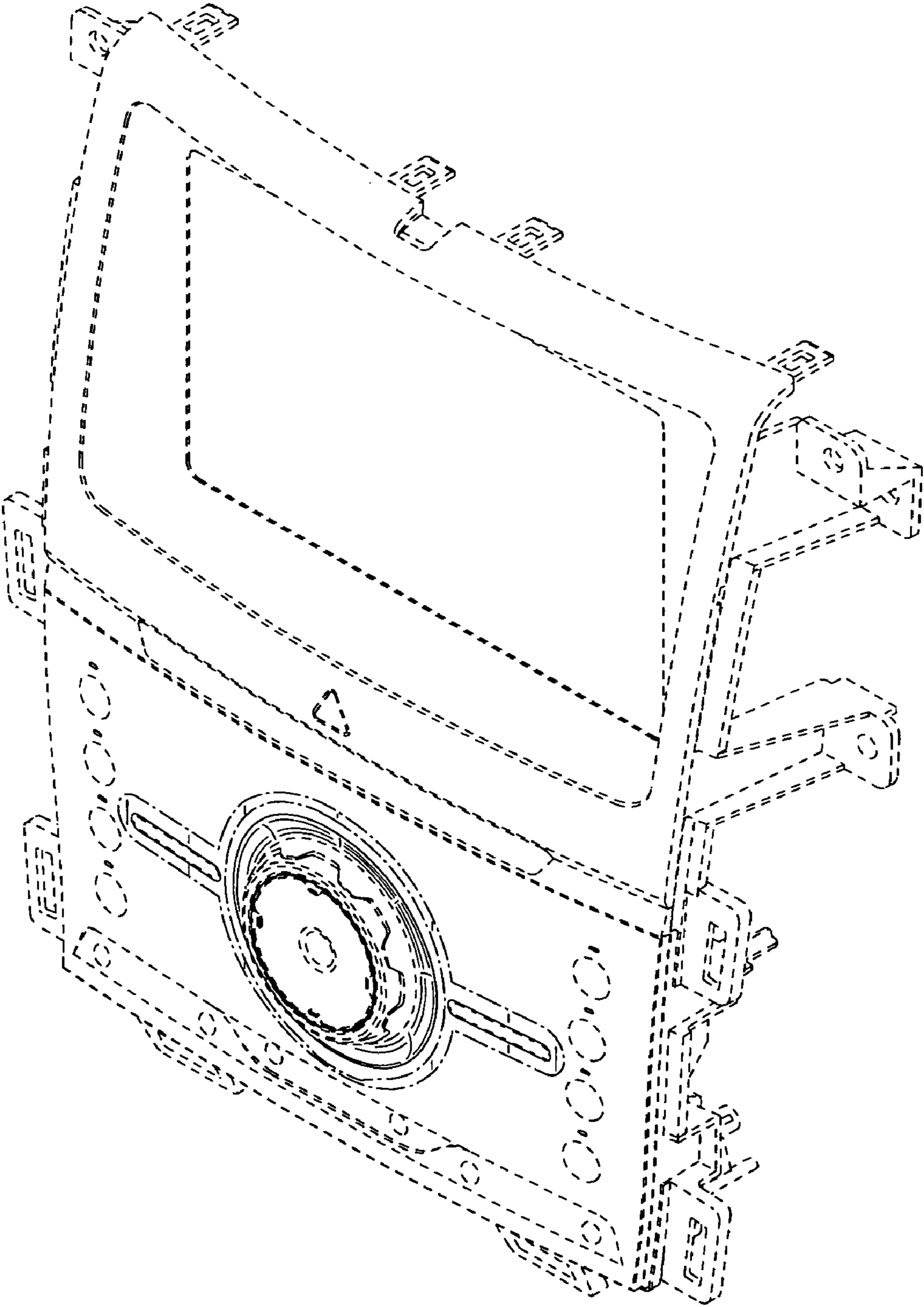


FIG.8

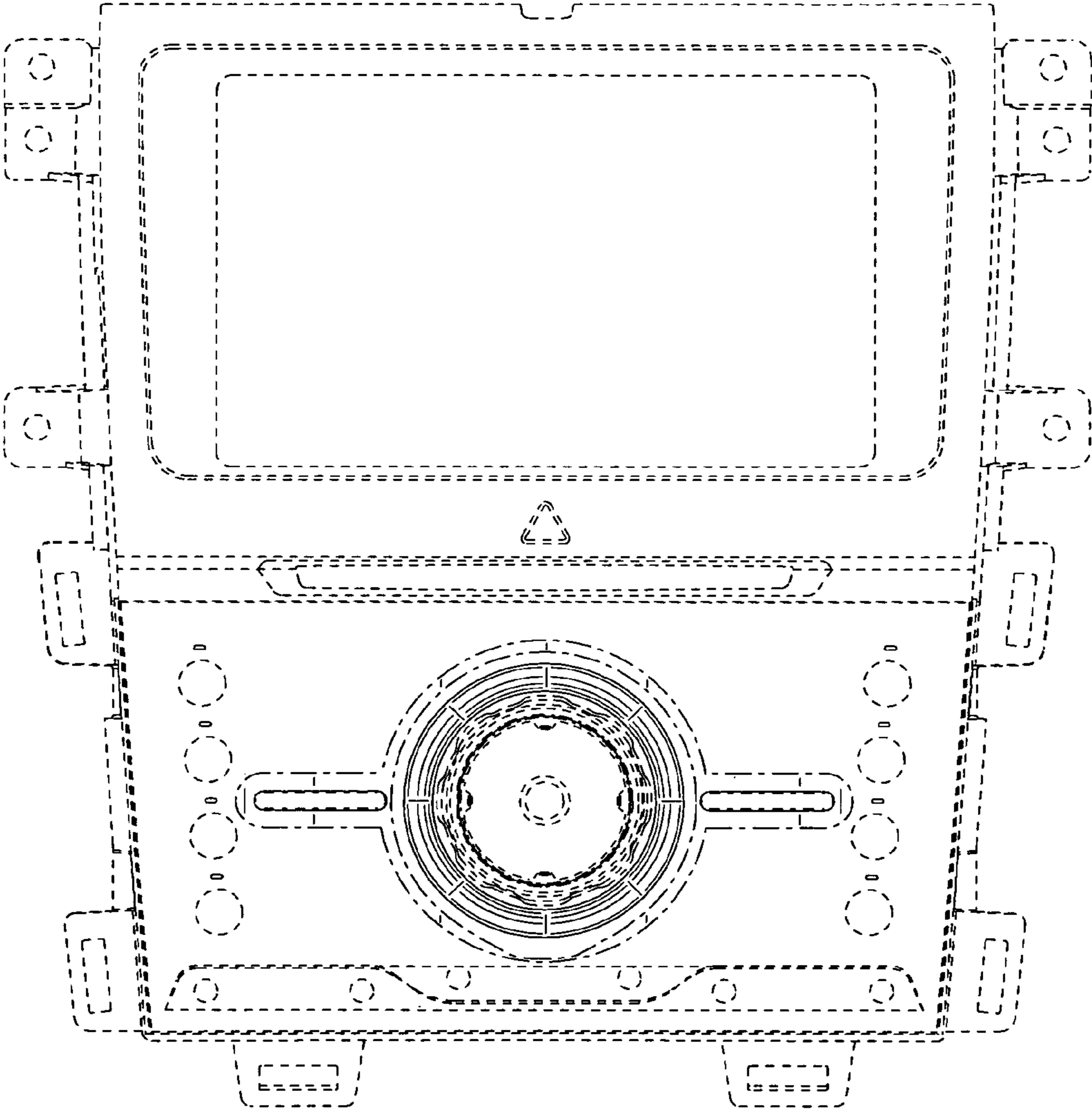


FIG.9

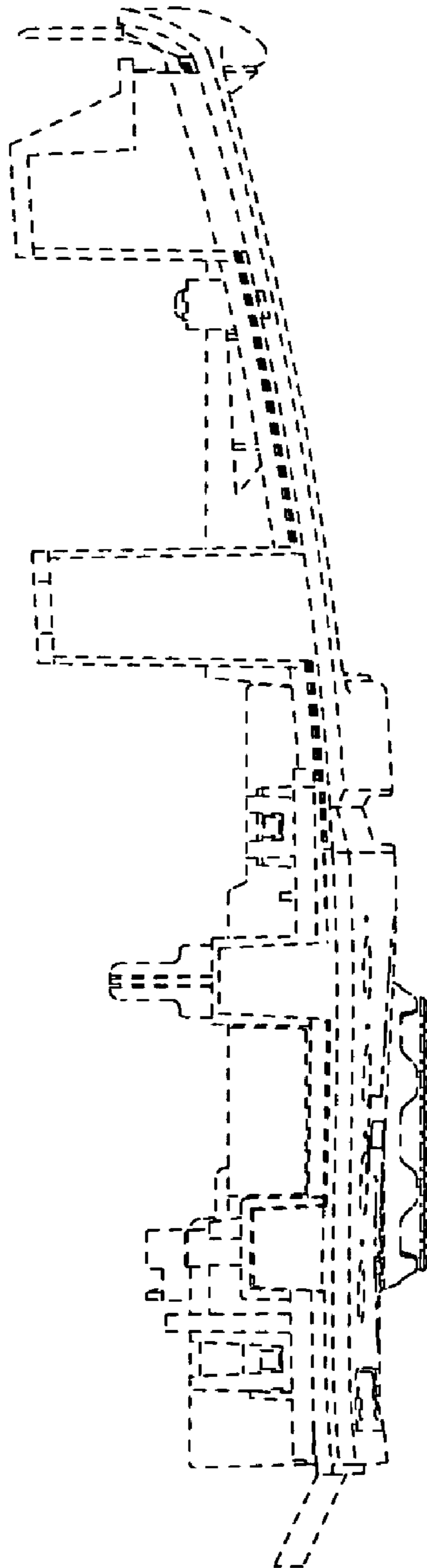


FIG. 10

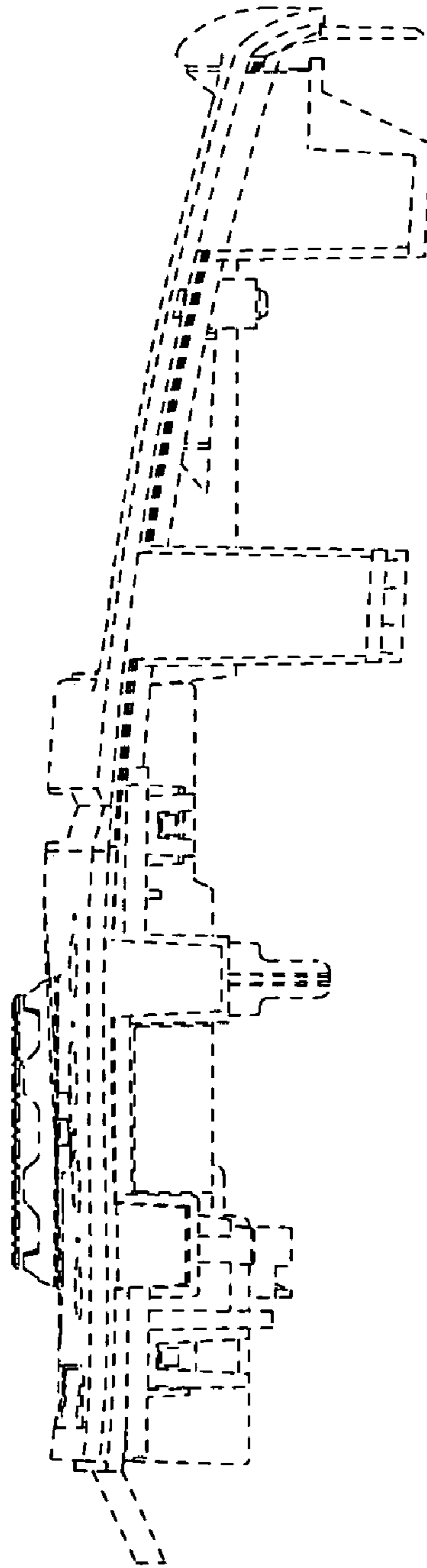


FIG.11

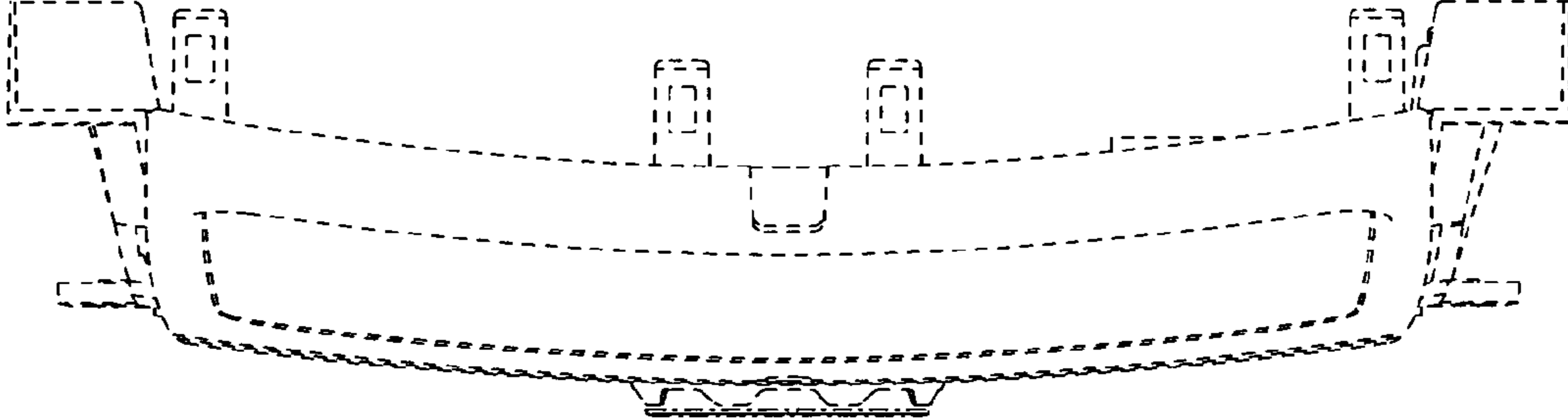


FIG.12

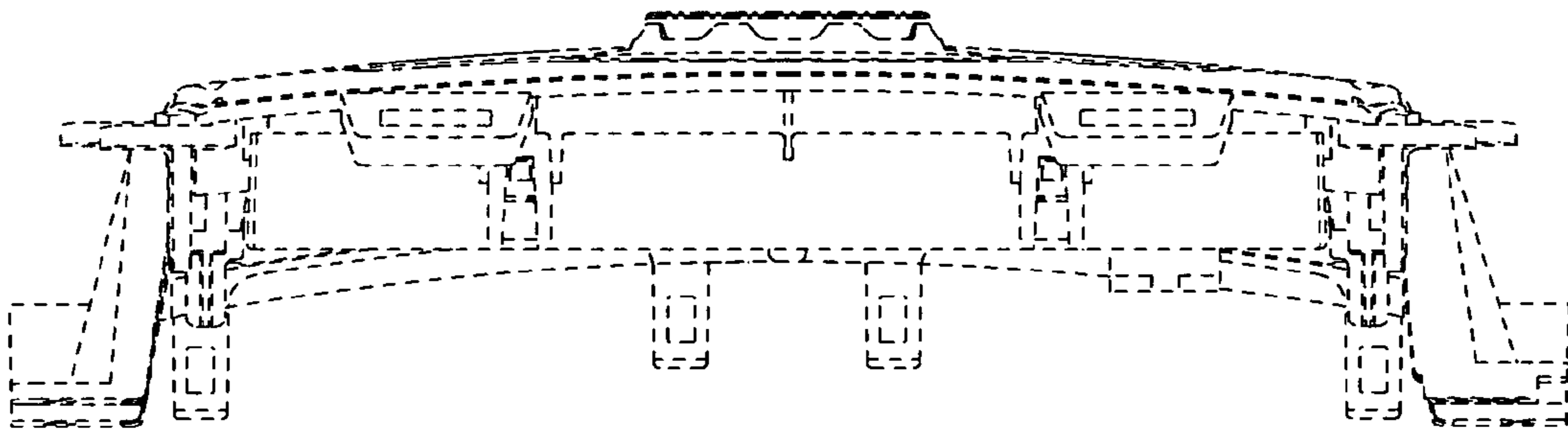


FIG.13

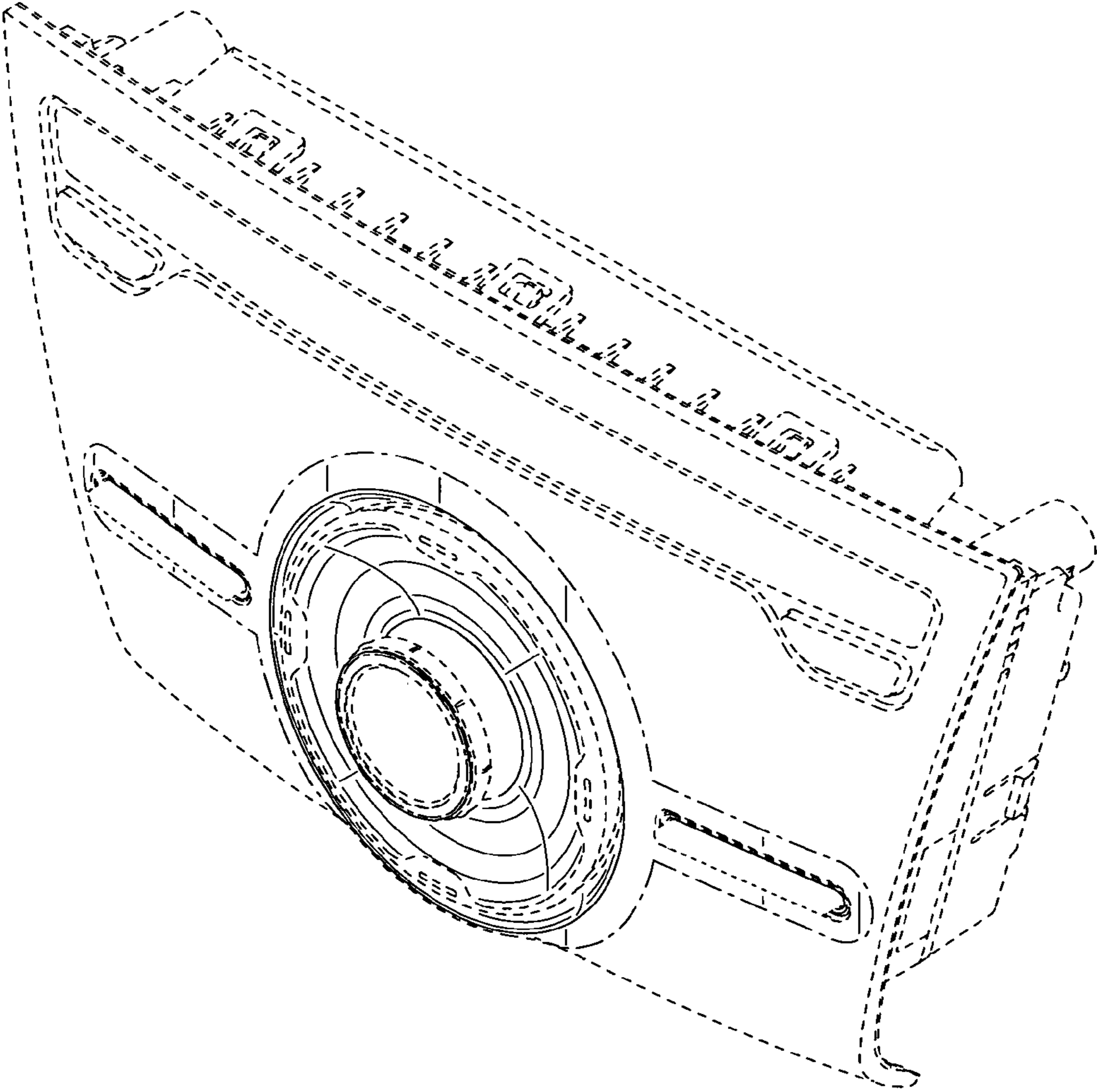
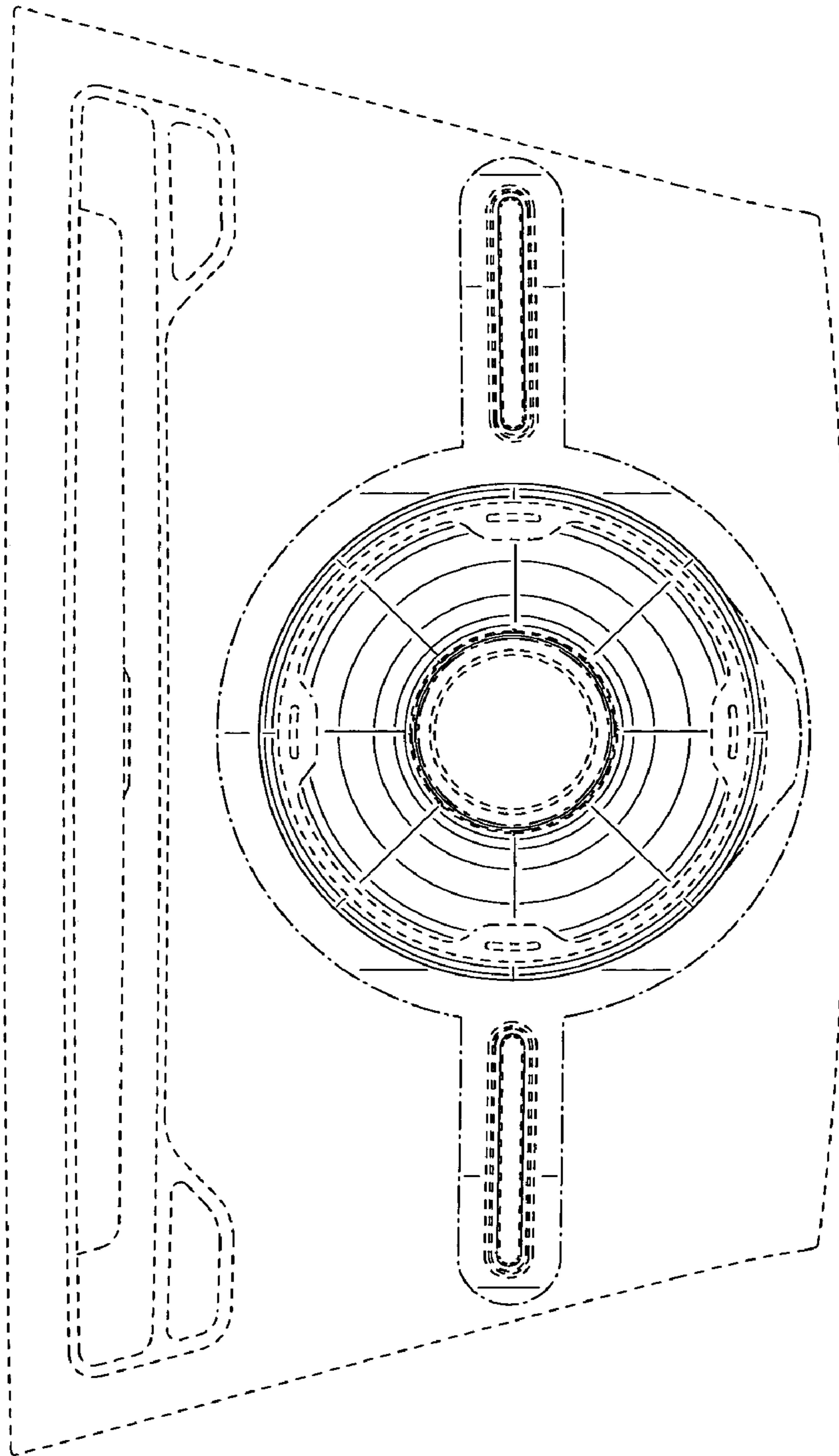


FIG.14





# FIG. 15

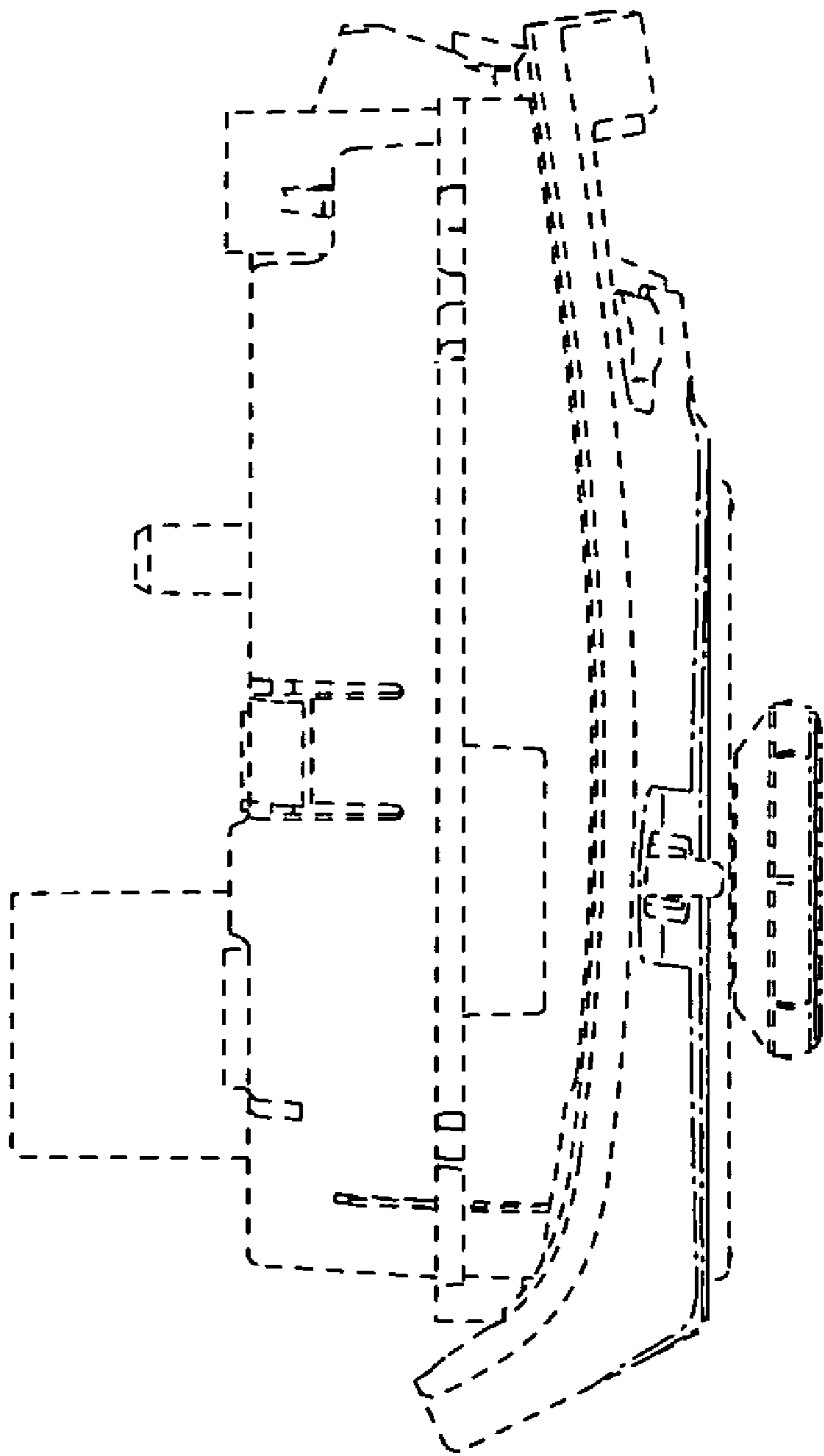


FIG. 16

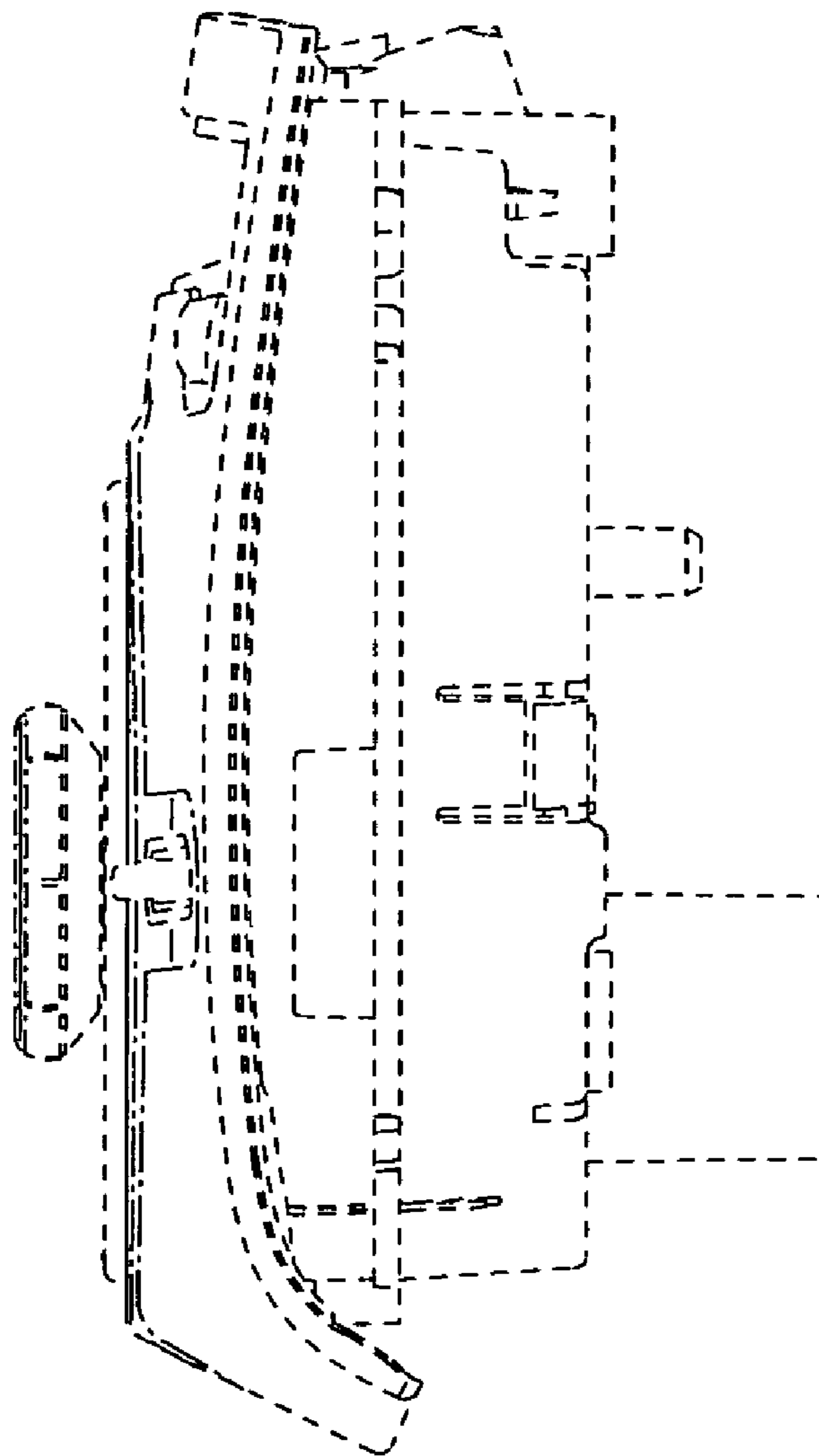


FIG.17

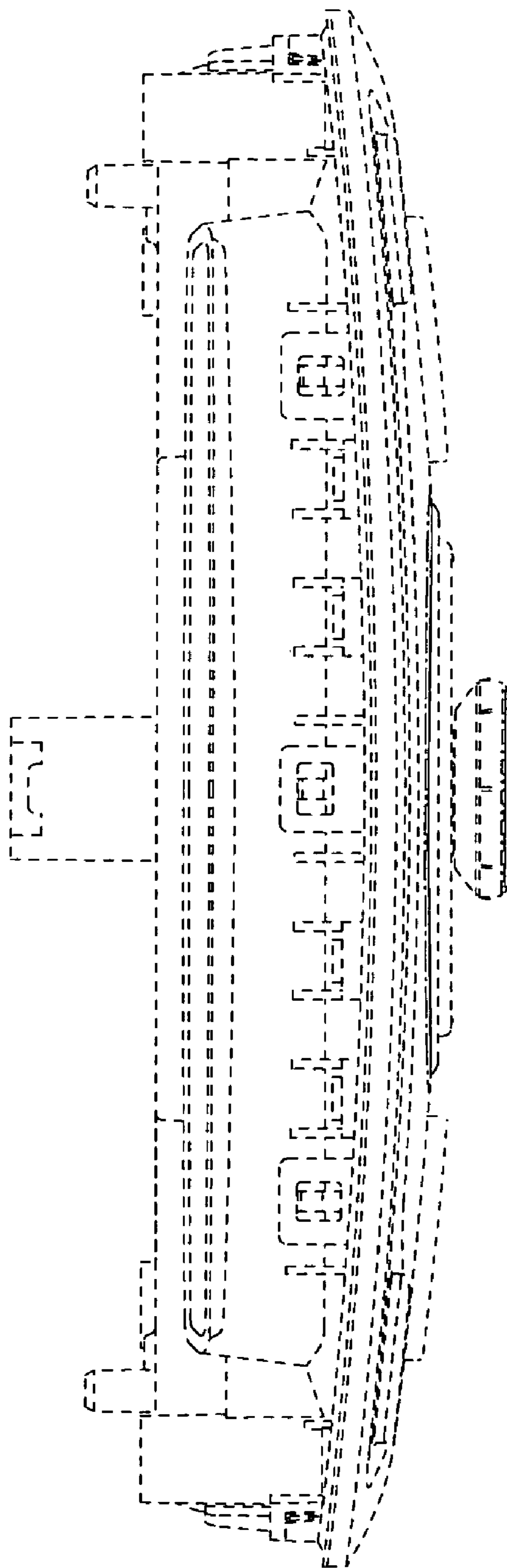


FIG.18

