



US00D669459S

(12) **United States Design Patent**  
**Kim**

(10) **Patent No.:** **US D669,459 S**

(45) **Date of Patent:** **\*\* Oct. 23, 2012**

(54) **VEHICLE MOUNT**

(75) Inventor: **Nam-Su Kim**, Seoul (KR)

(73) Assignee: **Samsung Electronics Co., Ltd.** (KR)

(\*\*) Term: **14 Years**

(21) Appl. No.: **29/387,587**

(22) Filed: **Mar. 15, 2011**

(30) **Foreign Application Priority Data**

Dec. 30, 2010 (KR) ..... 30-2010-0056770

(51) **LOC (9) Cl.** ..... **14-03**

(52) **U.S. Cl.** ..... **D14/253**

(58) **Field of Classification Search** ..... D14/140,  
D14/217, 224, 224.1, 229, 240, 243, 250-253,  
D14/299, 344, 434, 447, 451-452, 483, 496;  
D13/108; 361/679.41; 439/534; 320/115,  
320/116, 107; D8/355, 363; D12/415, 418;  
379/449, 455, 165; 248/122.1, 127, 157,  
248/205.8, 206.2, 279.1, 205.5, 309.1, 309.3,  
248/352; D3/201, 218, 269, 273, 301; D11/79;  
63/26

See application file for complete search history.

(56) **References Cited**

U.S. PATENT DOCUMENTS

7,407,143 B1 \* 8/2008 Chen ..... 248/309.1  
7,418,097 B2 \* 8/2008 Chang ..... 379/446  
7,537,190 B2 \* 5/2009 Fan ..... 248/309.1

D603,322 S \* 11/2009 Nicieja ..... D12/415  
7,672,701 B2 \* 3/2010 Piekarz ..... 455/575.9  
D614,613 S \* 4/2010 Kim et al. .... D14/253  
D627,771 S \* 11/2010 Smith et al. .... D14/253  
D640,679 S \* 6/2011 Willes et al. .... D14/250  
D646,315 S \* 10/2011 Orf ..... D16/242

\* cited by examiner

*Primary Examiner* — Raphael Barkai

*Assistant Examiner* — Randall Gholson

(74) *Attorney, Agent, or Firm* — NSIP Law

(57) **CLAIM**

The ornamental design for a vehicle mount, as shown and described.

**DESCRIPTION**

FIG. 1 is a perspective view of a vehicle mount;  
FIG. 2 is a front view of the vehicle mount of FIG. 1;  
FIG. 3 is a rear view of the vehicle mount of FIG. 1;  
FIG. 4 is a left-side view of the vehicle mount of FIG. 1;  
FIG. 5 is a right-side view of the vehicle mount of FIG. 1;  
FIG. 6 is a top plan view of the vehicle mount of FIG. 1;  
FIG. 7 is a bottom plan view of the vehicle mount of FIG. 1;  
and,  
FIG. 8 is a perspective view of the vehicle mount of FIG. 1 in which a mobile phone is shown in broken lines to illustrate an example of how the mobile phone may be docketed to the vehicle mount. The broken lines showing the mobile phone is for illustrative purpose only and form no part of the claimed design.

**1 Claim, 6 Drawing Sheets**

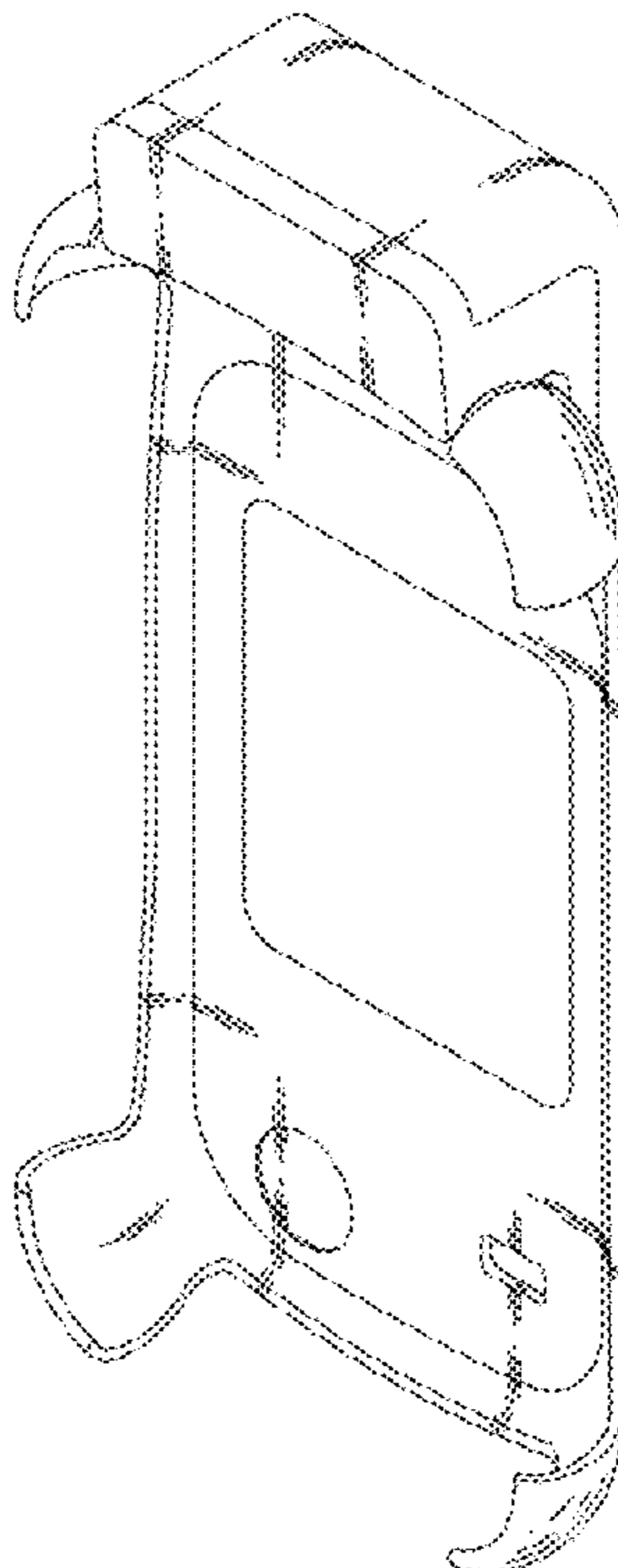


FIG. 1

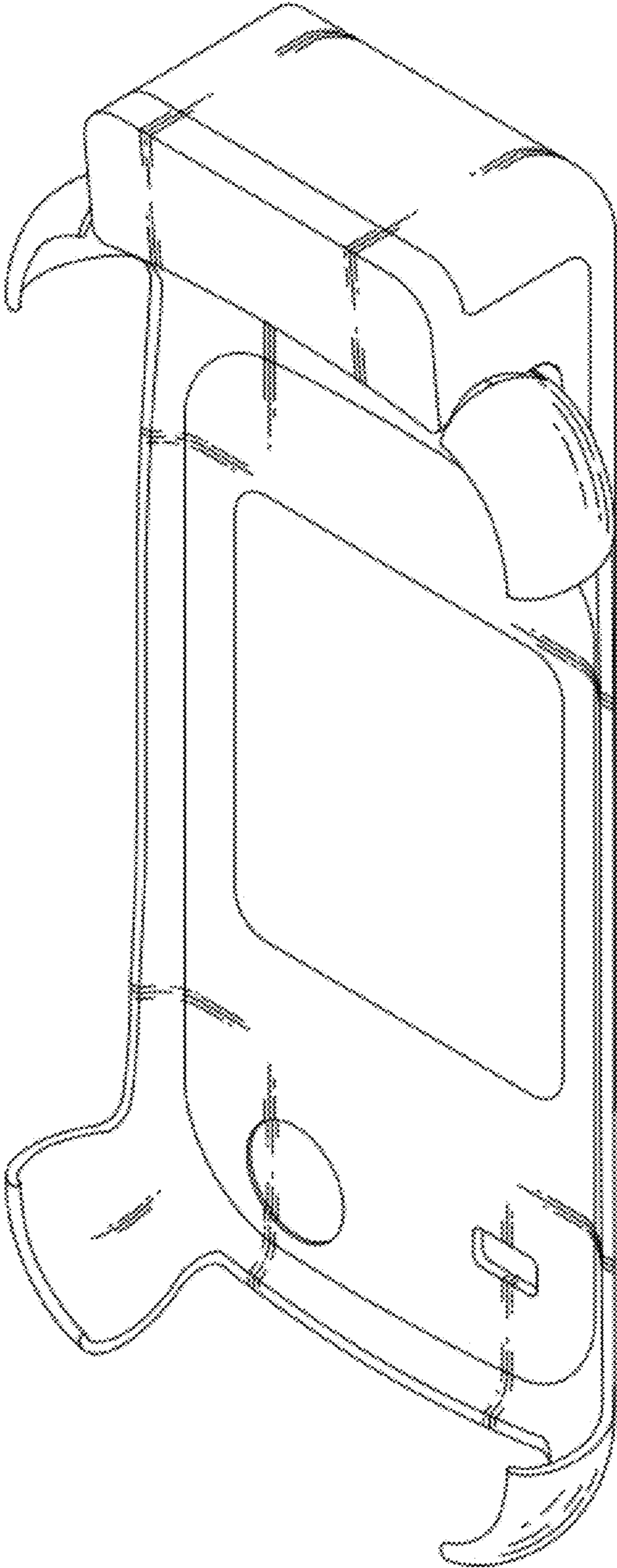


FIG. 2

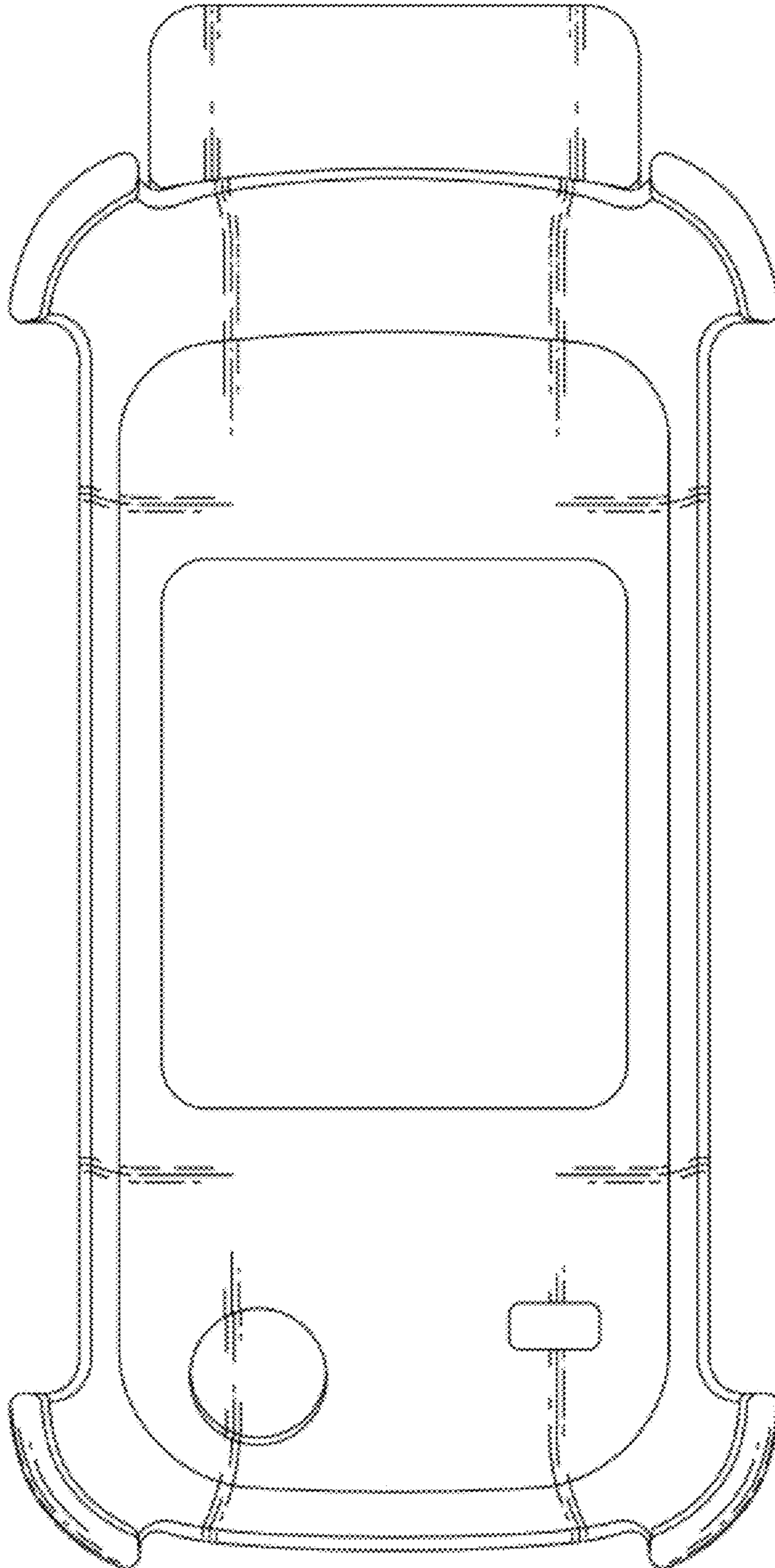




FIG. 3

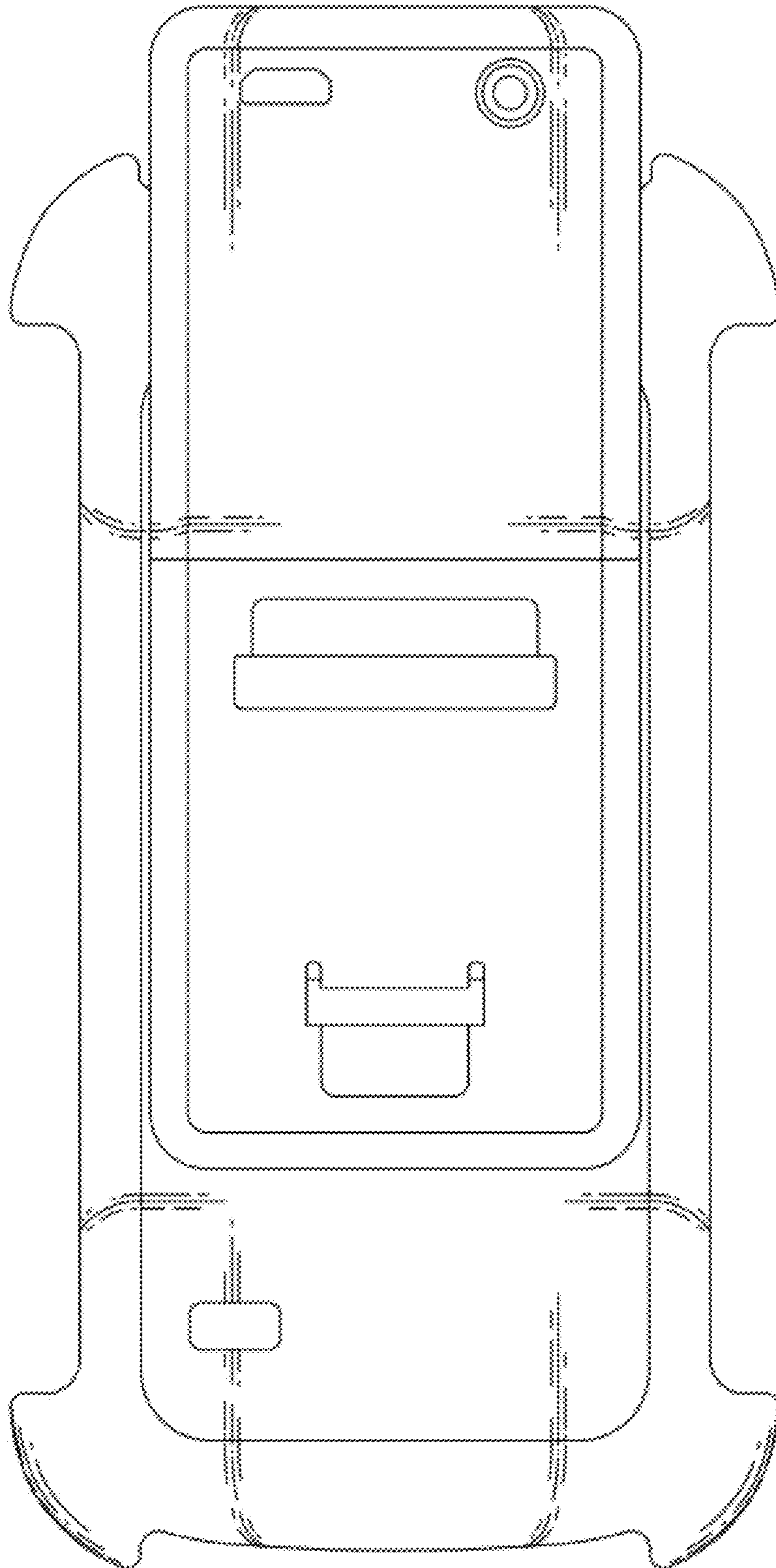


FIG. 4

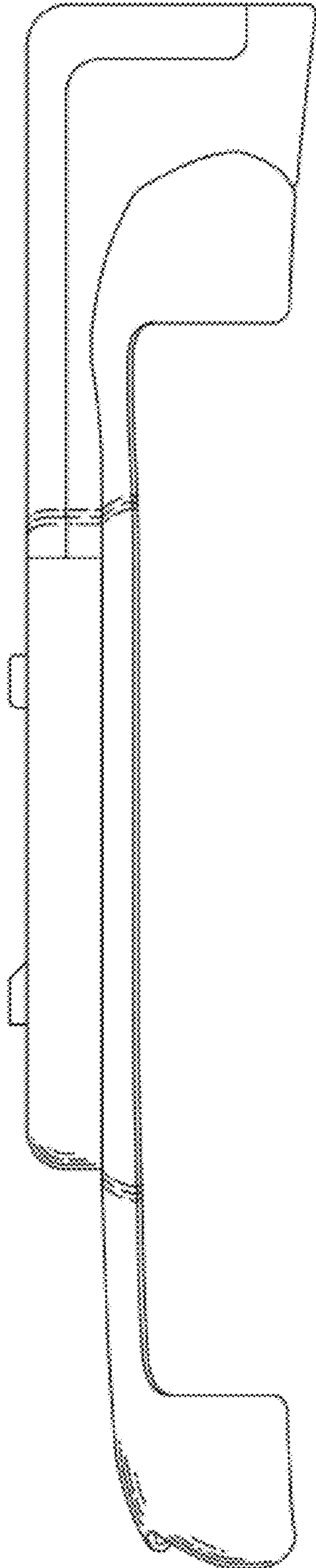


FIG. 5

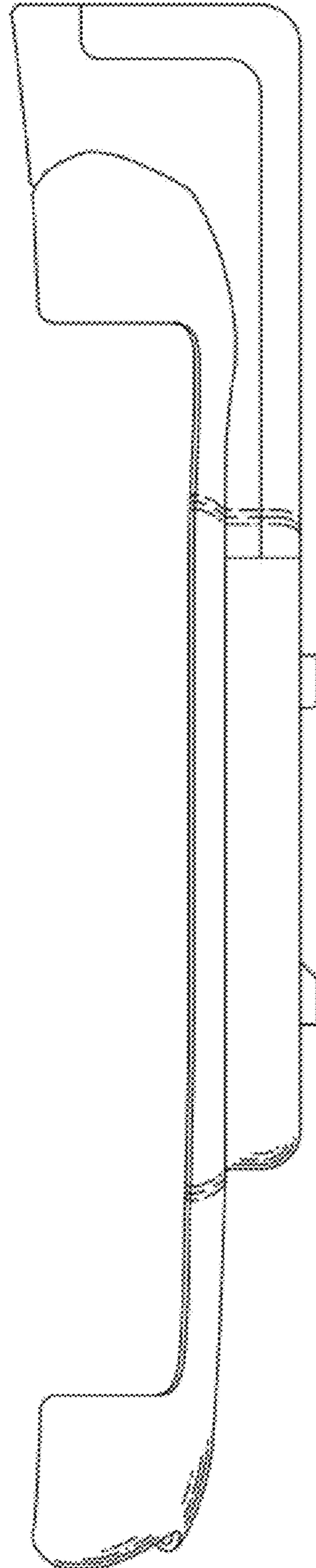


FIG. 6

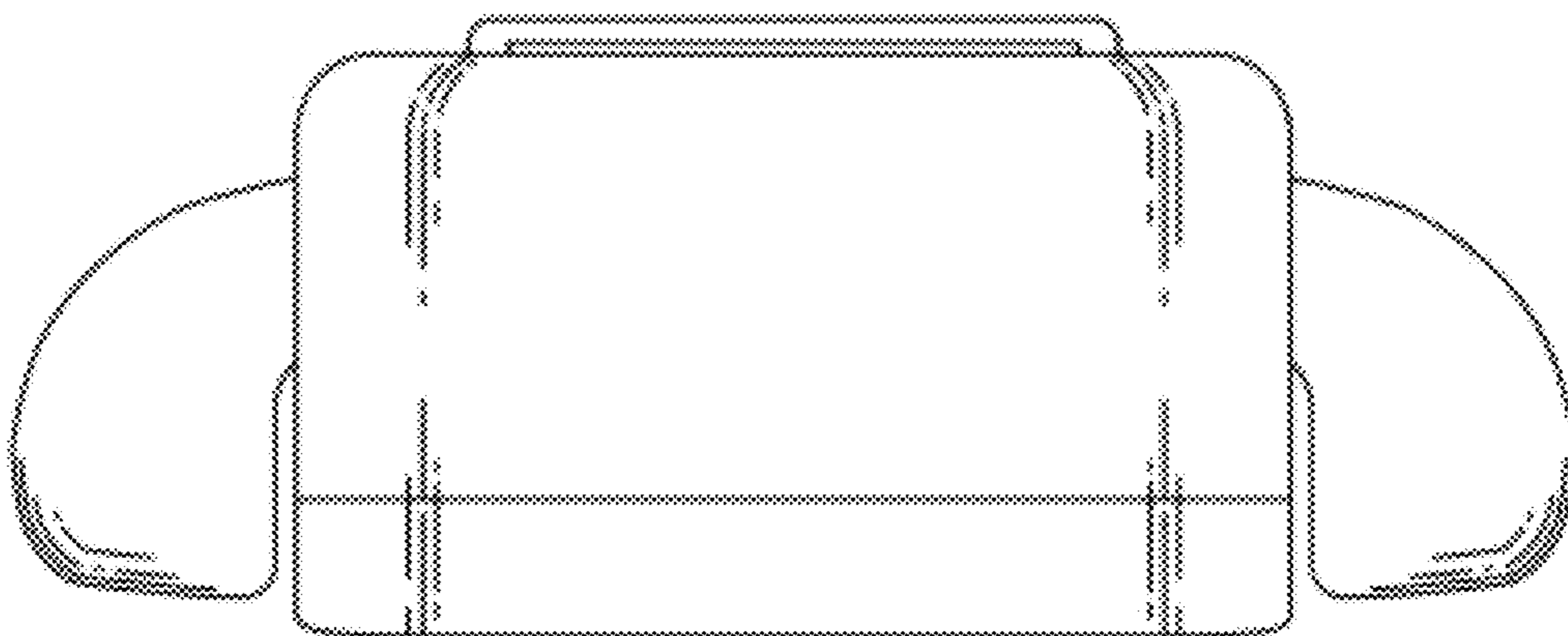


FIG. 7

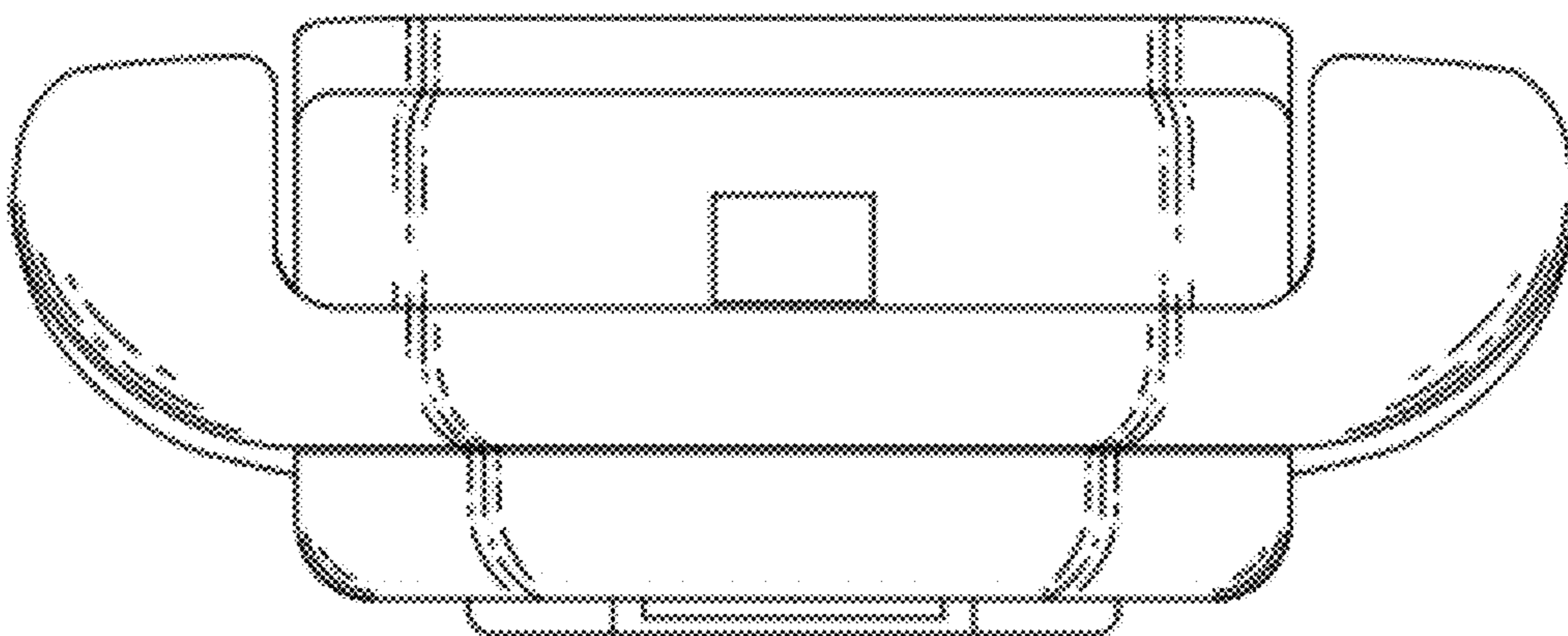


FIG. 8

