



US00D669454S

(12) **United States Design Patent**  
**King et al.**

(10) **Patent No.:** **US D669,454 S**

(45) **Date of Patent:** **\*\* Oct. 23, 2012**

(54) **SATELLITE TELEVISION ANTENNA**

(56) **References Cited**

(75) Inventors: **Lael King**, Minneapolis, MN (US); **Sam Shuster**, Minneapolis, MN (US)

(73) Assignee: **King Controls**, Bloomington, MN (US)

(\*\*) Term: **14 Years**

(21) Appl. No.: **29/407,959**

(22) Filed: **Dec. 5, 2011**

**Related U.S. Application Data**

(63) Continuation of application No. 12/495,348, filed on Jun. 30, 2009, which is a continuation-in-part of application No. 11/960,657, filed on Dec. 19, 2007, now Pat. No. 7,595,764.

(51) **LOC (9) Cl.** ..... **14-03**

(52) **U.S. Cl.** ..... **D14/230; D14/231; D14/233; D14/238**

(58) **Field of Classification Search** ..... **D14/230-238, D14/299, 358, 138; 343/700 R-705, 840, 343/841, 871-908, 711-713, 819, 795, 846; 455/90.2, 90.3, 91, 128, 269, 345, 562.1, 455/575.9; D12/106, 410, 413, 172**

See application file for complete search history.

U.S. PATENT DOCUMENTS

6,023,245	A *	2/2000	Gomez et al.	343/725
D470,480	S *	2/2003	Ikeda	D14/230
D470,482	S *	2/2003	Ikeda	D14/230
D480,712	S *	10/2003	Noro	D14/230
D535,648	S *	1/2007	Miura	D14/233
D623,633	S *	9/2010	Bliss et al.	D14/233
D631,873	S *	2/2011	Jin	D14/231
D634,308	S *	3/2011	Bliss et al.	D14/233
D656,081	S *	3/2012	Yonai et al.	D12/410

**OTHER PUBLICATIONS**

Installation and Operating Manual for VuQube model V10 Mobile Satellite TV Antenna with FastFind Remote, Dec. 13, 2006, 10 pages.

\* cited by examiner

*Primary Examiner* — John Windmuller

(74) *Attorney, Agent, or Firm* — Skaar Ulbrich Macari, P.A.

(57) **CLAIM**

We claim the ornamental design for a satellite television antenna, as shown and described.

**DESCRIPTION**

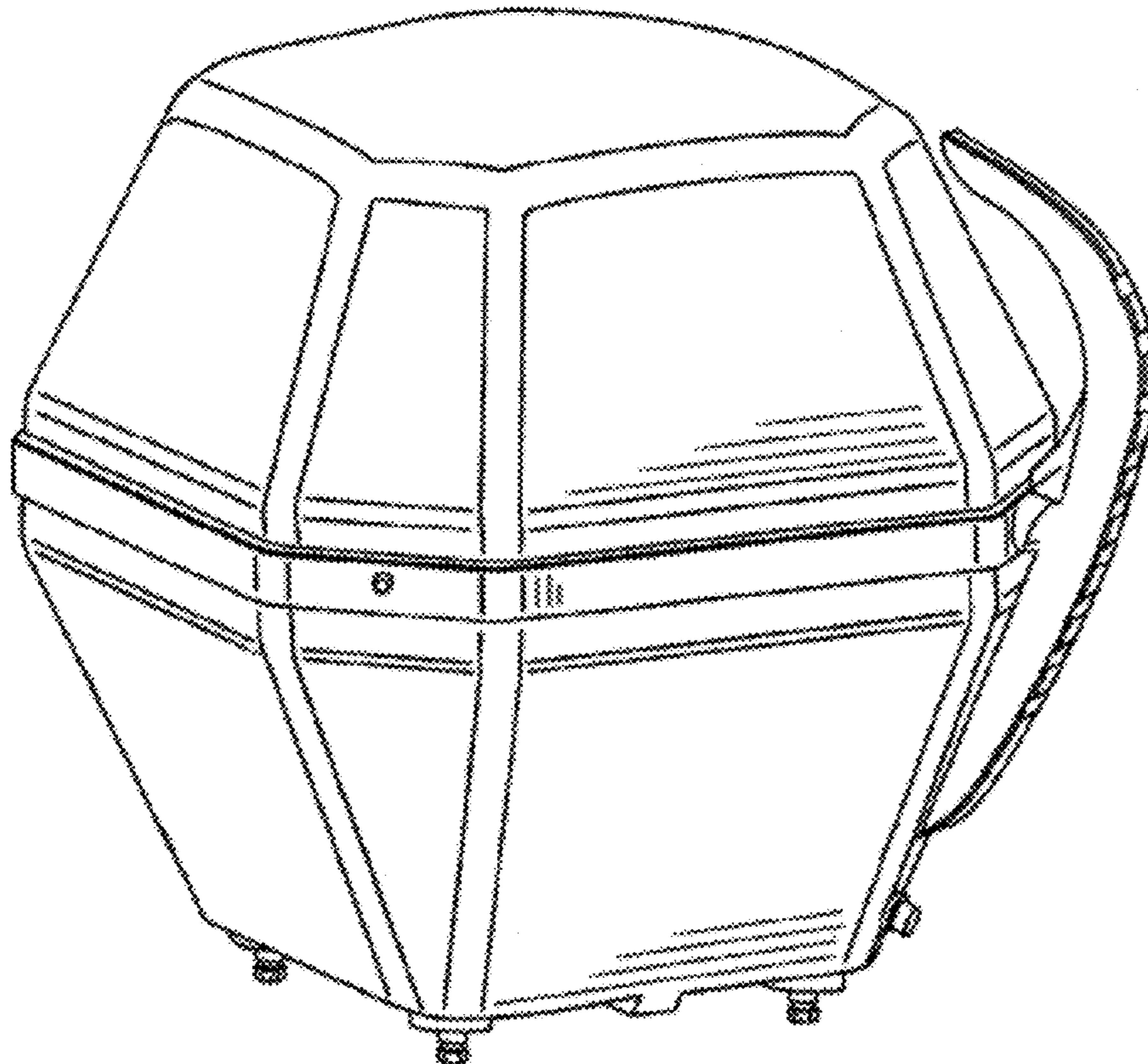
FIG. 1 is a side view of our satellite television antenna.

FIG. 2 is a perspective view thereof.

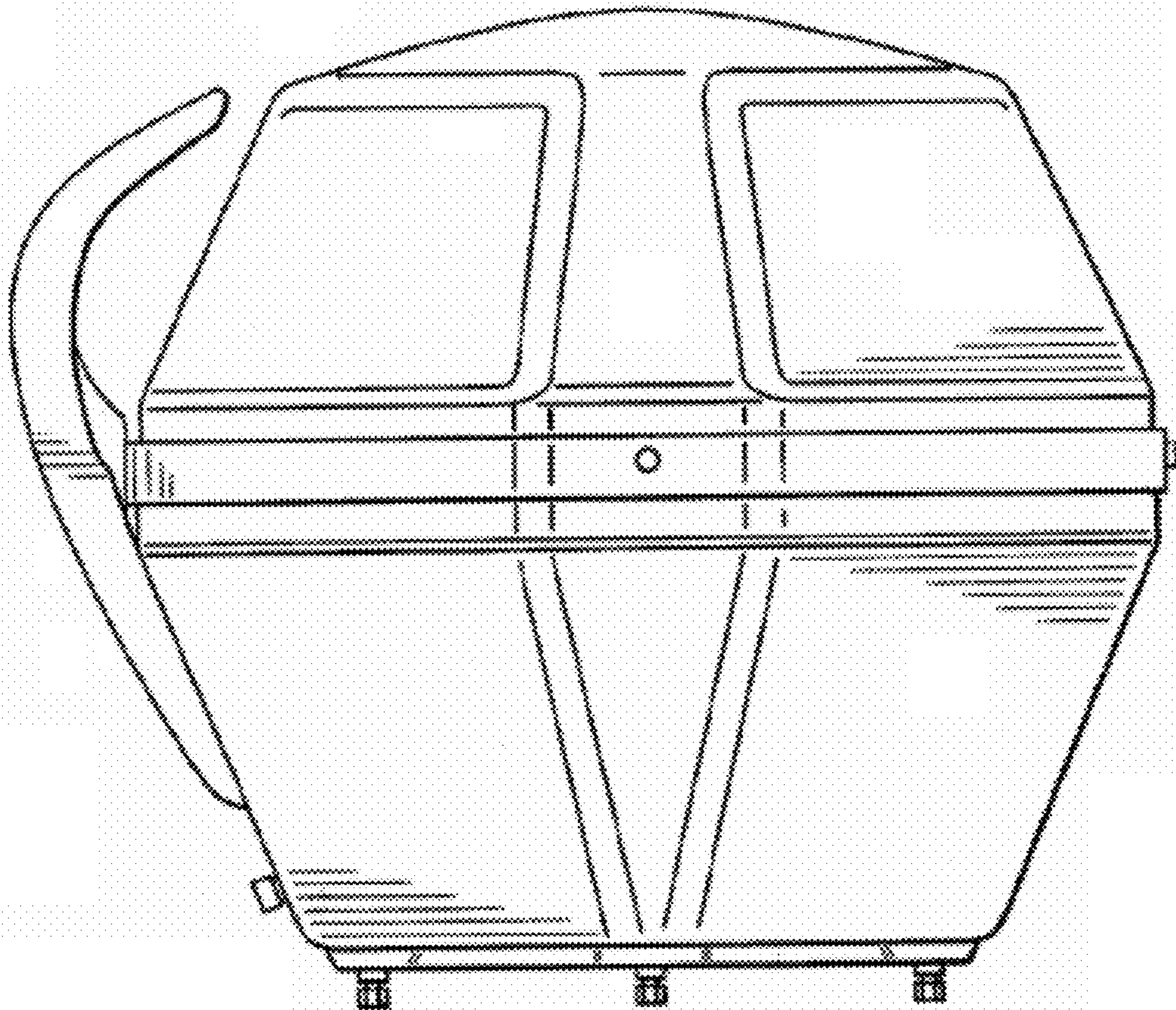
FIG. 3 is another perspective view thereof; and,

FIG. 4 is a rear view thereof.

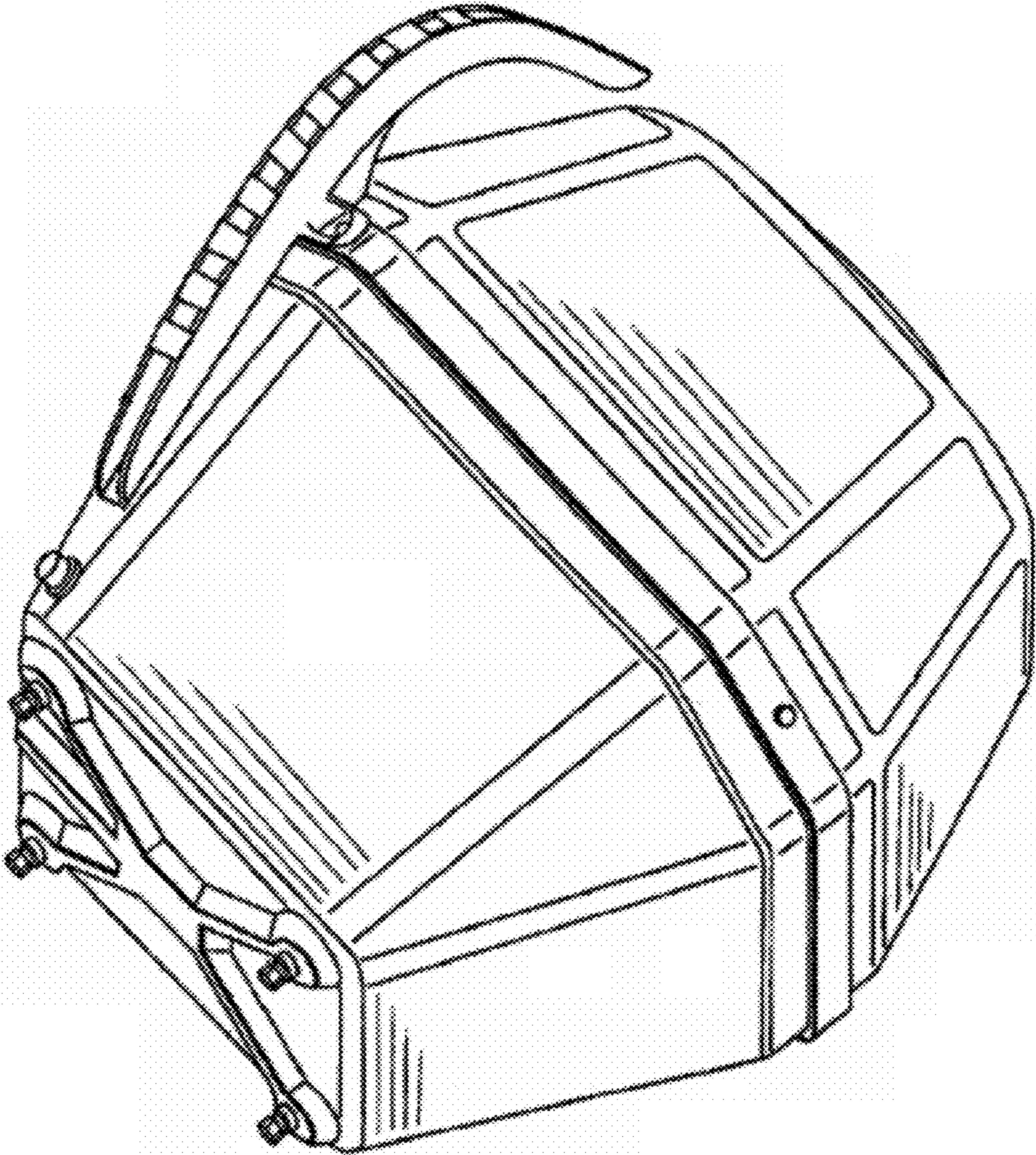
**1 Claim, 4 Drawing Sheets**



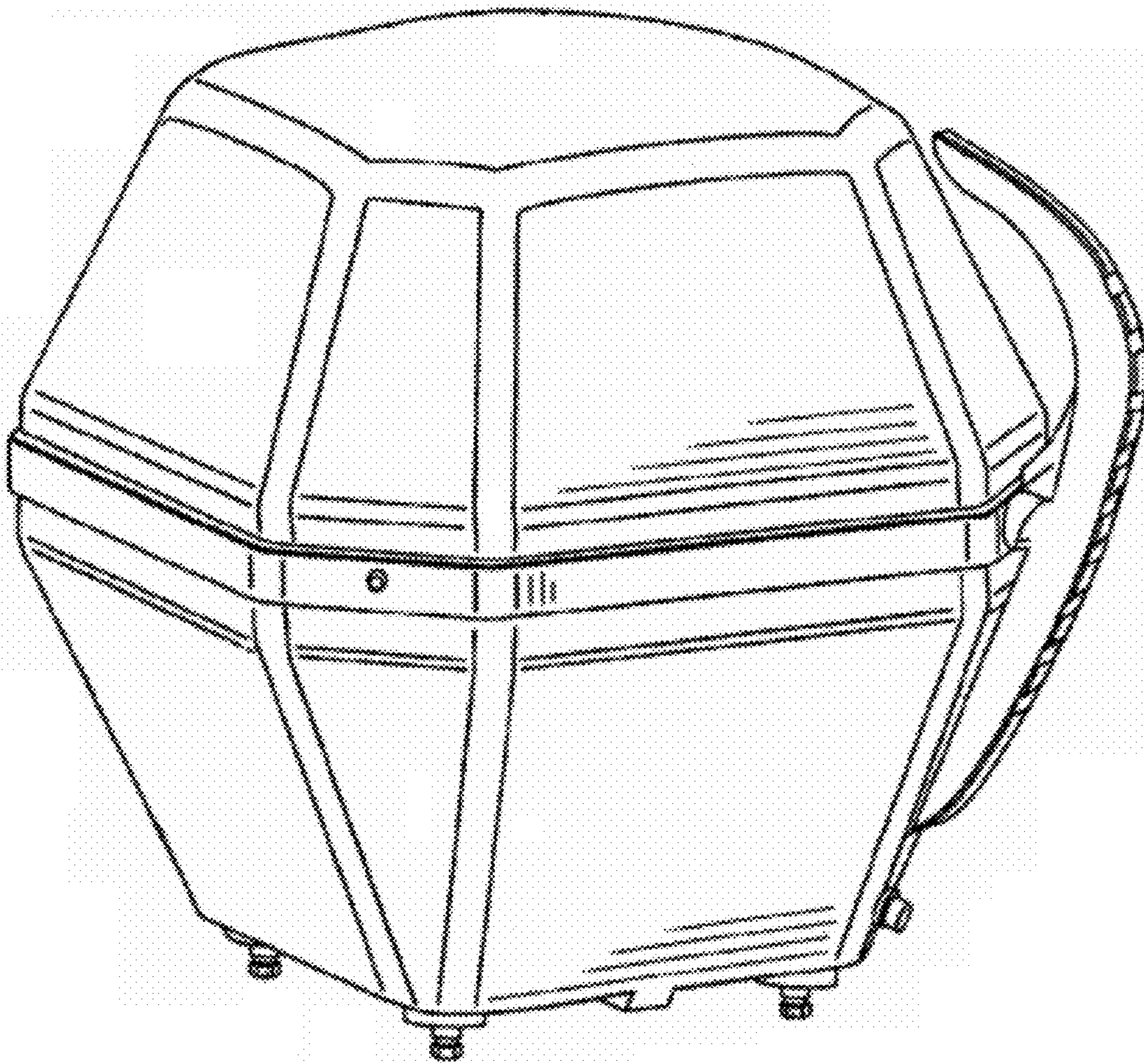
**Fig. 1**



**Fig. 2**



**Fig. 3**



**Fig. 4**

