

US00D669453S

(12) **United States Design Patent**  
**Katsuraku et al.**

(10) **Patent No.:** **US D669,453 S**  
(45) **Date of Patent:** **\*\* Oct. 23, 2012**

(54) **EARPHONE**

(75) Inventors: **Junko Katsuraku**, Tokyo (JP); **Takumi Suzuki**, Tokyo (JP)

(73) Assignee: **Sony Corporation**, Tokyo (JP)

(\*\*) Term: **14 Years**

(21) Appl. No.: **29/371,996**

(22) Filed: **Apr. 12, 2012**

(30) **Foreign Application Priority Data**

Nov. 30, 2010	(JP)	.....	D2010-028616
Nov. 30, 2010	(JP)	.....	D2010-028617
Nov. 30, 2010	(JP)	.....	D2010-028632
Nov. 30, 2010	(JP)	.....	D2010-028633
Nov. 30, 2010	(JP)	.....	D2010-028634
Nov. 30, 2010	(JP)	.....	D2010-028635
Nov. 30, 2010	(JP)	.....	D2010-028636
Nov. 30, 2010	(JP)	.....	D2010-028637

(51) **LOC (9) Cl.** ..... **14-01**

(52) **U.S. Cl.** ..... **D14/223**

(58) **Field of Classification Search** ..... D14/205,  
D14/206, 223; 181/129, 130, 135; 379/430,  
379/431; 381/380, 381, 322, 328; 473/569,  
473/570; 273/108

See application file for complete search history.

(56) **References Cited**

**U.S. PATENT DOCUMENTS**

2,261,448	A	11/1941	Petersen	
2,524,546	A *	10/1950	Sinclair	473/570
3,650,025	A	3/1972	McLaughlin et al.	
4,116,439	A *	9/1978	Chavarria et al.	473/52
4,736,430	A *	4/1988	Schroder	381/322
4,738,817	A	4/1988	Wittwer et al.	
D353,379	S	12/1994	Nakamura et al.	
D371,368	S	7/1996	Hayashi	
D377,767	S	2/1997	Doppelt et al.	

(Continued)

*Primary Examiner* — Paula Greene

(74) *Attorney, Agent, or Firm* — Rader, Fishman & Grauer  
PLLC

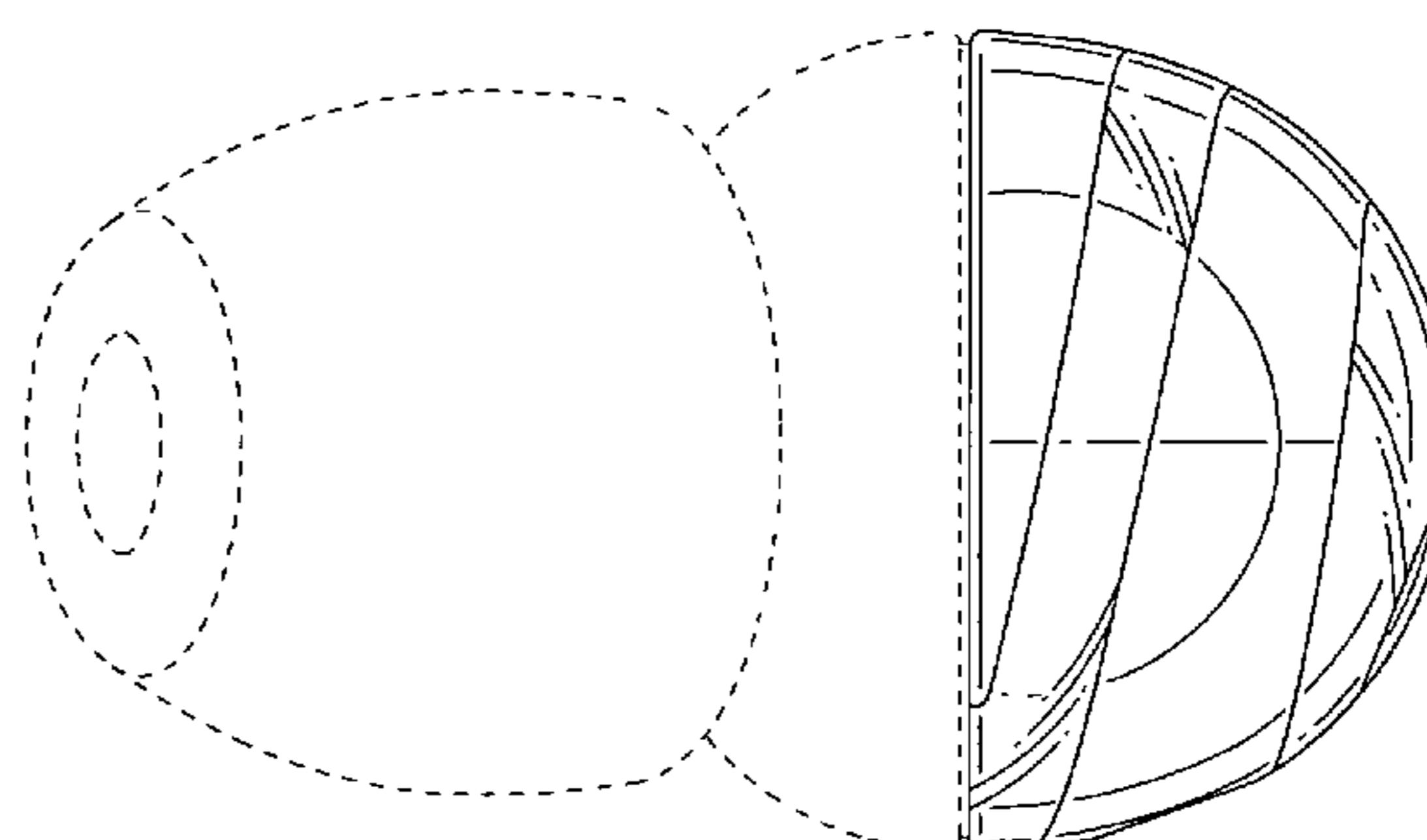
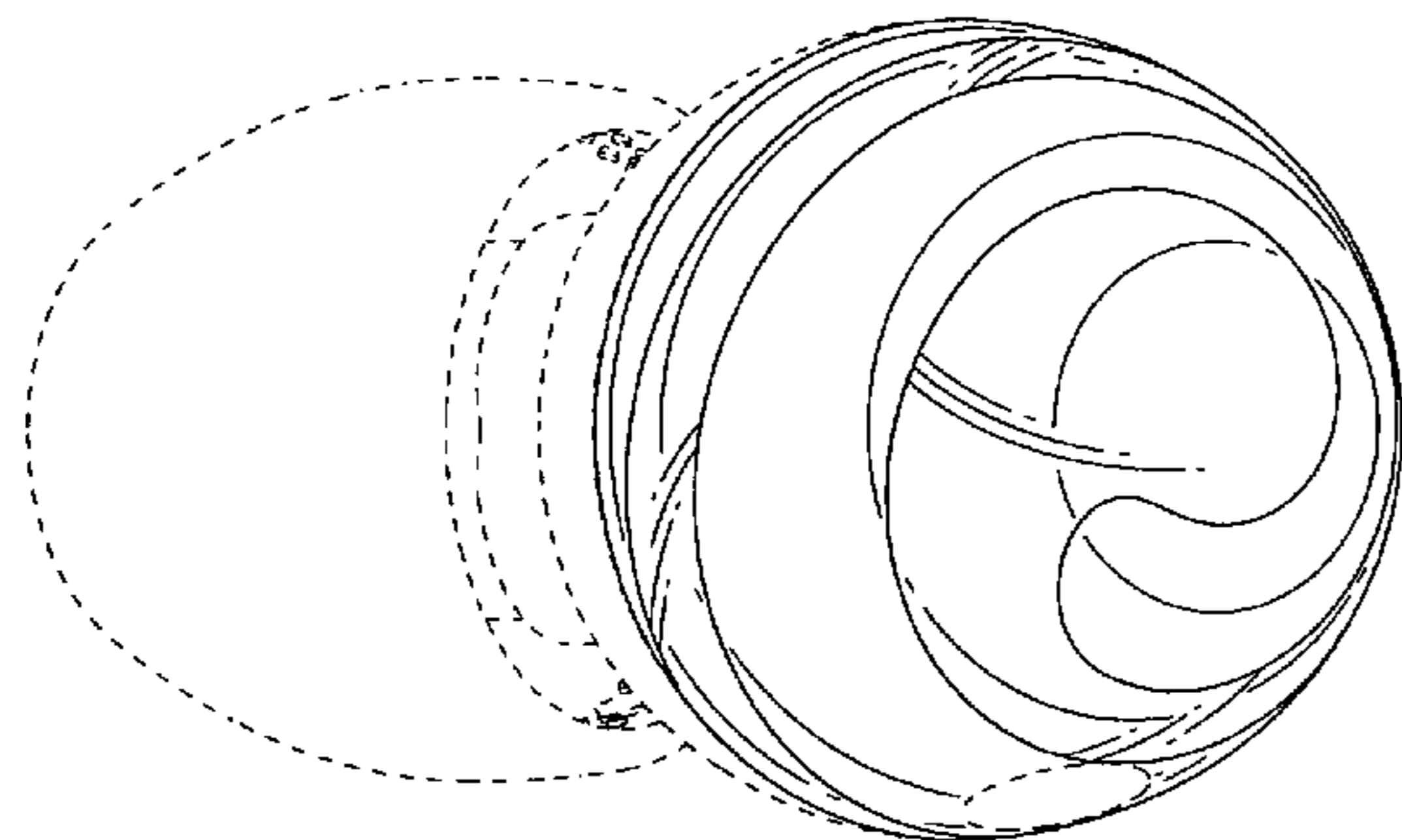
(57) **CLAIM**

The ornamental design for an earphone, as shown and described.

**DESCRIPTION**

FIG. 1 is a perspective view of a first embodiment of an earphone showing our new design;  
 FIG. 2 is a front elevational view thereof;  
 FIG. 3 is a left side elevational view thereof;  
 FIG. 4 is a right side elevational view thereof;  
 FIG. 5 is a top plan view thereof; and  
 FIG. 6 is a bottom plan view thereof.  
 FIG. 7 is a perspective view of a second embodiment of an earphone showing our new design;  
 FIG. 8 is a front elevational view thereof;  
 FIG. 9 is a left side elevational view thereof;  
 FIG. 10 is a right side elevational view thereof;  
 FIG. 11 is a top plan view thereof; and  
 FIG. 12 is a bottom plan view thereof.  
 FIG. 13 is a perspective view of a third embodiment of an earphone showing our new design;  
 FIG. 14 is a front elevational view thereof;  
 FIG. 15 is a left side elevational view thereof;  
 FIG. 16 is a right side elevational view thereof;  
 FIG. 17 is a top plan view thereof; and  
 FIG. 18 is a bottom plan view thereof.  
 FIG. 19 is a perspective view of a fourth embodiment of an earphone showing our new design;  
 FIG. 20 is a front elevational view thereof;  
 FIG. 21 is a left side elevational view thereof;  
 FIG. 22 is a right side elevational view thereof;  
 FIG. 23 is a top plan view thereof; and  
 FIG. 24 is a bottom plan view thereof.  
 FIG. 25 is a perspective view of a fifth embodiment of an earphone showing our new design;  
 FIG. 26 is a front elevational view thereof;  
 FIG. 27 is a left side elevational view thereof;  
 FIG. 28 is a right side elevational view thereof;  
 FIG. 29 is a top plan view thereof; and  
 FIG. 30 is a bottom plan view thereof.  
 Portions in broken lines are for illustrative purposes only and do not form the claimed invention.

**1 Claim, 18 Drawing Sheets**



# US D669,453 S

Page 2

## U.S. PATENT DOCUMENTS

5,649,874	A *	7/1997	Headford et al. ....	473/569	D533,867	S	12/2006	Koizumi	
5,772,204	A *	6/1998	Phelps .....	273/108.1	D533,868	S	12/2006	Koizumi	
5,796,021	A	8/1998	Longshore		D591,721	S *	5/2009	Densho .....	D14/205
5,800,244	A *	9/1998	Barton, Jr. ....	446/431	D591,722	S *	5/2009	Densho .....	D14/205
D402,661	S	12/1998	Hayashi		D598,430	S	8/2009	Nakatani	
D431,553	S *	10/2000	Suzuki .....	D14/223	D602,905	S *	10/2009	Morisawa .....	D14/205
D460,350	S	7/2002	Davis		D618,670	S *	6/2010	Tahara .....	D14/223
D474,171	S	5/2003	Suzuki		D619,122	S *	7/2010	Nomura .....	D14/223
D482,412	S	11/2003	Manville		D621,389	S *	8/2010	Nagayama et al. ....	D14/223
D484,166	S	12/2003	Senda		D625,637	S	10/2010	Sayegh	
D485,548	S	1/2004	Obata		D627,766	S *	11/2010	Arimoto .....	D14/223
D487,077	S	2/2004	Obata		D628,192	S	11/2010	Hsu et al.	
6,738,487	B1 *	5/2004	Nageno et al. ....	381/322	D633,086	S *	2/2011	Chen .....	D14/223
D507,051	S	7/2005	Bell et al.		D651,196	S *	12/2011	Quek .....	D14/223
7,116,793	B2 *	10/2006	Seto .....	381/322					

\* cited by examiner

FIG. 1

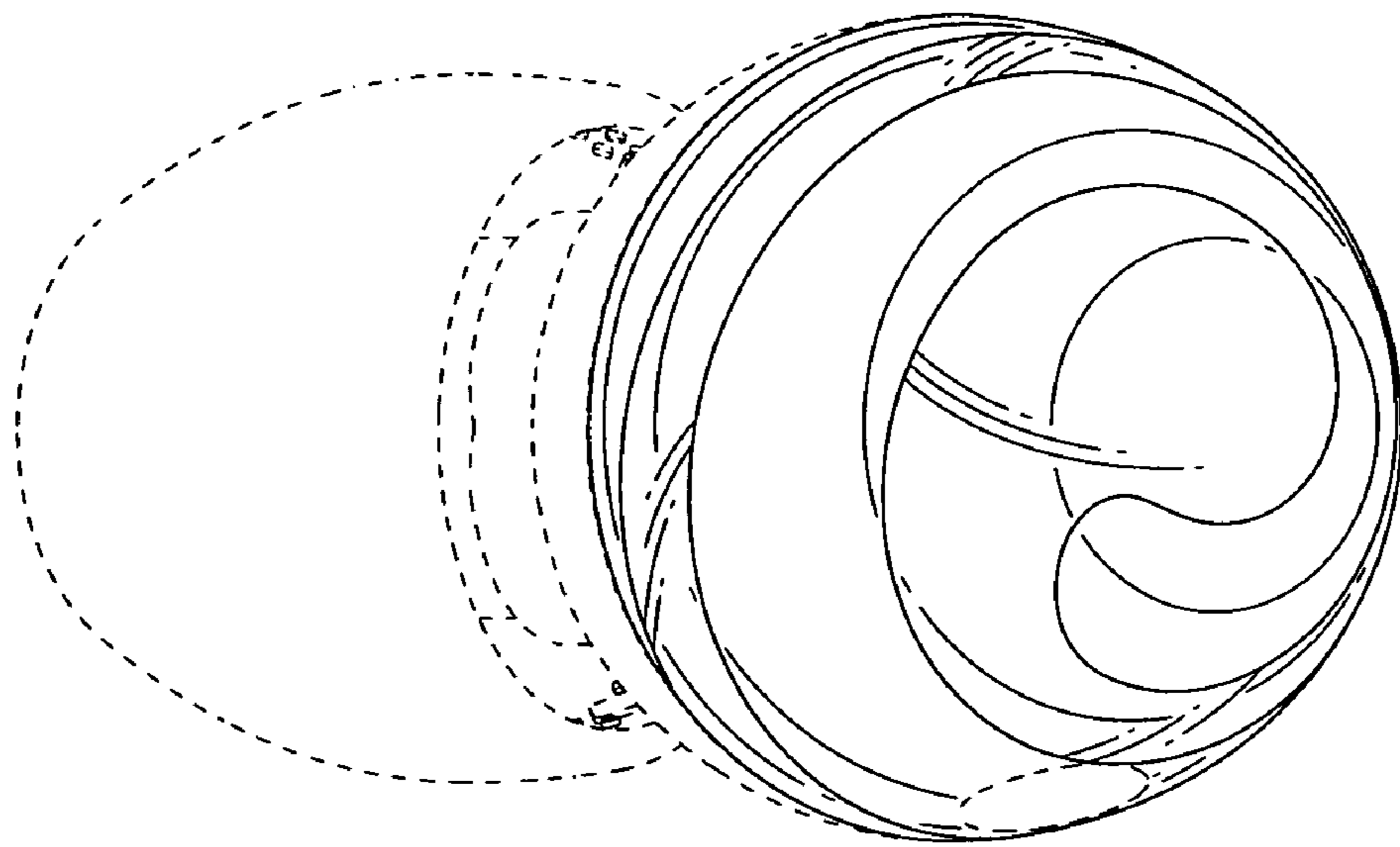


FIG.2

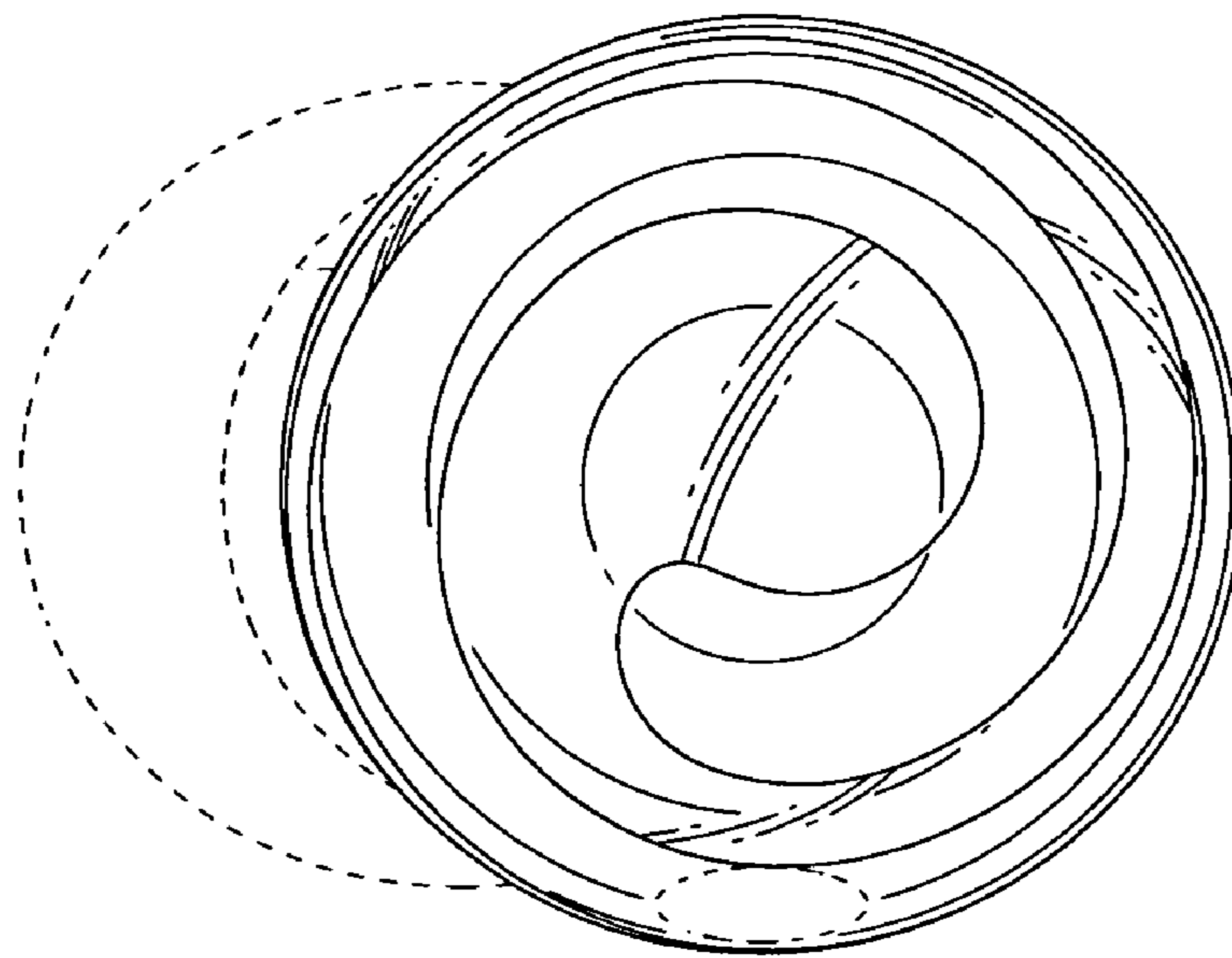


FIG.3

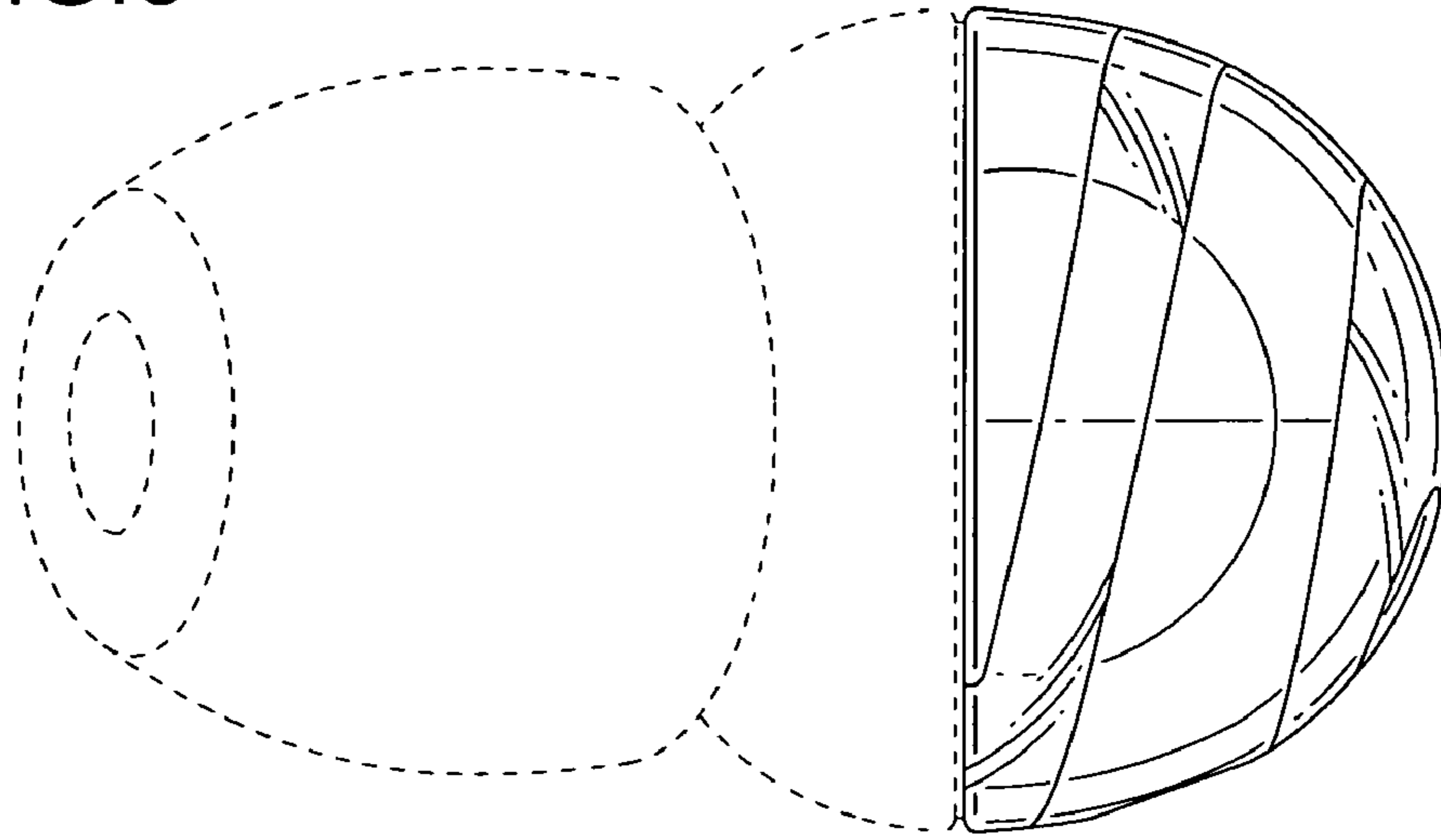


FIG.4

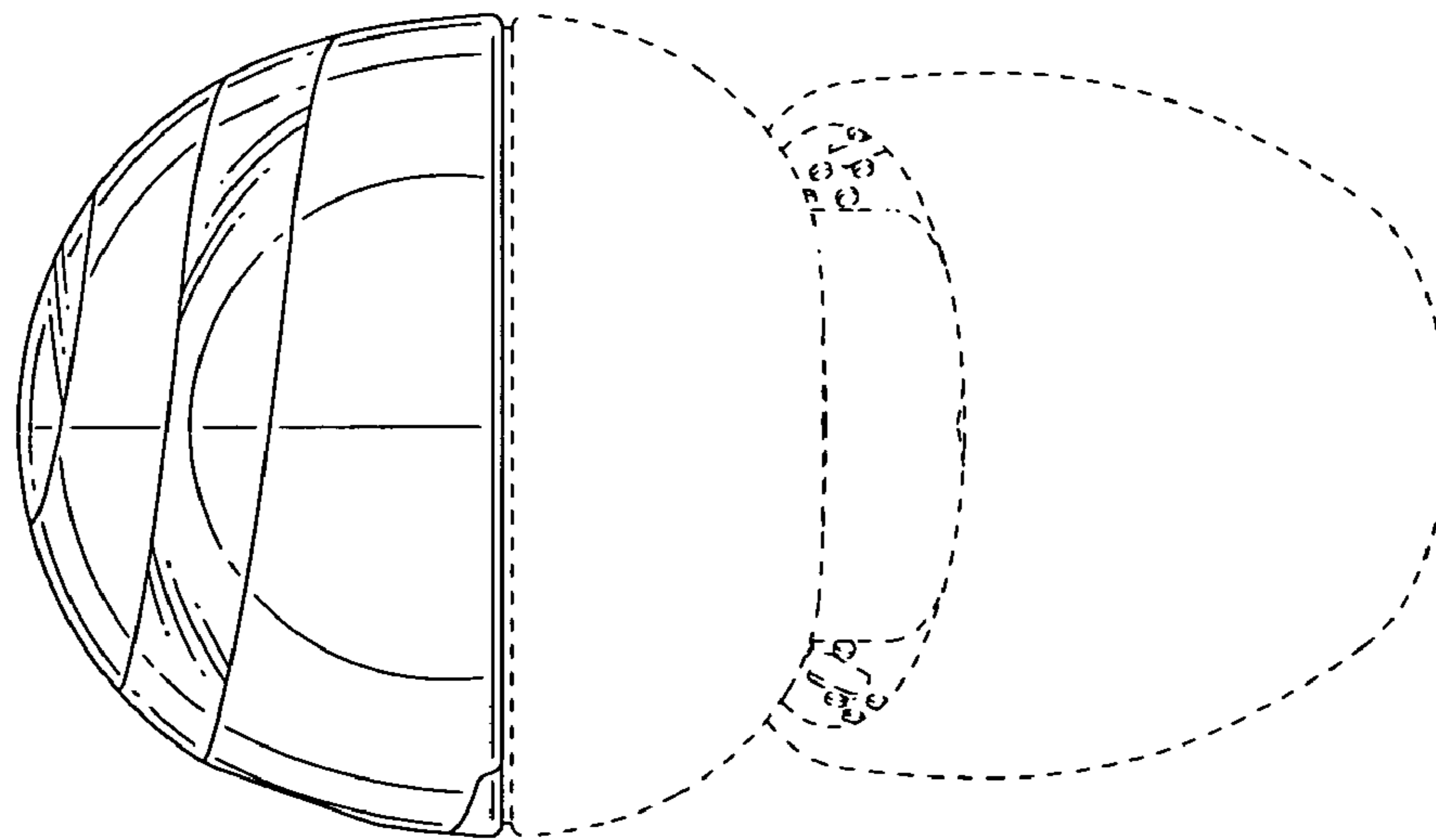


FIG.5

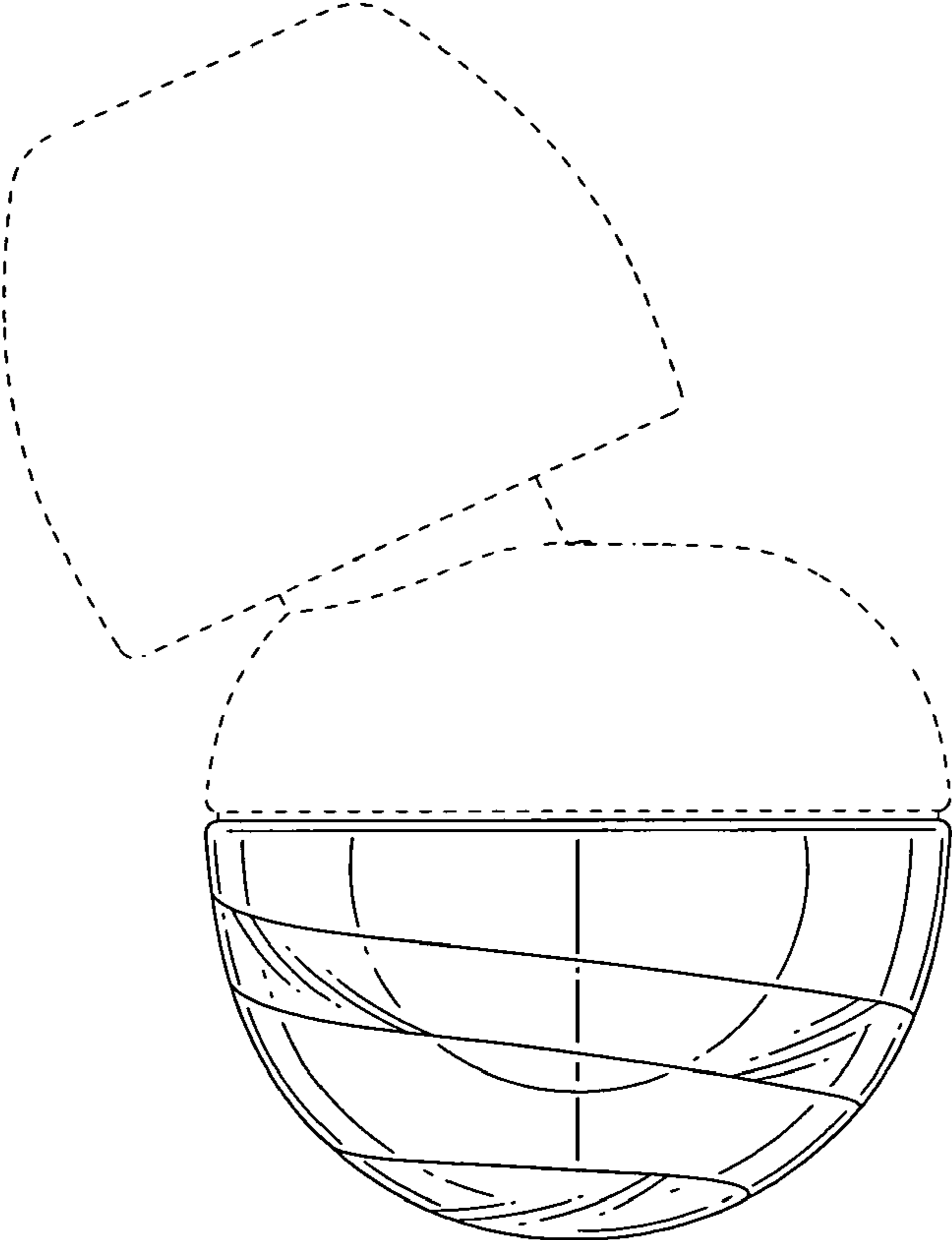


FIG.6

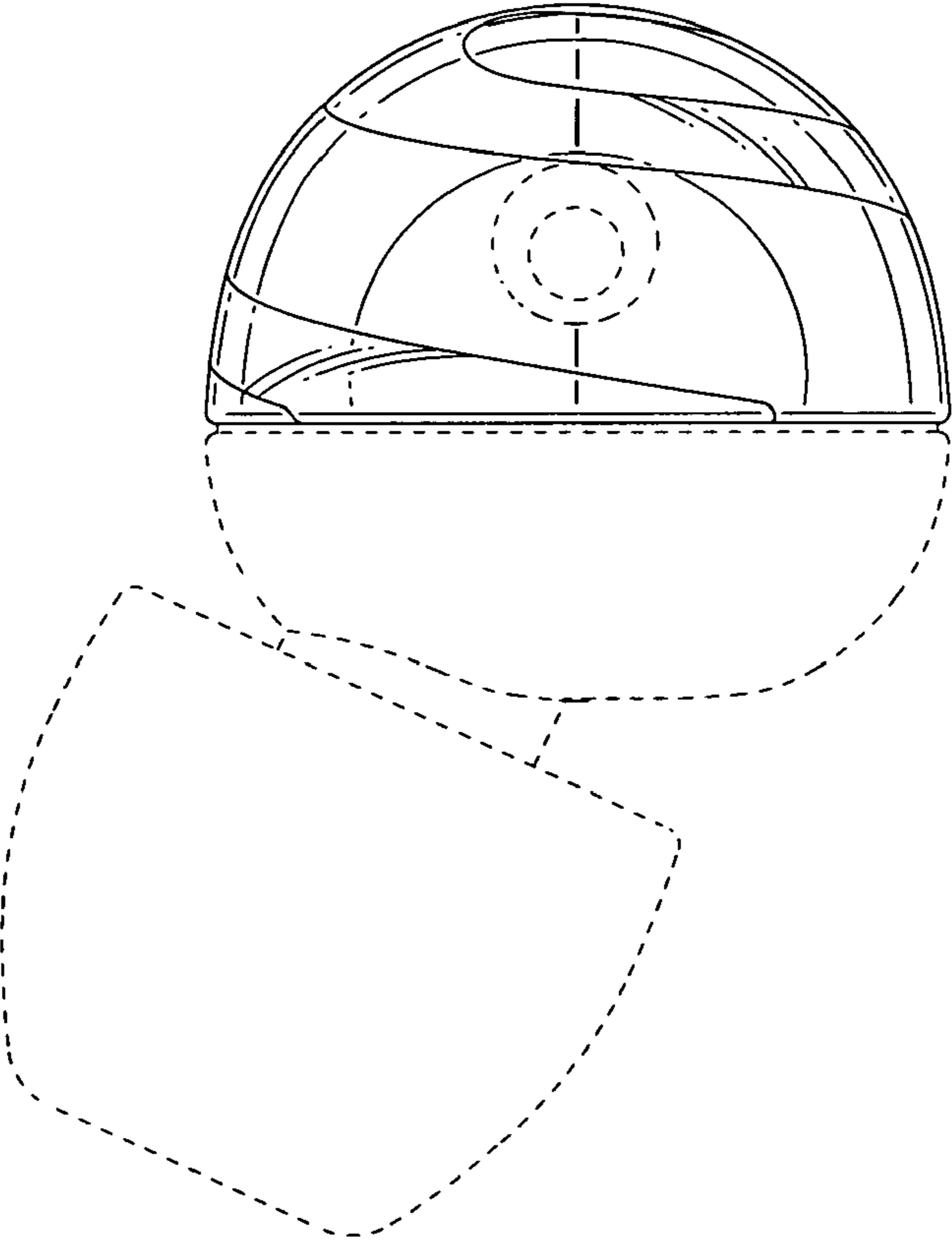


FIG. 7

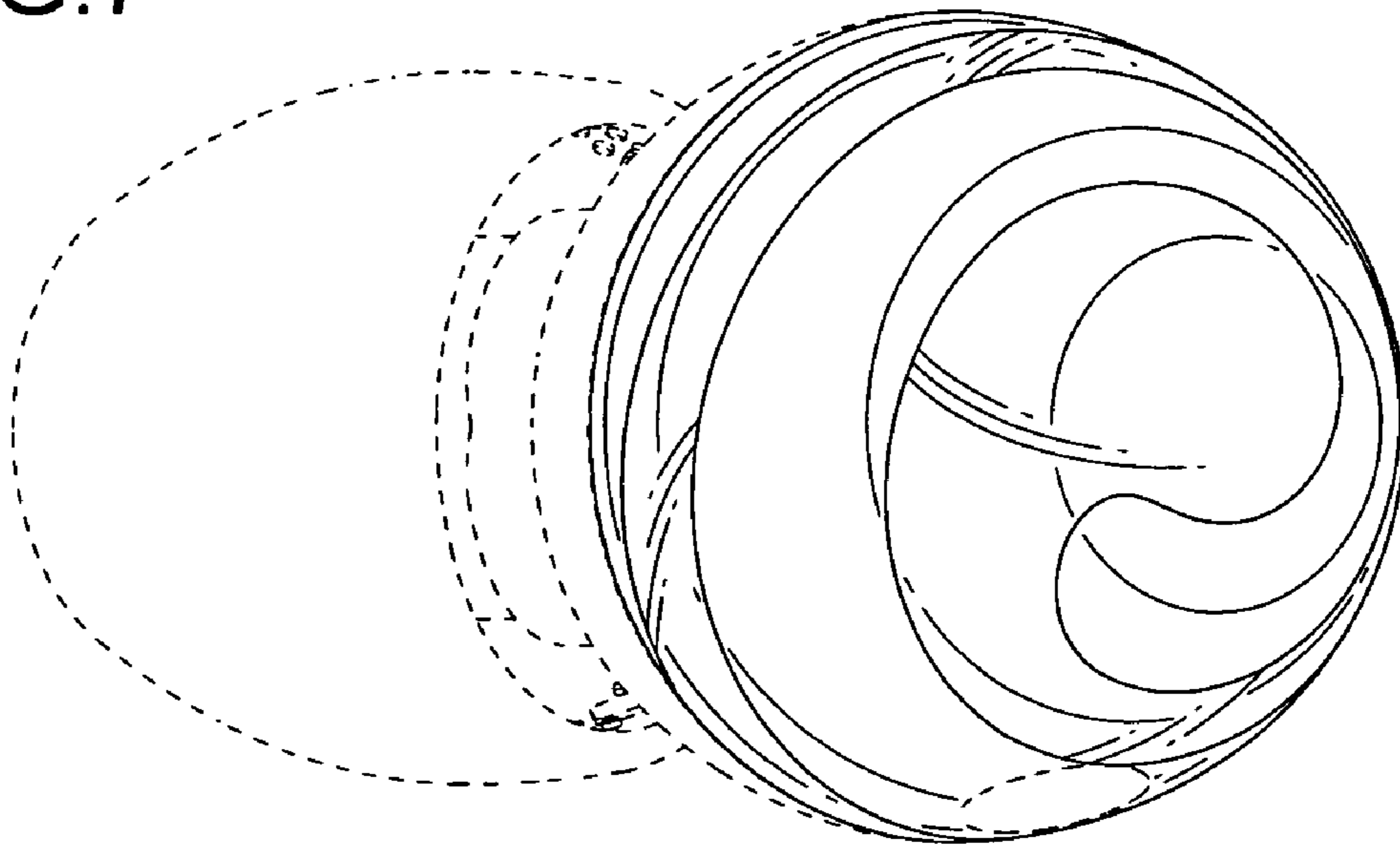


FIG.8

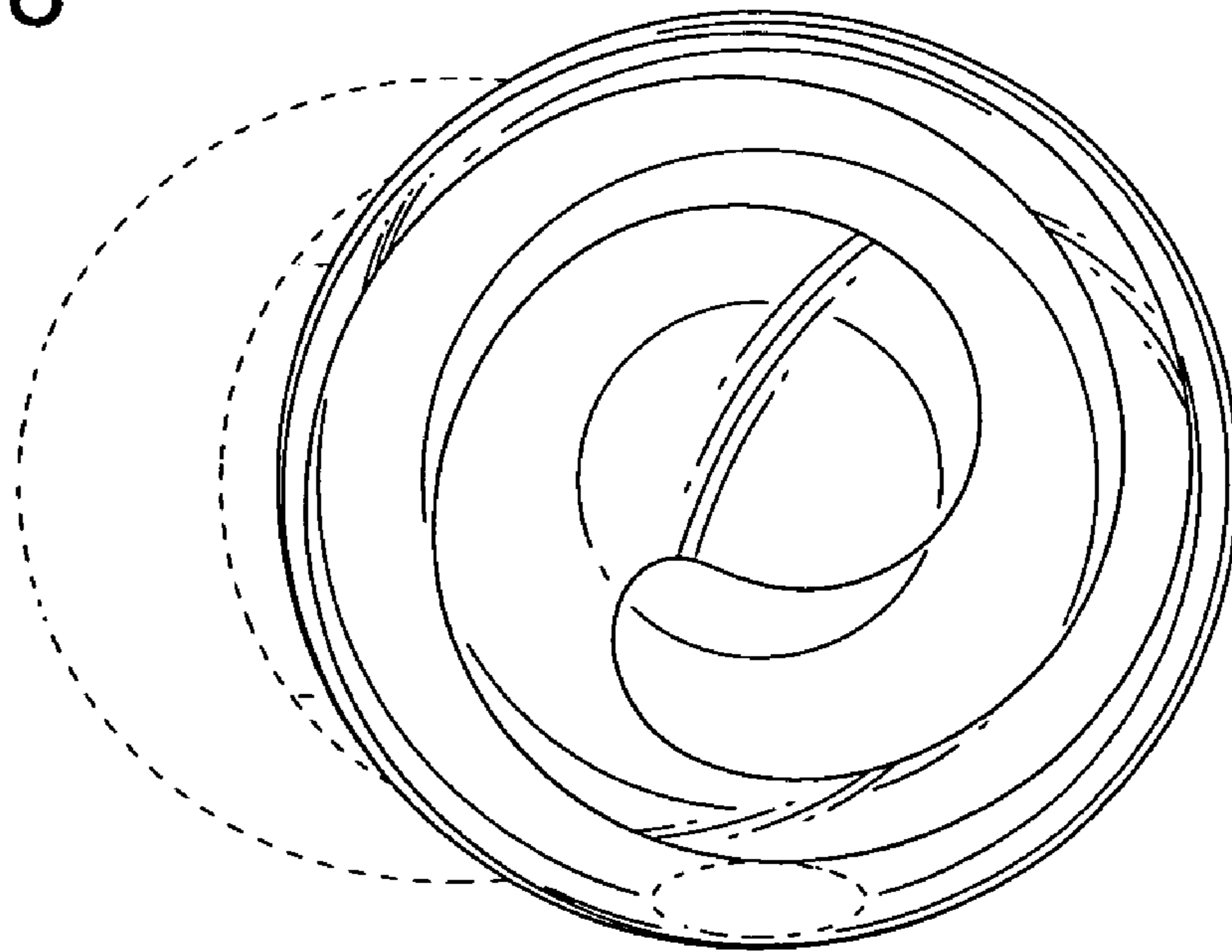




FIG.9

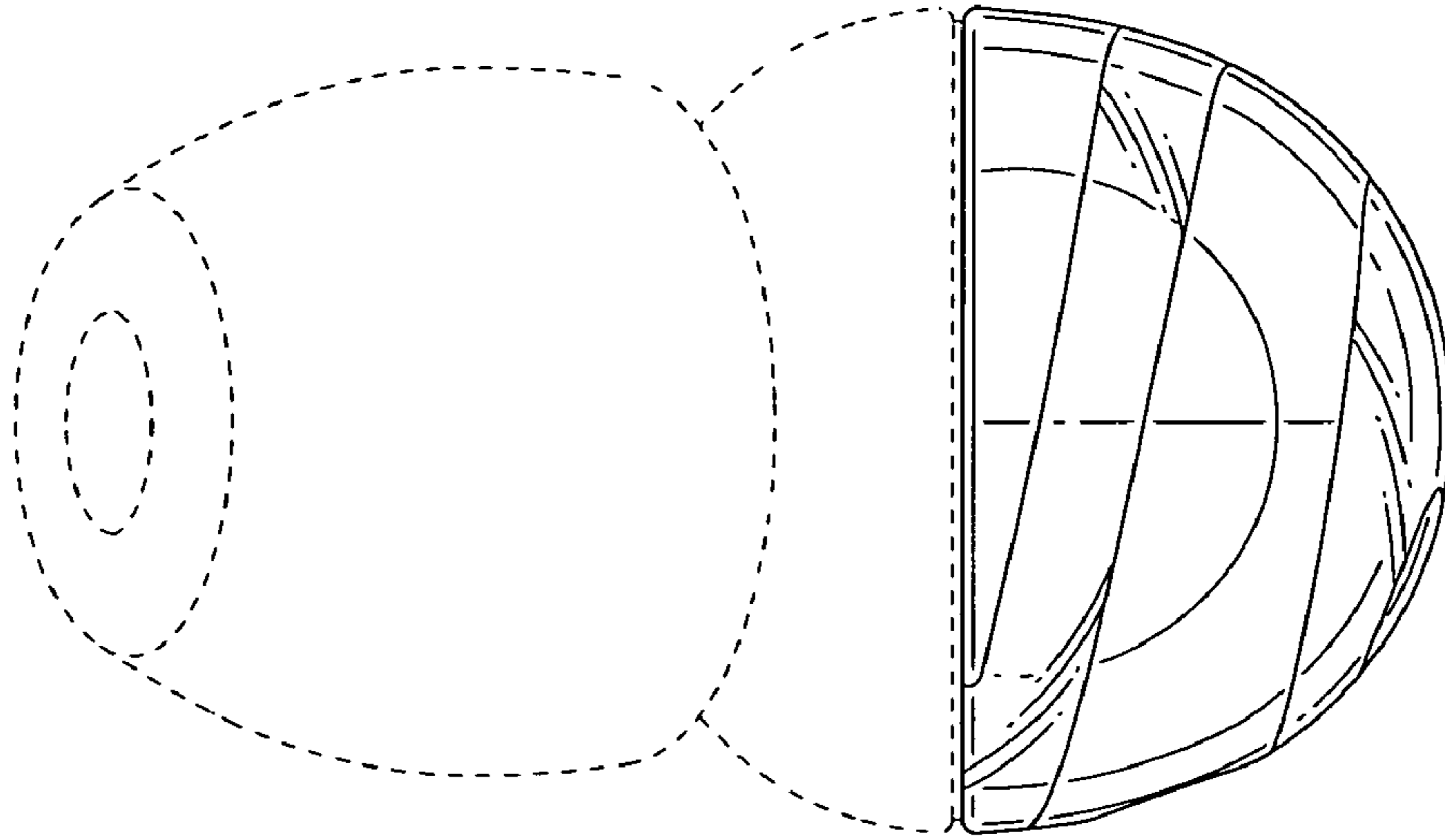


FIG.10

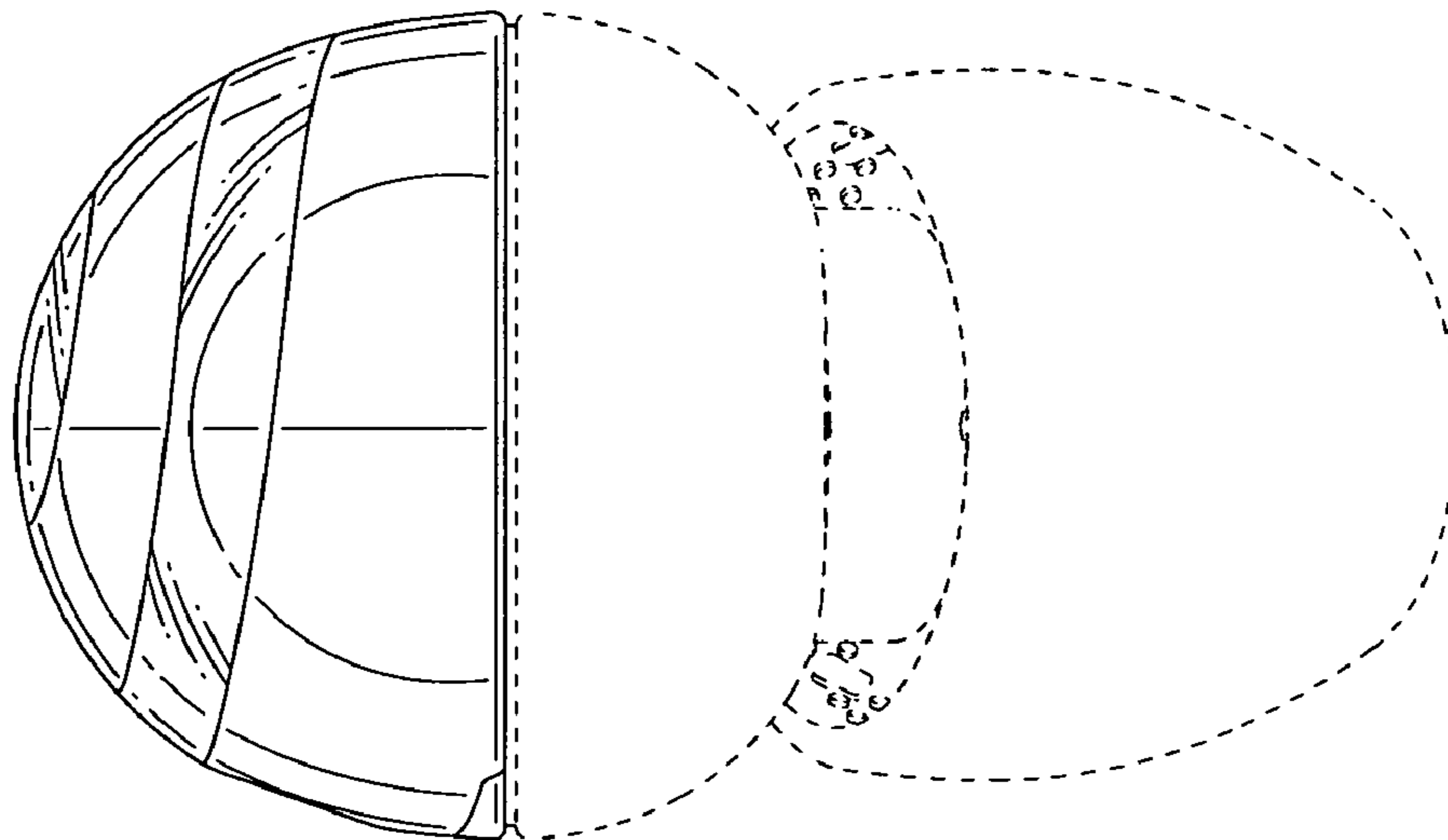


FIG.11

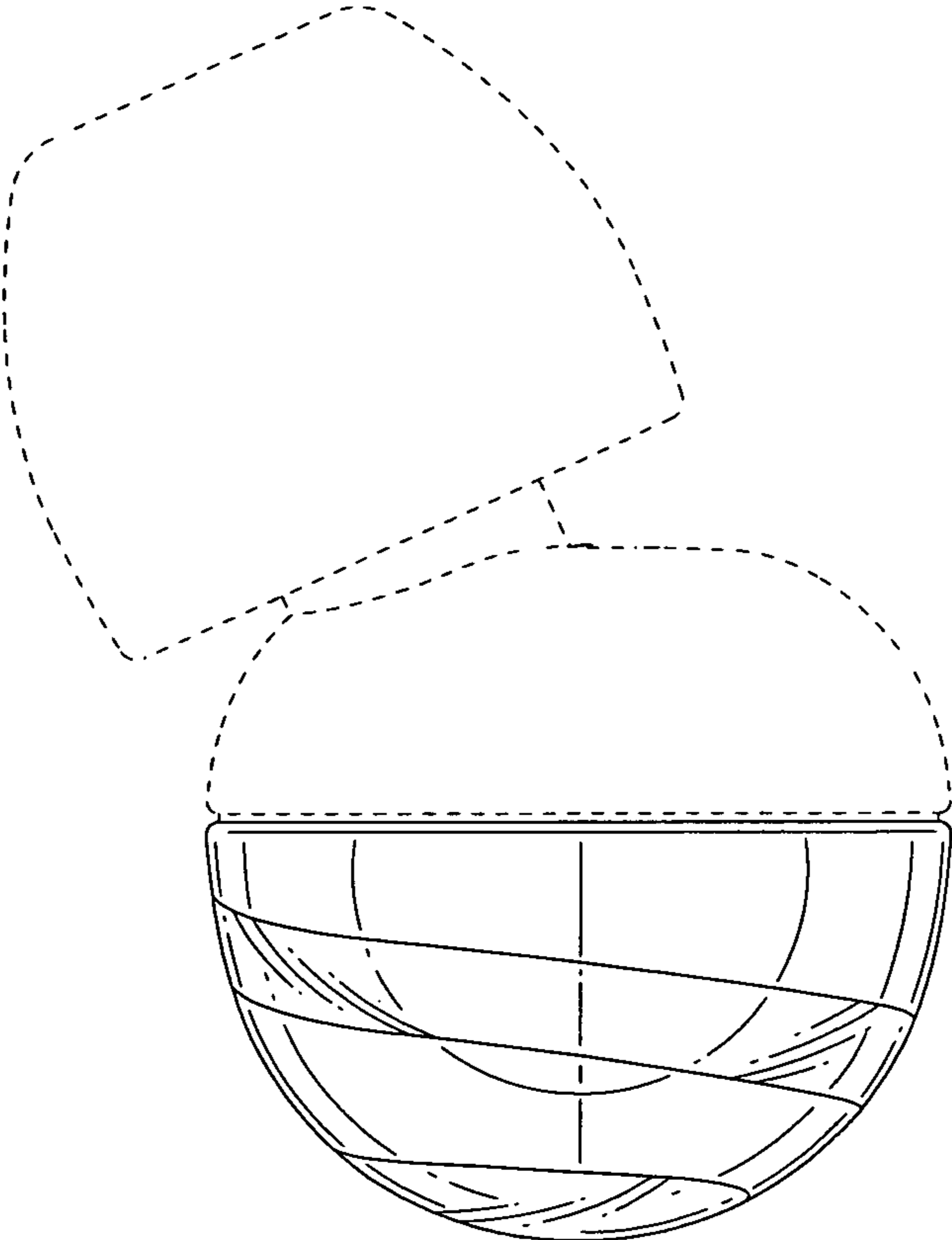


FIG.12

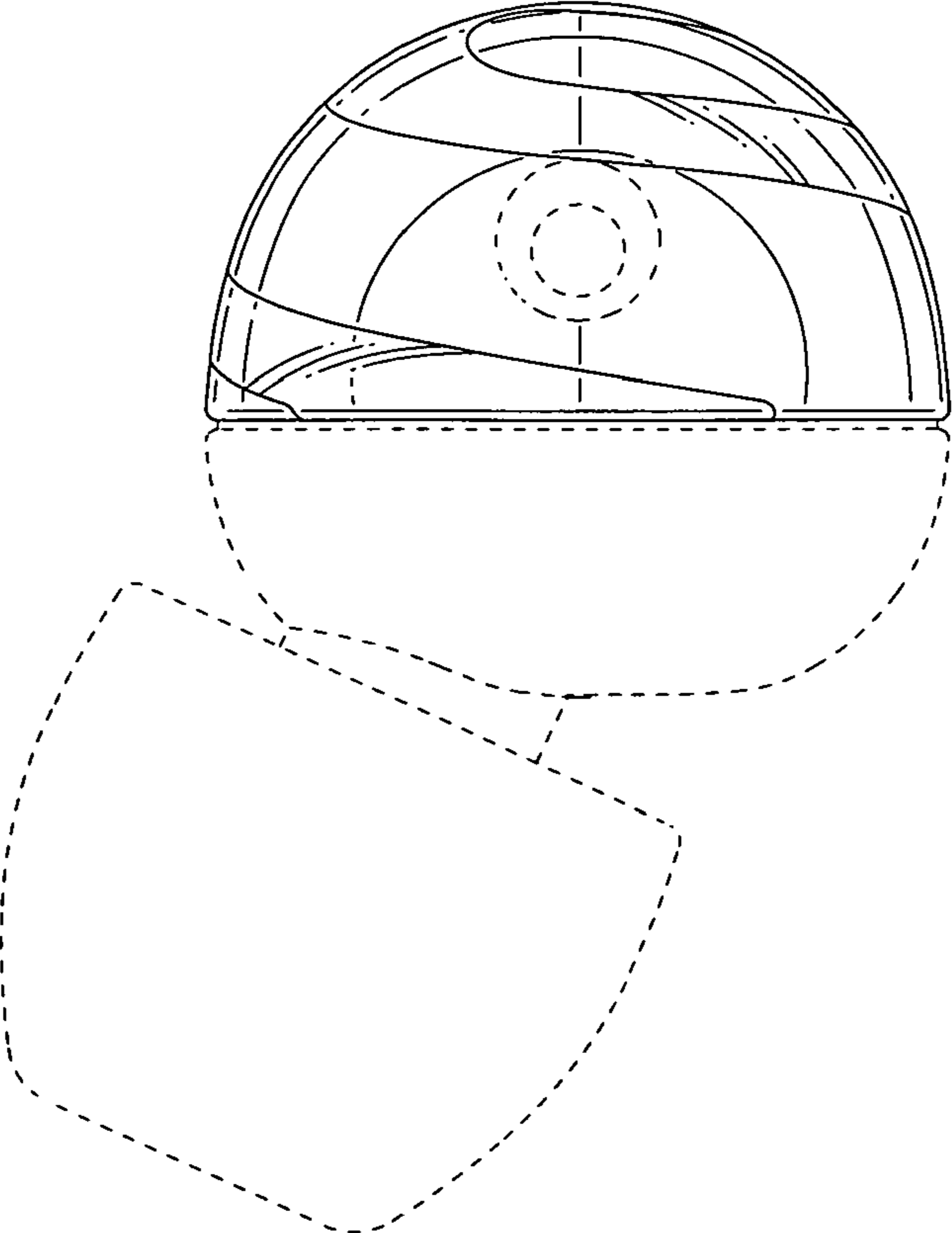


FIG. 13

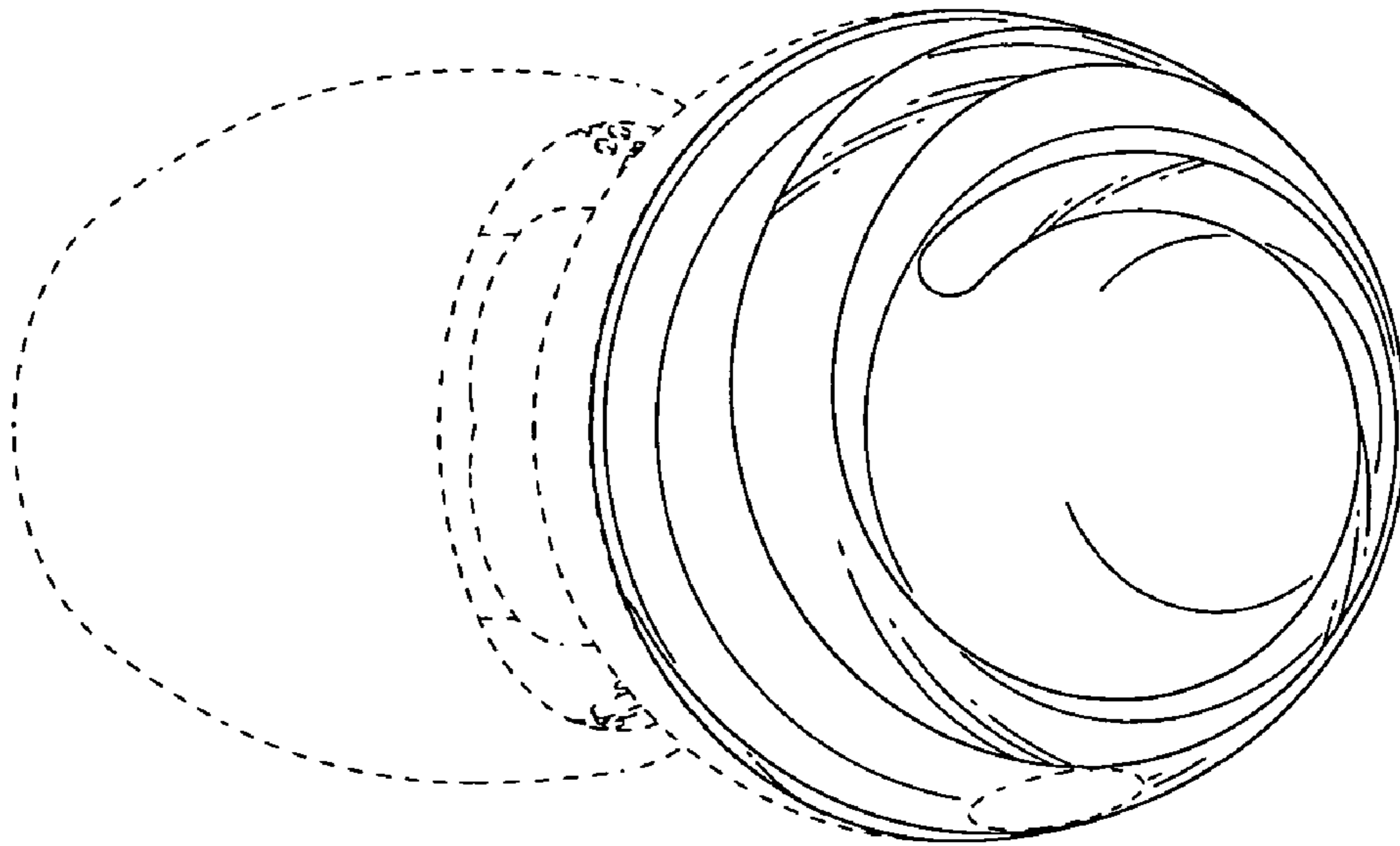


FIG. 14

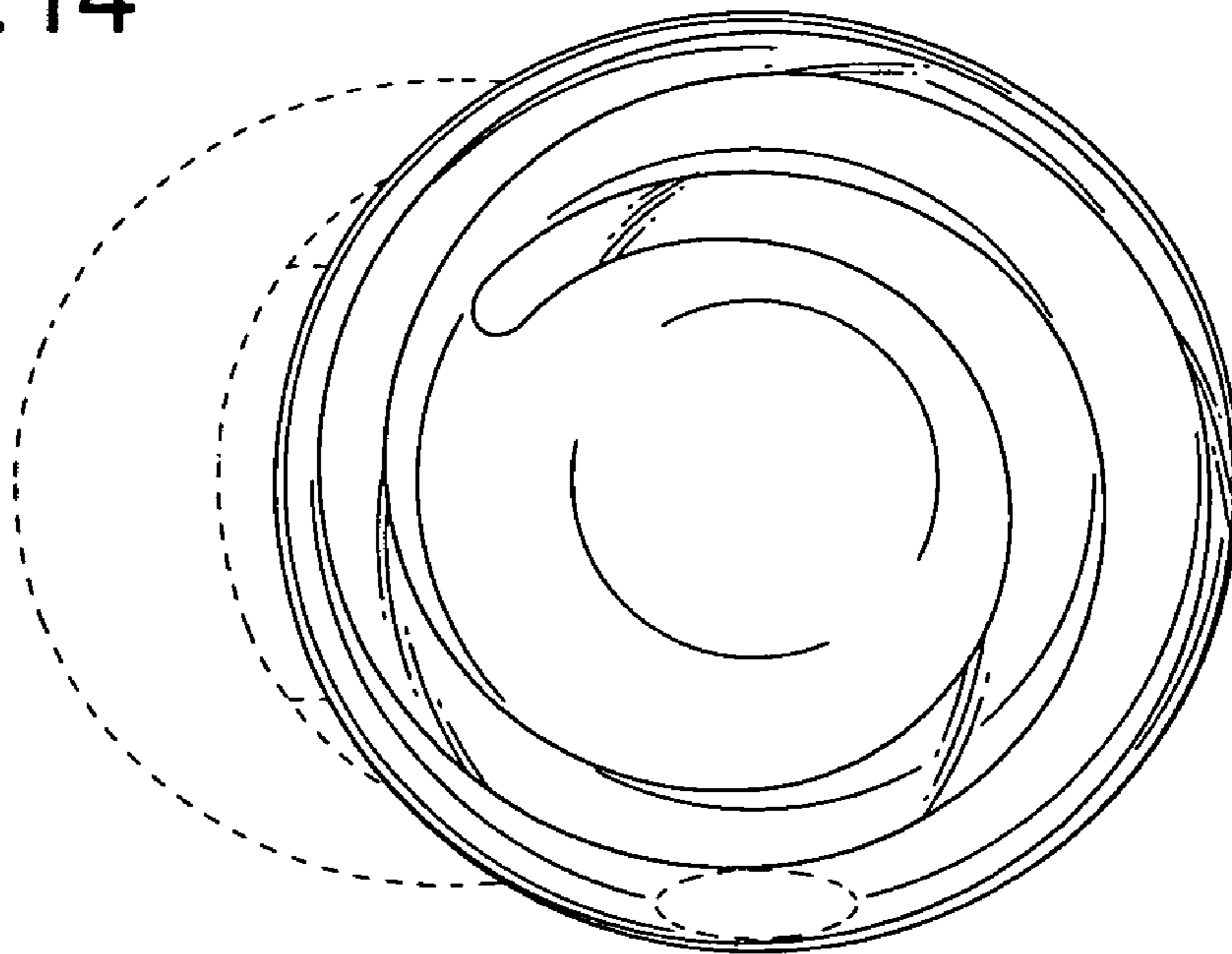


FIG.15

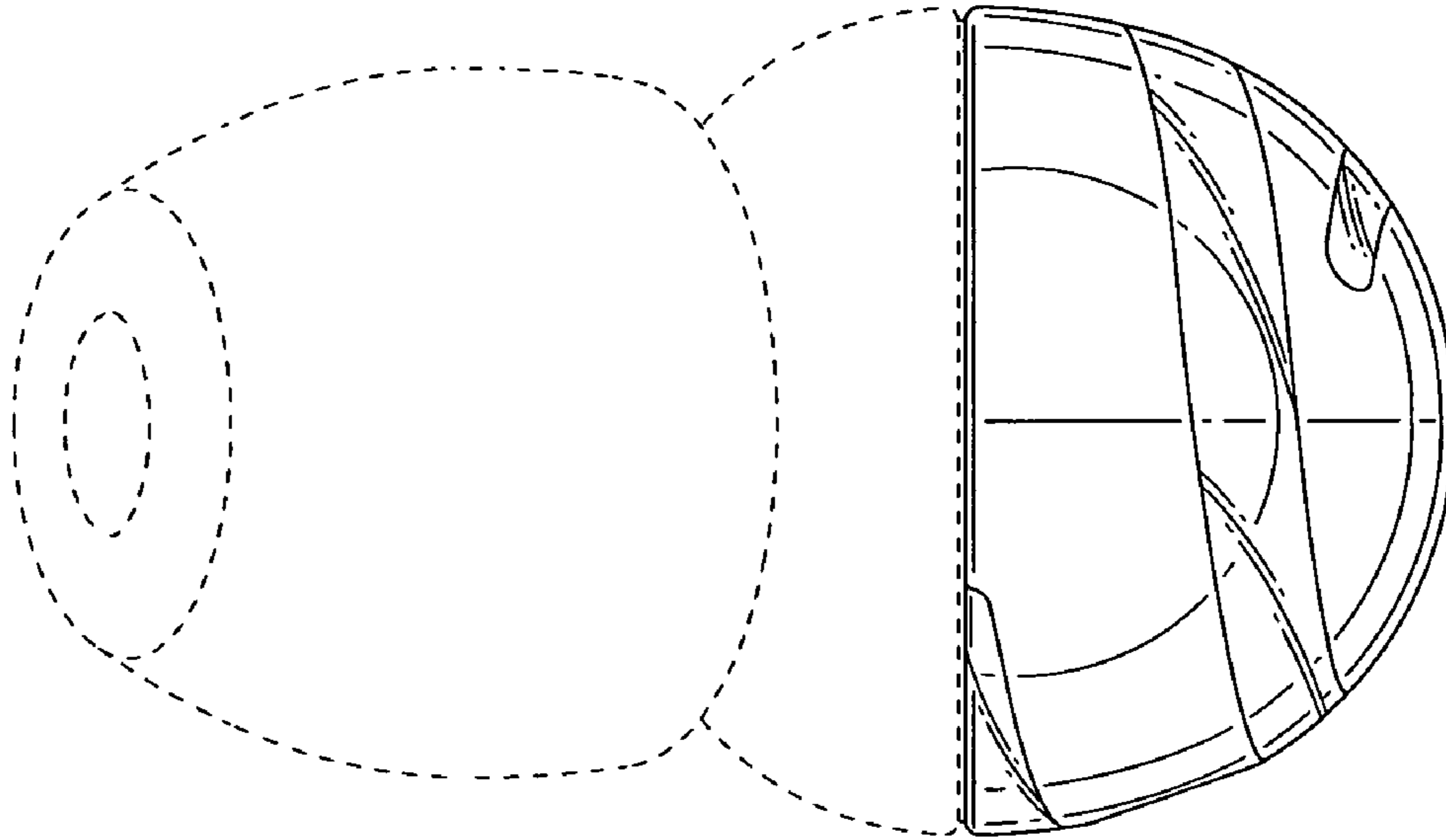


FIG.16

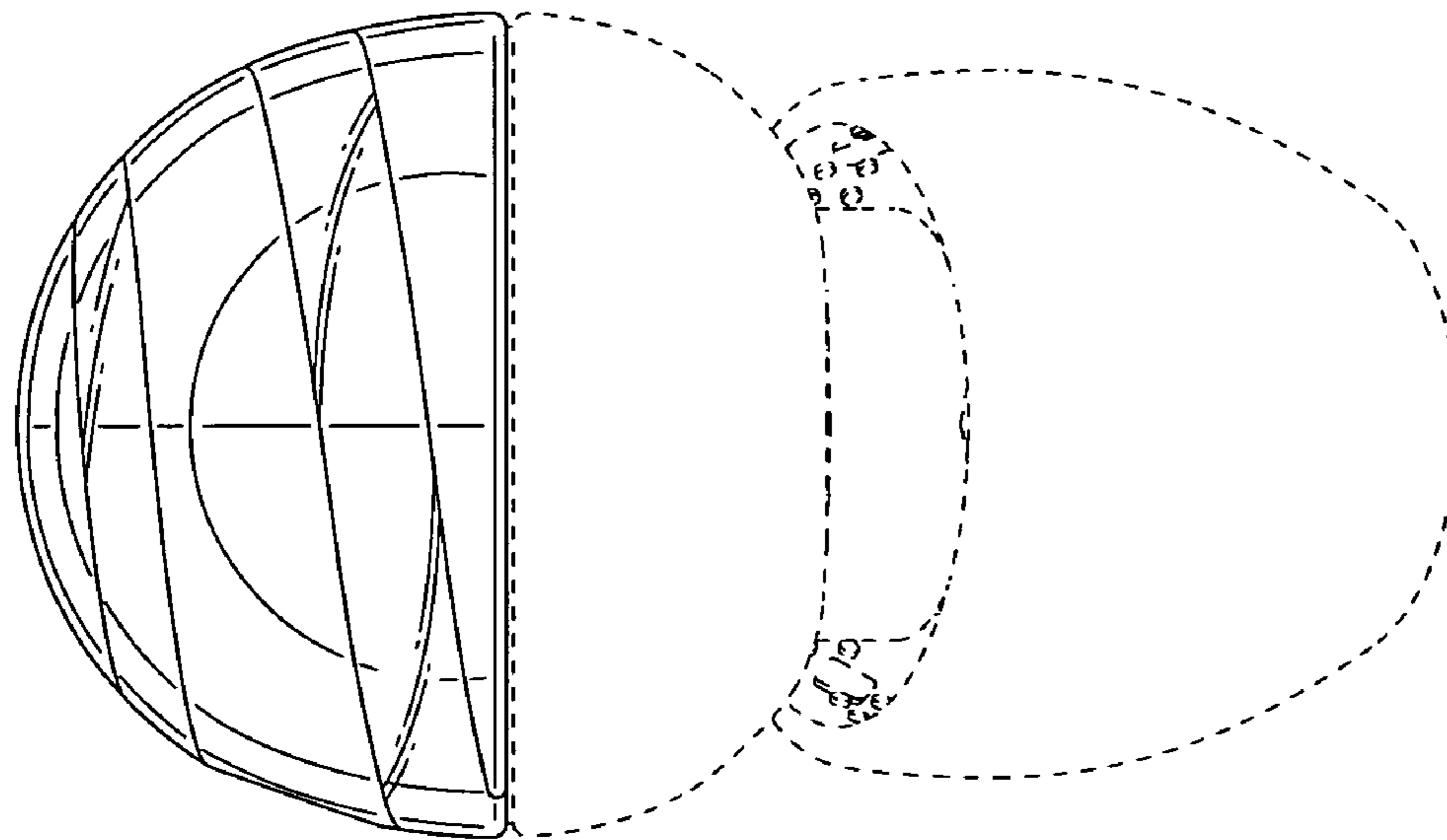


FIG.17

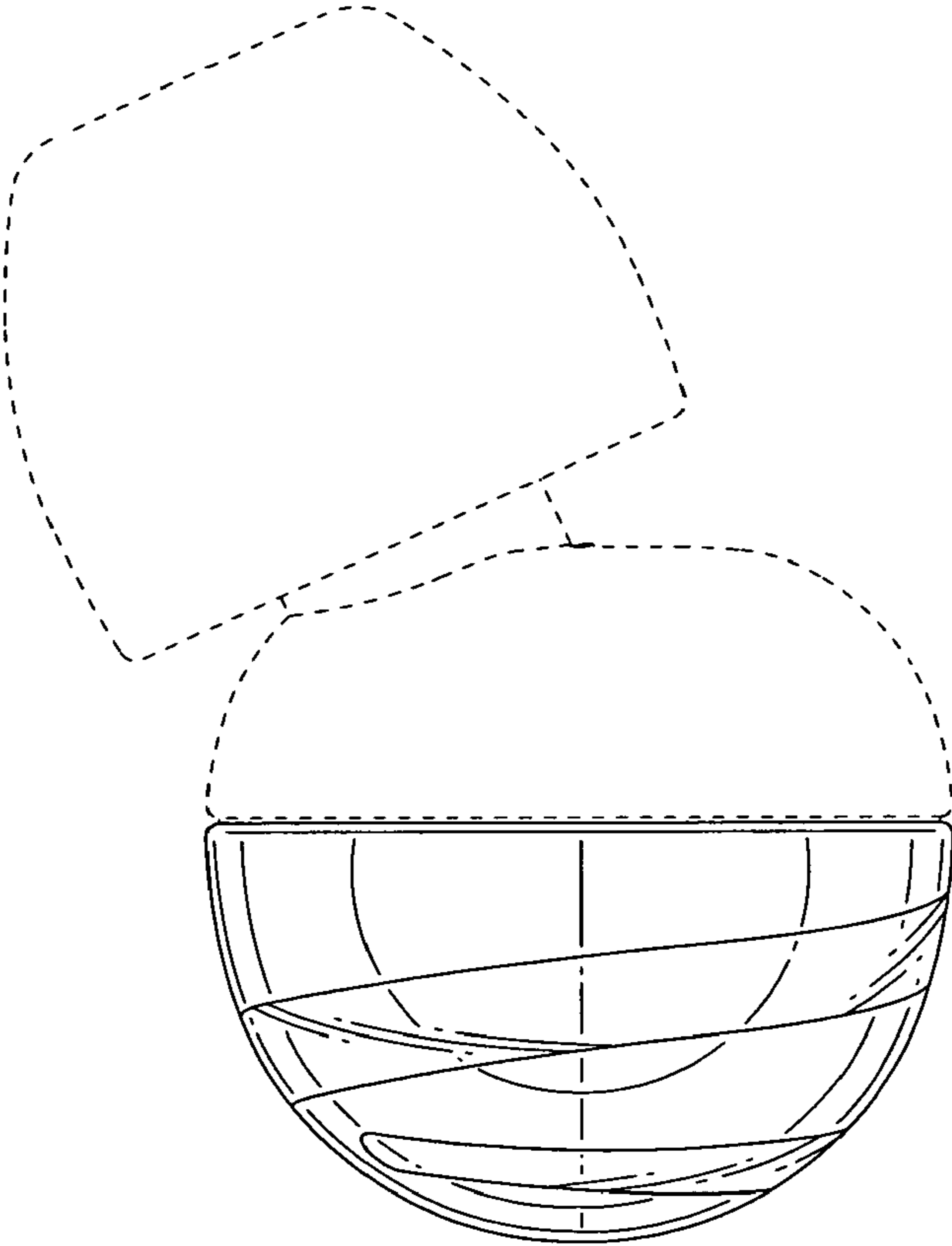


FIG.18

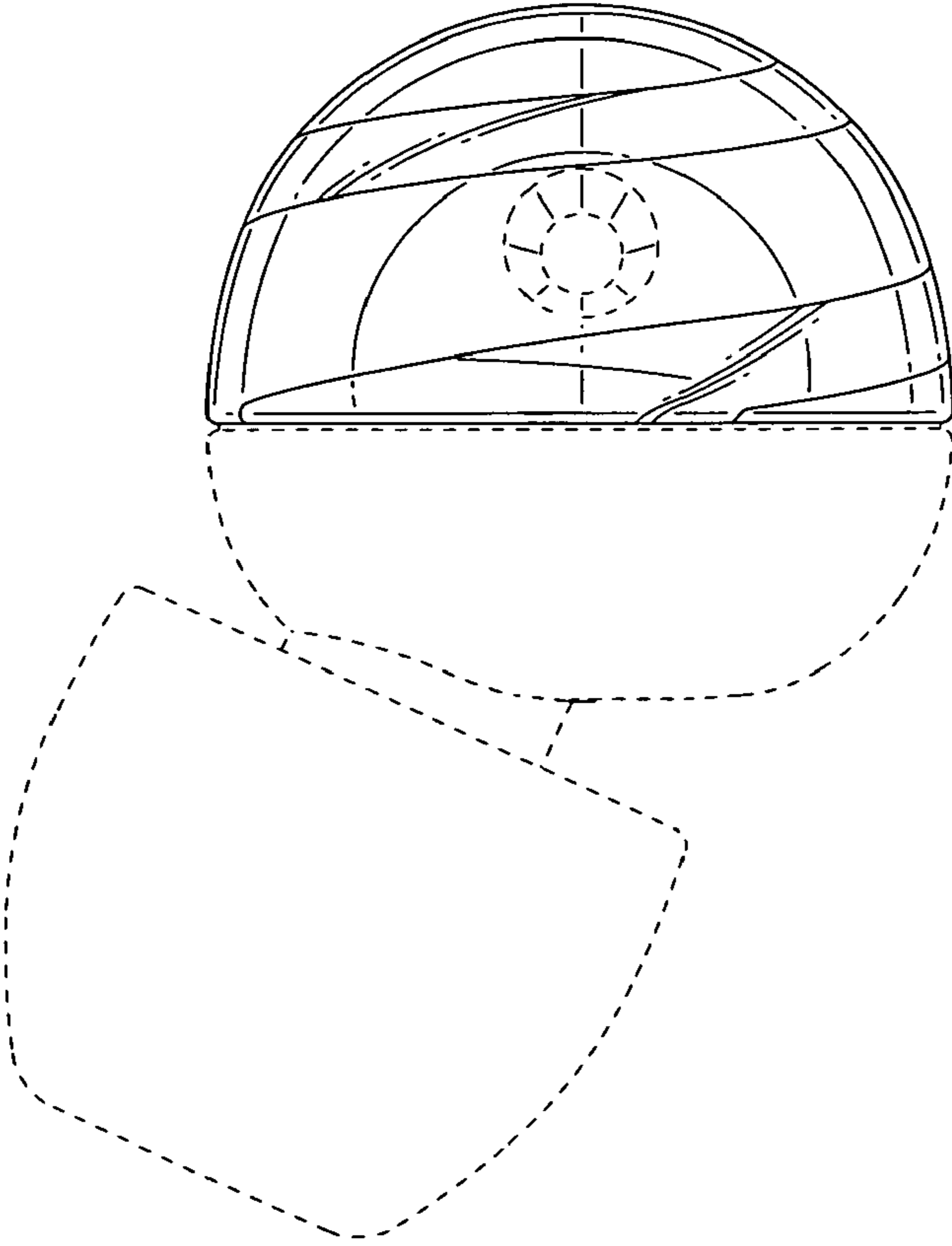


FIG.19

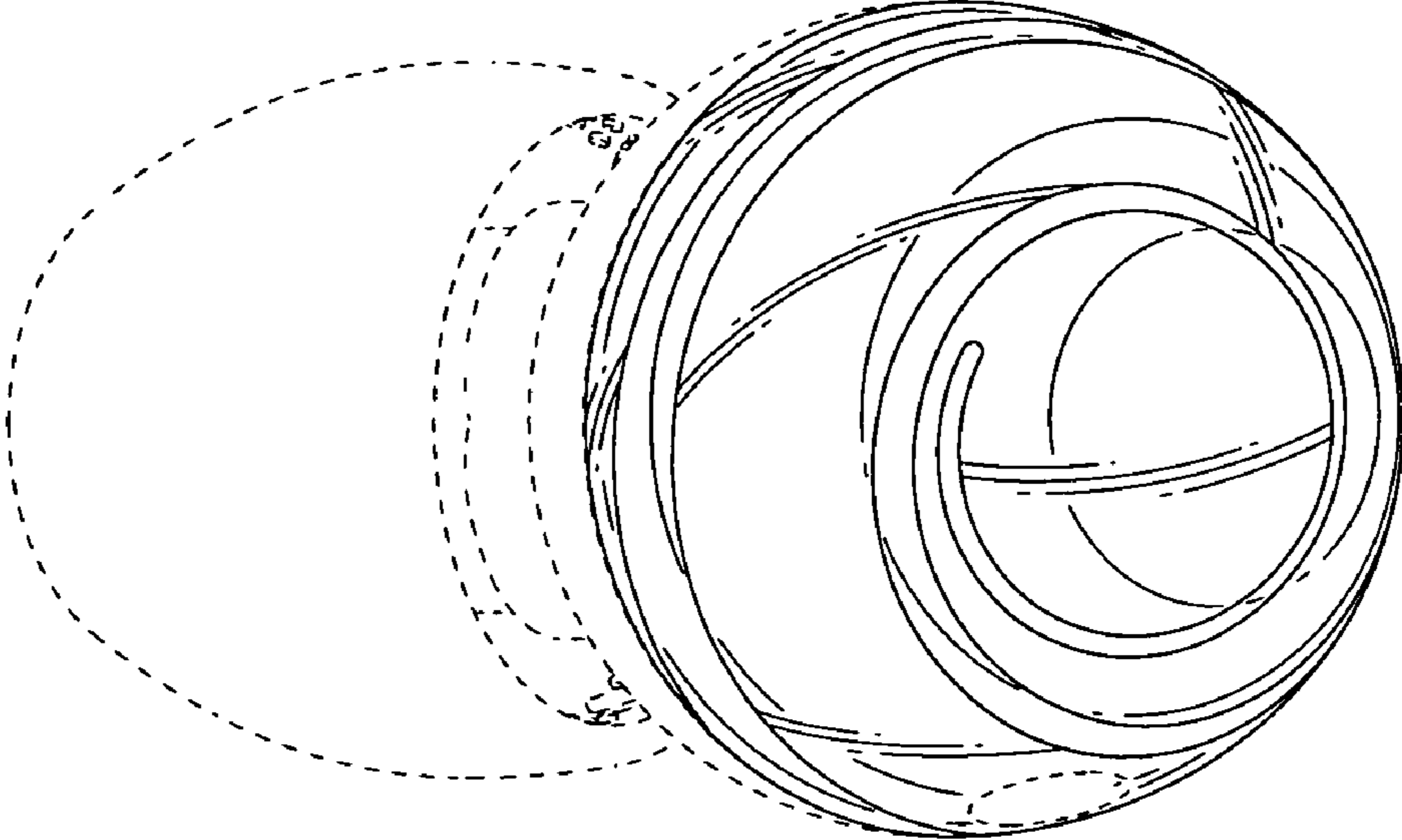


FIG.20

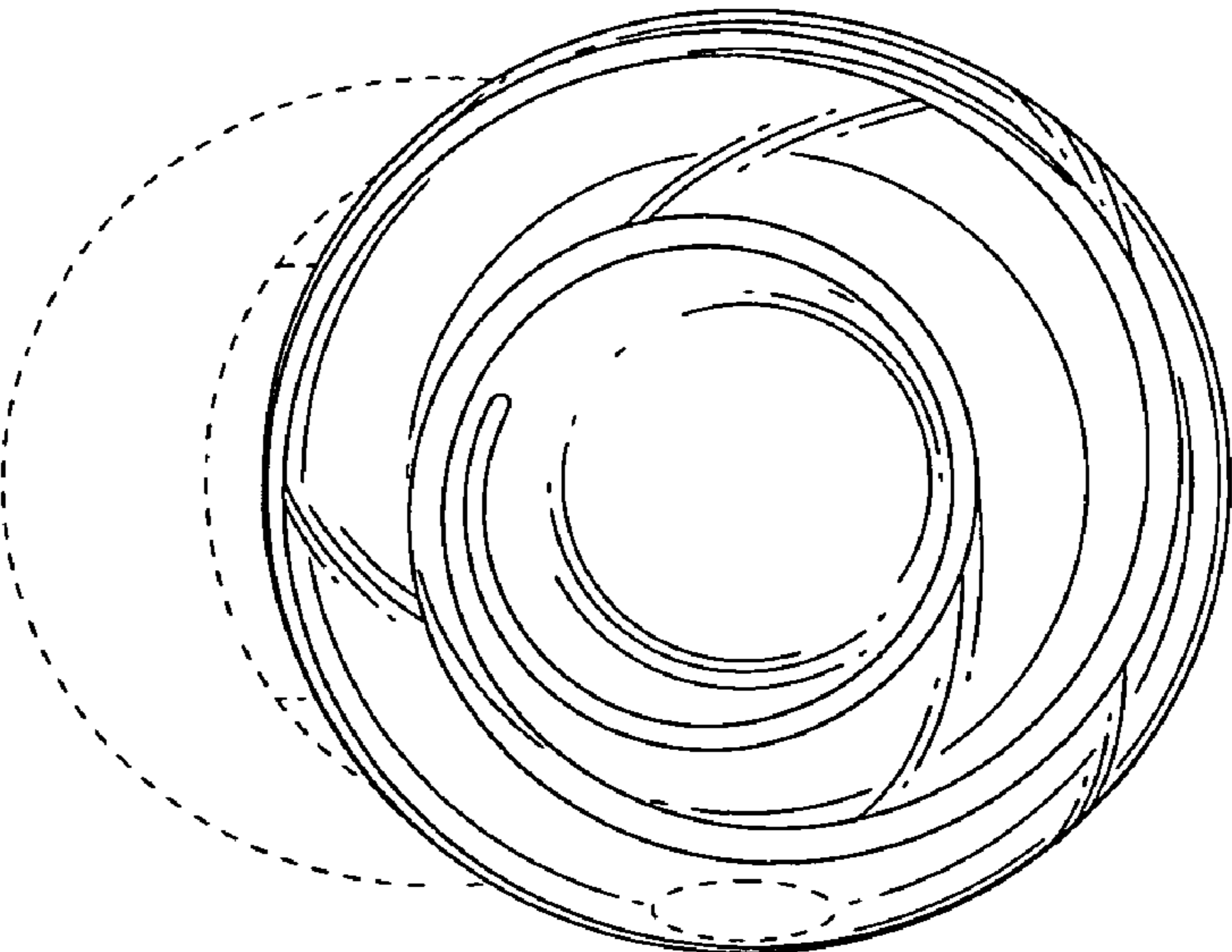


FIG.21

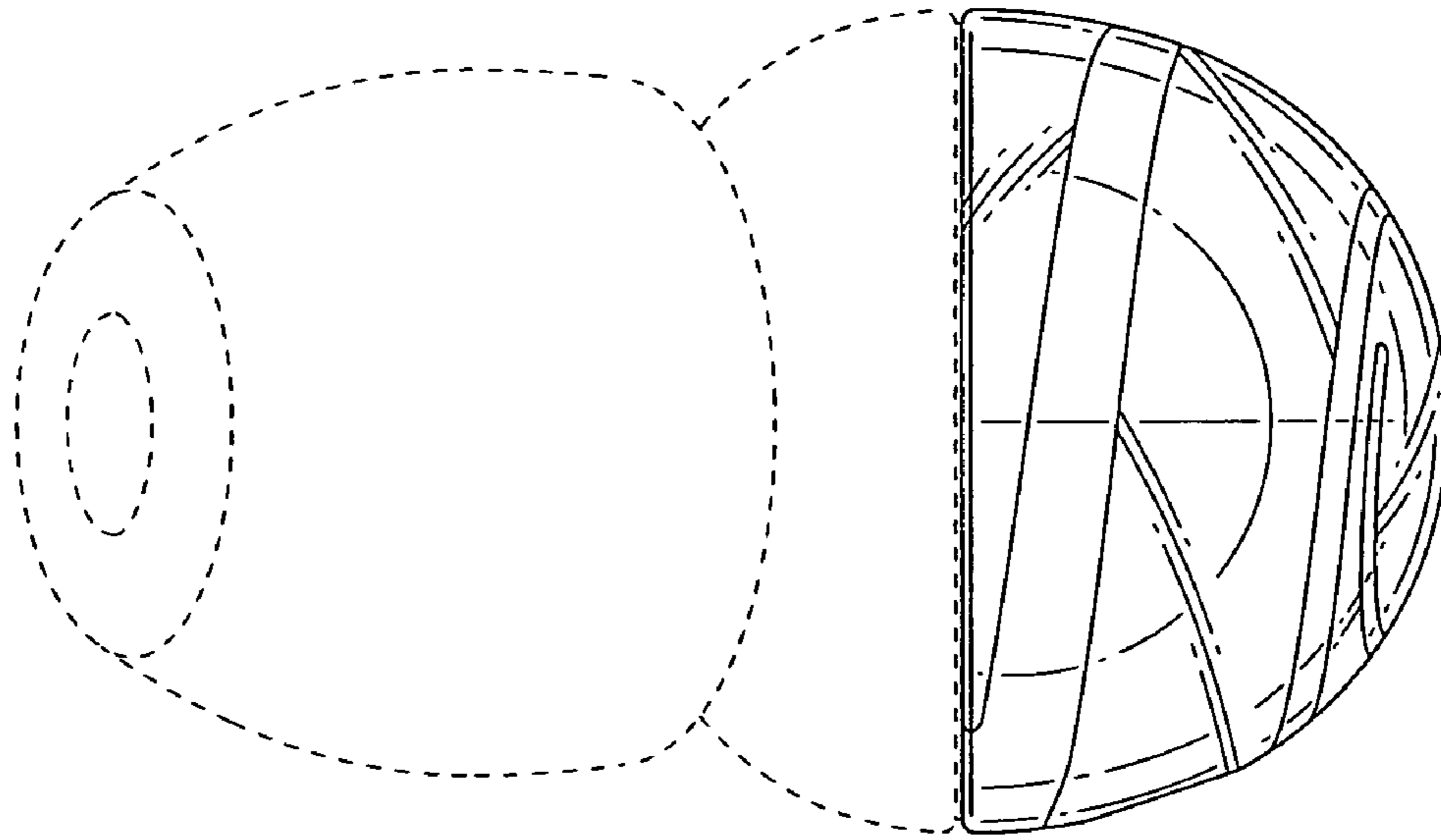


FIG.22

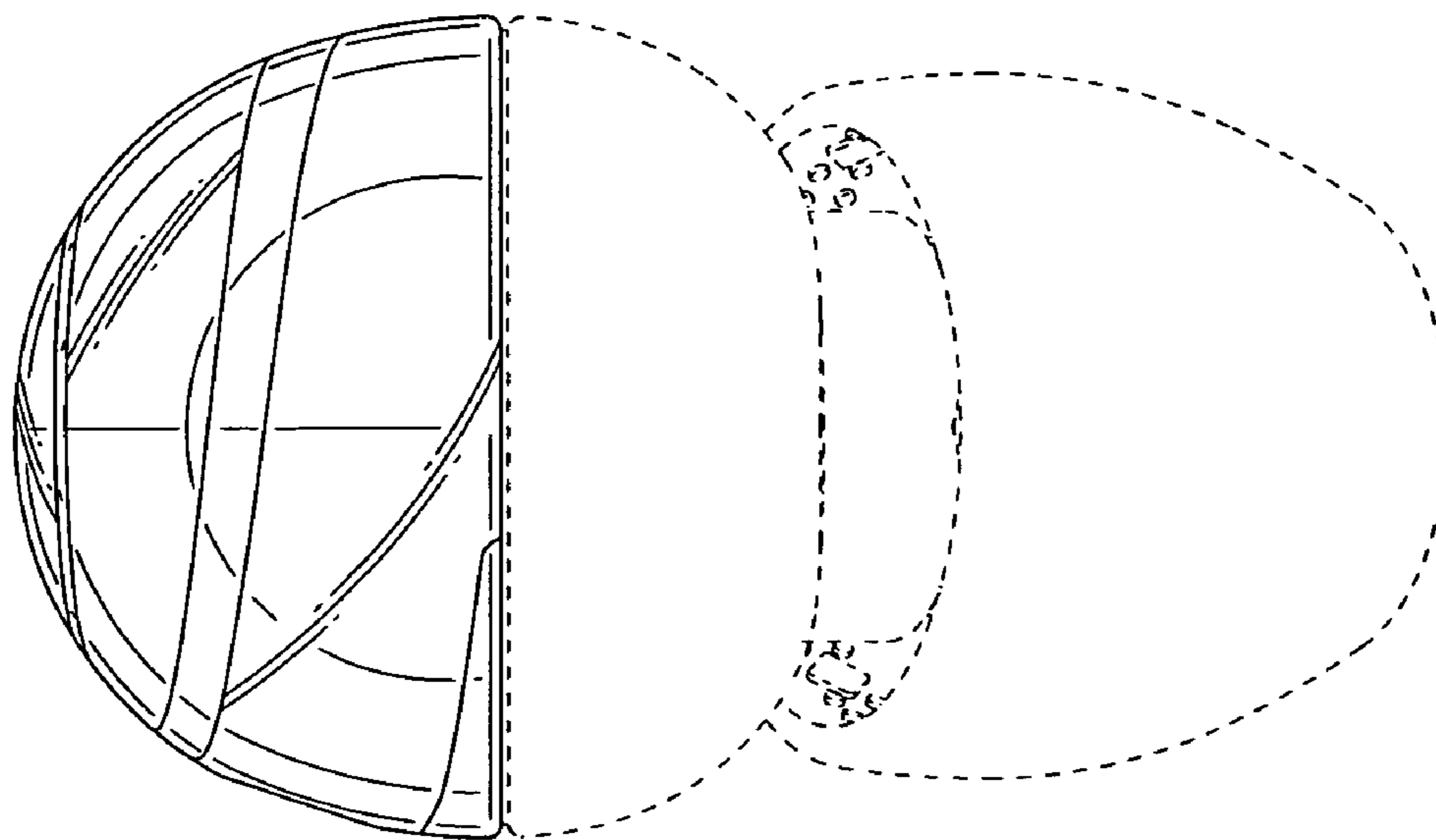




FIG.23

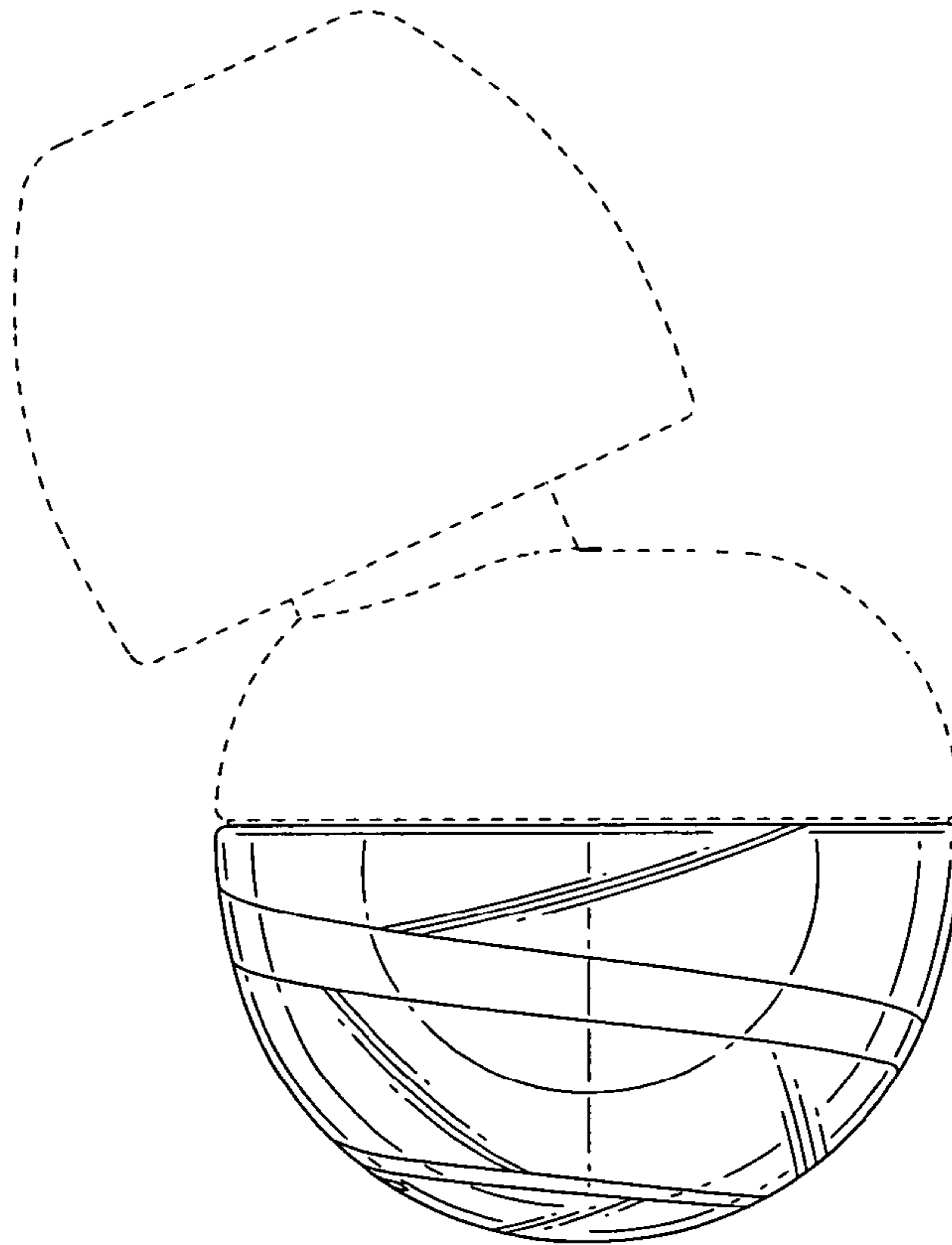


FIG.24

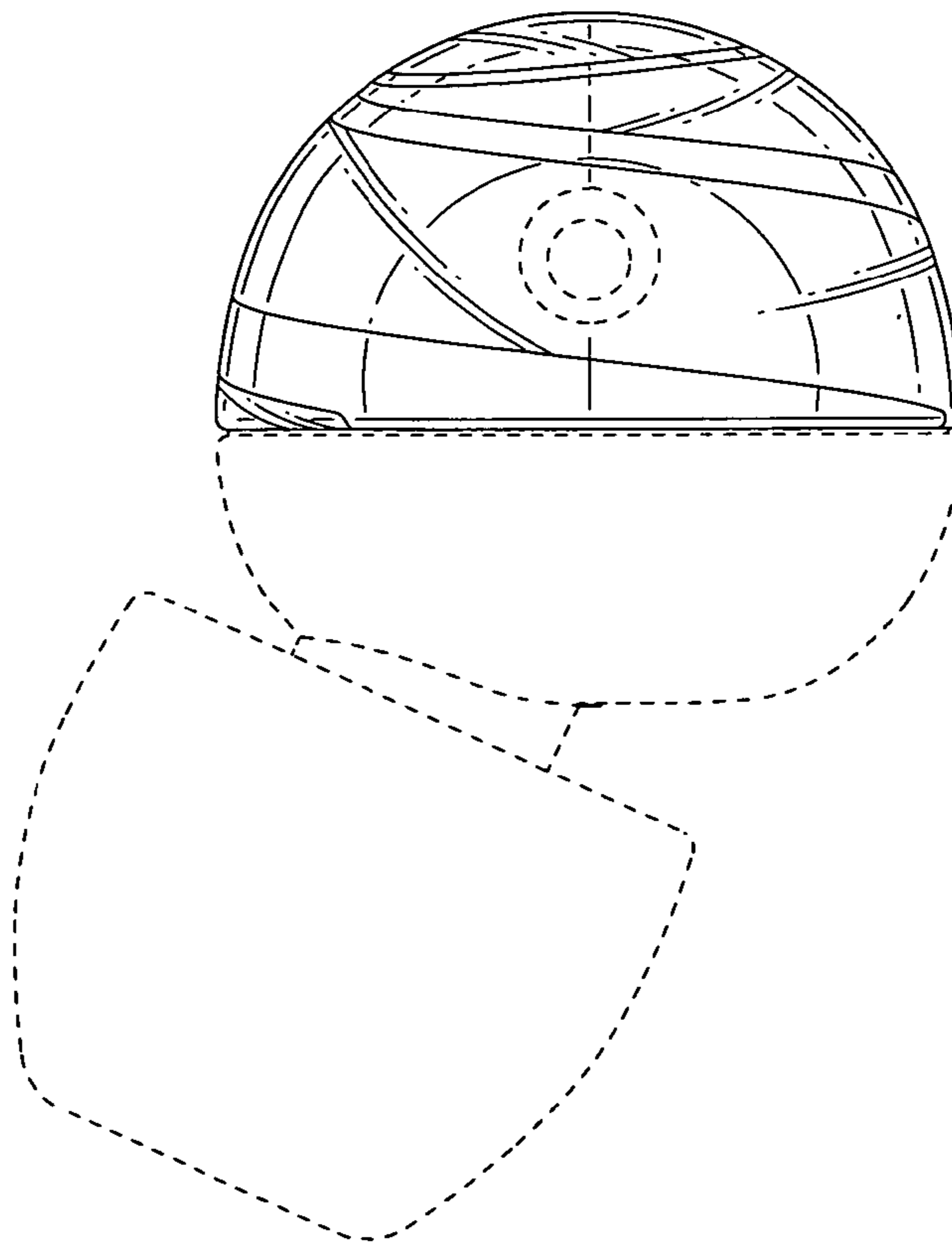


FIG.25

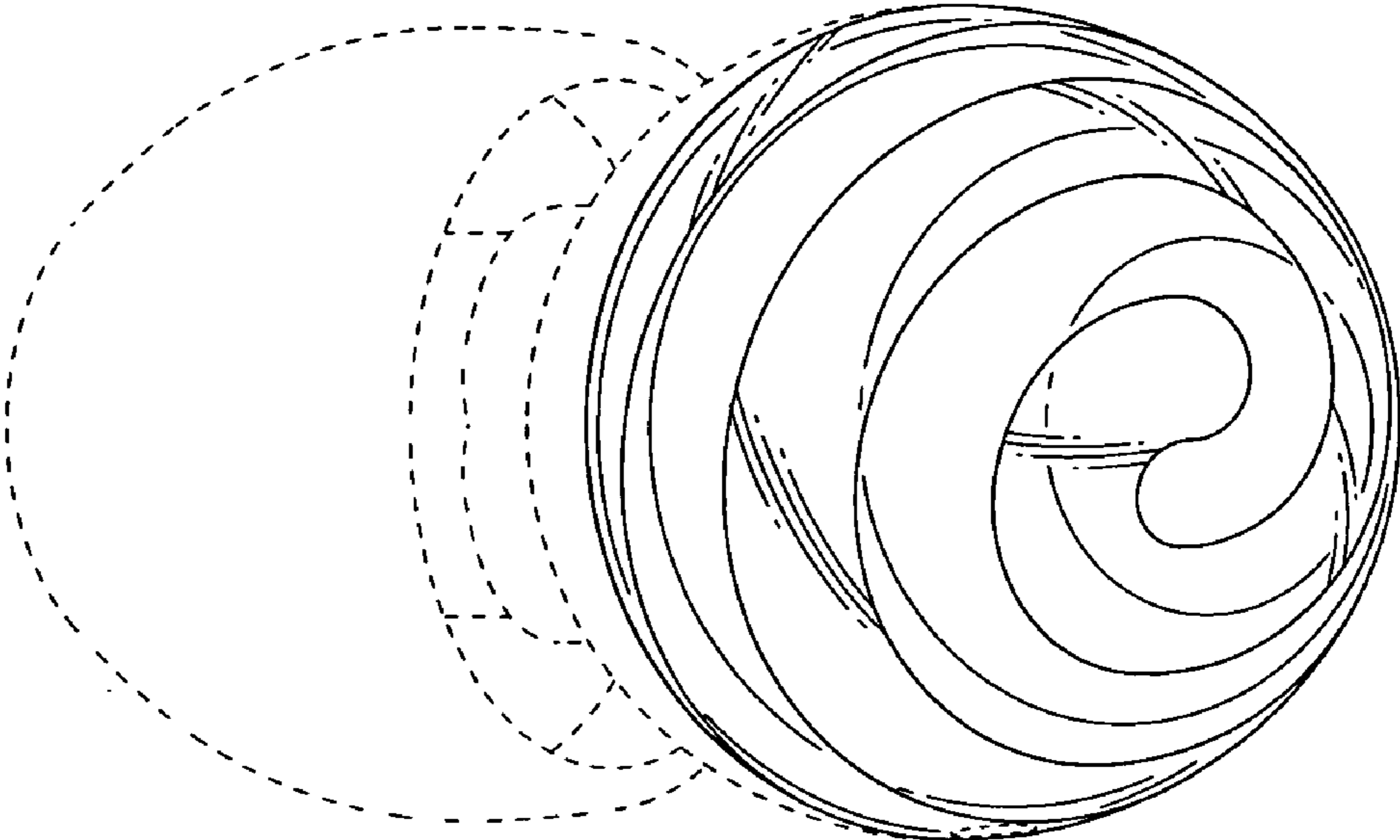


FIG.26

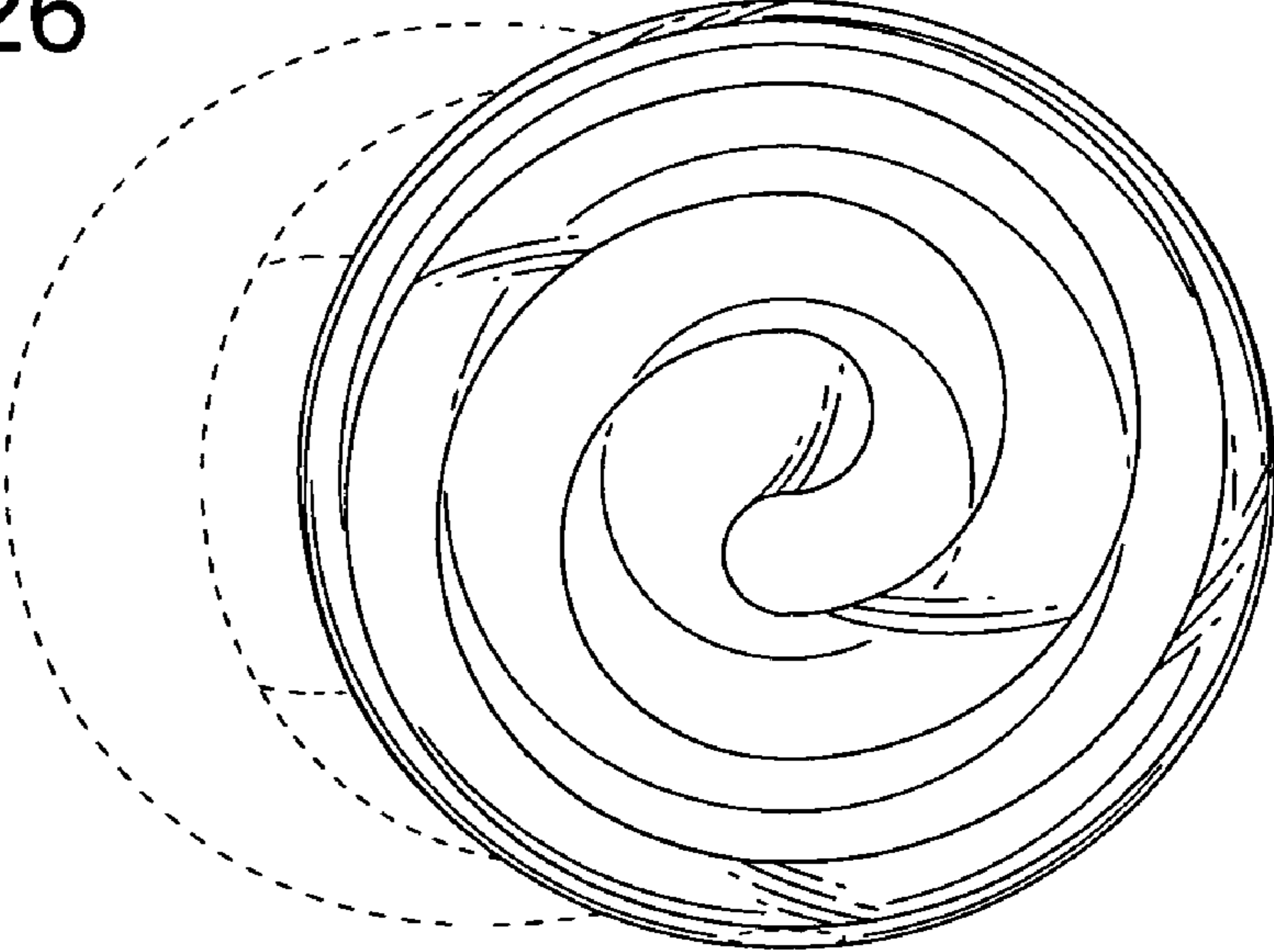


FIG.27

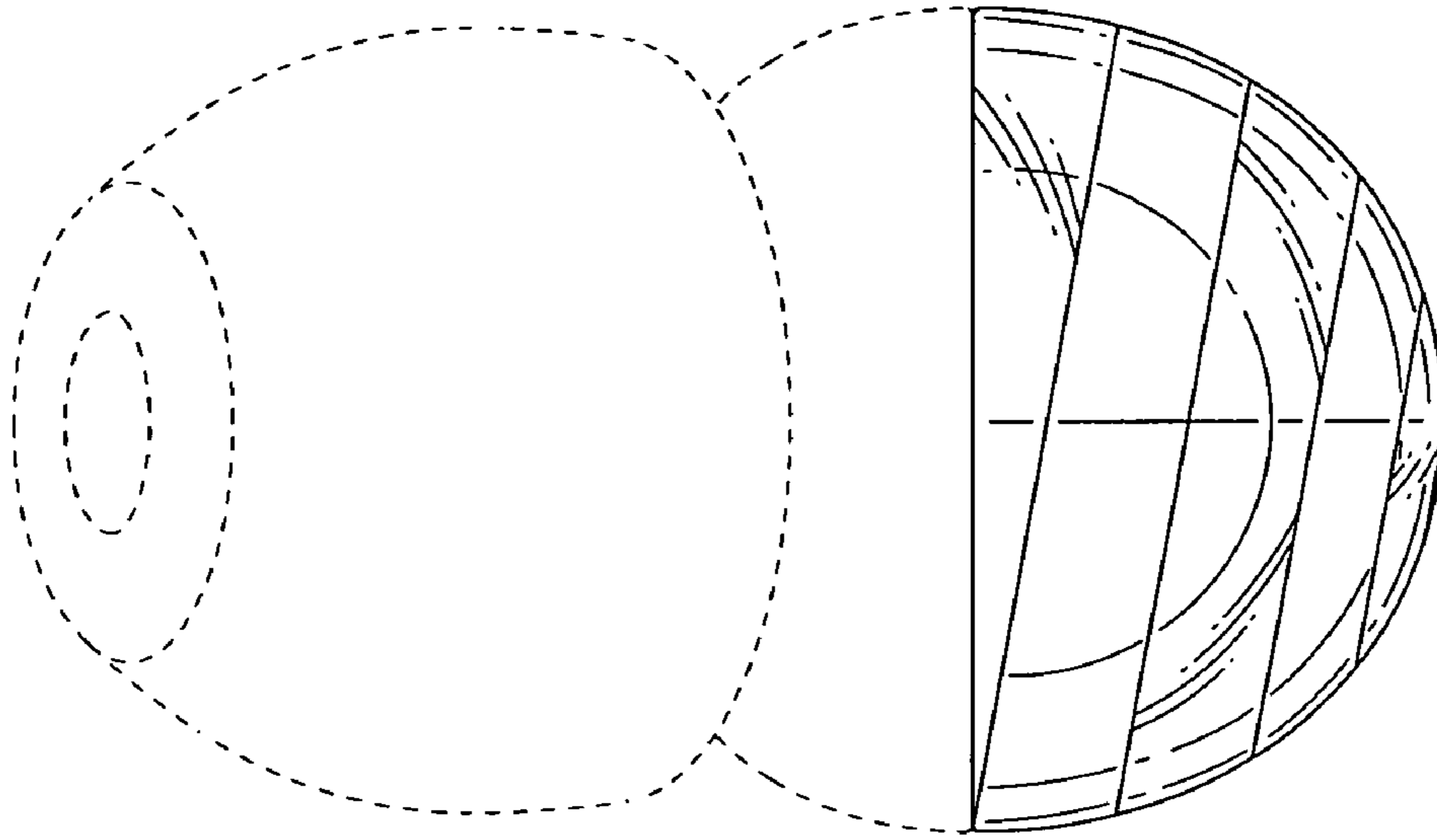


FIG.28

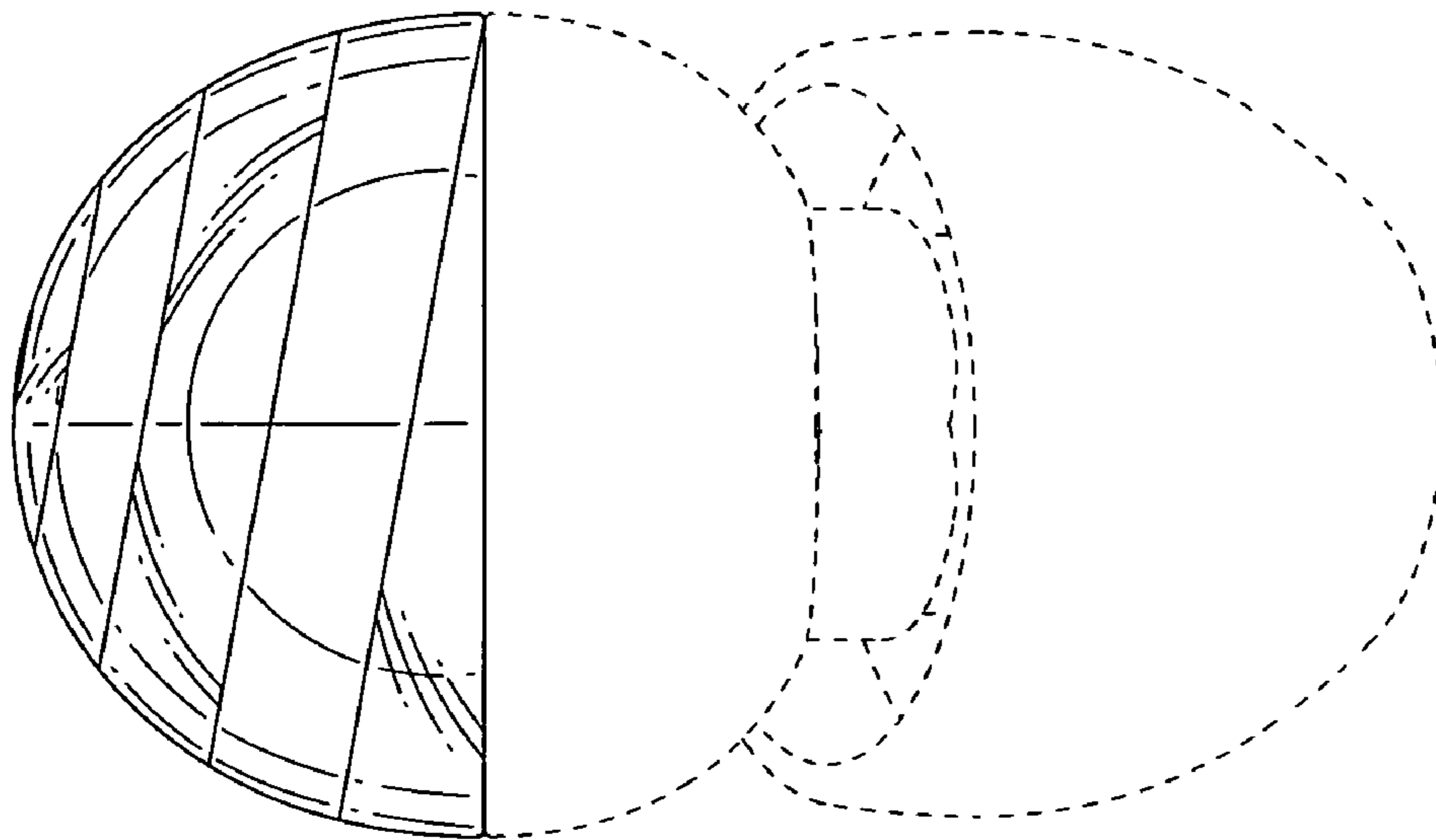


FIG.29

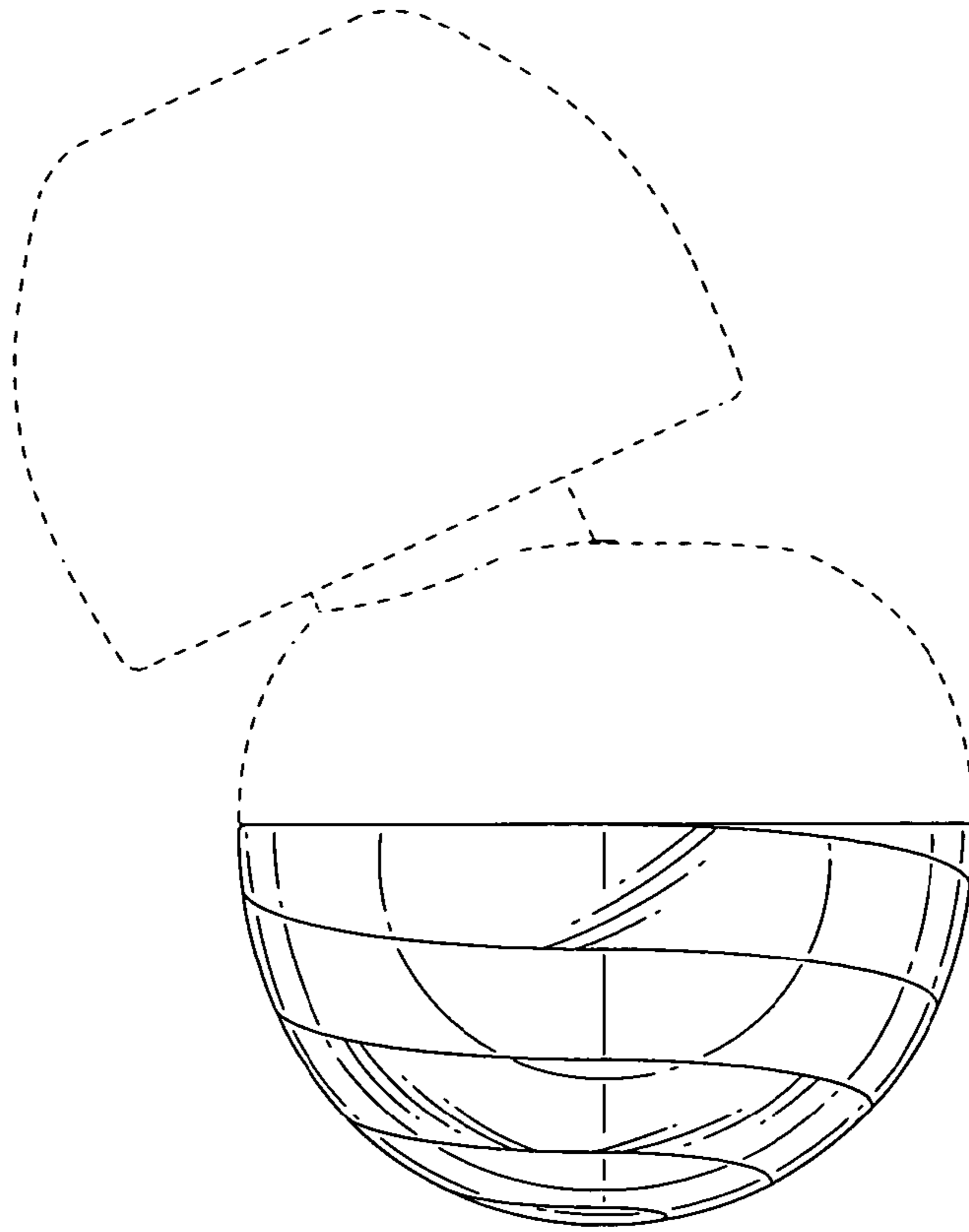


FIG.30

