



US00D669452S

(12) **United States Design Patent**
Akana et al.

(10) **Patent No.:** **US D669,452 S**
(45) **Date of Patent:** **** Oct. 23, 2012**

(54) **REMOTE CONTROL**

(75) Inventors: **Jody Akana**, San Francisco, CA (US);
Bartley K. Andre, Menlo Park, CA
(US); **Jeremy Bataillou**, San Francisco,
CA (US); **Daniel J. Coster**, San
Francisco, CA (US); **Daniele De Iuliis**,
San Francisco, CA (US); **Evans**
Hankey, San Francisco, CA (US);
Richard P. Howarth, San Francisco, CA
(US); **Jonathan P. Ive**, San Francisco,
CA (US); **Duncan Robert Kerr**, San
Francisco, CA (US); **Shin Nishibori**,
Portola Valley, CA (US); **Matthew Dean**
Rohrbach, San Francisco, CA (US);
Peter Russell-Clarke, San Francisco,
CA (US); **Christopher J. Stringer**,
Woodside, CA (US); **Eugene Antony**
Whang, San Francisco, CA (US); **Rico**
Zorkendorfer, San Francisco, CA (US)

(73) Assignee: **Apple Inc.**, Cupertino, CA (US)

(**) Term: **14 Years**

(21) Appl. No.: **29/404,056**

(22) Filed: **Oct. 14, 2011**

Related U.S. Application Data

(60) Continuation of application No. 29/391,544, filed on
May 10, 2011, now Pat. No. Des. 649,138, which is a
continuation of application No. 29/366,344, filed on
Jul. 23, 2010, now Pat. No. Des. 642,161, which is a
division of application No. 29/345,286, filed on Oct.
13, 2009, now Pat. No. Des. 620,456.

(51) **LOC (9) Cl.** **14-03**

(52) **U.S. Cl.** **D14/218**

(58) **Field of Classification Search** D14/218,
D14/455; D13/168; D21/566; D10/104,
D10/106; 345/169; 348/14.05, 114, 211.99,
348/734; 340/825.24; 341/22; 455/92, 95,
455/128, 151.1-151.4, 352, 355, FOR. 121;
700/65

See application file for complete search history.

(56) **References Cited**

U.S. PATENT DOCUMENTS

2,521,423	A	9/1950	Stuck	
D299,922	S *	2/1989	Schremmer	D14/218
D381,663	S	7/1997	Friis	
D396,860	S	8/1998	Yasutomi	
D433,404	S	11/2000	Thakur	
D475,359	S	6/2003	Hirose	
D477,590	S	7/2003	Ahn	
D496,031	S	9/2004	Ma et al.	
D500,301	S	12/2004	Deguchi	
D500,485	S	1/2005	Deguchi	
D506,476	S	6/2005	Andre et al.	
D509,480	S	9/2005	Li	

(Continued)

FOREIGN PATENT DOCUMENTS

JP D1204966 5/2004

Primary Examiner — John Windmuller

(74) *Attorney, Agent, or Firm* — Sterne, Kessler,
Goldstein & Fox PLLC

(57) **CLAIM**

The ornamental design for a remote control, as shown and
described.

DESCRIPTION

FIG. 1 is a bottom front perspective view of a remote control
showing our new design;

FIG. 2 is a bottom rear perspective view thereof;

FIG. 3 is top front perspective view thereof;

FIG. 4 is top rear perspective view thereof;

FIG. 5 is a front view thereof;

FIG. 6 is a rear view thereof;

FIG. 7 is a left side view thereof;

FIG. 8 is right side view thereof;

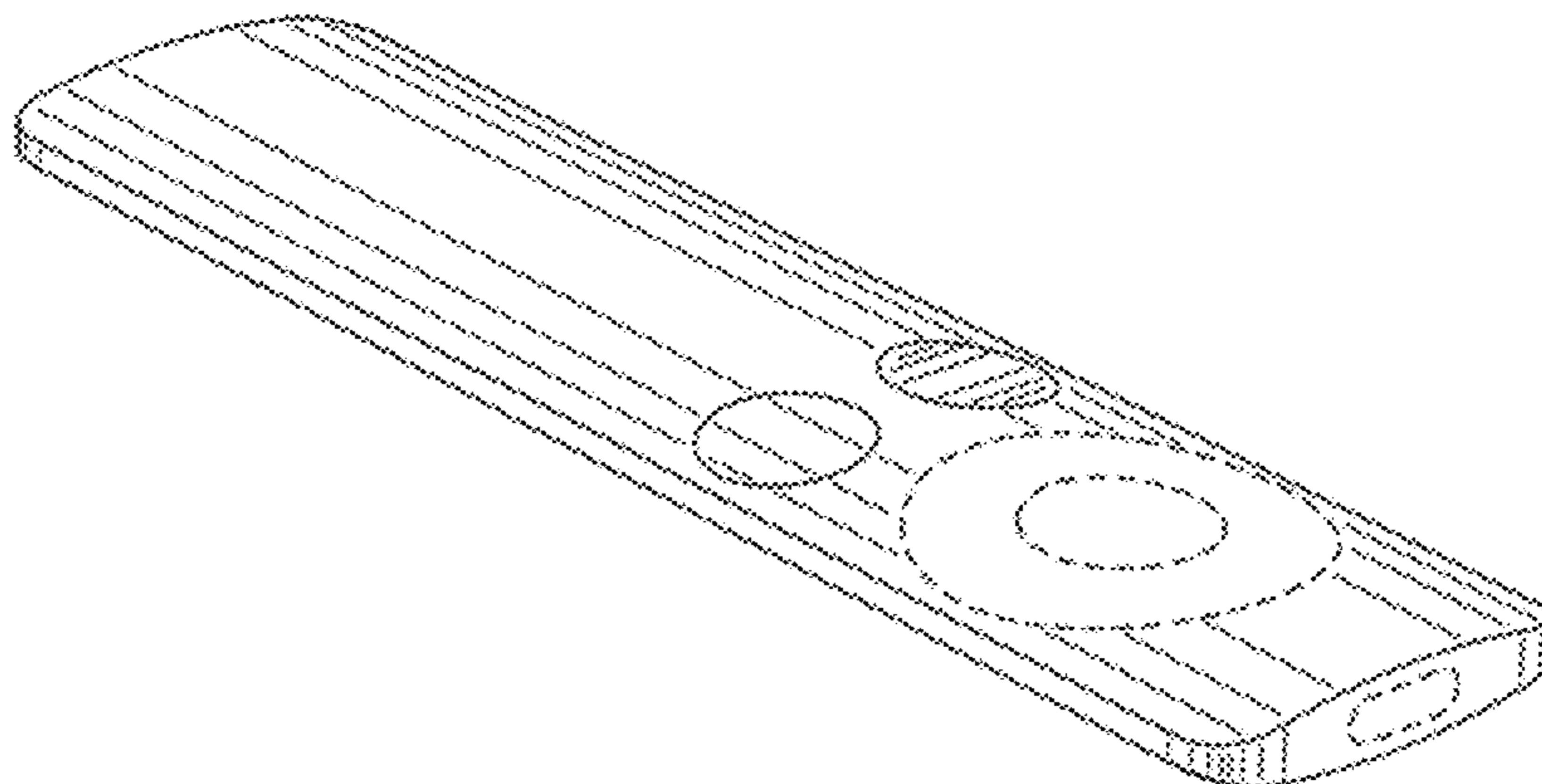
FIG. 9 is a top plan view thereof; and,

FIG. 10 is a bottom plan view thereof.

The shade lines in the Figures show contour and not surface
ornamentation.

The dashed lines in the Figures show portions of the remote
control which form no part of the claimed design.

1 Claim, 4 Drawing Sheets



US D669,452 S

Page 2

U.S. PATENT DOCUMENTS

D529,044 S	9/2006	Andre et al.	D588,611 S	3/2009	Oh et al.
D531,586 S	11/2006	Poulet	D589,963 S	4/2009	Sheba et al.
D534,921 S	1/2007	Andre et al.	D592,677 S	5/2009	Sheba et al.
D539,814 S	4/2007	Andre et al.	D595,669 S	7/2009	Endo et al.
D547,327 S	7/2007	Kin	D596,163 S	7/2009	Madonna et al.
D548,195 S	8/2007	Poulet	D602,473 S	10/2009	Møller et al.
D550,703 S	9/2007	Koizumi	D604,713 S	11/2009	Andre et al.
D550,714 S	9/2007	Ferraboshi	D604,723 S	11/2009	Bodley et al.
D551,215 S	9/2007	Lee, Jr. et al.	D605,635 S	12/2009	Edahiro et al.
D556,154 S	11/2007	Poulet et al.	D606,519 S	12/2009	Painter
D557,666 S	12/2007	Schröter	D608,303 S	1/2010	Klausning et al.
D560,230 S	1/2008	Yagi et al.	D608,765 S	1/2010	Tsai et al.
D567,801 S	4/2008	Trappler	D609,695 S	2/2010	Cigliano et al.
D568,338 S	5/2008	Andre et al.	D611,433 S	3/2010	Tang et al.
D568,827 S	5/2008	Ikedo et al.	D622,696 S	8/2010	Akana et al.
D571,305 S	6/2008	Thursfield	D626,530 S	11/2010	Andre et al.
D578,168 S	10/2008	Looks et al.	D631,851 S	2/2011	Smith et al.
D584,292 S	1/2009	Knight	D651,589 S *	1/2012	Fischer D14/218
D585,077 S	1/2009	Sheba et al.	2004/0125078 A1	7/2004	Nishimori et al.
D585,876 S *	2/2009	Griffin D14/218	2005/0024321 A1	2/2005	Tsai

* cited by examiner

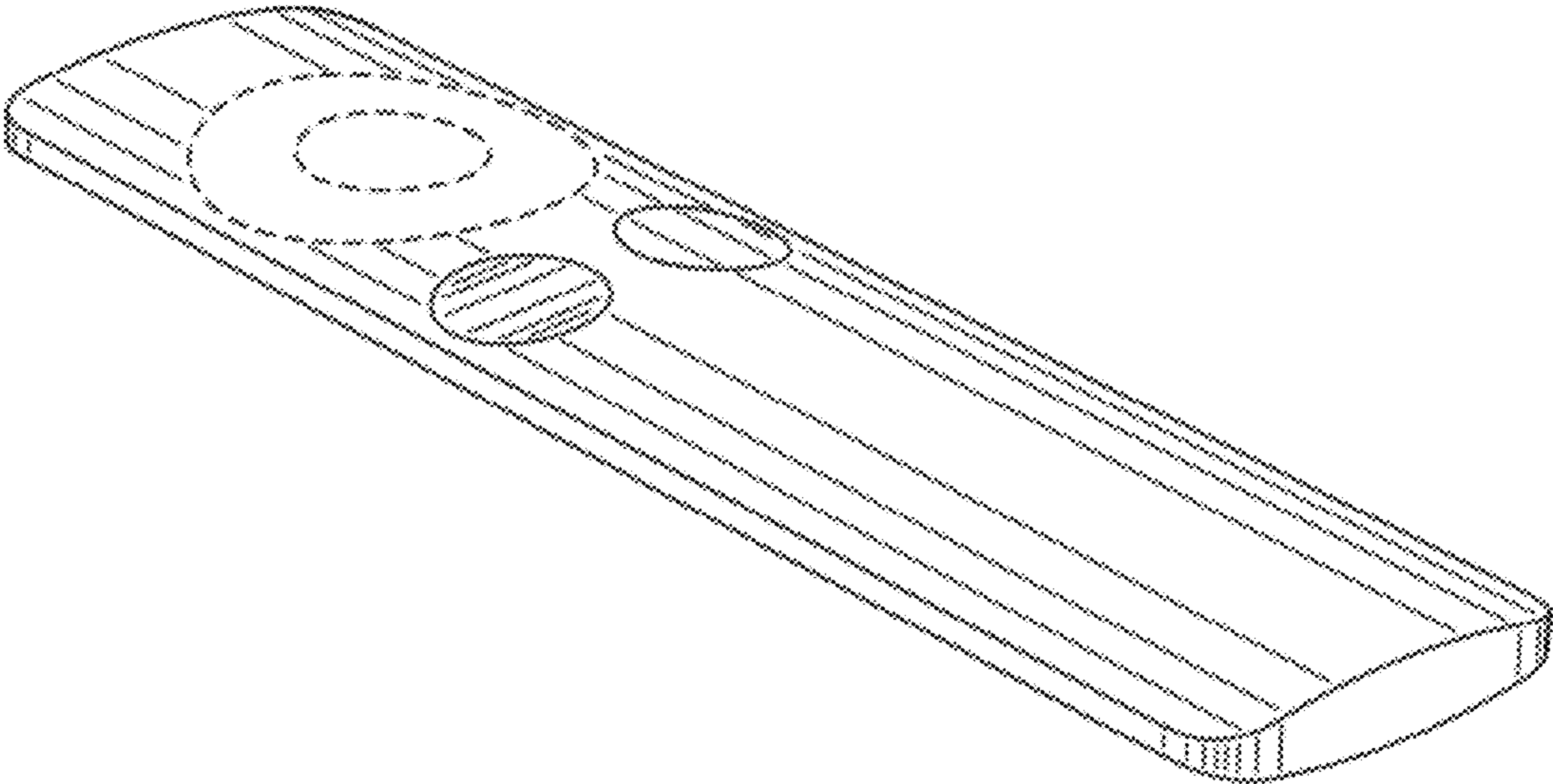


FIG. 1

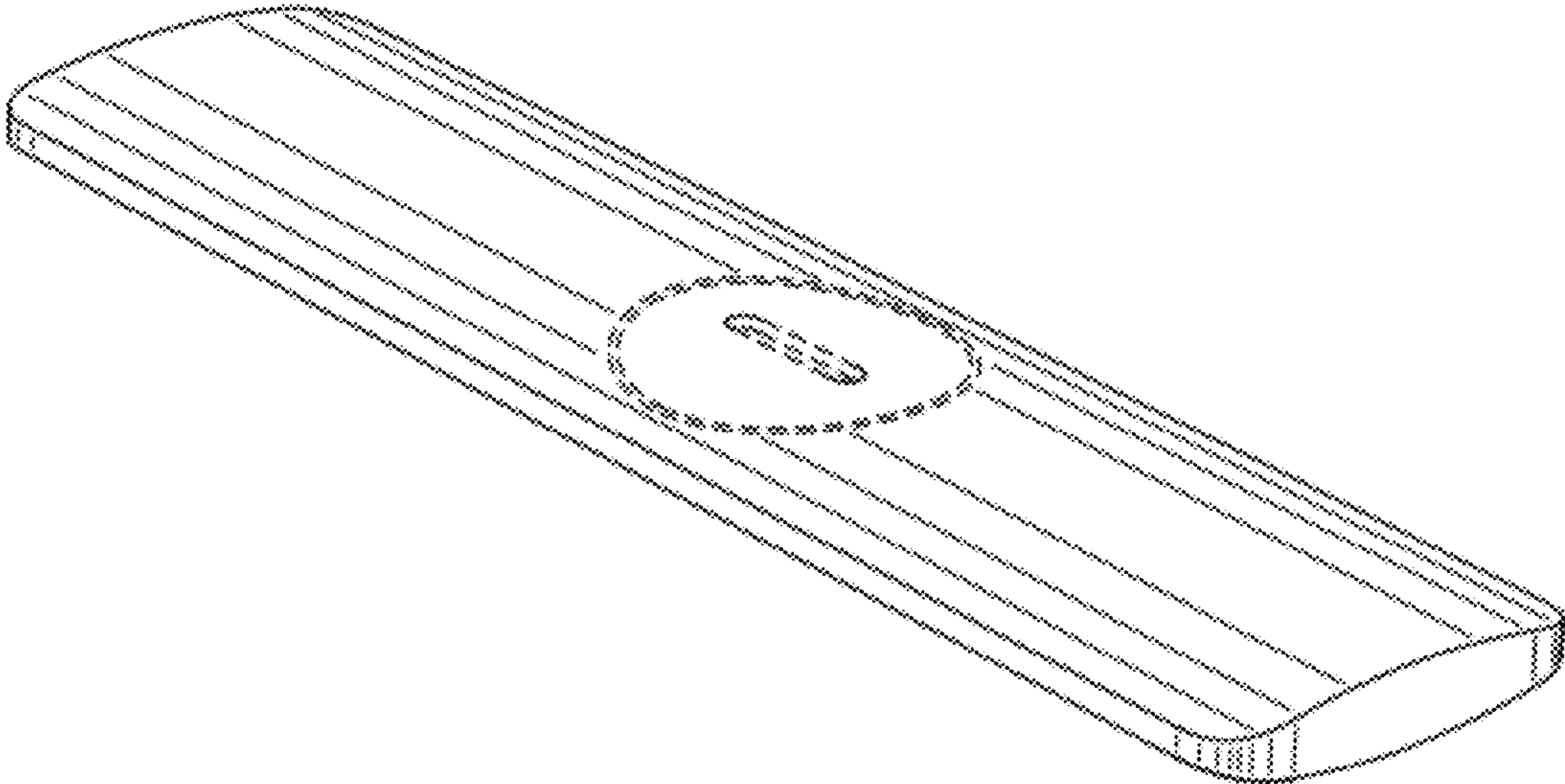


FIG. 2

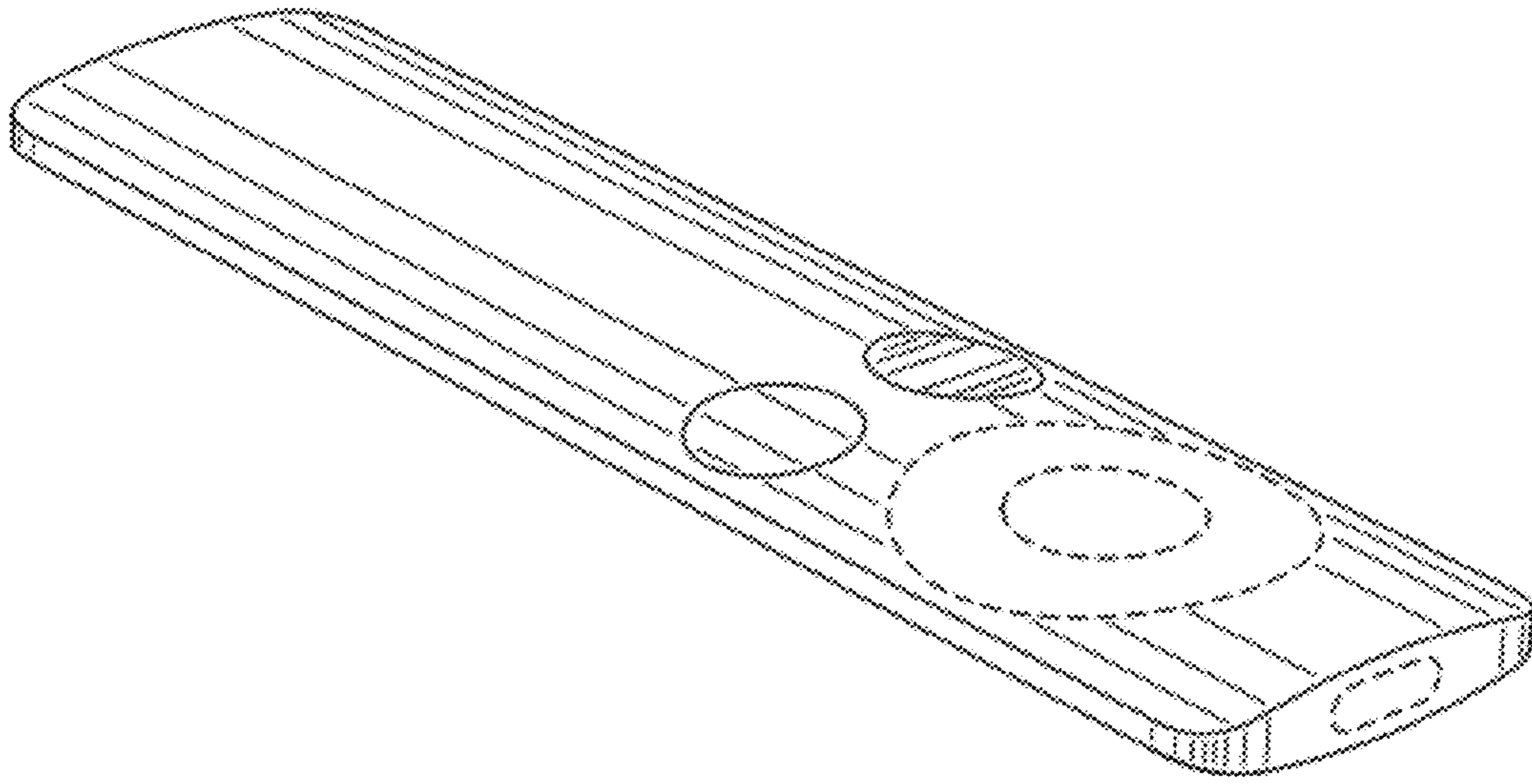


FIG. 3

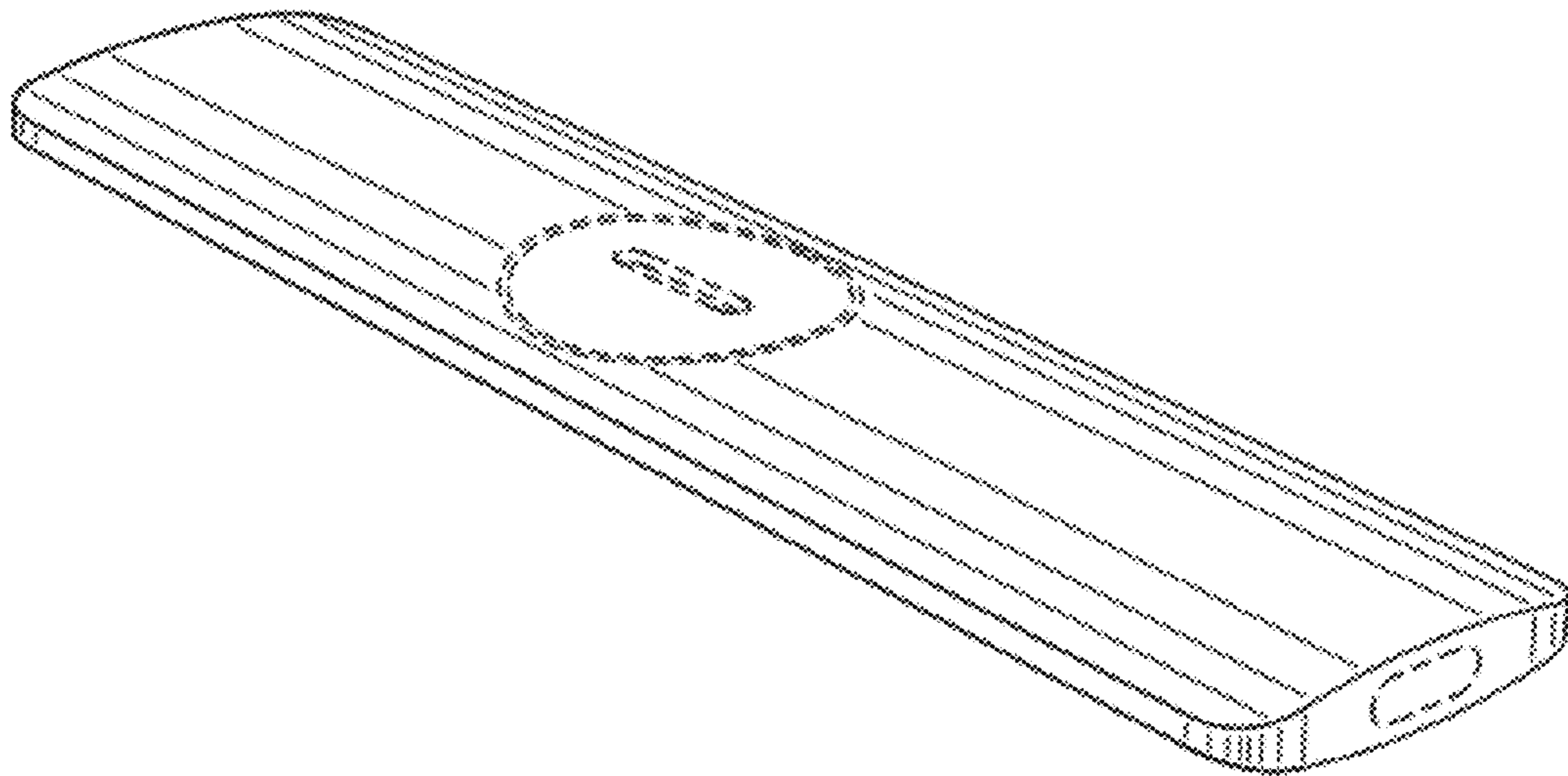


FIG. 4

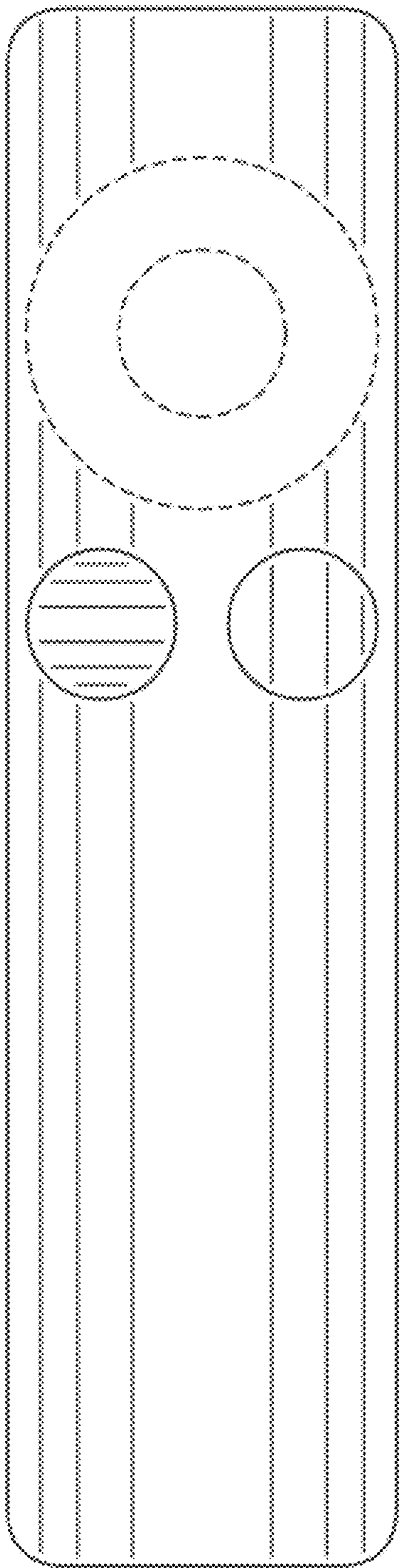


FIG. 5

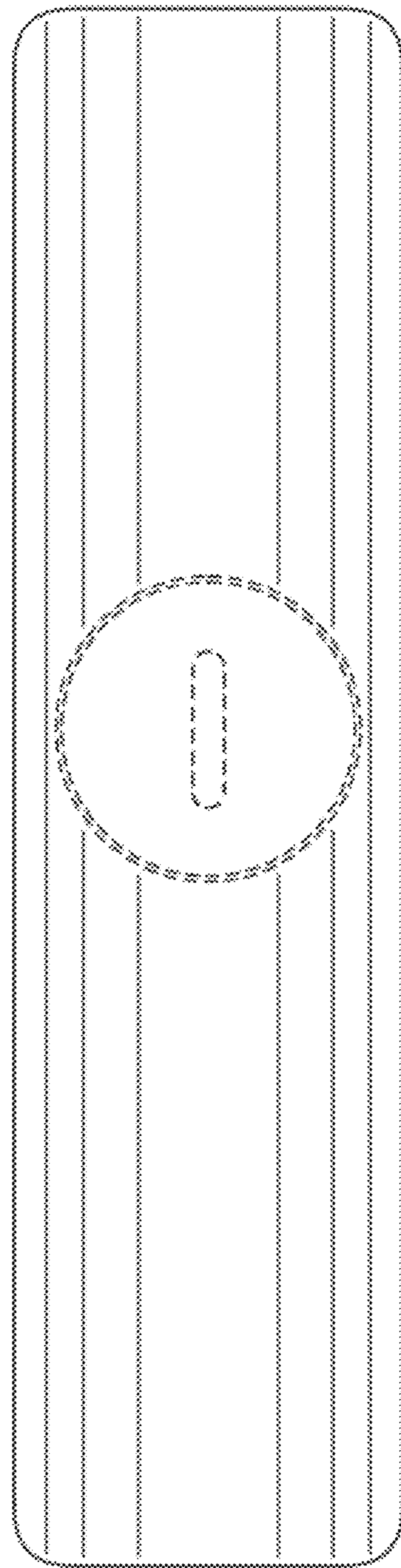


FIG. 6

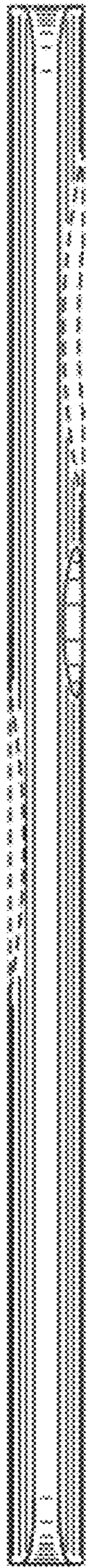


FIG. 7

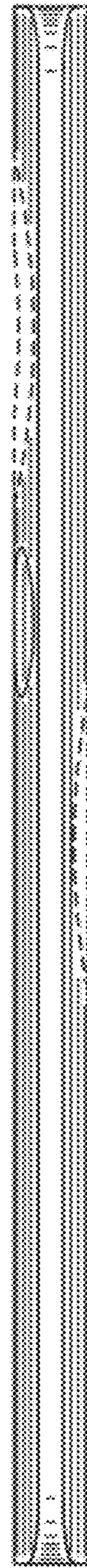


FIG. 8

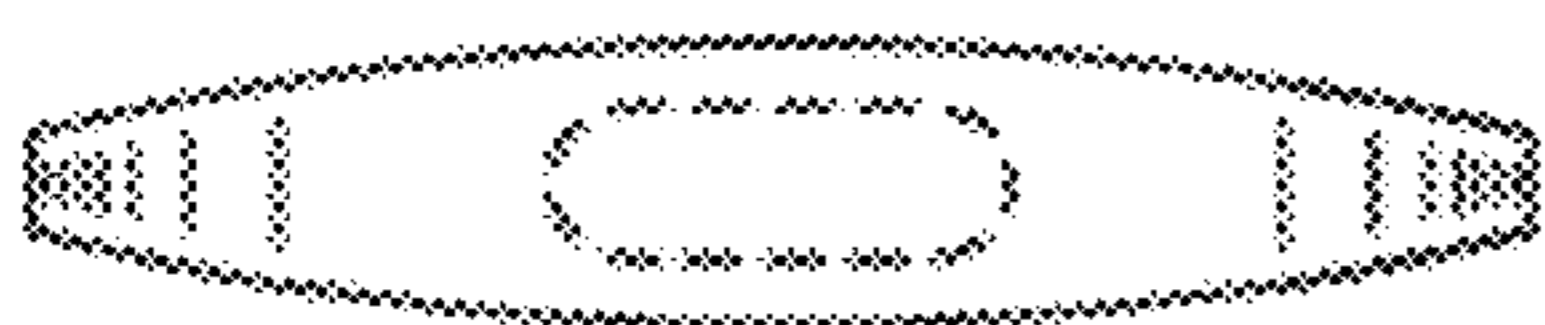


FIG. 9



FIG. 10