

US00D669450S

(12) **United States Design Patent**
Katsumata

(10) **Patent No.:** **US D669,450 S**

(45) **Date of Patent:** **** Oct. 23, 2012**

(54) **HEADPHONE**

(75) Inventor: **Kenji Katsumata**, Tokyo (JP)

(73) Assignee: **Sony Corporation**, Tokyo (JP)

(**) Term: **14 Years**

(21) Appl. No.: **29/371,955**

(22) Filed: **Feb. 10, 2012**

(30) **Foreign Application Priority Data**

Aug. 12, 2011 (CN) 2011 3 0270344
Aug. 26, 2011 (JP) D2011-019415

(51) **LOC (9) Cl.** **14-01**

(52) **U.S. Cl.** **D14/205**

(58) **Field of Classification Search** D14/205,
D14/206, 223, 192; 181/129, 130, 135; 379/430,
379/431; 381/380, 381, 370, 371; D29/112;
2/209; 455/90.3, 575.2

See application file for complete search history.

(56) **References Cited**

U.S. PATENT DOCUMENTS

2,537,253	A *	1/1951	Andersen	381/420
2,603,724	A *	7/1952	Kettler	381/372
3,051,961	A *	9/1962	Clark	2/209
3,220,505	A *	11/1965	Hargrave	181/129
3,272,926	A *	9/1966	Falkenberg	381/372
4,571,746	A *	2/1986	Gorike	2/209
D321,881	S *	11/1991	Hopewell	D14/192
D328,074	S *	7/1992	Yamazaki et al.	D14/205
D337,115	S *	7/1993	Yamazaki et al.	D14/205
D353,817	S *	12/1994	Wada	D14/205
5,574,795	A *	11/1996	Seki	381/370
5,887,286	A *	3/1999	Waldron	2/209
D439,574	S *	3/2001	Katayama	D14/203.5
D441,350	S *	5/2001	Nakamura et al.	D14/509
D444,140	S *	6/2001	Ishibashi	D14/192

D484,485	S *	12/2003	Matsuoka	D14/205
D505,411	S *	5/2005	Sakai	D14/192
D510,335	S	10/2005	Suzuki		
D517,526	S	3/2006	Komiyama		
D519,985	S *	5/2006	Wikel et al.	D14/205
7,172,052	B2 *	2/2007	Lenhard-Backhaus	181/129
D568,290	S *	5/2008	Wikel	D14/205
D573,581	S *	7/2008	Gondo et al.	D14/205
D585,872	S *	2/2009	Lee	D14/205
D588,098	S	3/2009	Kurihara		
D594,847	S	6/2009	Suzuki		
D617,770	S	6/2010	Sanguinetti et al.		
D625,705	S *	10/2010	Ohori et al.	D14/205
D635,959	S	4/2011	Hutchieson		
D637,176	S	5/2011	Brunner et al.		
D639,776	S *	6/2011	Arimoto	D14/205
D657,776	S *	4/2012	Lee et al.	D14/205
D659,116	S *	5/2012	Iseki	D14/205

* cited by examiner

Primary Examiner — Paula Greene

(74) *Attorney, Agent, or Firm* — Rader, Fishman & Grauer PLLC

(57) **CLAIM**

The ornamental design for a headphone, as shown and described.

DESCRIPTION

FIG. 1 is a perspective view of a headphone showing my new design;
FIG. 2 is a front elevational view thereof;
FIG. 3 is a rear elevational view thereof;
FIG. 4 is a left side elevational view thereof;
FIG. 5 is a right side elevational view thereof;
FIG. 6 is a top plan view thereof; and,
FIG. 7 is a bottom plan view thereof.
The portions indicated in broken lines are for illustrative purposes only and form no part of the claimed design.

1 Claim, 5 Drawing Sheets

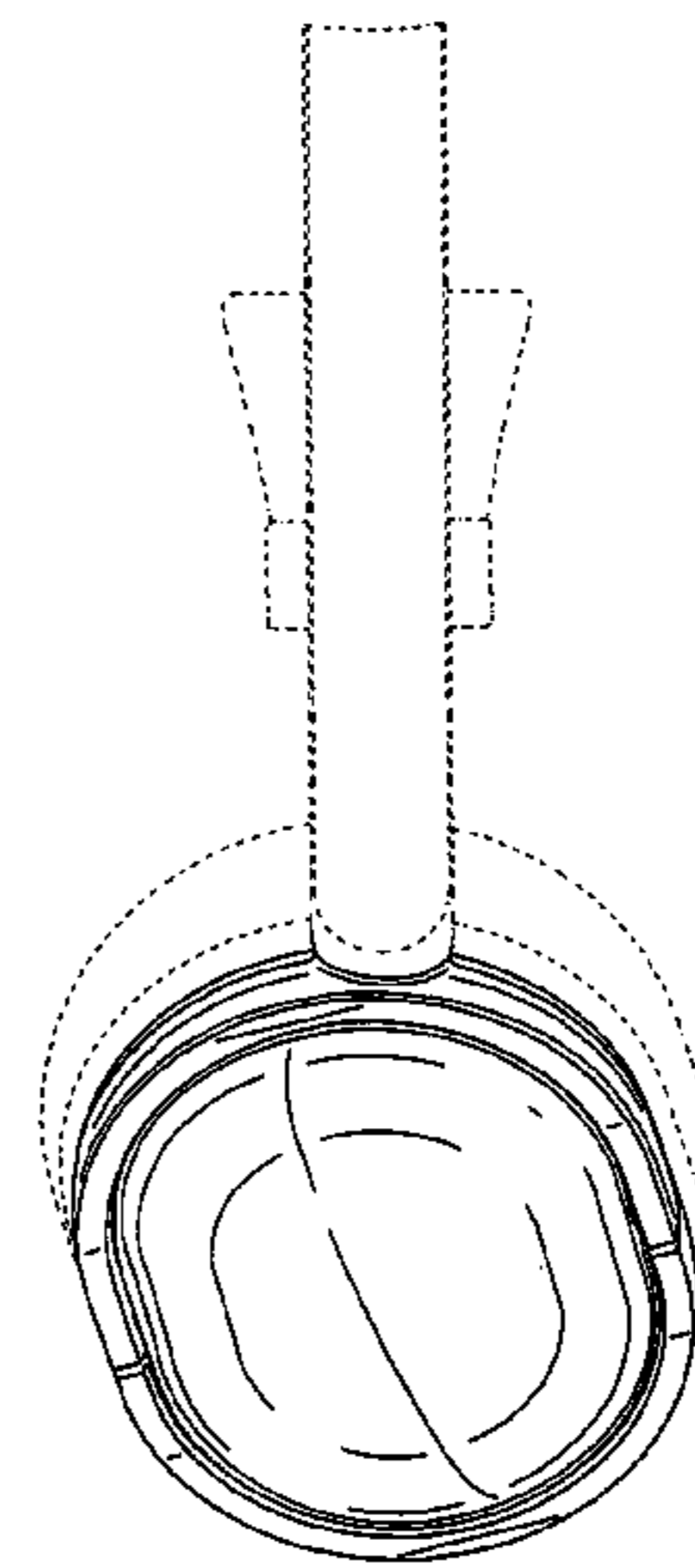
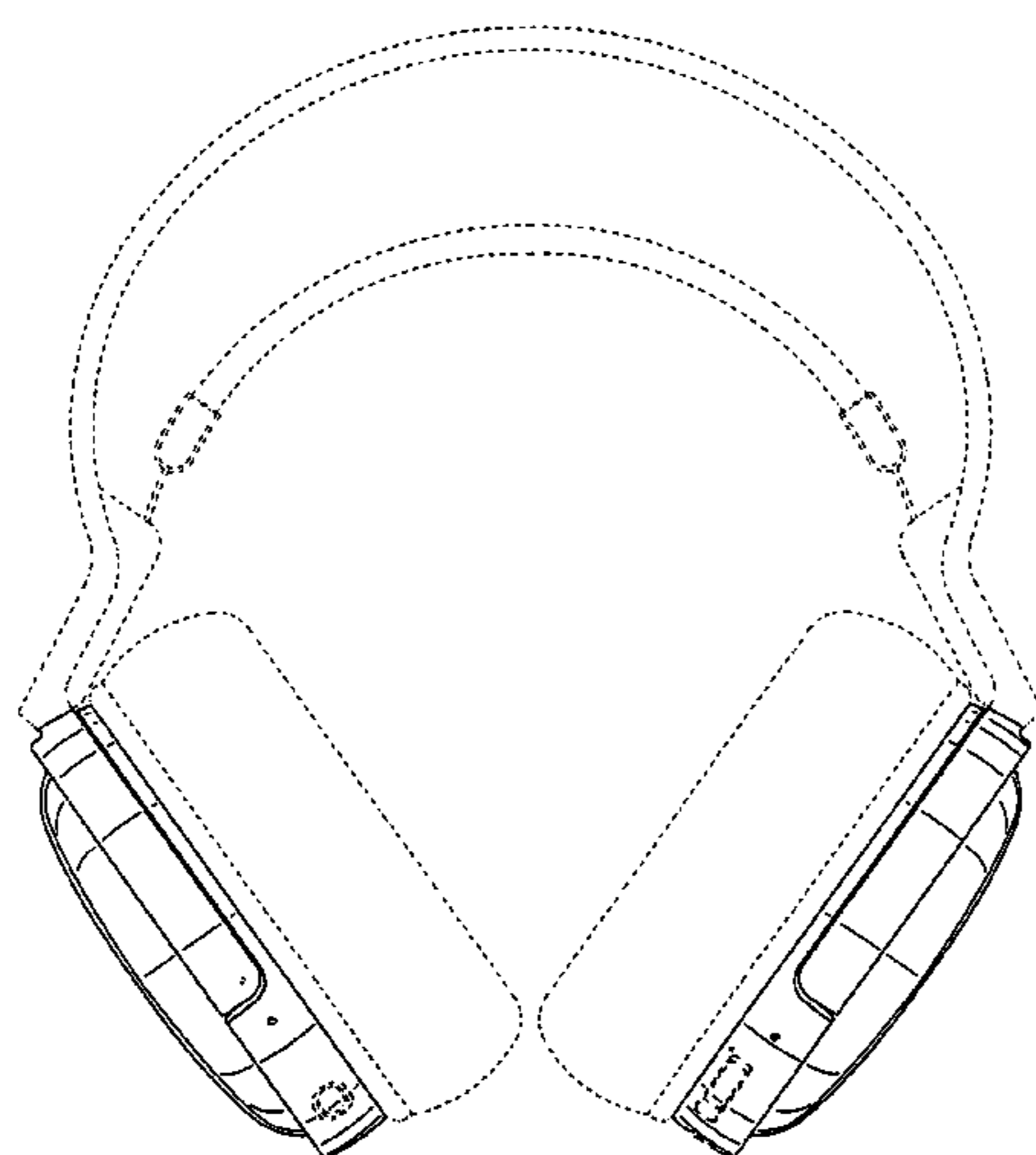


FIG.1

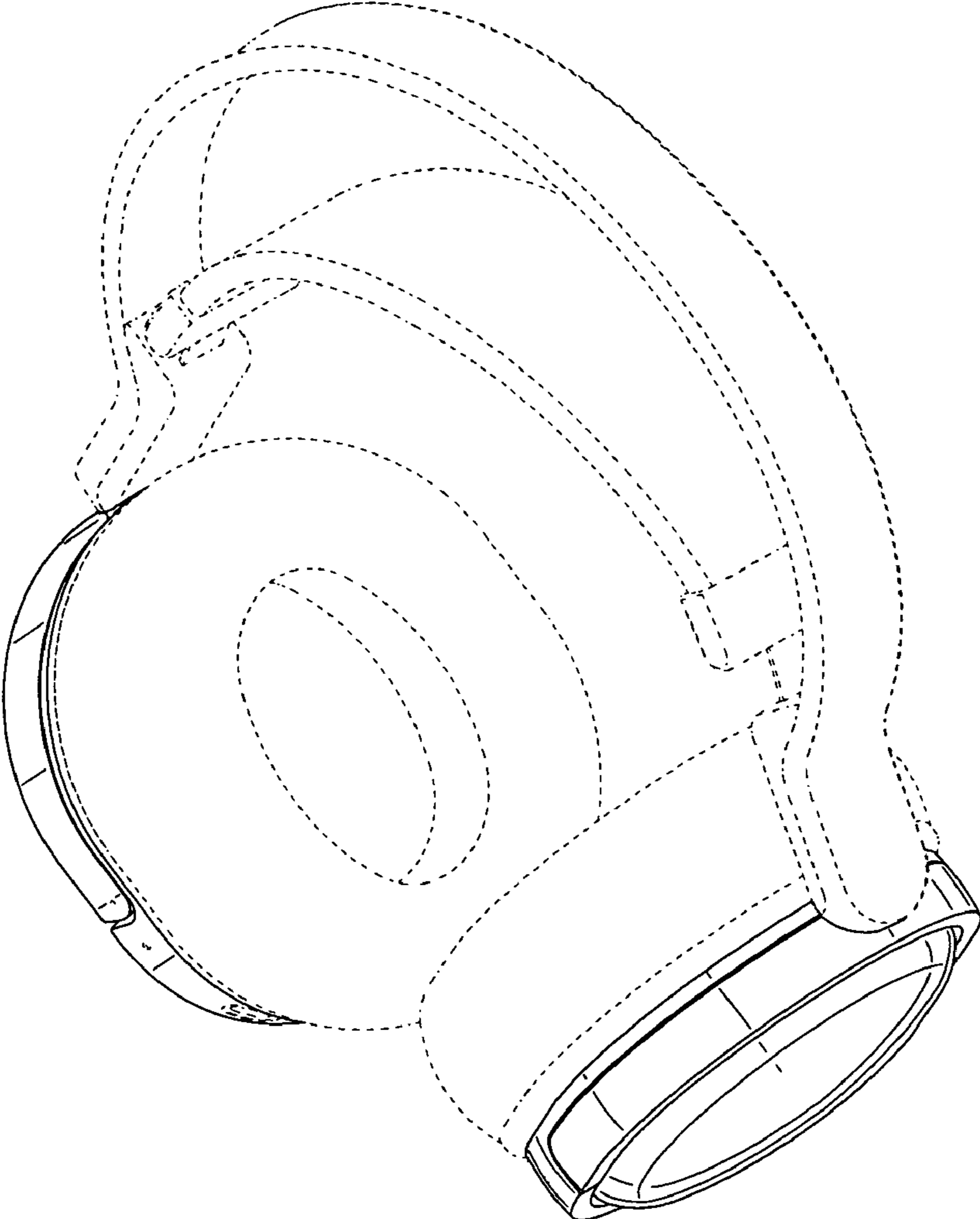


FIG.2

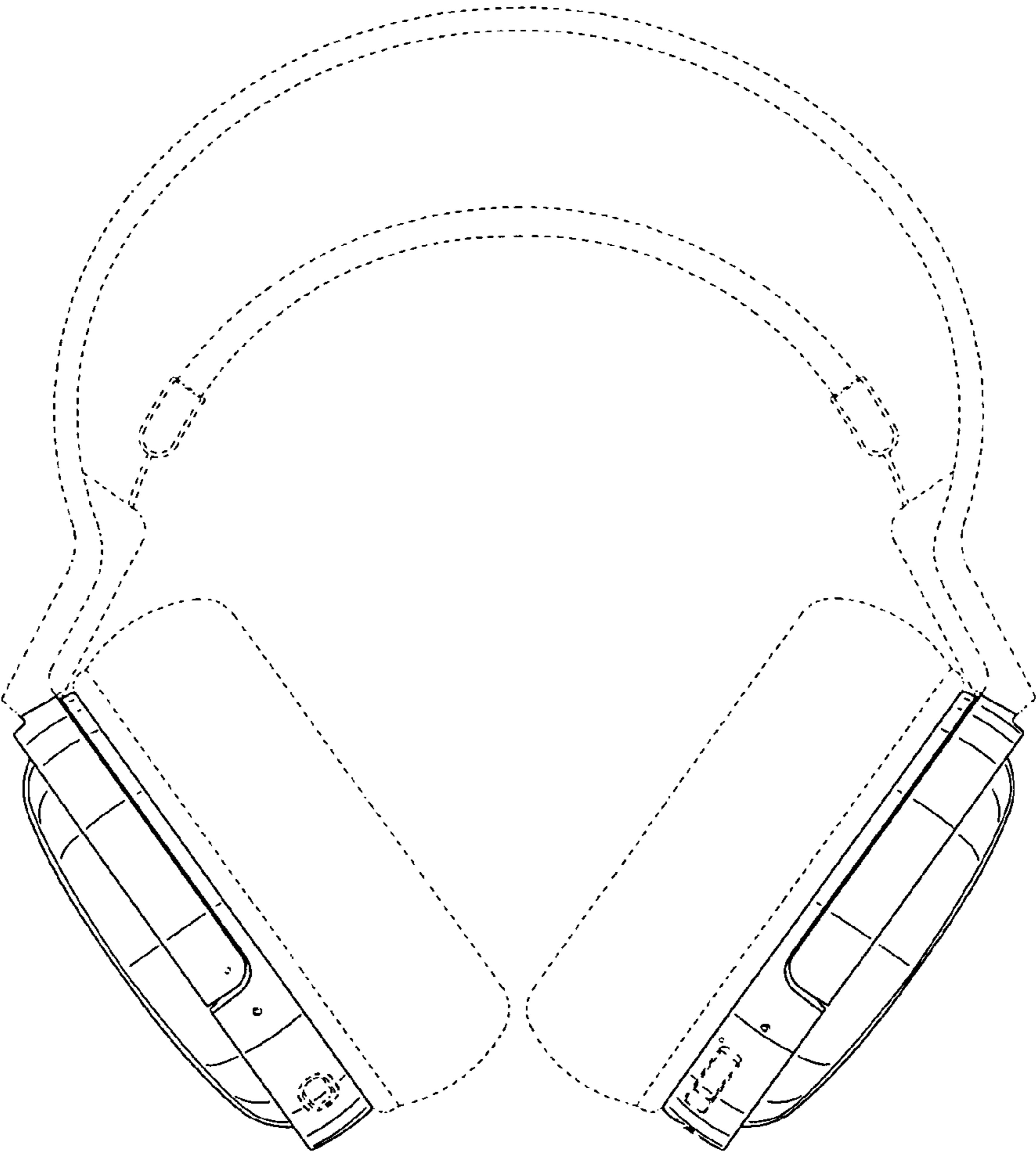


FIG.3

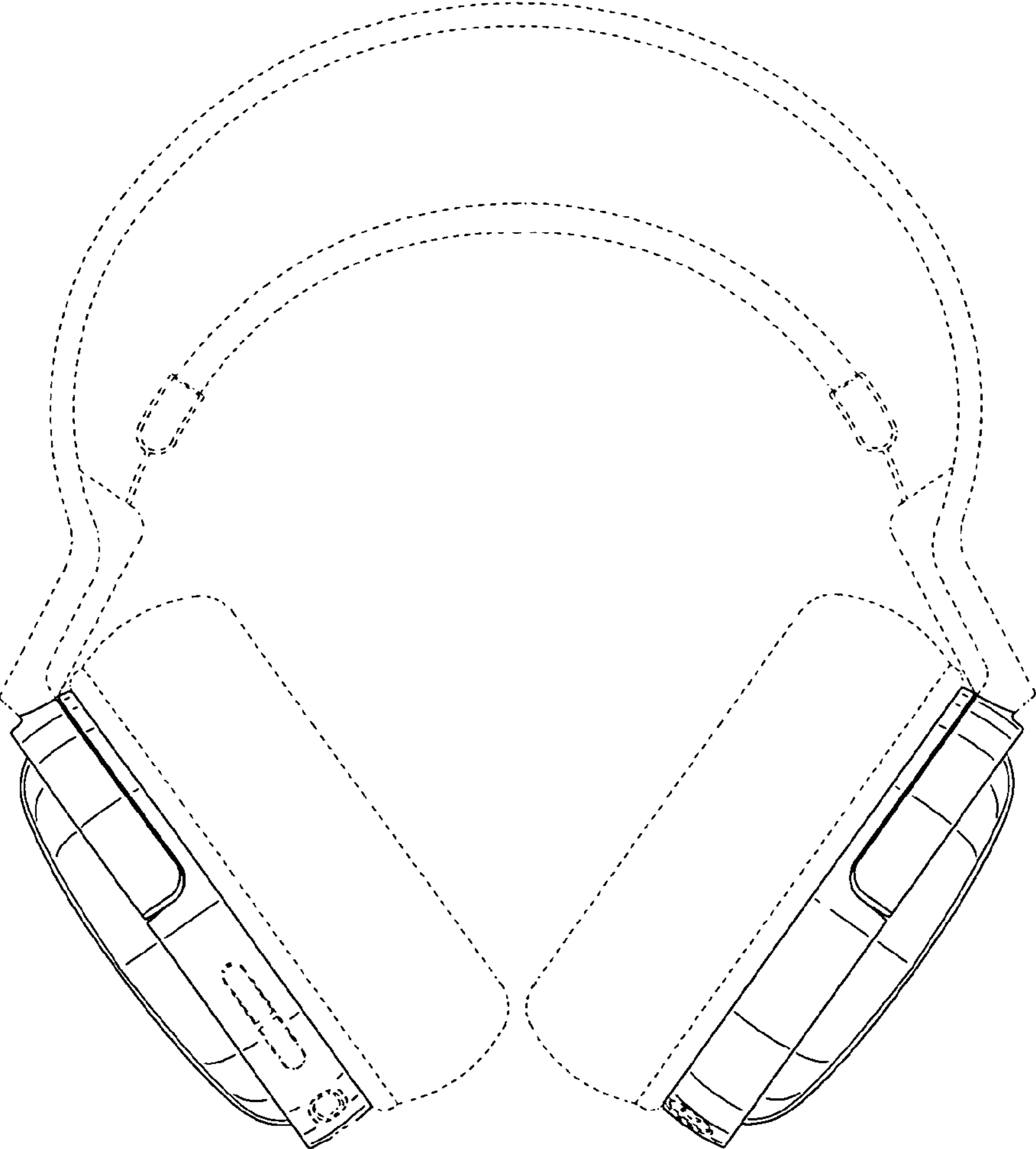


FIG.4

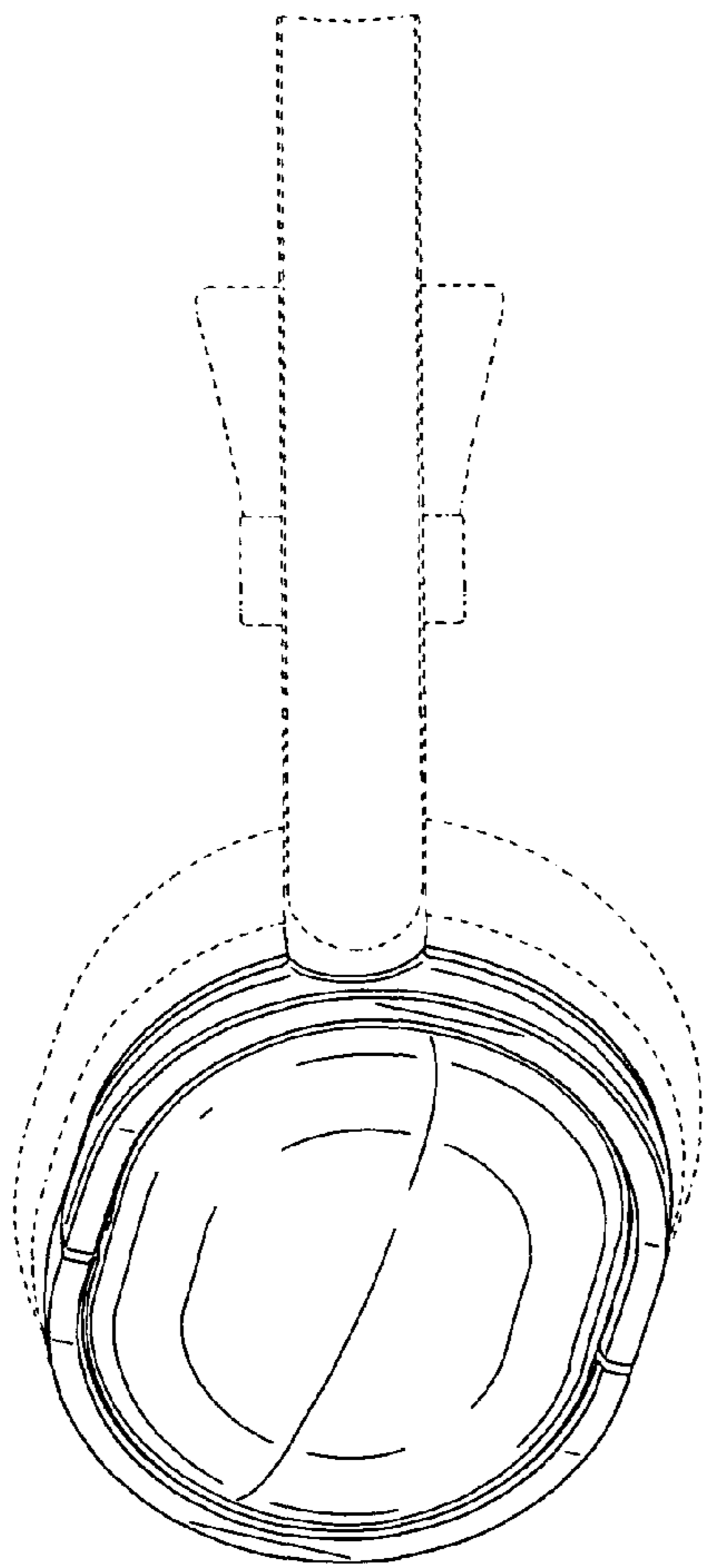


FIG.5

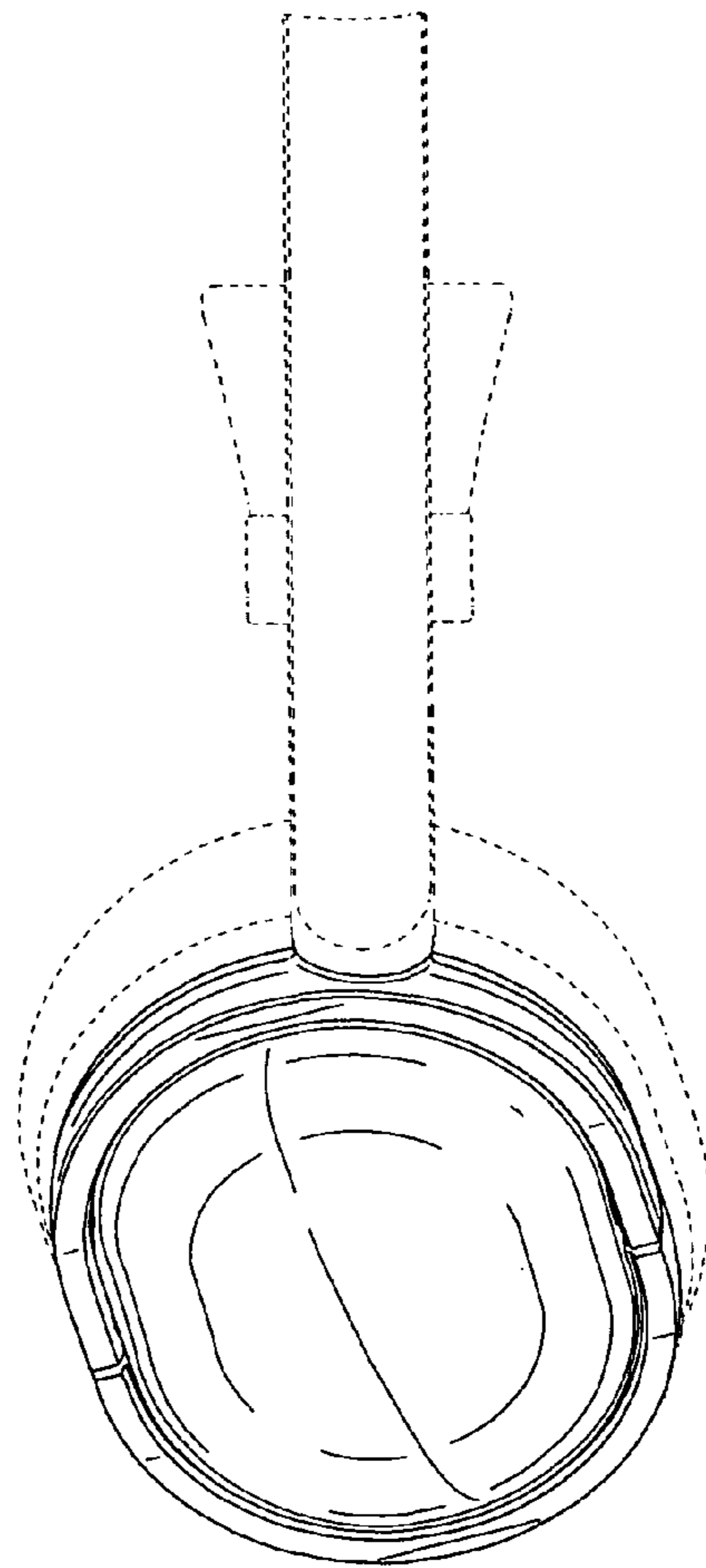


FIG.6

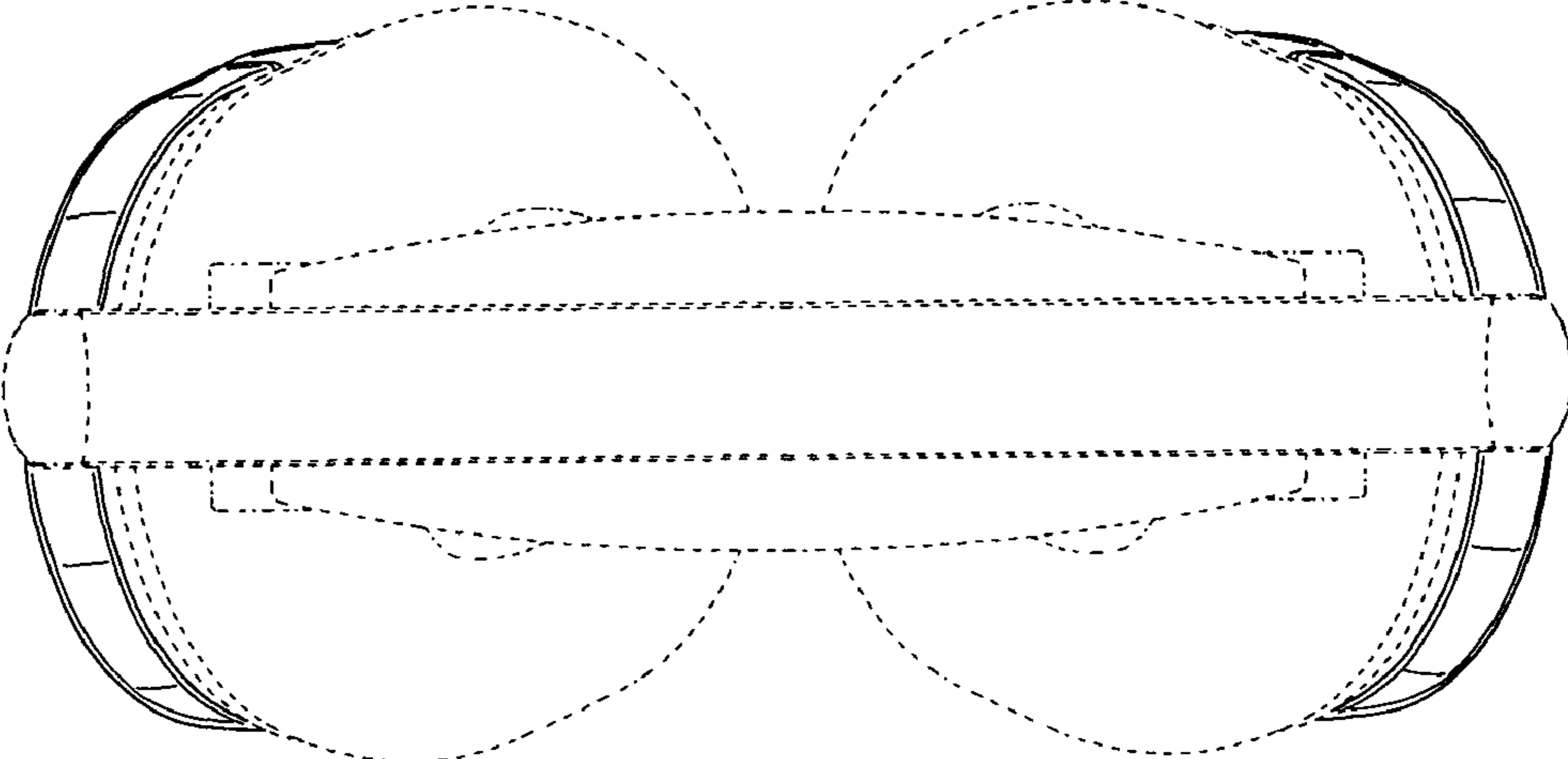


FIG.7

