

US00D669441S

(12) **United States Design Patent**
Naef et al.

(10) **Patent No.:** **US D669,441 S**

(45) **Date of Patent:** **** Oct. 23, 2012**

(54) **FOOT PEDAL**

(75) Inventors: **Therese Naef**, Wettingen (CH); **Britta Pukall**, Wädenswil (CH)

(73) Assignee: **Carl Zeiss Meditec AG**, Jena (DE)

(**) Term: **14 Years**

(21) Appl. No.: **29/371,462**

(22) Filed: **Mar. 4, 2011**

(51) **LOC (9) Cl.** **13-03**

(52) **U.S. Cl.** **D13/167**

(58) **Field of Classification Search** D13/179;
D15/72; D17/20; D24/179; 5/600; 74/512,
74/560, 561; 200/86.5; 219/132; 307/119;
433/101; 606/1

See application file for complete search history.

(56) **References Cited**

U.S. PATENT DOCUMENTS

5,091,656	A *	2/1992	Gahn	307/119
5,554,894	A *	9/1996	Sepielli	307/119
5,983,749	A *	11/1999	Holtorf	74/560
6,689,975	B2 *	2/2004	Metzler et al.	200/86.5
6,962,581	B2 *	11/2005	Thoe	606/1
7,019,234	B1 *	3/2006	Mezhinsky et al.	200/86.5

D542,741	S *	5/2007	Ido et al.	D13/167
7,626,132	B2 *	12/2009	Mezhinsky	200/86.5
D623,209	S *	9/2010	Matuschek et al.	D16/130

* cited by examiner

Primary Examiner — Selina Sikder

(74) *Attorney, Agent, or Firm* — Walter Ottesen

(57) **CLAIM**

The ornamental design for a foot pedal, as shown and described.

DESCRIPTION

FIG. 1 is a front perspective view of a foot pedal according to our new design;

FIG. 2 is a rear perspective view of the foot pedal shown in FIG. 1;

FIG. 3 is a top plan view of the foot pedal shown in FIG. 1;

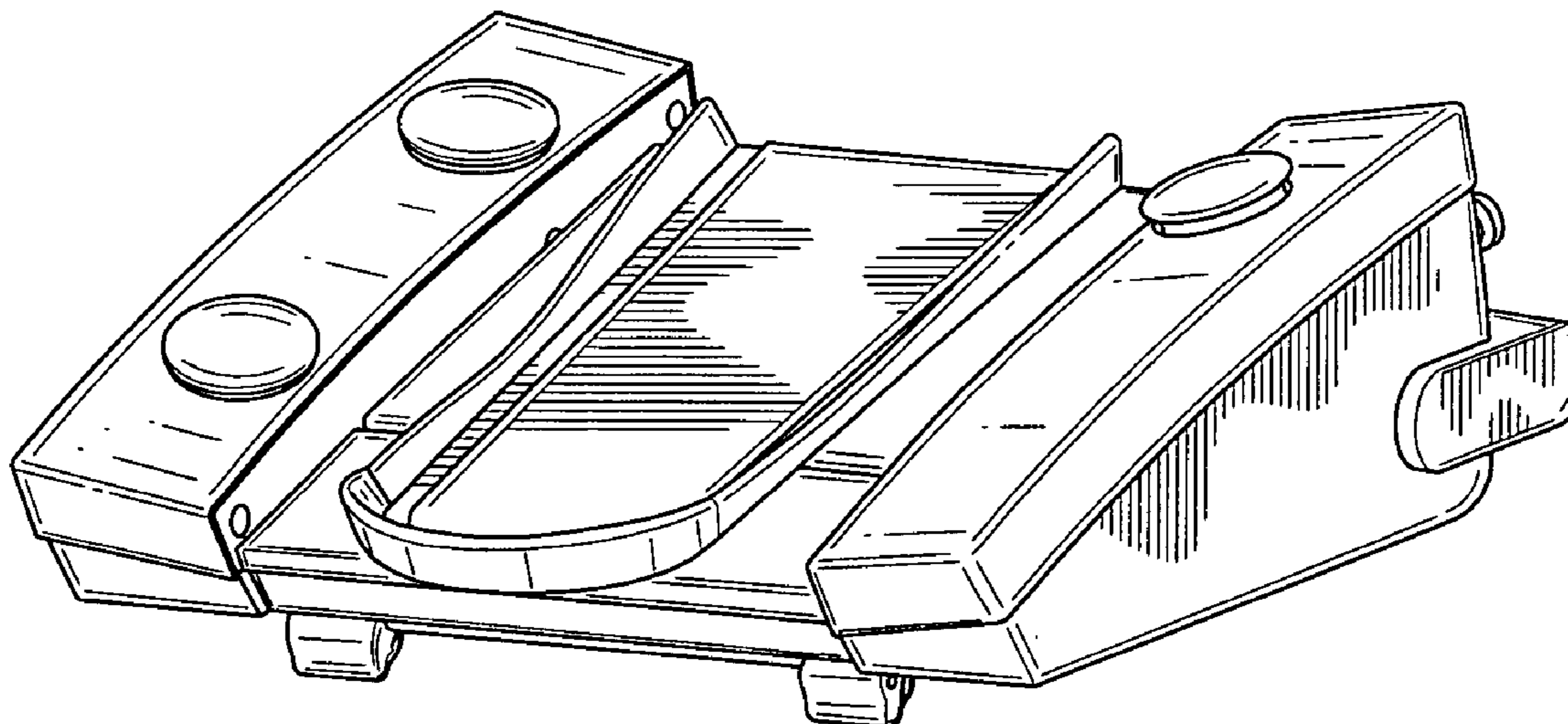
FIG. 4 is a right side elevation view of the foot pedal shown in FIG. 1;

FIG. 5 is a front elevation view of the foot pedal shown in FIG. 1;

FIG. 6 is a left side elevation view of the foot pedal shown in FIG. 1; and,

FIG. 7 is a bottom plan view of the foot pedal shown in FIG. 1.

1 Claim, 4 Drawing Sheets



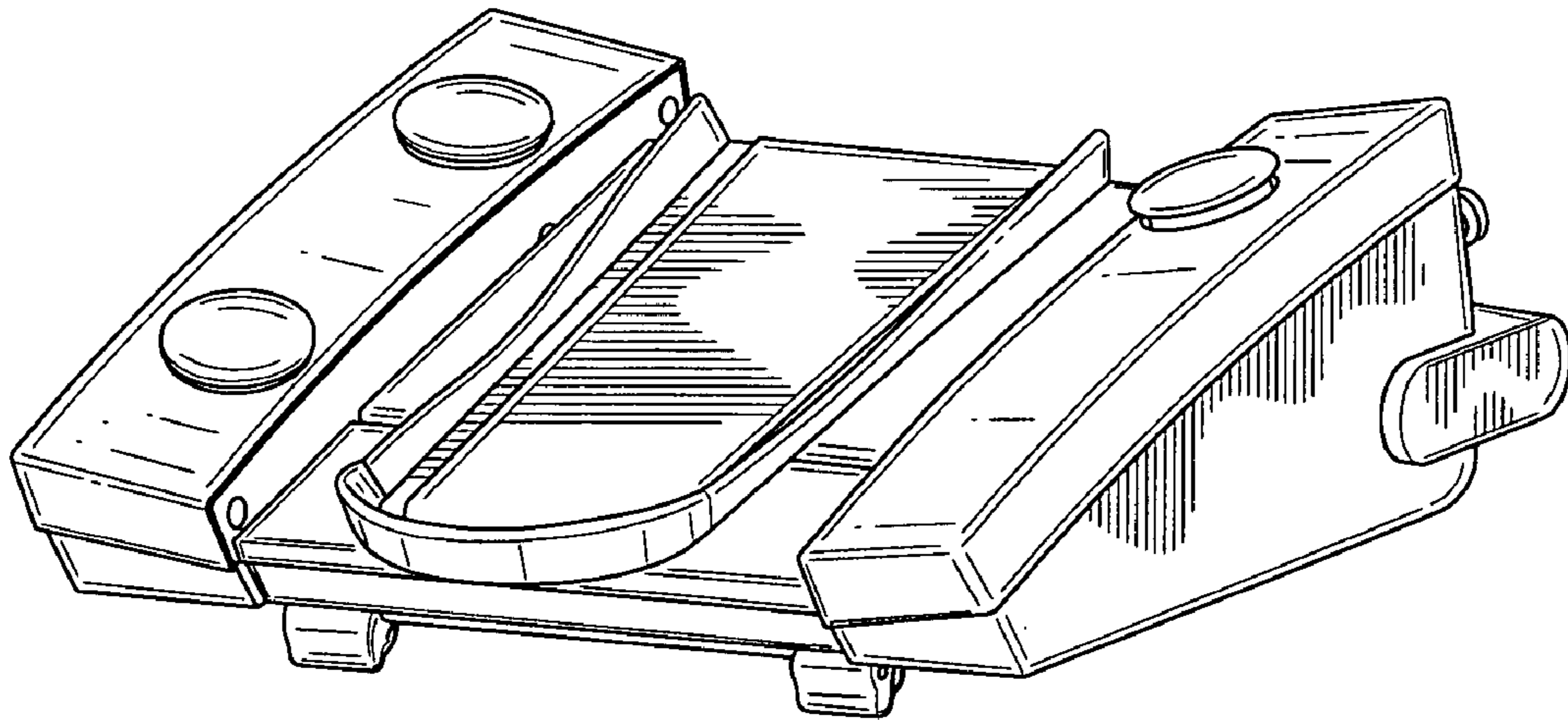


FIG. 1

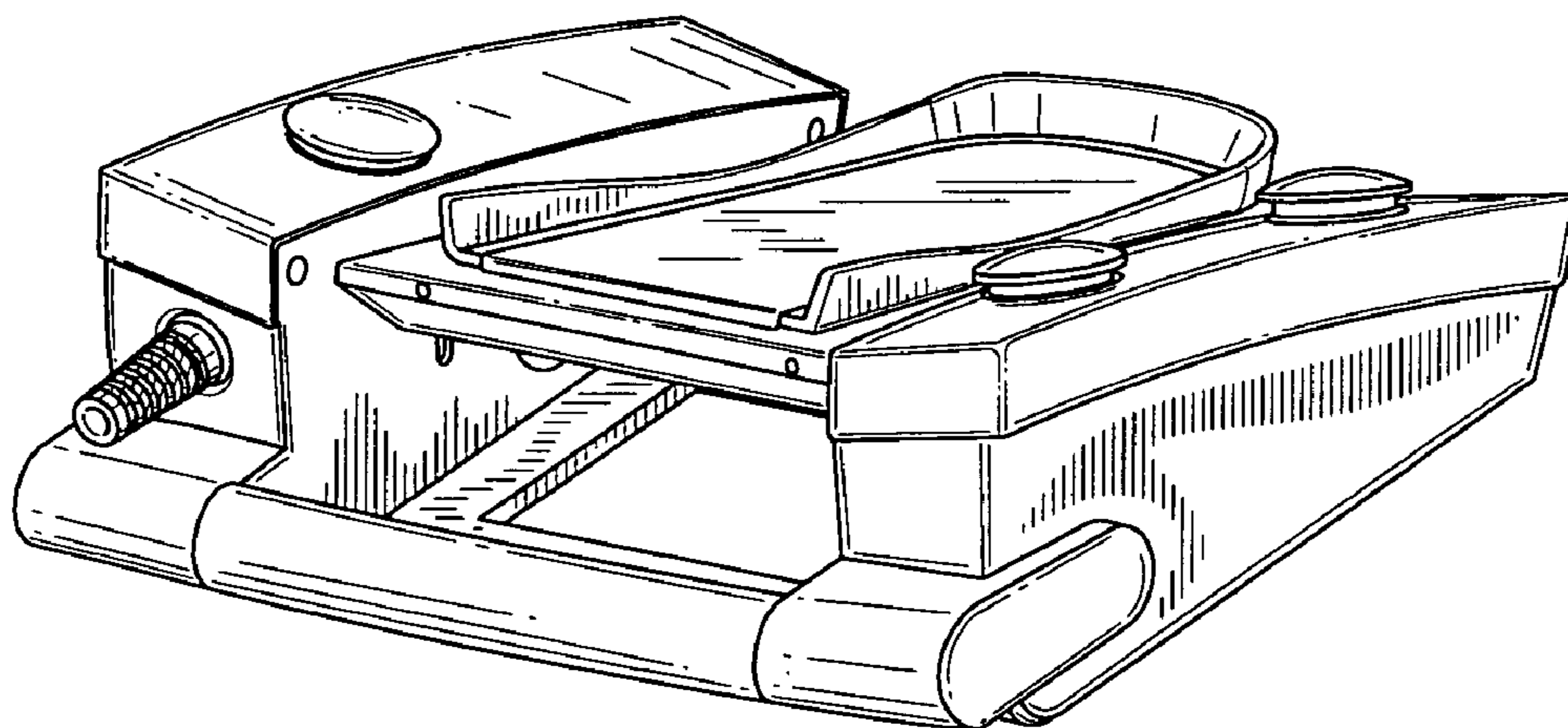


FIG. 2

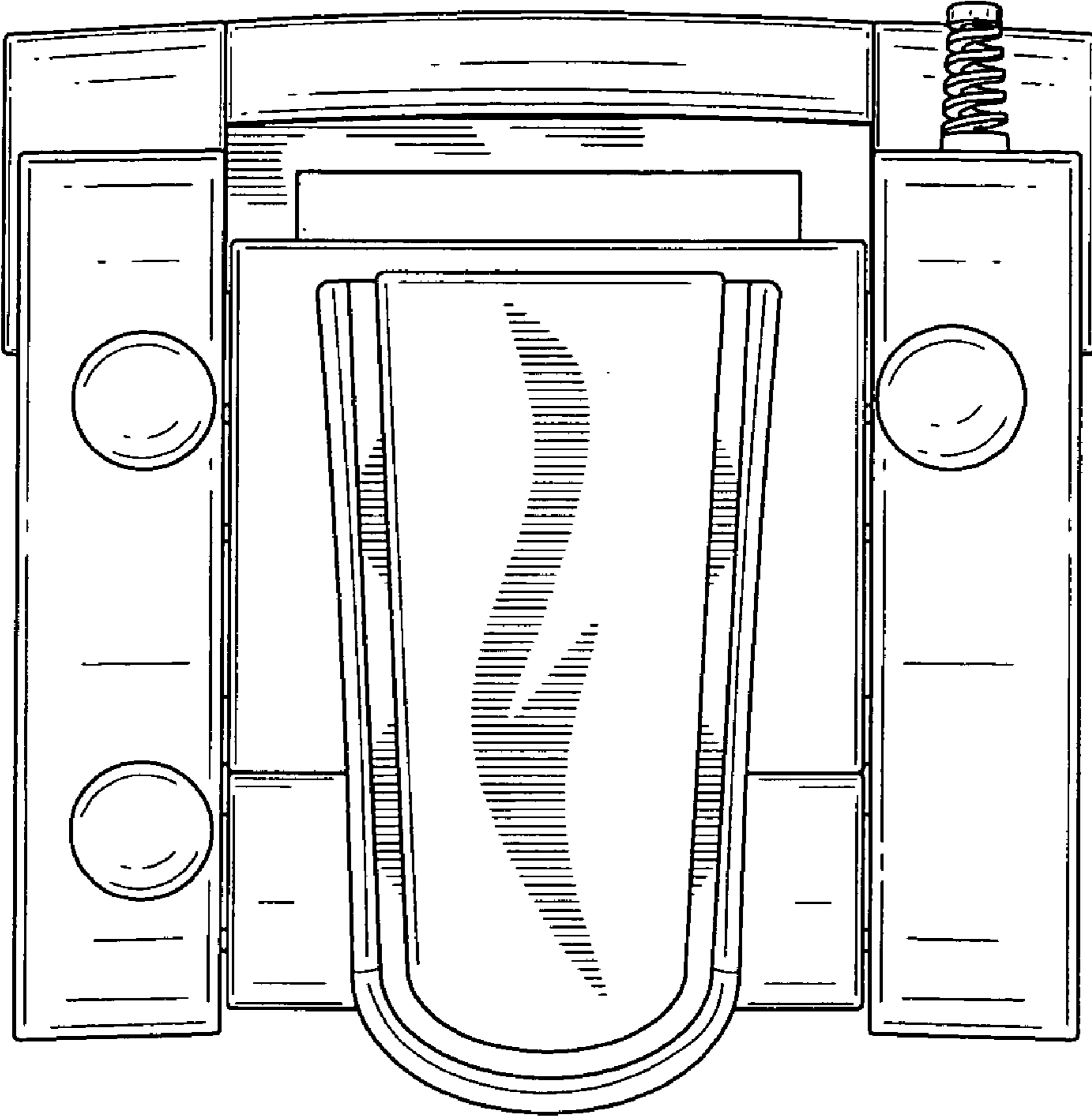


FIG. 3

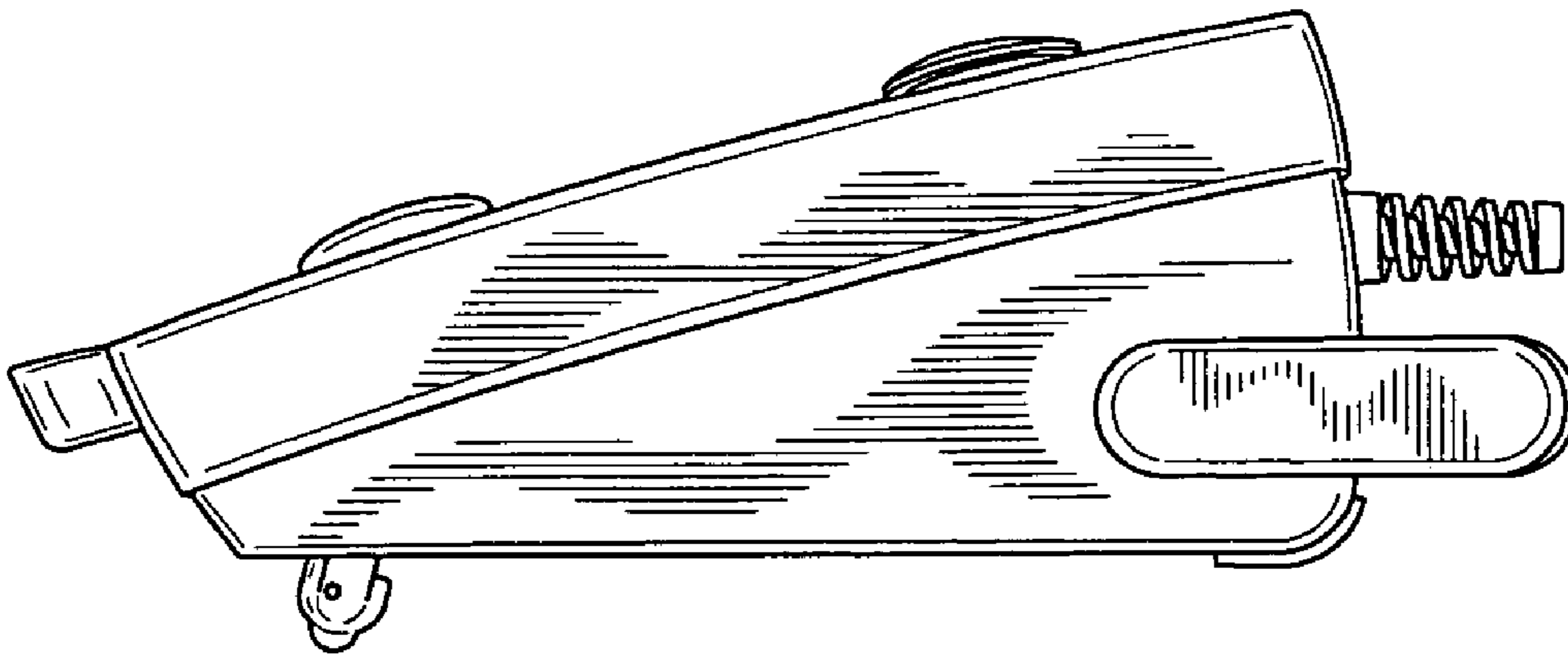


FIG. 4

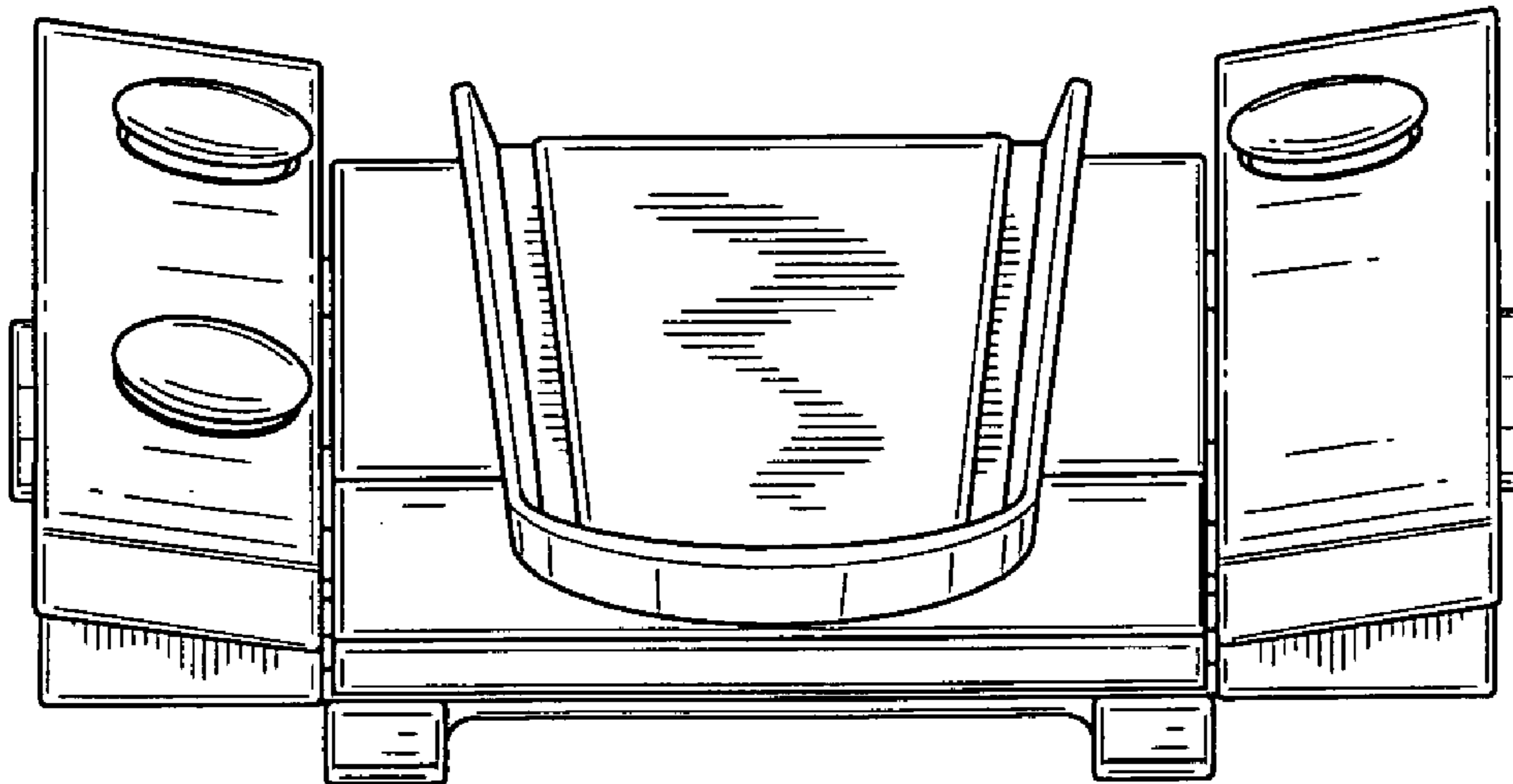


FIG. 5

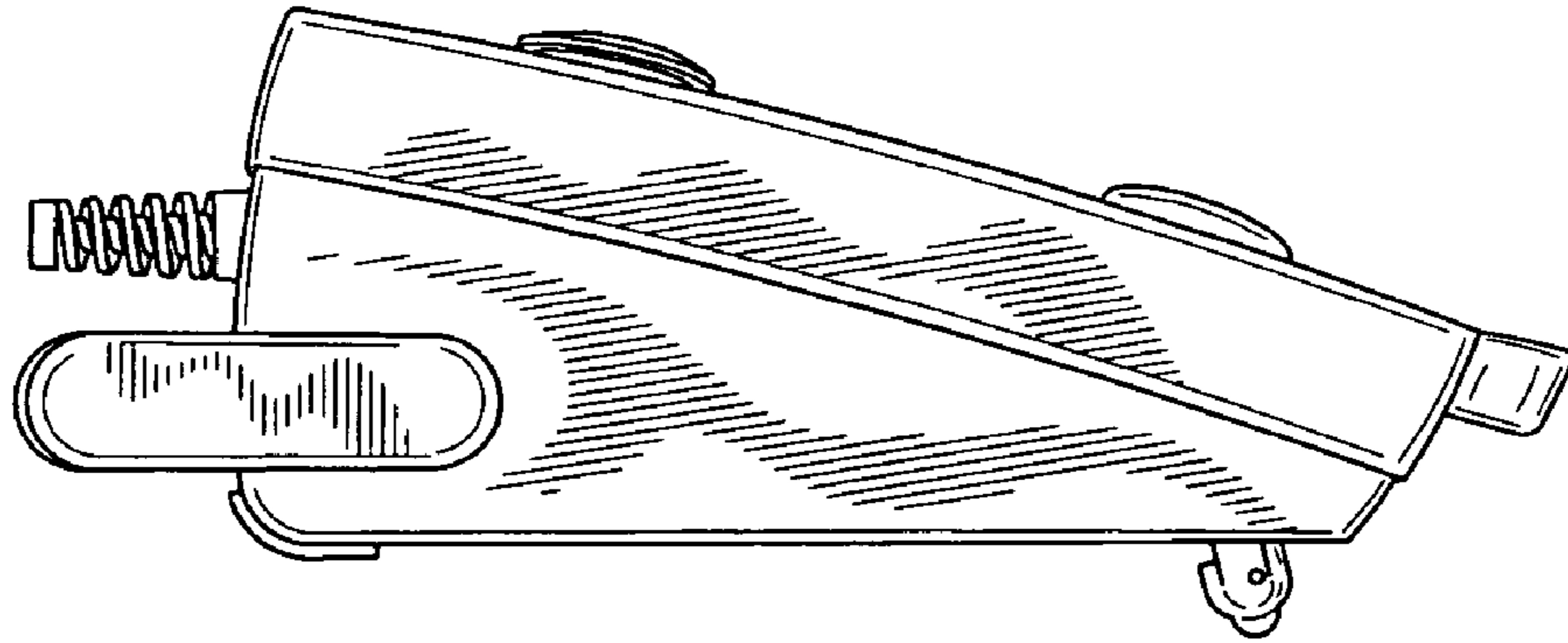


FIG. 6

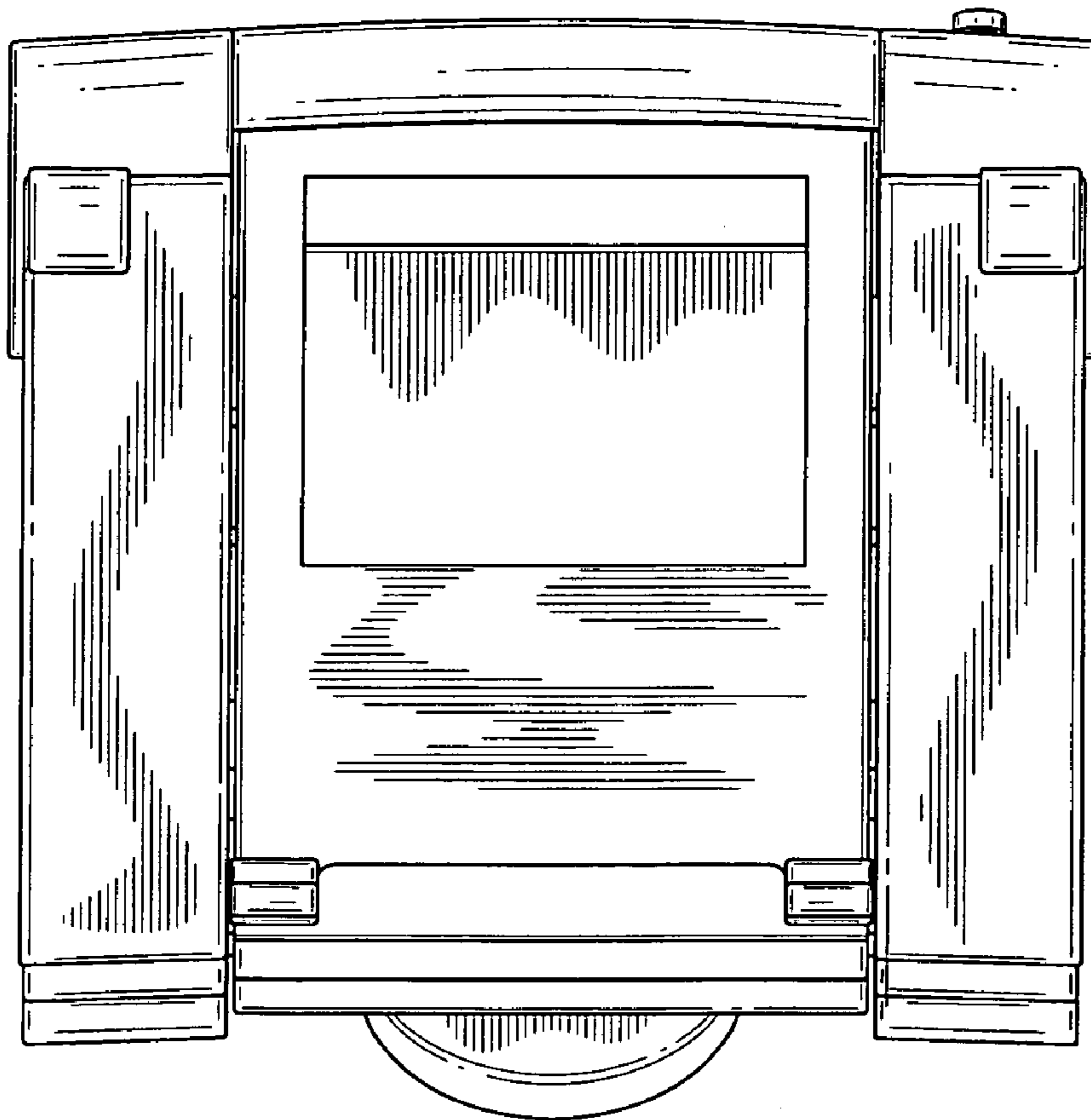


FIG. 7