



US00D669440S

(12) **United States Design Patent**
Wu

(10) **Patent No.:** **US D669,440 S**

(45) **Date of Patent:** **** Oct. 23, 2012**

(54) **CONTROLLER BOX**

(75) Inventor: **Chou-Hsin Wu**, Xindian (TW)

(73) Assignee: **Timotion Technology Co., Ltd.**, New Taipei (TW)

(**) Term: **14 Years**

(21) Appl. No.: **29/363,896**

(22) Filed: **Jun. 16, 2010**

(51) **LOC (9) Cl.** **13-03**

(52) **U.S. Cl.** **D13/162; D13/184**

(58) **Field of Classification Search** D14/348,
D14/353-358, 363, 365-368, 300, 313, 314;
D13/162, 184, 199; 312/223.1-223.3;
360/99.01-99.12;
361/679.22, 679.23, 679.33-679.39, 679.4,
361/744; D10/46, 49, 50, 53, 57, 74, 104.1,
D10/106.6

See application file for complete search history.

(56) **References Cited**

U.S. PATENT DOCUMENTS

5,003,430 A * 3/1991 VonArx et al. 361/736
D342,250 S * 12/1993 Beaumont et al. D14/142
5,907,127 A * 5/1999 Daoud 174/57
D424,028 S * 5/2000 Vaiani D13/184
D438,532 S * 3/2001 Gargani et al. D14/240

D470,826 S * 2/2003 Bergmann D13/184
D473,221 S * 4/2003 Gargani et al. D14/240
D533,092 S * 12/2006 Disselkoe et al. D10/50
D533,793 S * 12/2006 Moore D10/50
D604,254 S * 11/2009 Lanfear et al. D13/162
2008/0058964 A1 * 3/2008 Nickerson et al. 700/19

* cited by examiner

Primary Examiner — Freda S Nunn

(74) *Attorney, Agent, or Firm* — Chun-Ming Shih; HDLS IPR Services

(57) **CLAIM**

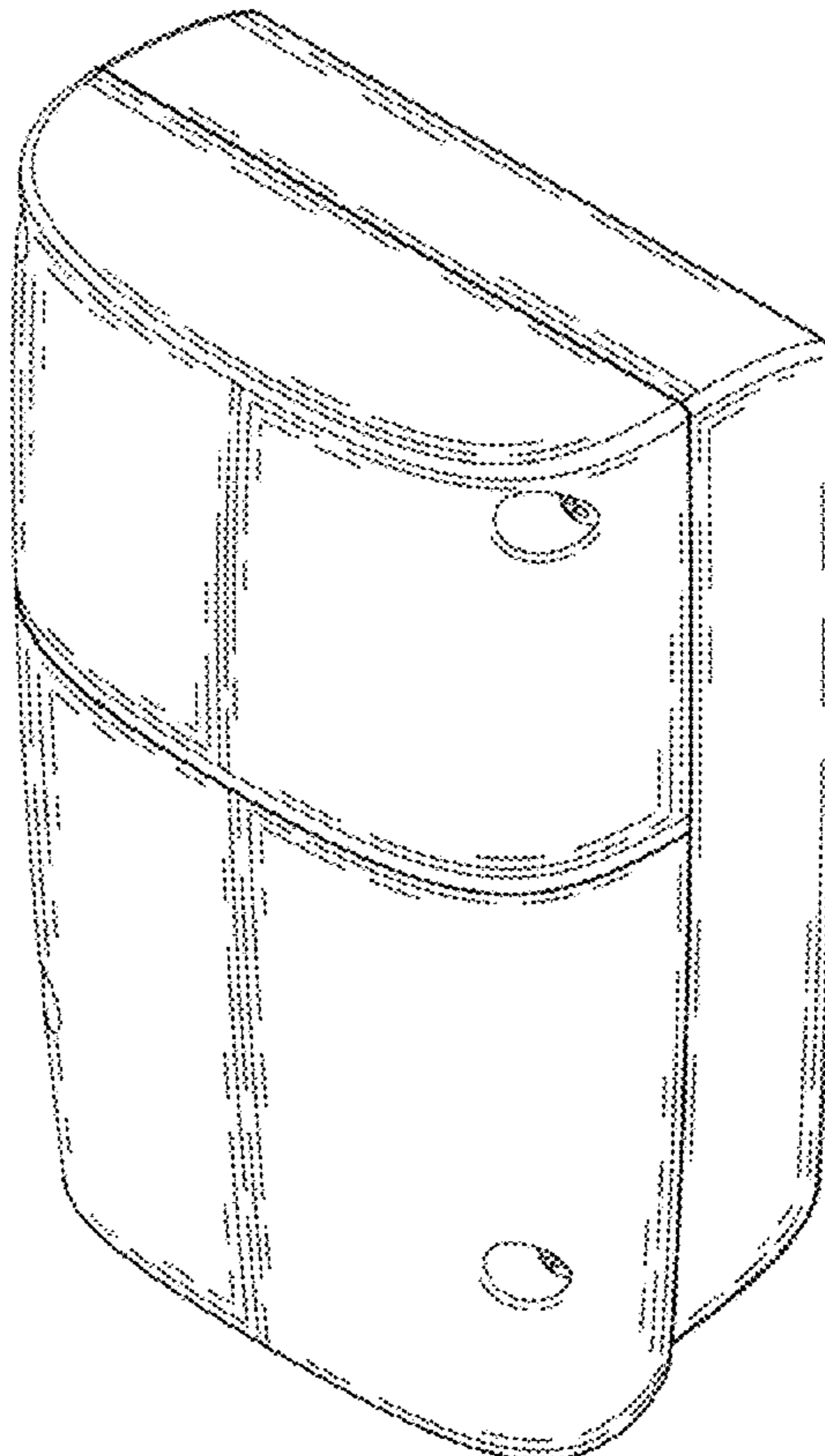
The ornamental design for a controller box, as shown and described.

DESCRIPTION

FIG. 1 is a perspective view of a controller box showing my new design;
FIG. 2 is a front view thereof;
FIG. 3 is a rear view thereof;
FIG. 4 is a left side and right side view thereof;
FIG. 5 is a top view thereof;
FIG. 6 is a bottom view thereof; and,
FIG. 7 is another perspective view showing the controller box.

The broken line environmental showing is for illustrative purpose only and forms no part of the claimed design.

1 Claim, 6 Drawing Sheets



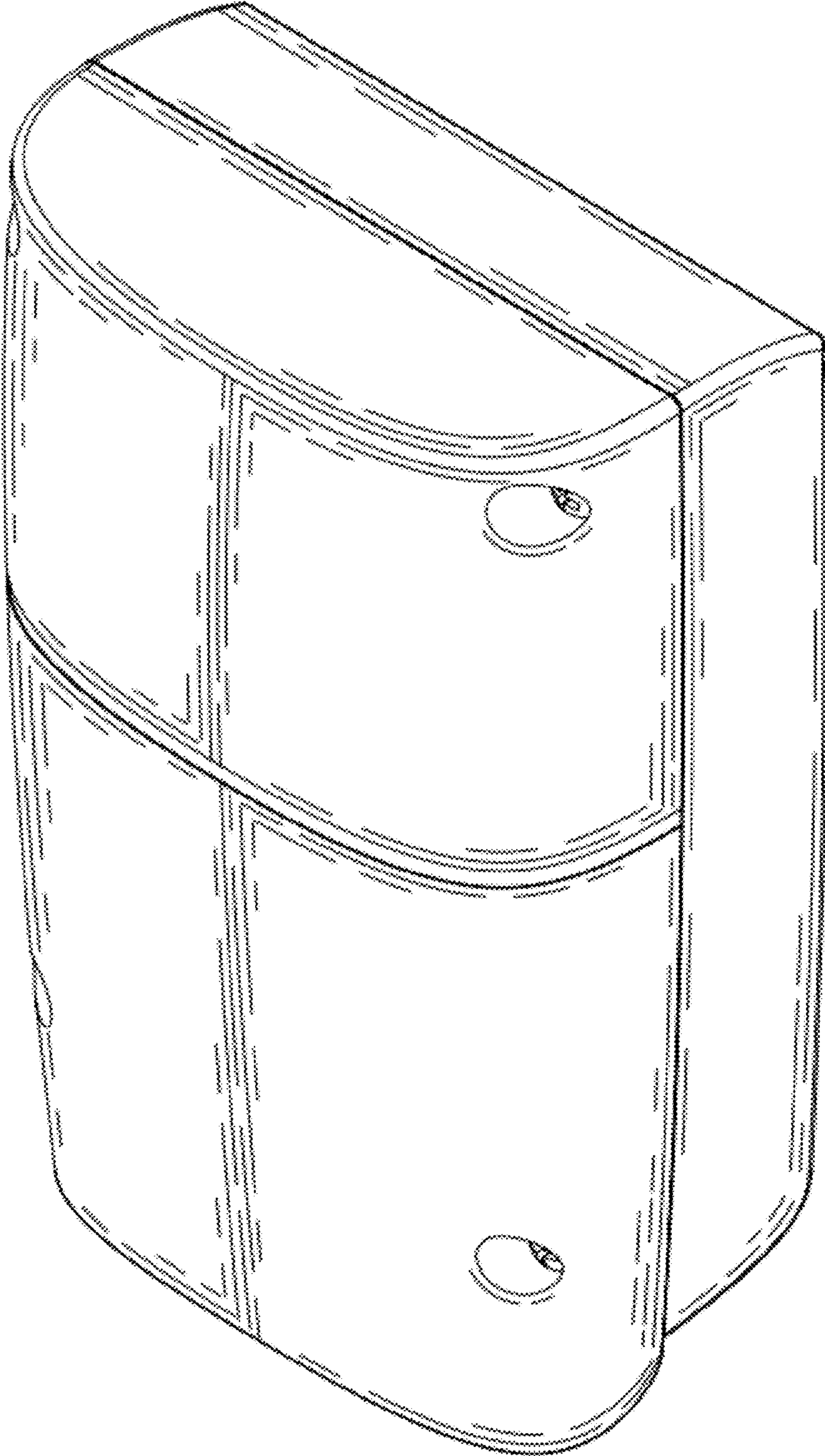


FIG. 1

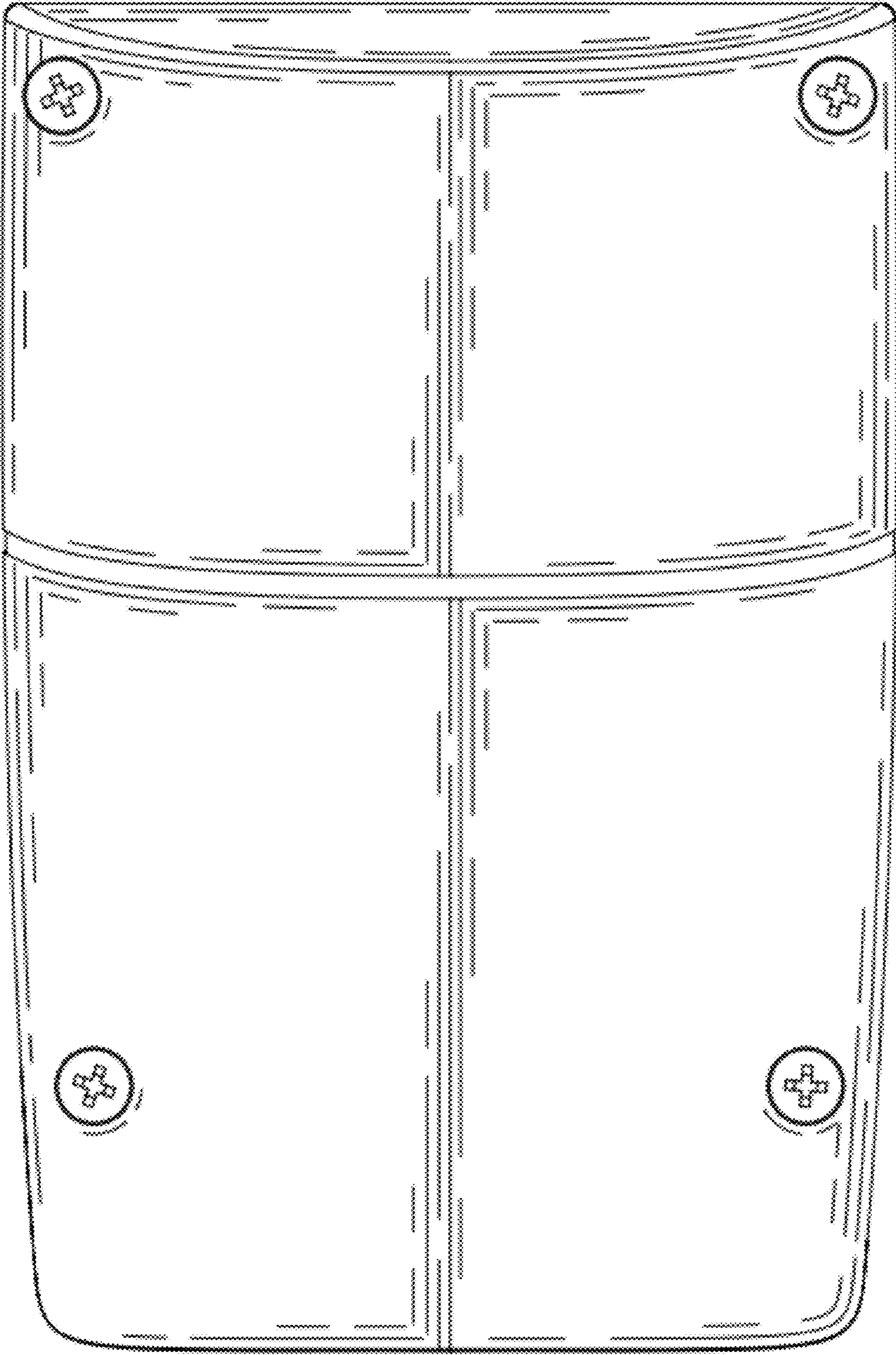


FIG.2

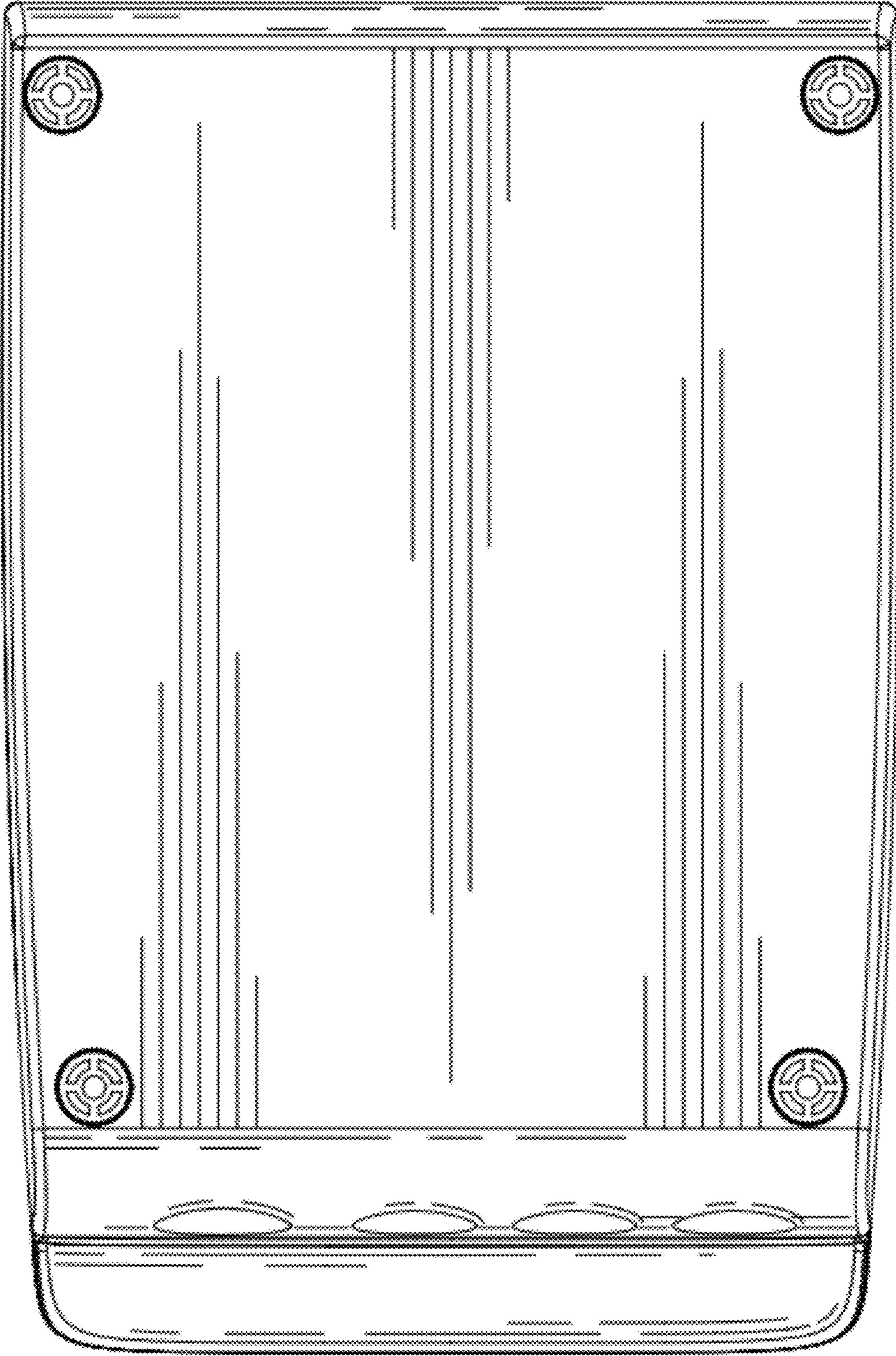


FIG.3

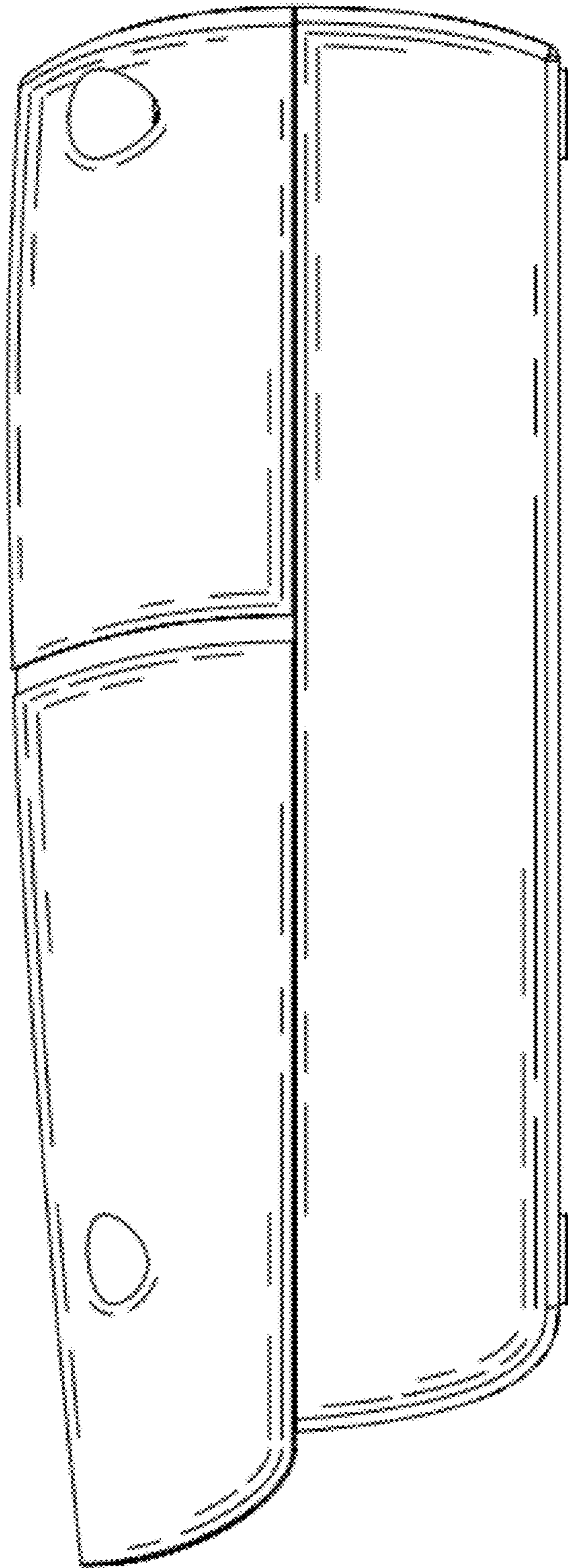


FIG.4

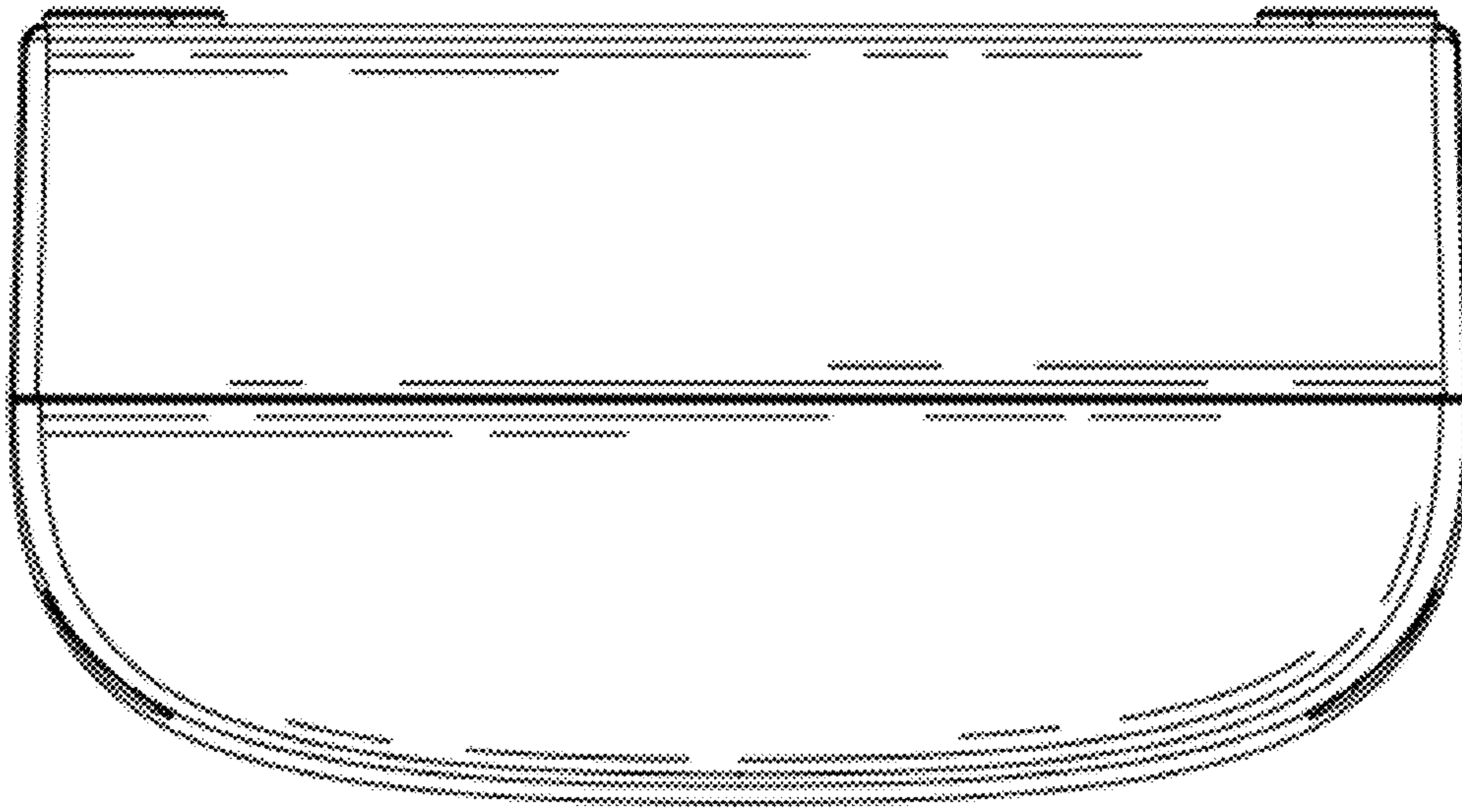


FIG. 5

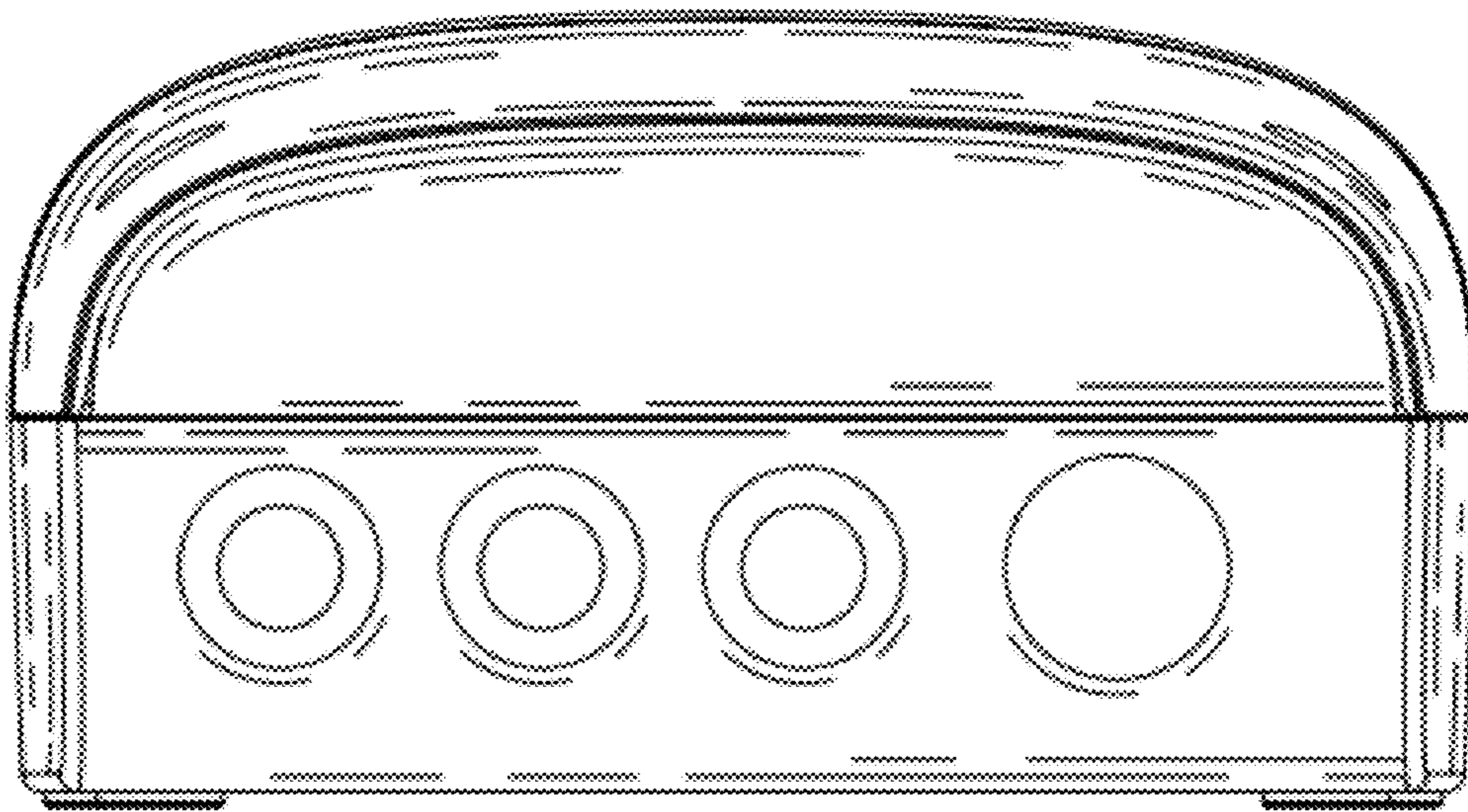


FIG. 6

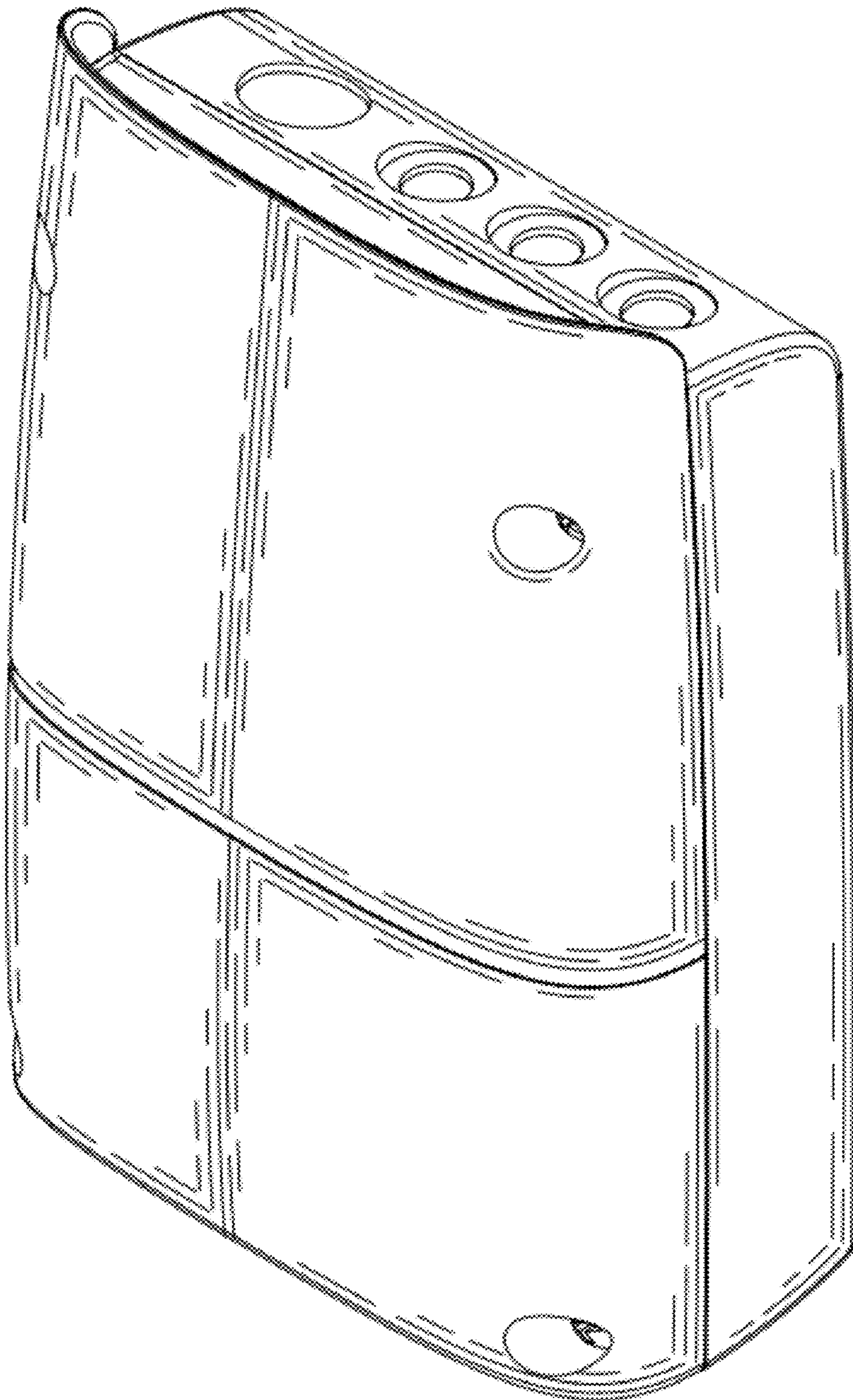


FIG.7