



US00D669438S

(12) **United States Design Patent**
Li et al.

(10) **Patent No.:** **US D669,438 S**

(45) **Date of Patent:** **** Oct. 23, 2012**

(54) **X-CONNECTOR**

(75) Inventors: **Eddie Ping Kuen Li**, Hong Kong (CN);
Sue-Anne Tean Leung, Hong Kong
(CN)

(73) Assignee: **Huizhou Light Engine Ltd.**,
Guangdong (CN)

(**) Term: **14 Years**

(21) Appl. No.: **29/377,585**

(22) Filed: **Oct. 22, 2010**

(51) **LOC (9) Cl.** **13-03**

(52) **U.S. Cl.** **D13/147**

(58) **Field of Classification Search** D13/133,
D13/146, 147, 154, 184, 199; D14/217,
D14/432-433, 435, 435.1, 436, 439, 447,
D14/454, 471, 483; 370/273-275, 464, 916;
439/6, 180, 217-218, 221, 246, 249, 259,
439/266, 374, 377, 445, 476.1, 483, 892,
439/894

See application file for complete search history.

(56) **References Cited**

U.S. PATENT DOCUMENTS

D357,226 S * 4/1995 Ybanez et al. D13/146
D381,329 S * 7/1997 Urlik D14/483

D449,275 S * 10/2001 Goto D13/147
D553,089 S * 10/2007 Victor D13/147
D586,752 S * 2/2009 Diamond et al. D13/147
D586,753 S * 2/2009 Diamond et al. D13/147
D587,206 S * 2/2009 Wu et al. D13/146
D593,954 S * 6/2009 Lee et al. D13/154
D635,930 S * 4/2011 Li et al. D13/147

* cited by examiner

Primary Examiner — Daniel Bui

(74) *Attorney, Agent, or Firm* — Dickstein Shapiro LLP

(57) **CLAIM**

The ornamental design for an X-connector, as shown and described.

DESCRIPTION

FIG. 1 is a perspective view of an X-connector showing our new design;

FIG. 2 is a top view of the X-connector shown in FIG. 1;

FIG. 3 is a right side view of the X-connector shown in FIG. 1;

FIG. 4 is a left side view of the X-connector shown in FIG. 1;

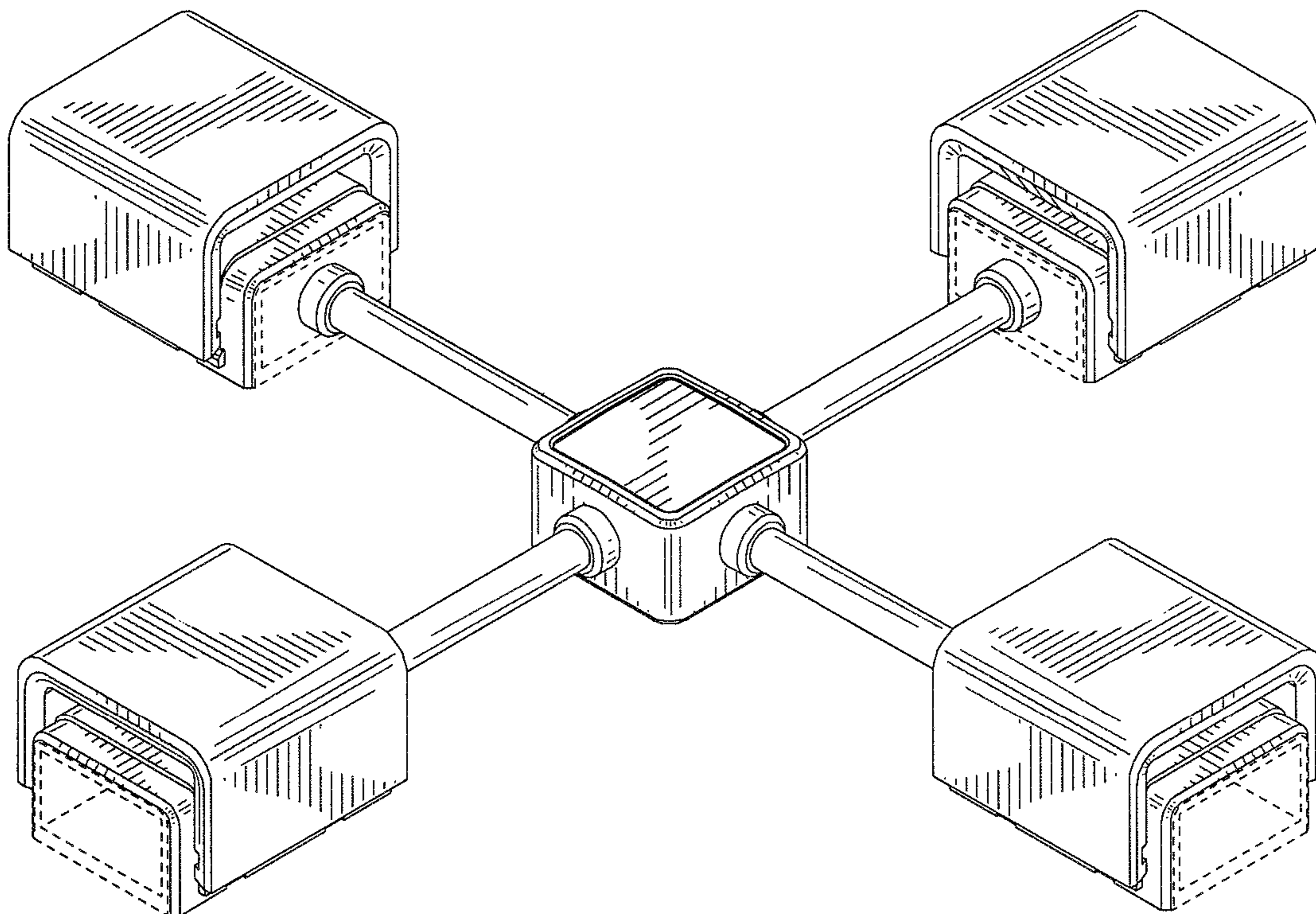
FIG. 5 is a bottom view of the X-connector shown in FIG. 1;

FIG. 6 is a rear view of the X-connector shown in FIG. 1; and,

FIG. 7 is a front view of the X-connector shown in FIG. 1.

The broken line in the figure drawings is included for the purpose of illustrating environment and forms no part of the claimed design.

1 Claim, 7 Drawing Sheets



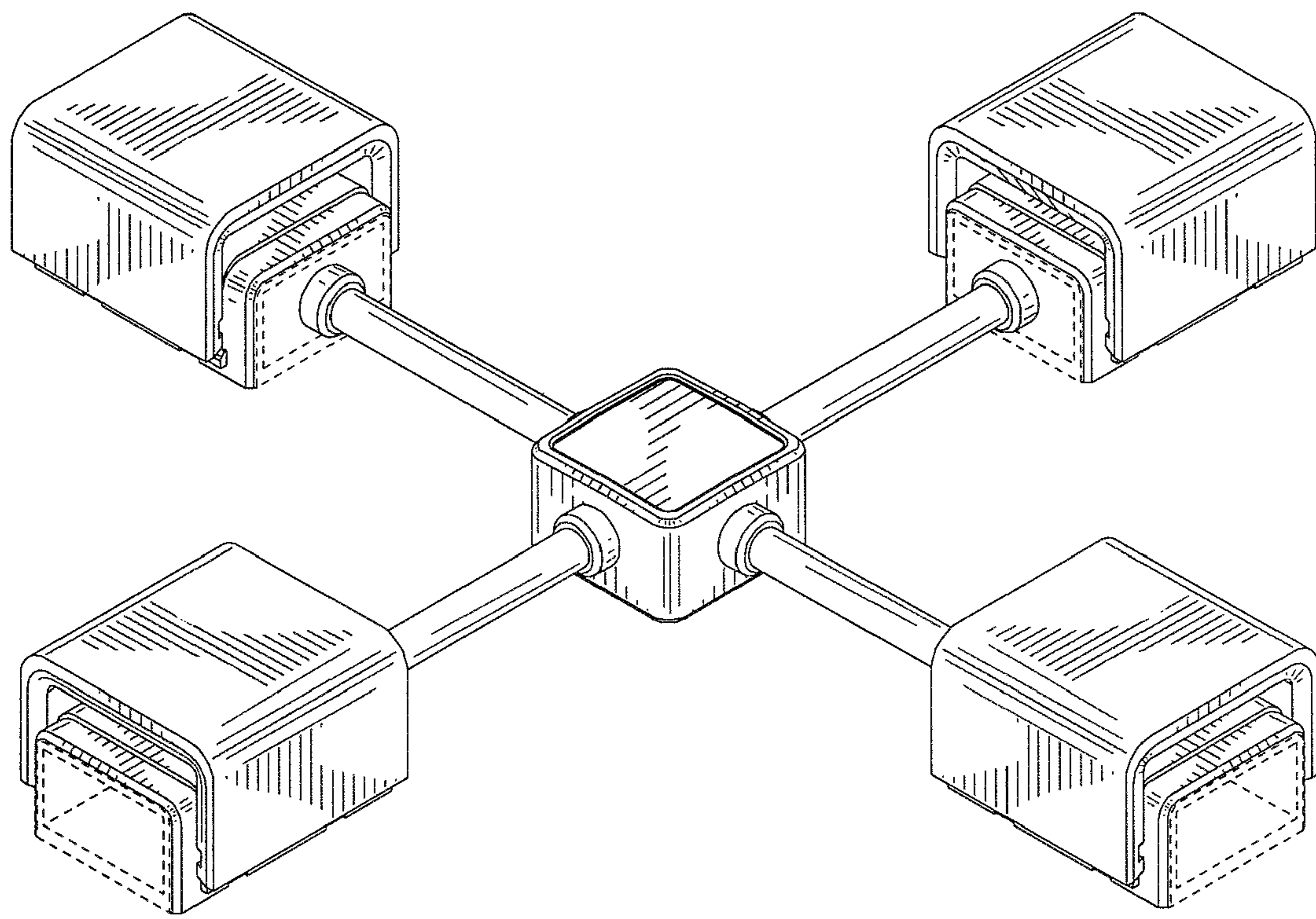


FIG. 1

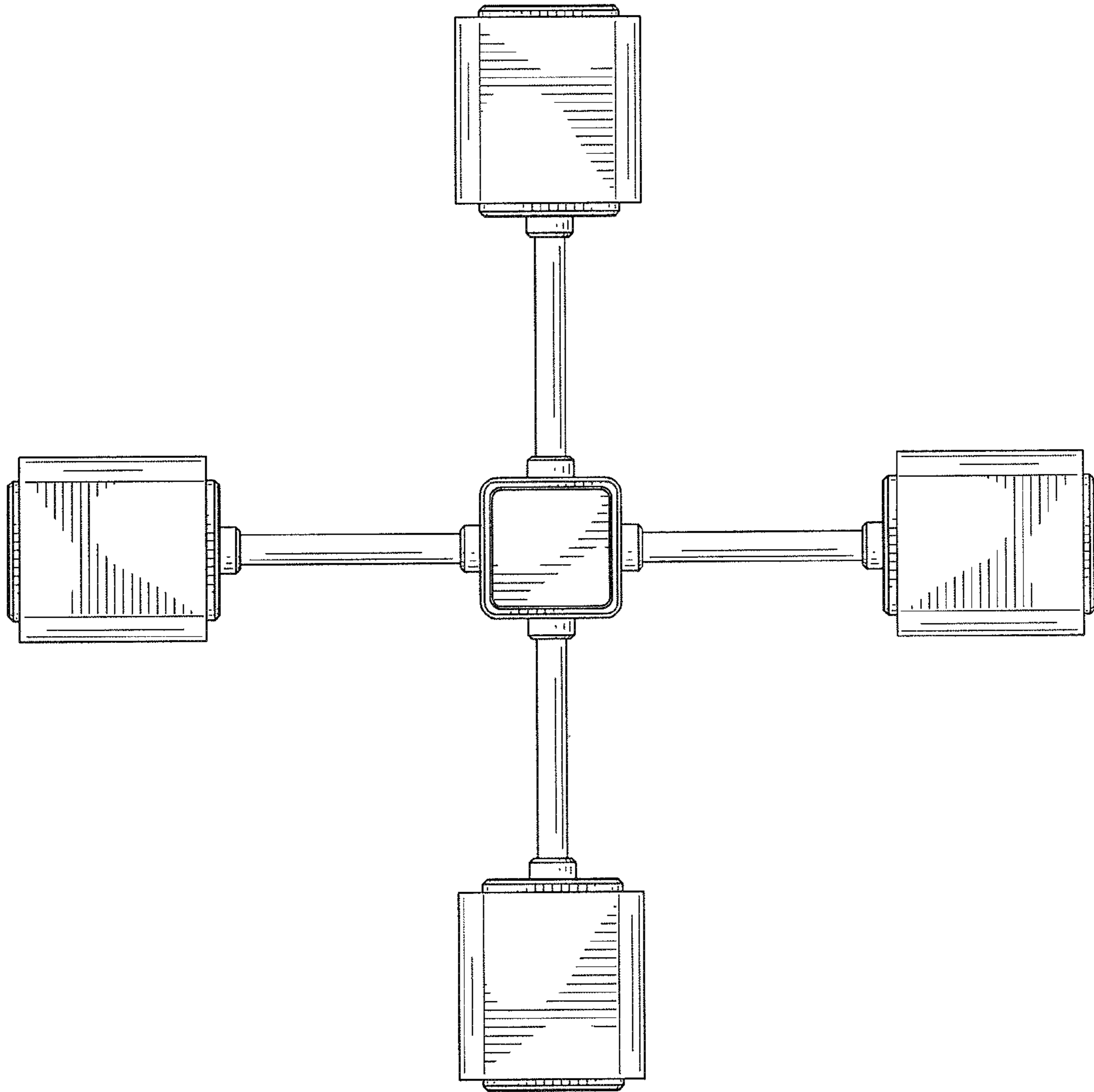


FIG. 2

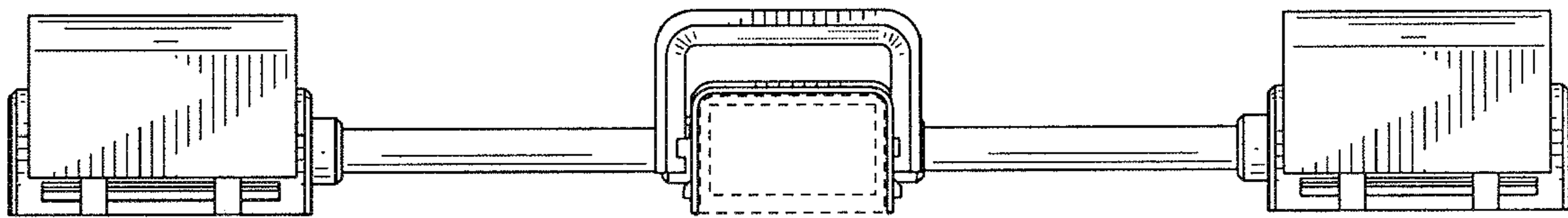


FIG. 3

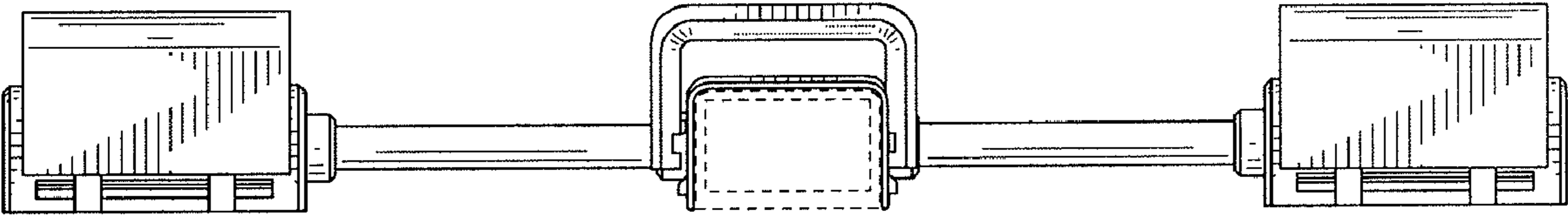


FIG. 4

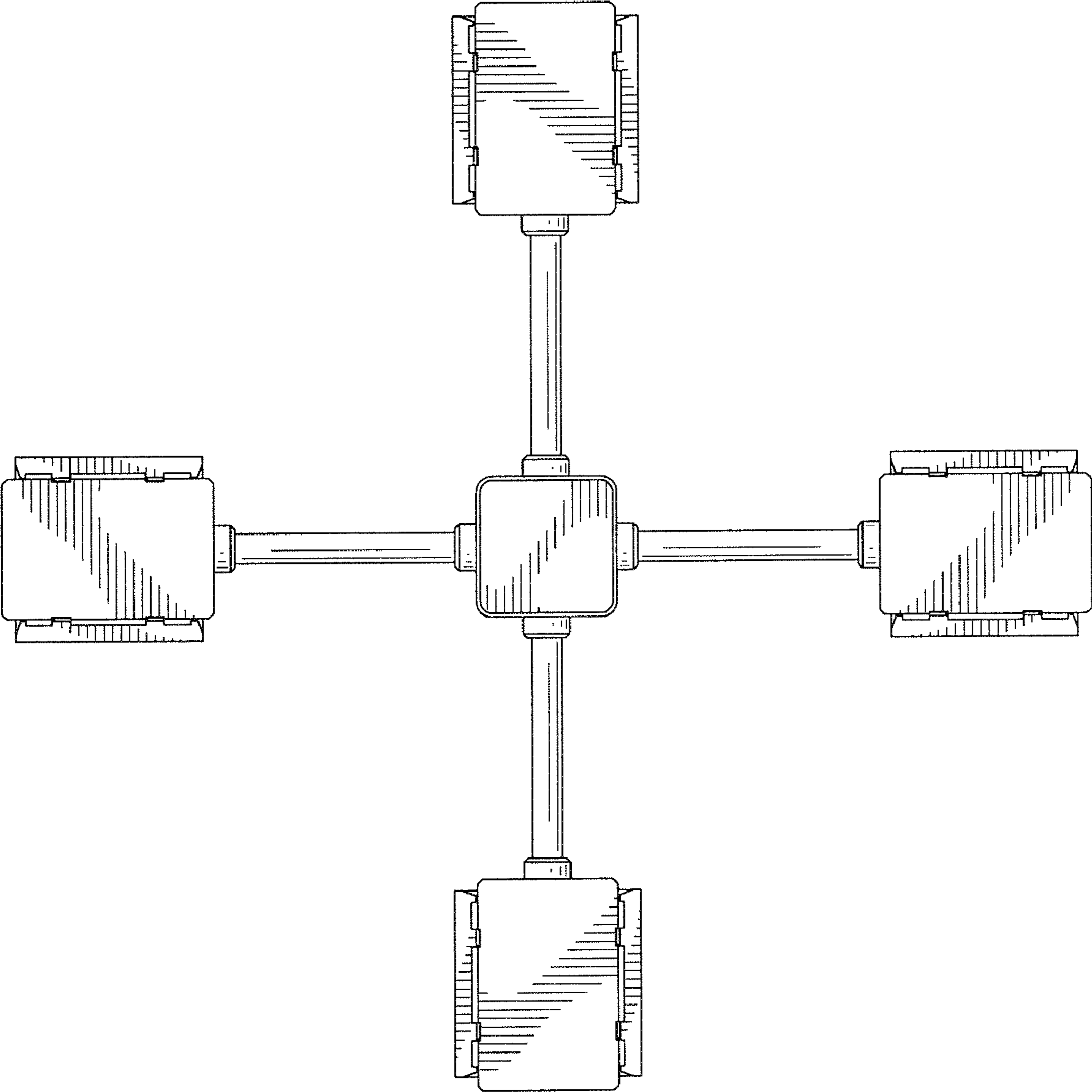


FIG. 5

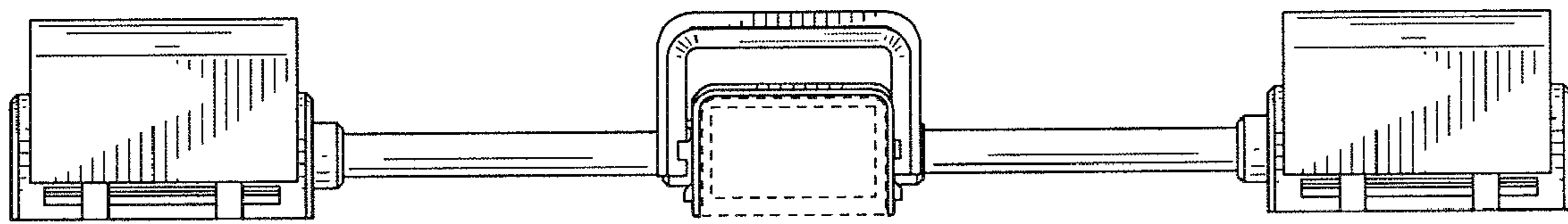


FIG. 6

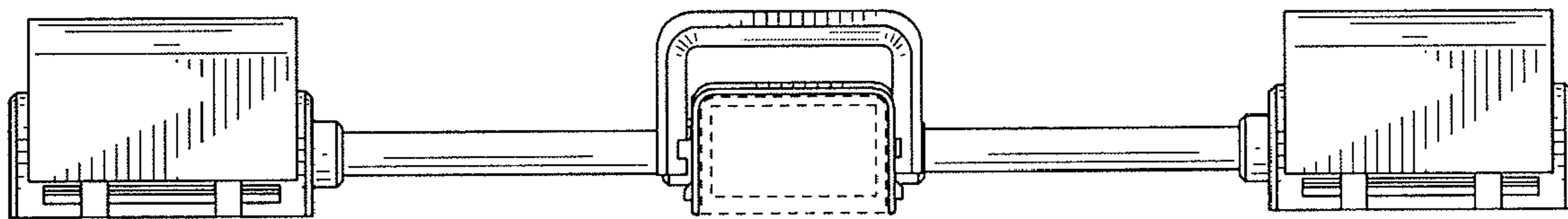


FIG. 7