

US00D669437S

(12) **United States Design Patent**
Wilson, Jr.

(10) **Patent No.:** **US D669,437 S**
(45) **Date of Patent:** **** Oct. 23, 2012**

(54) **INSULATOR**

(76) Inventor: **Robert M. Wilson, Jr.**, Battle Creek, MI
(US)

(**) Term: **14 Years**

(21) Appl. No.: **29/382,722**

(22) Filed: **Jan. 6, 2011**

(51) **LOC (9) Cl.** **13-03**

(52) **U.S. Cl.** **D13/129**

(58) **Field of Classification Search** D13/129,
D13/131, 132; D8/354, 356, 363, 364; 174/158 F,
174/163 F, 175
See application file for complete search history.

(56) **References Cited**

U.S. PATENT DOCUMENTS

| | | | | |
|-----------|-----|---------|----------------|-----------|
| 3,652,780 | A | 3/1972 | Wilson | |
| 3,733,429 | A * | 5/1973 | Berg et al. | 174/161 F |
| 3,752,902 | A | 8/1973 | Wilson | |
| 3,820,758 | A * | 6/1974 | Berg et al. | 256/10 |
| D233,732 | S * | 11/1974 | Langlie et al. | D13/132 |
| D233,823 | S * | 12/1974 | Langlie et al. | D13/132 |
| D233,824 | S * | 12/1974 | Berg et al. | D13/132 |
| D243,342 | S * | 2/1977 | Langlie et al. | D13/129 |
| 4,077,611 | A | 3/1978 | Wilson | |
| 4,263,477 | A | 4/1981 | Wilson, Sr. | |
| 4,552,783 | A | 11/1985 | Stoll et al. | |
| 4,599,488 | A | 7/1986 | Wilson, Jr. | |
| 4,623,756 | A | 11/1986 | Wilson, Jr. | |
| 4,680,428 | A | 7/1987 | Wilson, Jr. | |
| 4,771,137 | A * | 9/1988 | Thompson | 174/163 F |

| | | | | |
|-----------|------|---------|-----------------|-----------|
| 4,845,317 | A | 7/1989 | Wilson, Jr. | |
| 4,866,218 | A | 9/1989 | Wilson, Jr. | |
| 4,883,923 | A * | 11/1989 | Langlie et al. | 174/158 F |
| 4,900,271 | A | 2/1990 | Colleran et al. | |
| 5,959,255 | A | 9/1999 | Langlie et al. | |
| D416,859 | S * | 11/1999 | Langlie et al. | D13/129 |
| 6,290,190 | B1 * | 9/2001 | Kendall | 248/65 |
| 6,353,187 | B1 | 3/2002 | Wilson, Jr. | |
| 6,583,363 | B1 | 6/2003 | Wilson, Jr. | |
| D594,821 | S | 6/2009 | Wilson, Jr. | |

* cited by examiner

Primary Examiner — Thomas Johannes

(74) *Attorney, Agent, or Firm* — Gifford, Krass, Sprinkle,
Anderson & Citkowski, P.C.

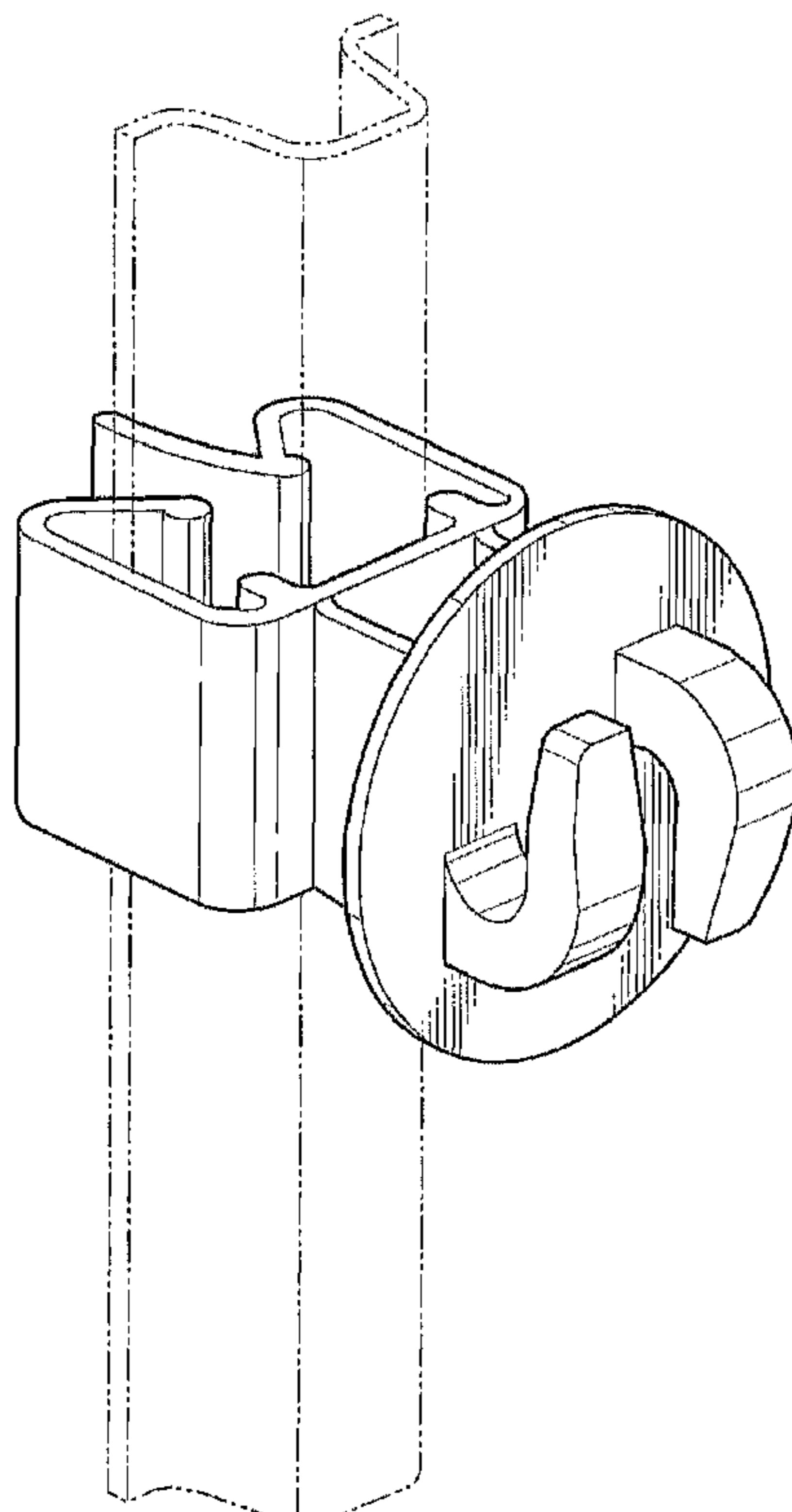
(57) **CLAIM**

I claim the ornamental design for an insulator, as shown and described.

DESCRIPTION

FIG. 1 is a right side perspective view of an insulator showing my new design;
FIG. 2 is a right side view thereof;
FIG. 3 is a front view thereof;
FIG. 4 is a left side view thereof;
FIG. 5 is a rear view thereof;
FIG. 6 is a bottom view thereof; and,
FIG. 7 is a top view thereof.
The broken line portion of FIG. 1 showing a post apparatus is included to show unclaimed subject matter only and forms no part of the claimed design.

1 Claim, 3 Drawing Sheets



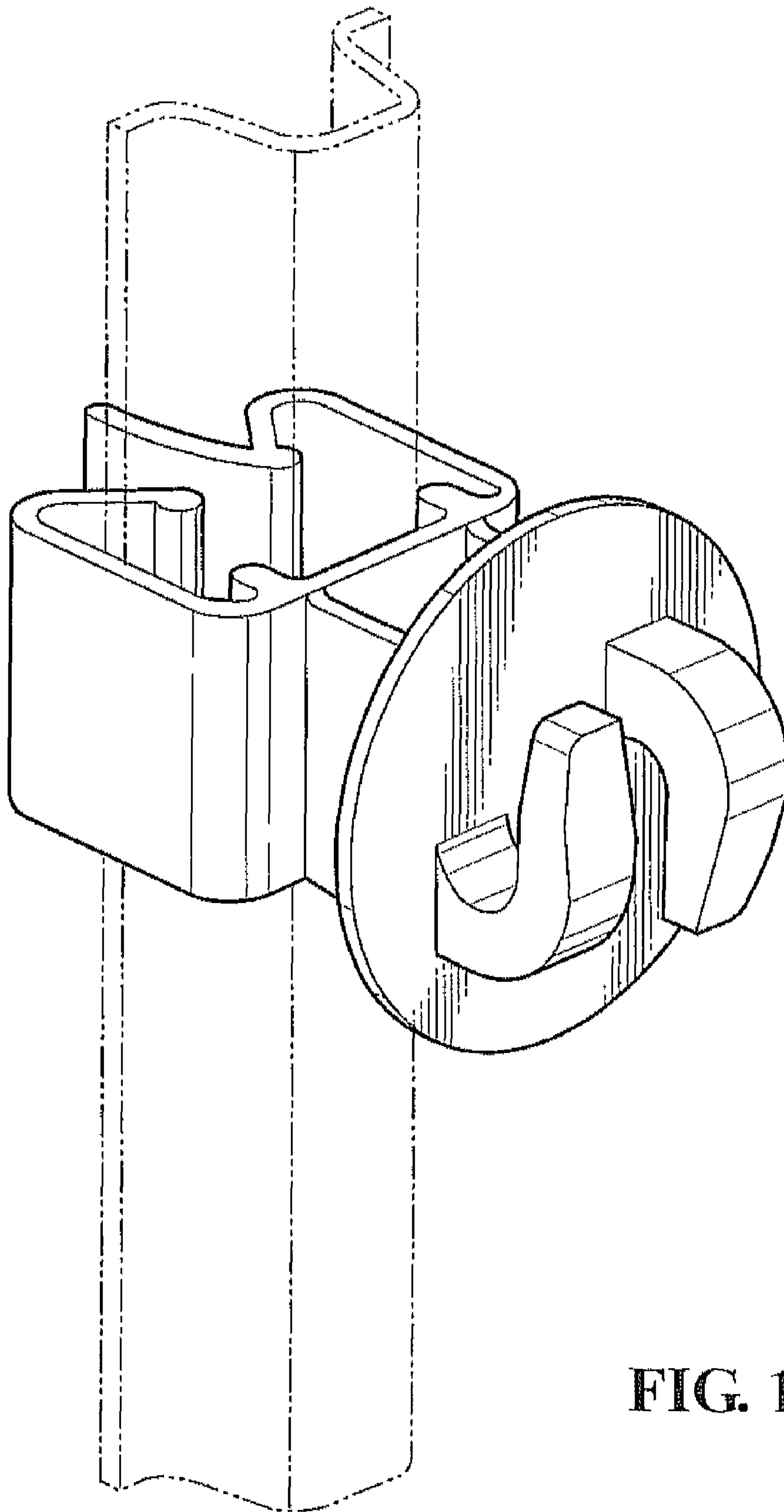


FIG. 1

FIG. 2

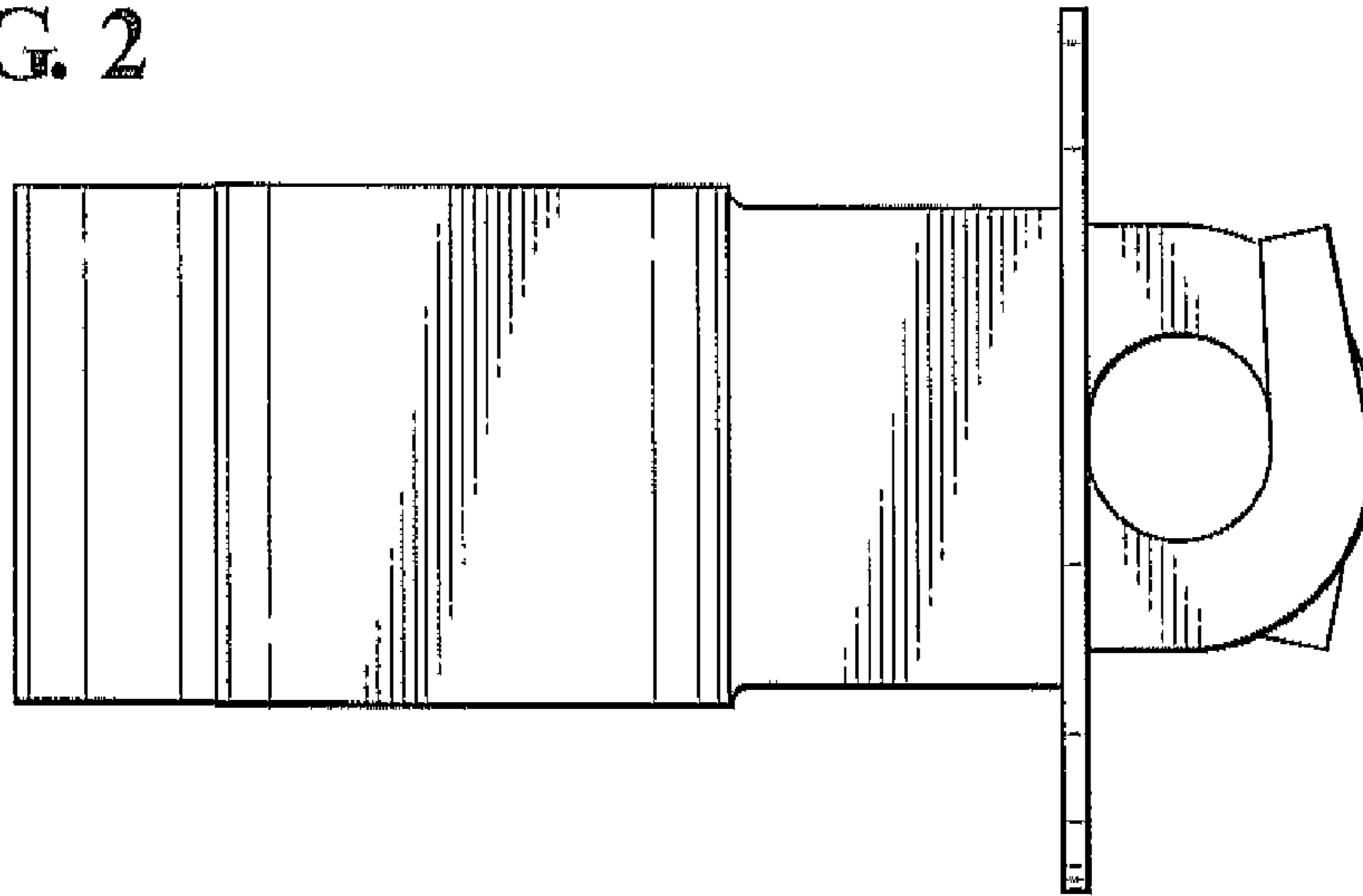


FIG. 3

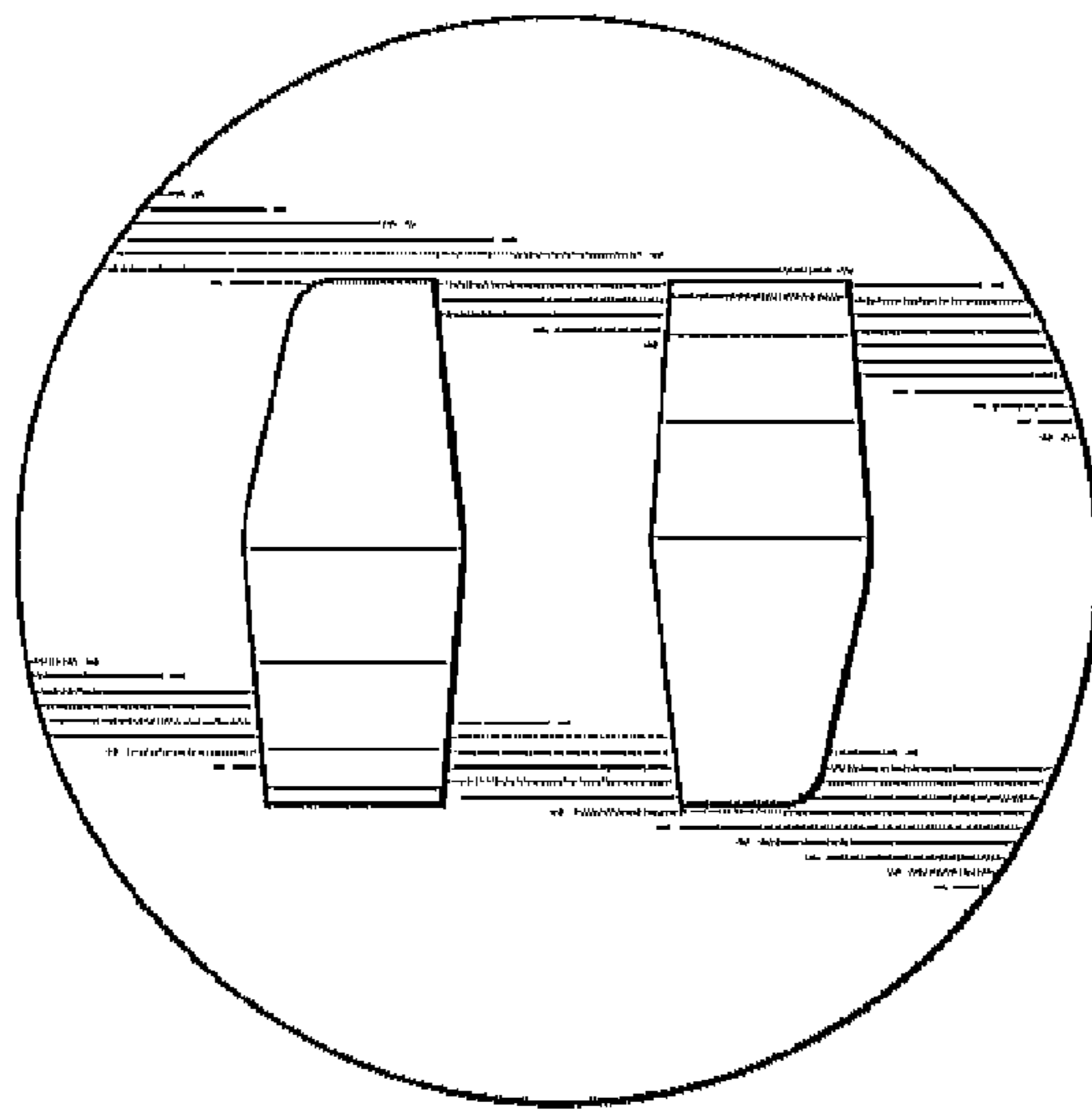


FIG. 4

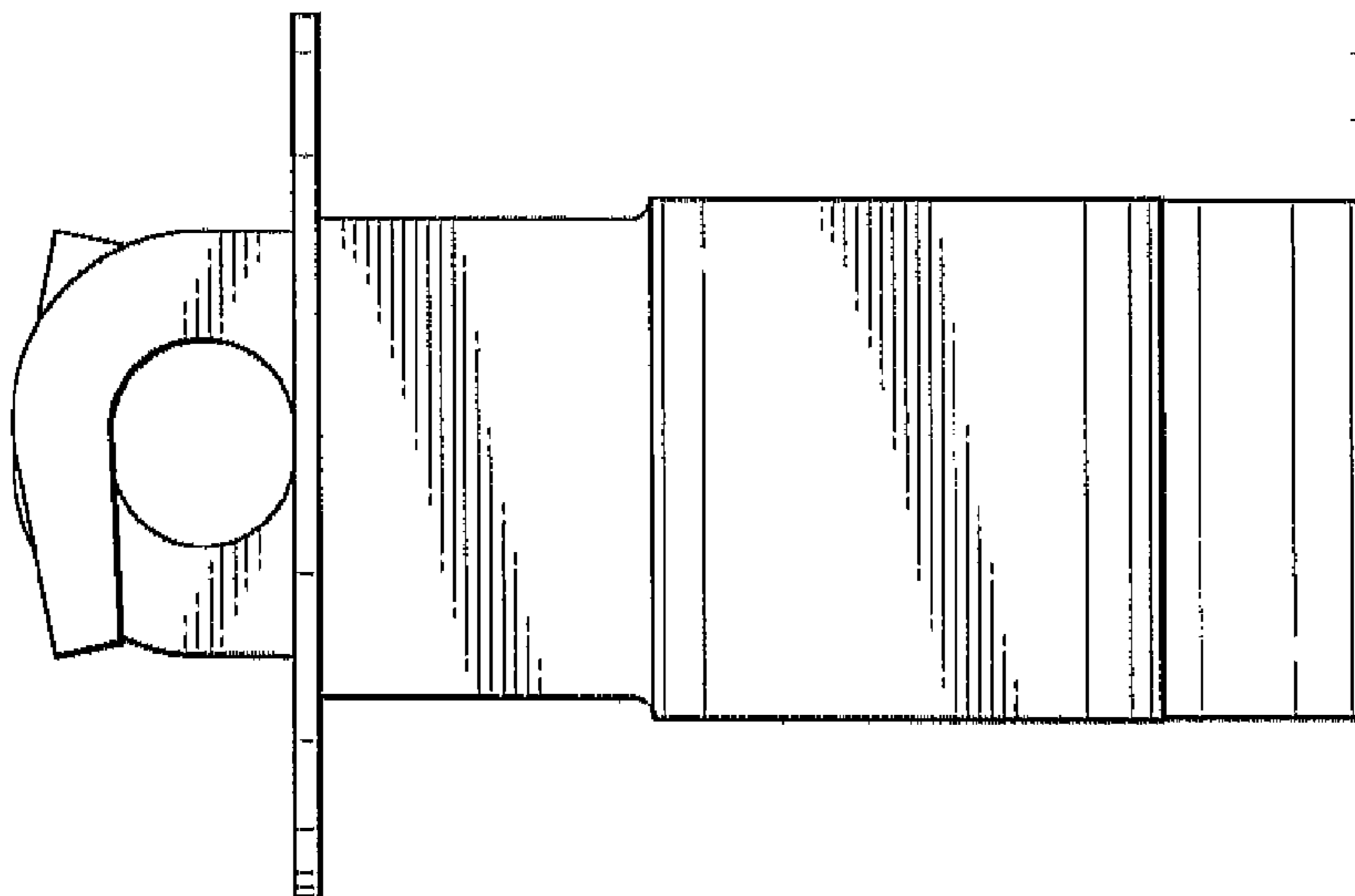


FIG. 5

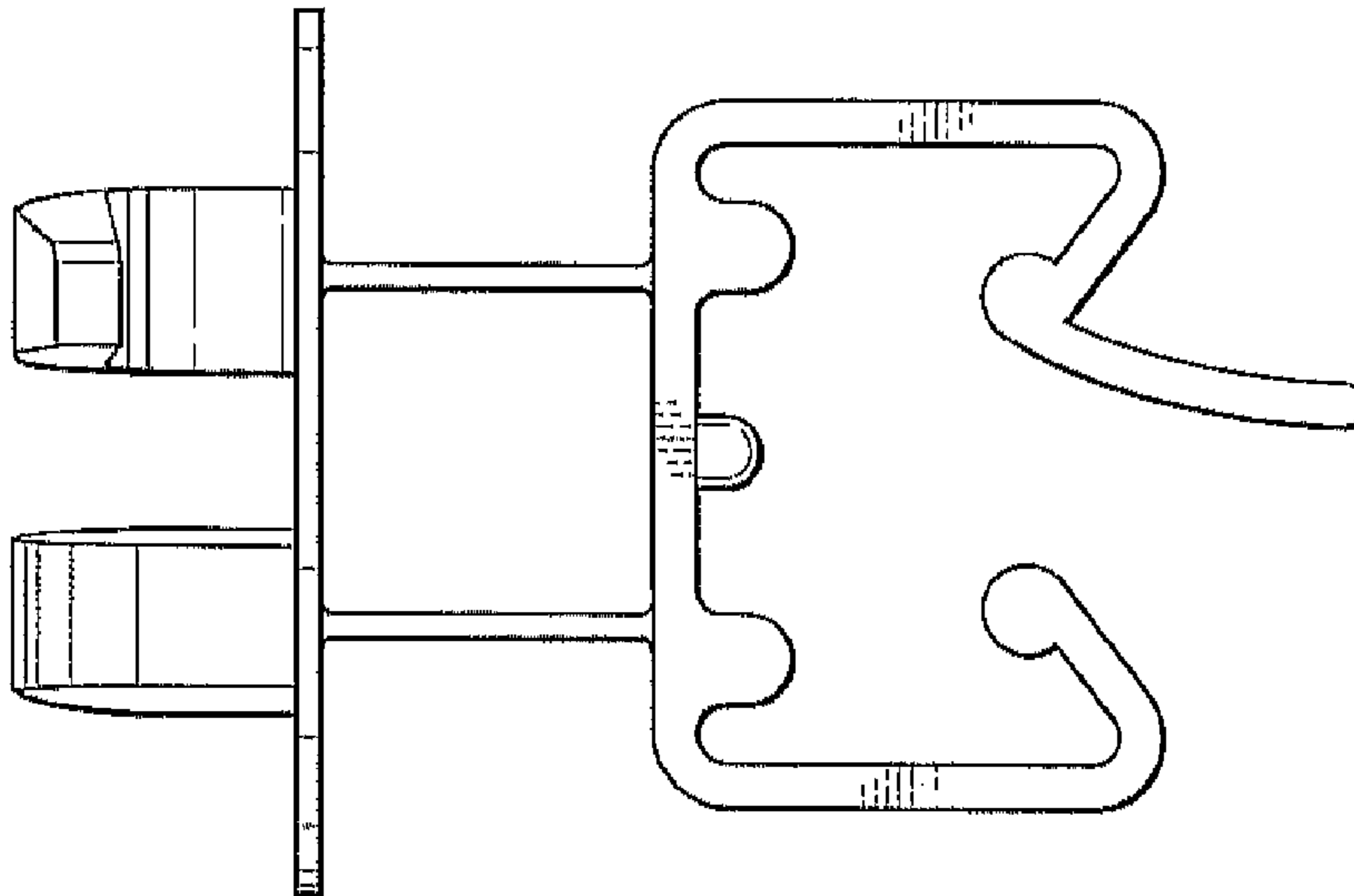
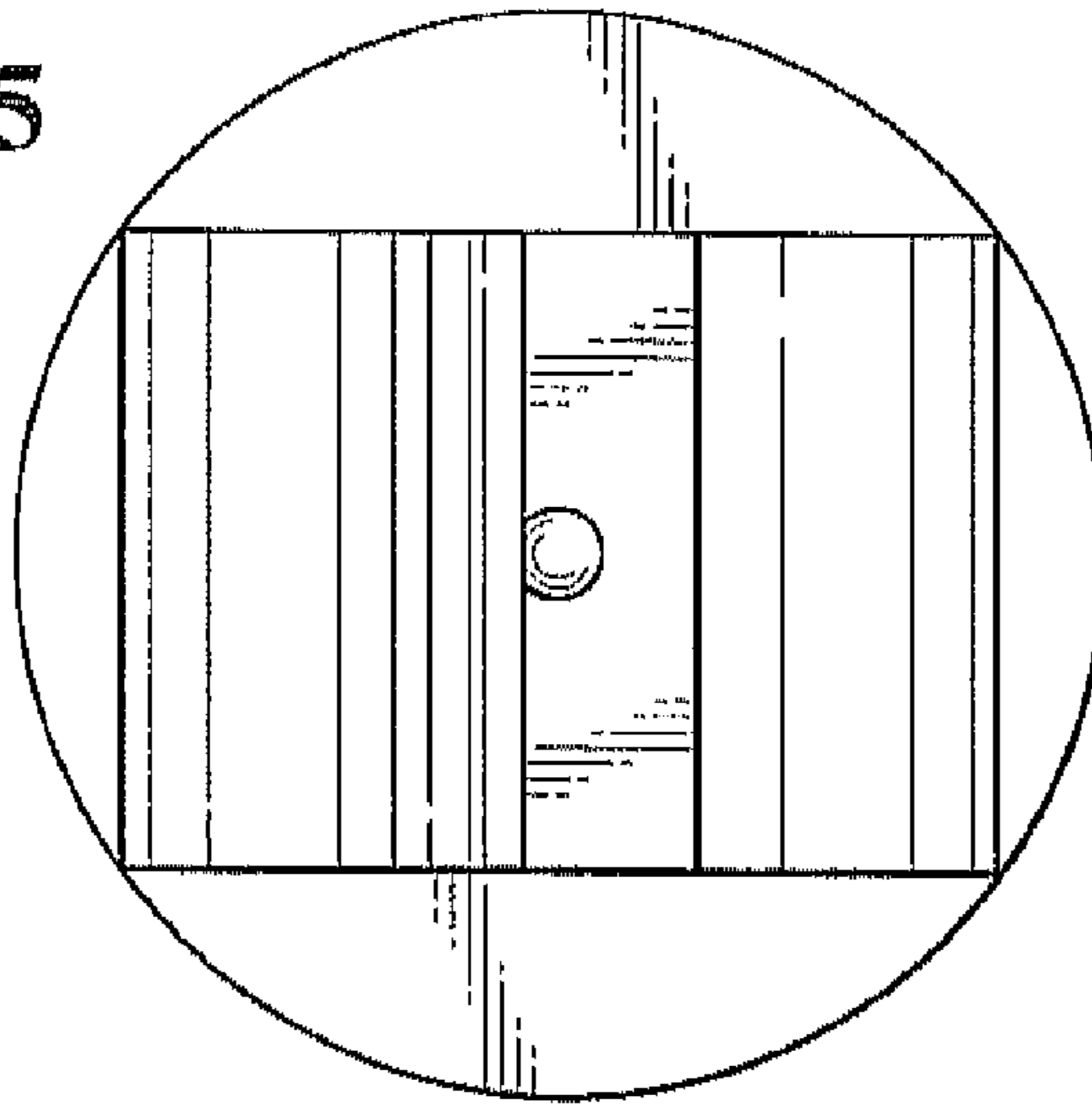


FIG. 6

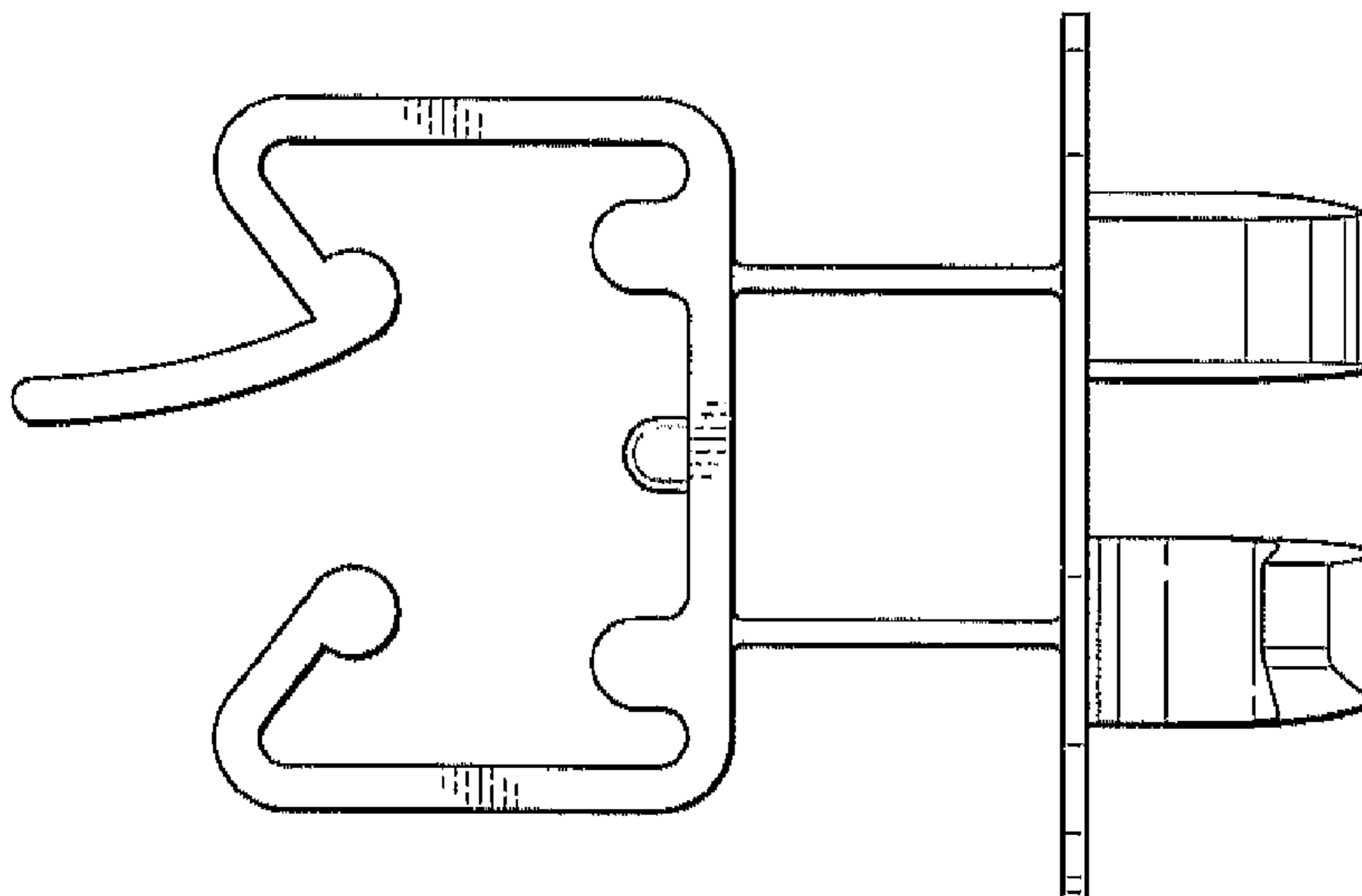


FIG. 7