

US00D669432S

(12) **United States Design Patent**
Park

(10) **Patent No.:** **US D669,432 S**

(45) **Date of Patent:** **** Oct. 23, 2012**

(54) **CONTACTLESS CHARGER**

(75) Inventor: **Jun-Sang Park**, Anyang-si (KR)

(73) Assignee: **Samsung Electronics Co., Ltd.**

(**) Term: **14 Years**

(21) Appl. No.: **29/417,290**

(22) Filed: **Apr. 2, 2012**

(30) **Foreign Application Priority Data**

Oct. 14, 2011 (KR) 30-2011-0042824

(51) **LOC (9) Cl.** **13-02**

(52) **U.S. Cl.** **D13/108**

(58) **Field of Classification Search** D13/107-110,
D13/118-119, 184; D14/251, 253, 432,
D14/434; 320/107-115

See application file for complete search history.

(56) **References Cited**

U.S. PATENT DOCUMENTS

D598,372 S * 8/2009 Sasada D13/102
D637,951 S * 5/2011 Perez D13/108

D638,020 S * 5/2011 Johnson et al. D14/434
D655,293 S * 3/2012 Gioscia et al. D14/434
2011/0266997 A1* 11/2011 Krancher et al. 320/107

* cited by examiner

Primary Examiner — Rosemary K Tarca

(74) *Attorney, Agent, or Firm* — NSIP Law

(57) **CLAIM**

The ornamental design for a contactless charger, as shown and described.

DESCRIPTION

FIG. 1 is a perspective view of a contactless charger;
FIG. 2 is a front view of the contactless charger of FIG. 1;
FIG. 3 is a rear view of the contactless charger of FIG. 1;
FIG. 4 is a left-side view of the contactless charger of FIG. 1;
FIG. 5 is a right-side view of the contactless charger of FIG. 1;
FIG. 6 is a top plan view of the contactless charger of FIG. 1;
FIG. 7 is a bottom plan view of the contactless charger of FIG. 1; and,
FIG. 8 is a rear perspective view of the contactless charger of FIG. 1.

1 Claim, 5 Drawing Sheets

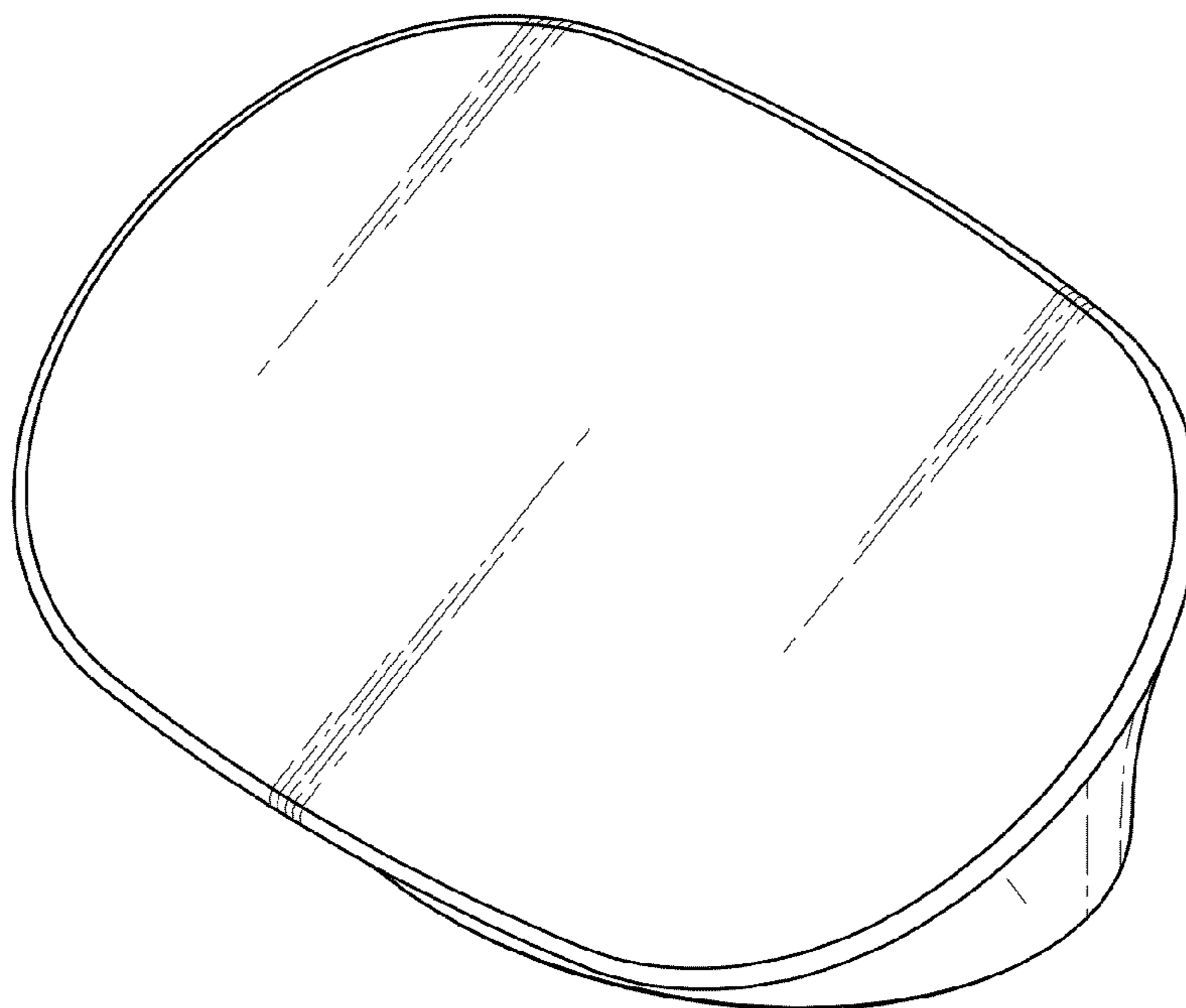


FIG. 1

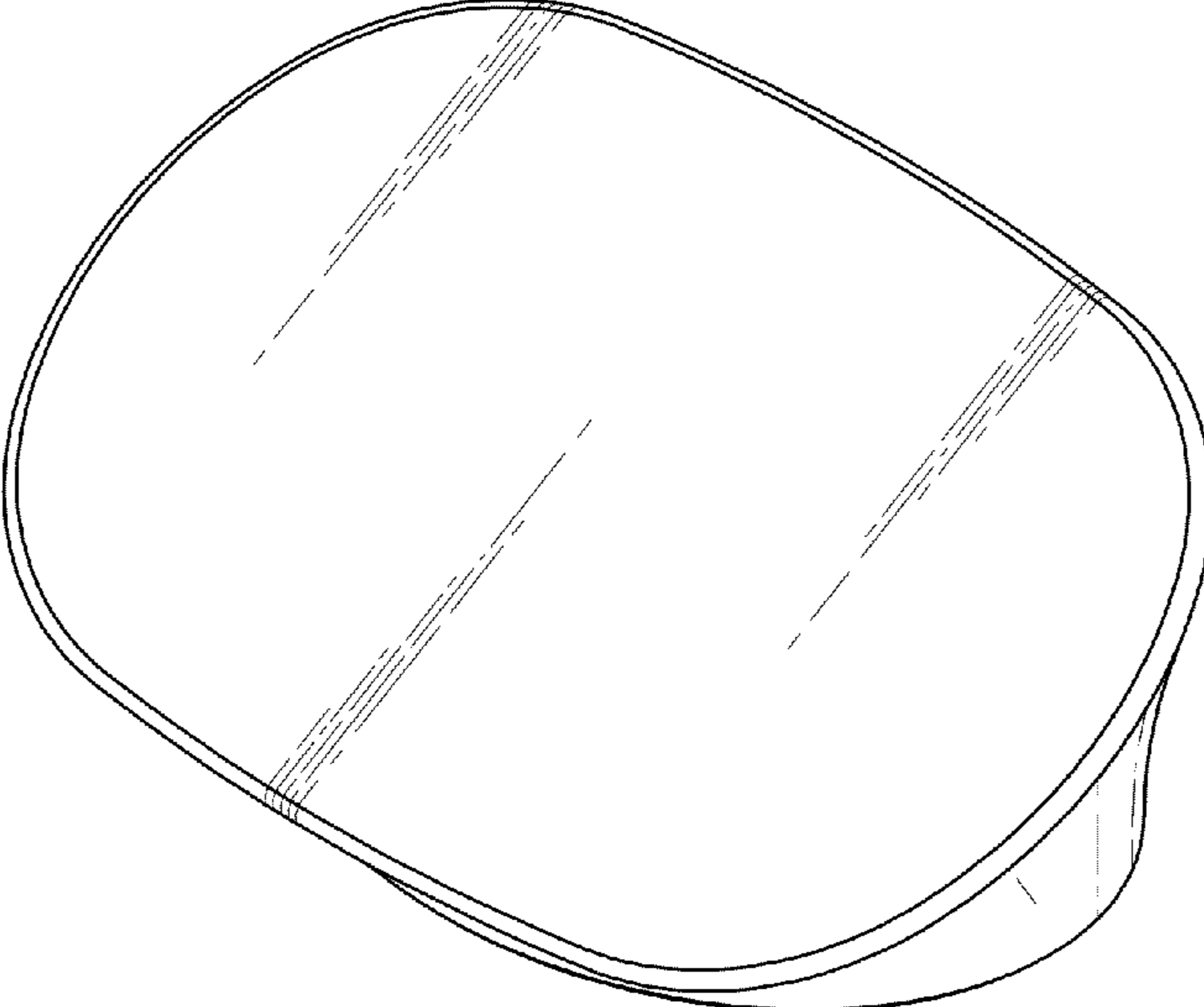


FIG. 2

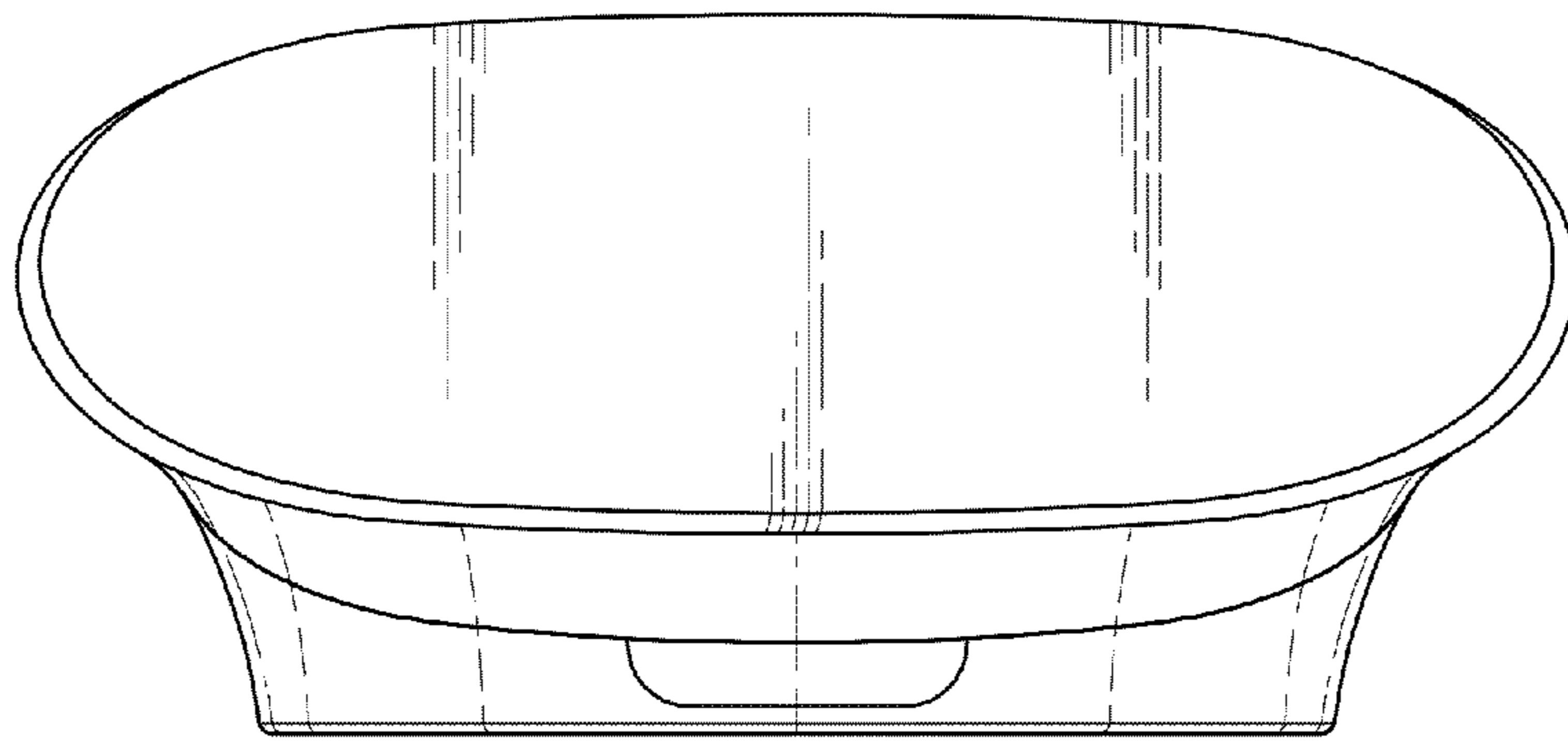


FIG. 3

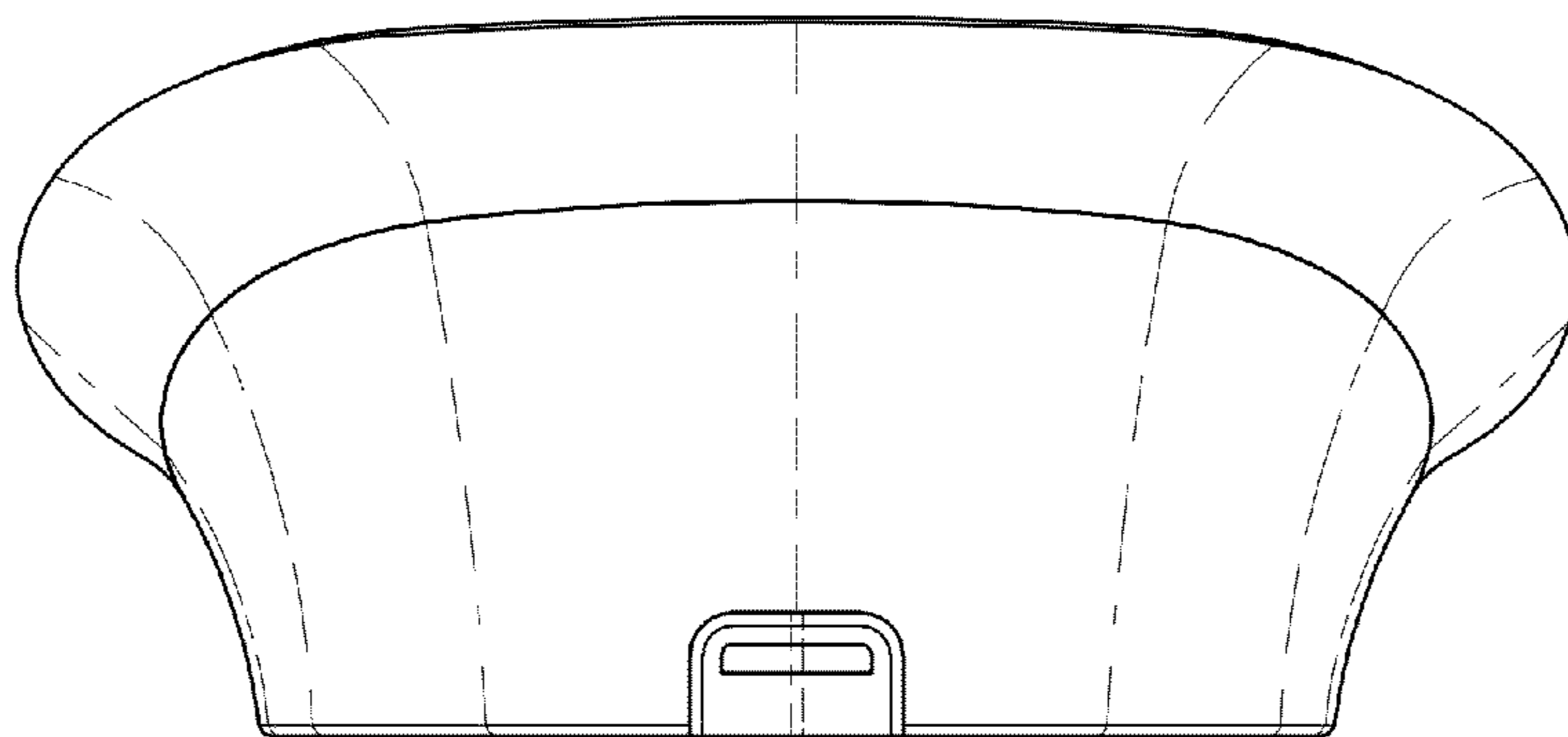


FIG. 4

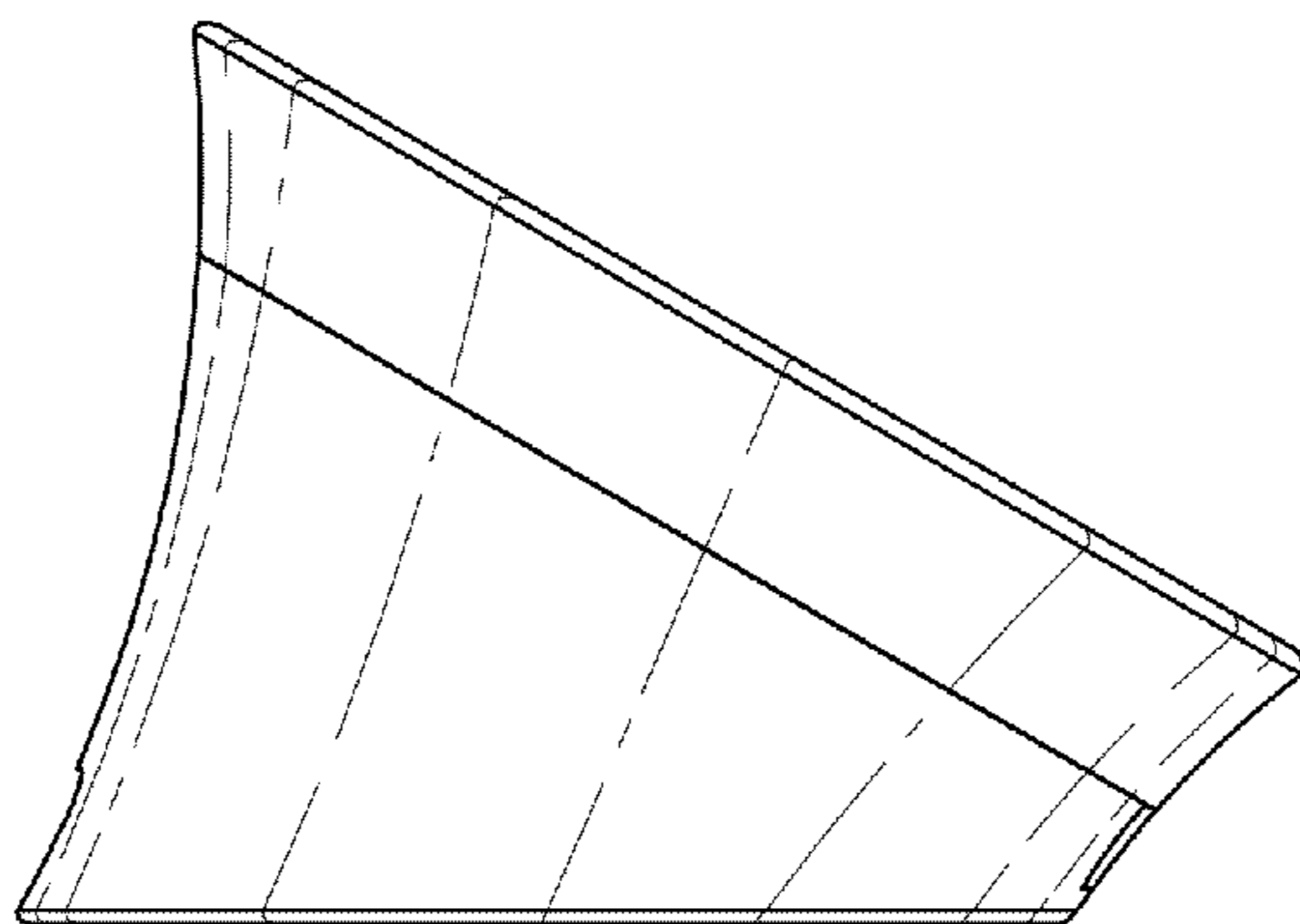


FIG. 5

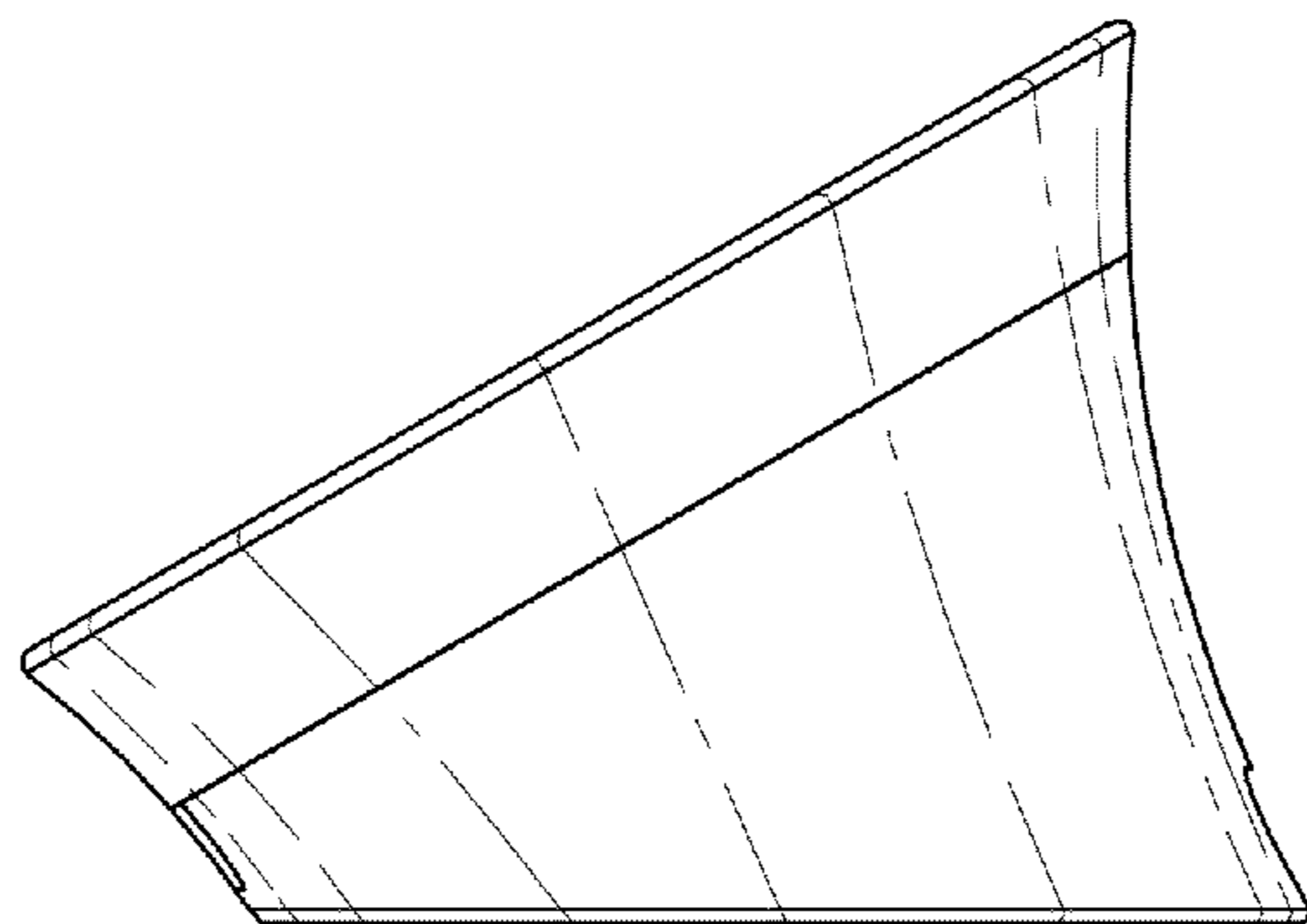


FIG. 6

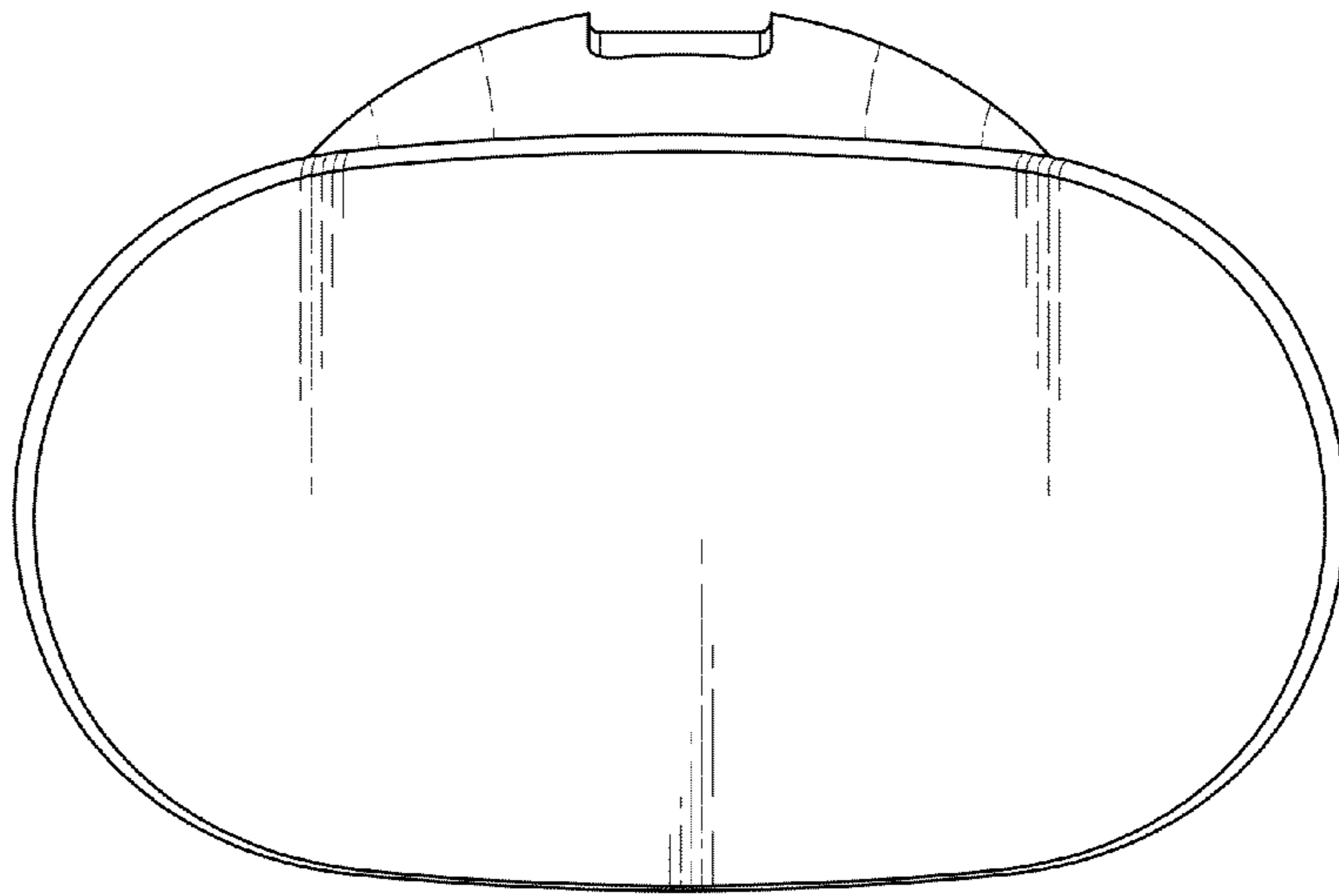


FIG. 7

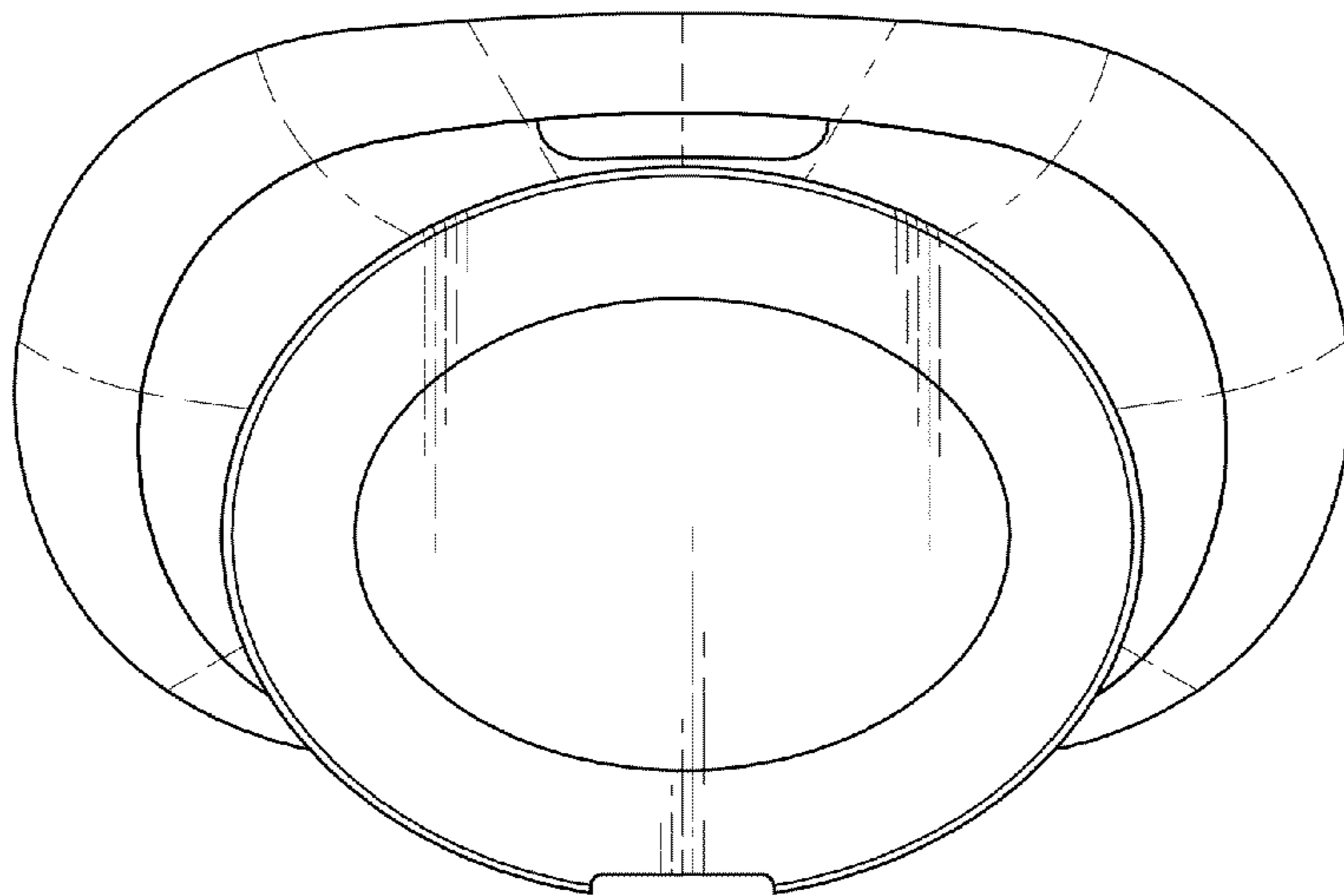


FIG. 8

