



US00D669427S

(12) **United States Design Patent**  
**Ignor et al.**

(10) **Patent No.:** **US D669,427 S**  
(45) **Date of Patent:** **\*\* Oct. 23, 2012**

- (54) **ELECTRONIC DEVICE BATTERY**
- (75) Inventors: **Matthew Michael Ignor**, Stratford (CA); **Philip James Prociw**, Waterloo (CA); **Taha Shabbir Husain Sutarwala**, Mississauga (CA); **Mallikarjun Boda**, Irving, TX (US)
- (73) Assignee: **Research In Motion Limited**, Waterloo, Ontario (CA)

(\*\*) Term: **14 Years**

(21) Appl. No.: **29/410,634**

(22) Filed: **Jan. 10, 2012**

(51) **LOC (9) Cl.** ..... **13-02**

(52) **U.S. Cl.** ..... **D13/103**

(58) **Field of Classification Search** ..... D13/102-106,  
D13/110, 118-119, 184; 429/96-100, 163,  
429/176

See application file for complete search history.

(56) **References Cited**

**U.S. PATENT DOCUMENTS**

D386,742 S *	11/1997	Amero et al. ....	D13/103
D414,158 S *	9/1999	Frye et al. ....	D13/103
D414,159 S *	9/1999	Deslyper et al. ....	D13/103
D423,449 S *	4/2000	Naskali ....	D13/103
D474,149 S *	5/2003	Kawahata et al. ....	D13/103

D481,995 S *	11/2003	Yokota .....	D13/103
D509,182 S *	9/2005	Takeshita et al. ....	D13/103
D524,241 S *	7/2006	Takeshita et al. ....	D13/103
D601,494 S *	10/2009	Otani et al. ....	D13/103
D623,590 S *	9/2010	Otani et al. ....	D13/103
D642,980 S *	8/2011	Inaba .....	D13/119
D644,988 S *	9/2011	Finney et al. ....	D13/103
D645,814 S *	9/2011	Otani et al. ....	D13/103
D651,167 S *	12/2011	Lemelman et al. ....	D13/103
2011/0183174 A1 *	7/2011	Ouyang .....	429/97
2012/0009463 A1 *	1/2012	Lee .....	429/163
2012/0034511 A1 *	2/2012	Kitamura .....	429/163

\* cited by examiner

*Primary Examiner* — Rosemary K Tarcza

(57) **CLAIM**

We claim the ornamental design for an electronic device battery, as shown and described.

**DESCRIPTION**

FIG. 1 is a front perspective view of an electronic device battery;

FIG. 2 is a back bottom perspective view of the electronic device battery;

FIG. 3 is a top plan view thereof;

FIG. 4 is a bottom plan view thereof;

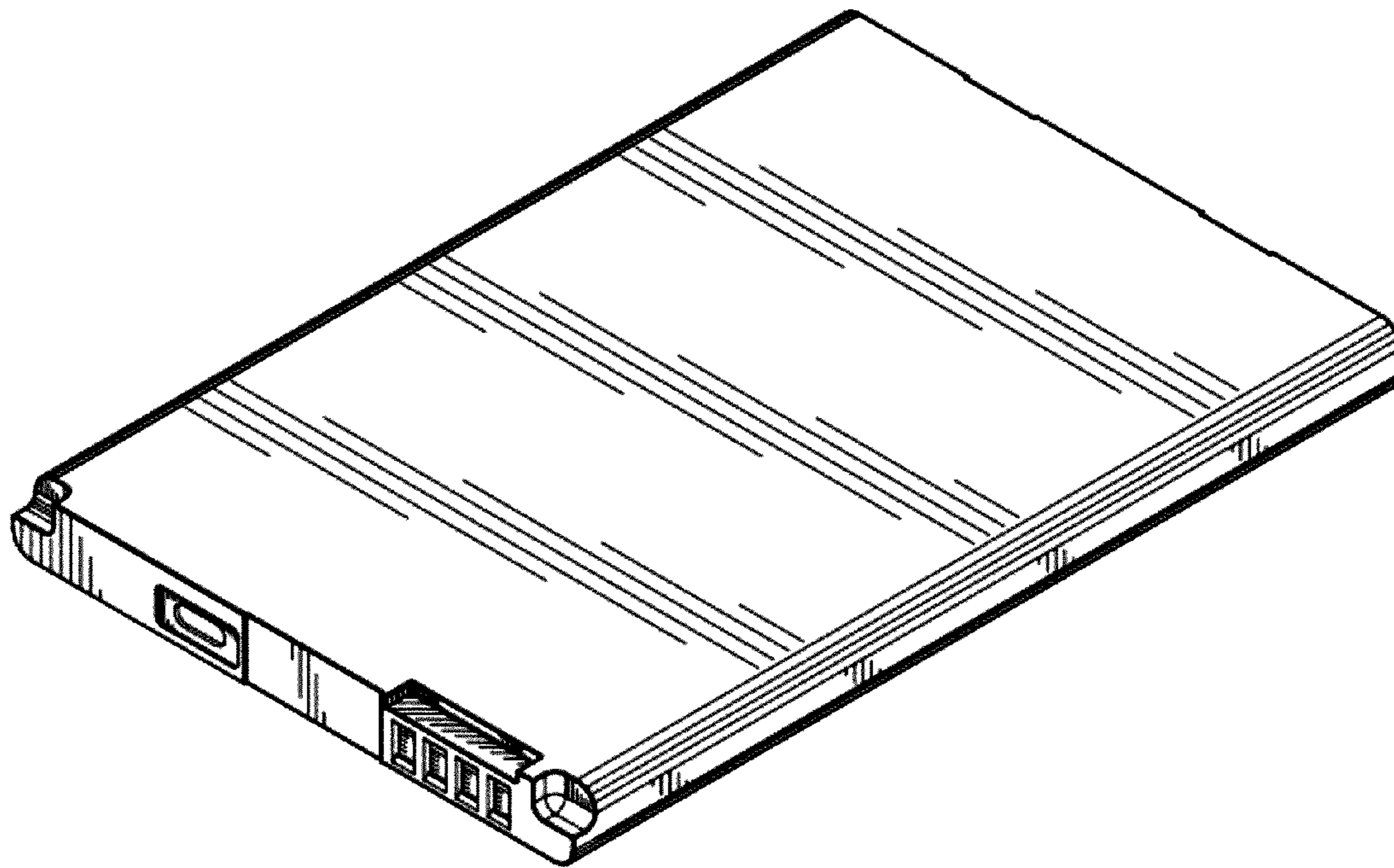
FIG. 5 is a back elevational view thereof;

FIG. 6 is a front elevational view thereof;

FIG. 7 is a left elevational view thereof; and,

FIG. 8 is a right elevational view thereof.

**1 Claim, 6 Drawing Sheets**



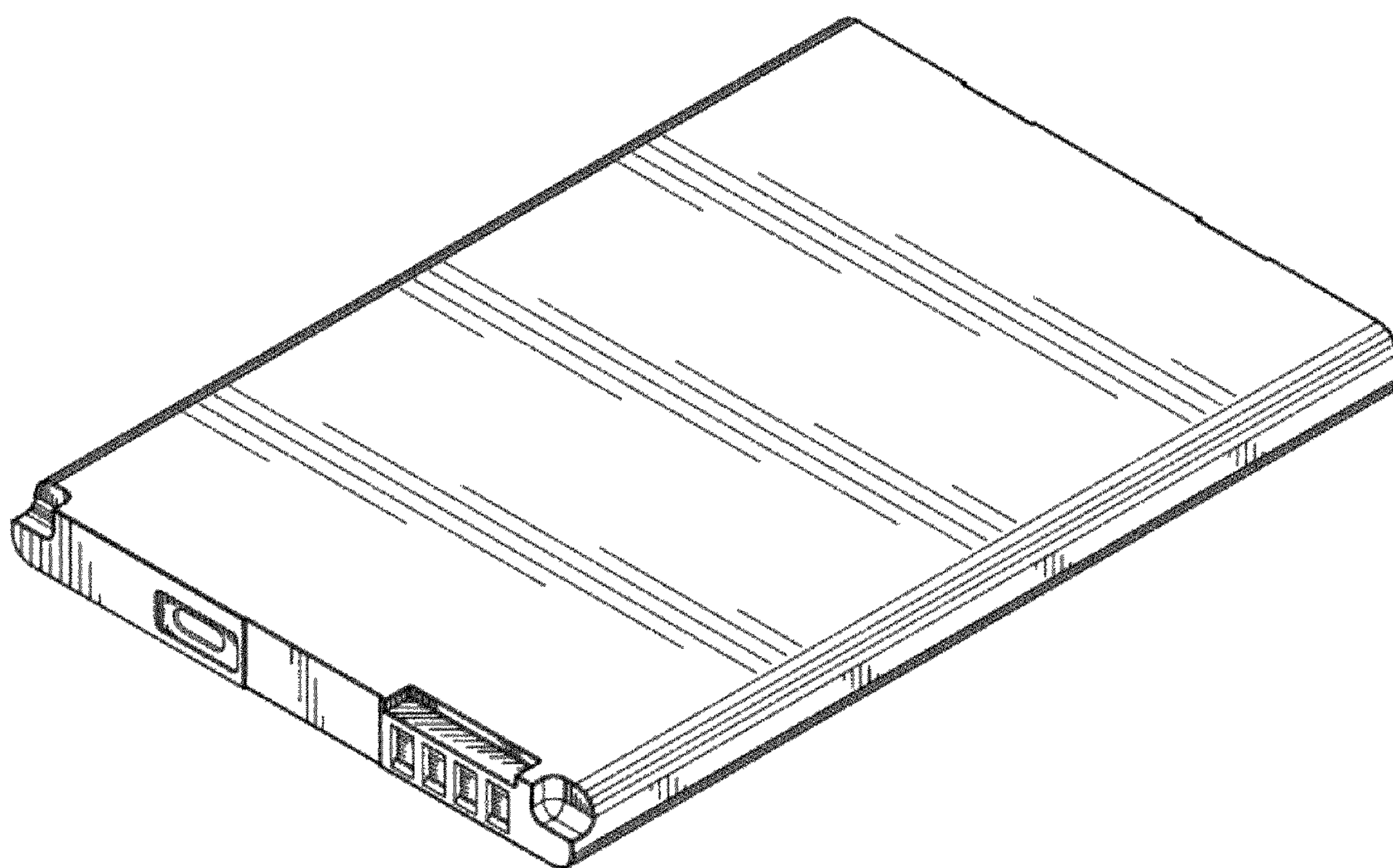


FIG.1

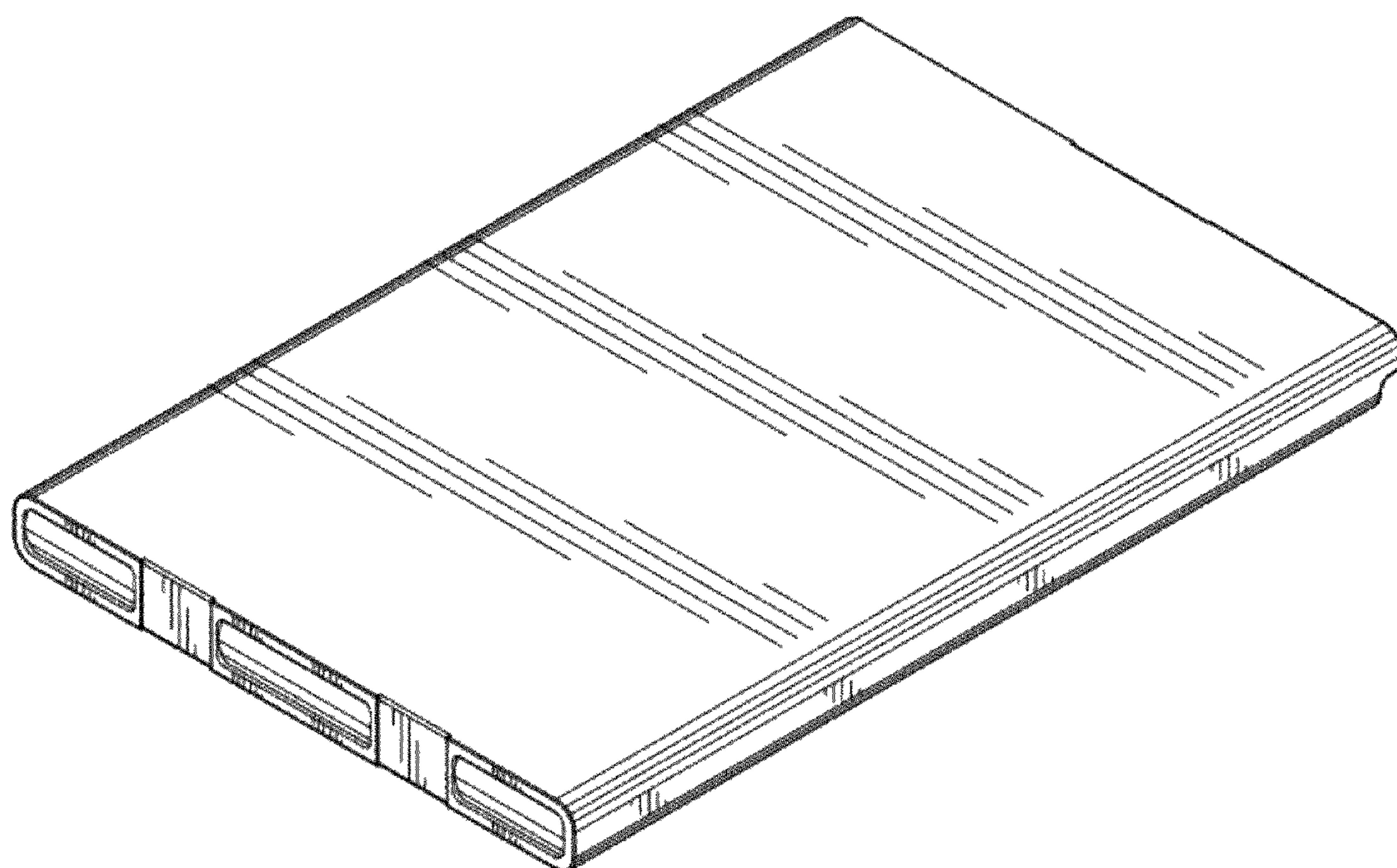


FIG.2

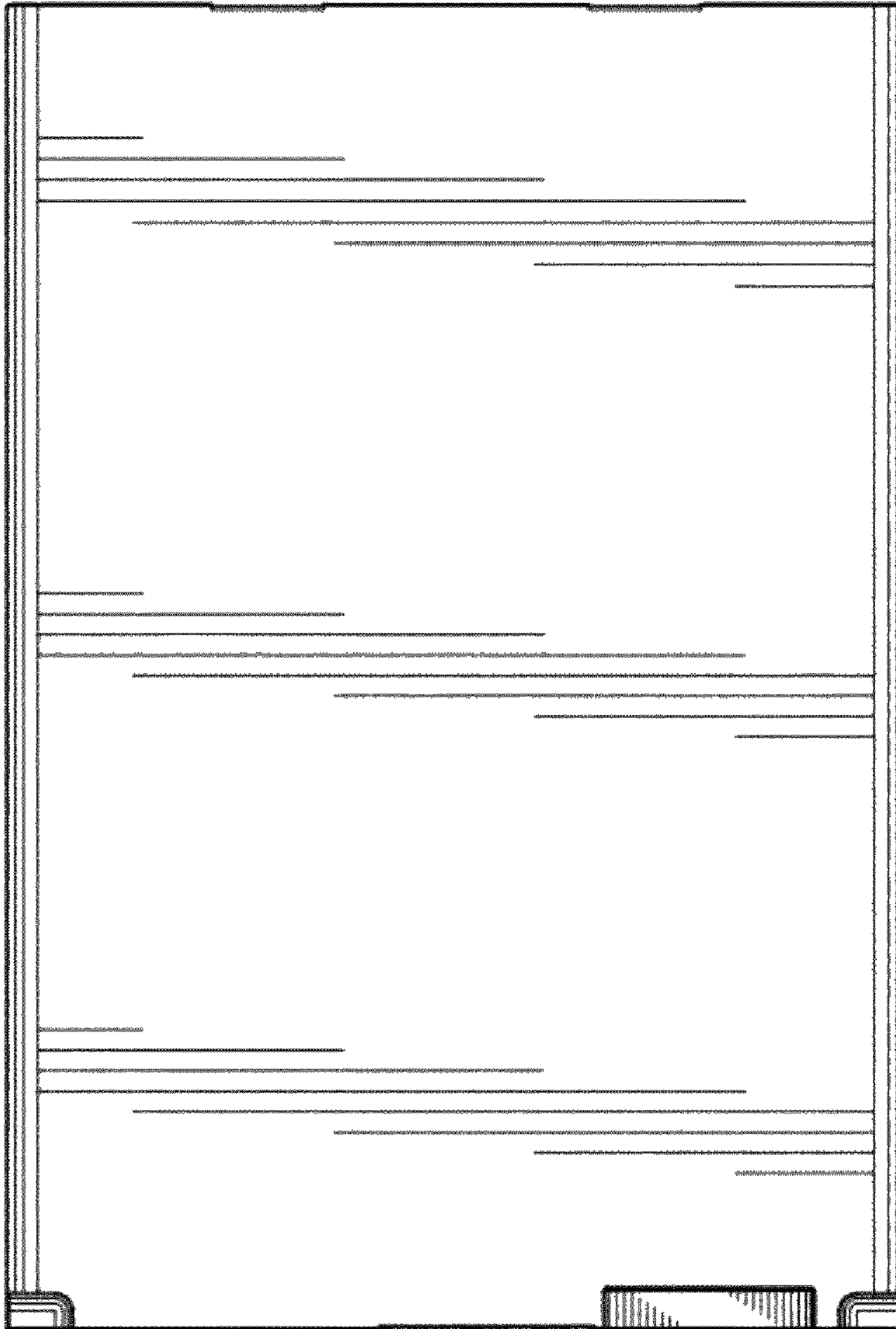


FIG.3

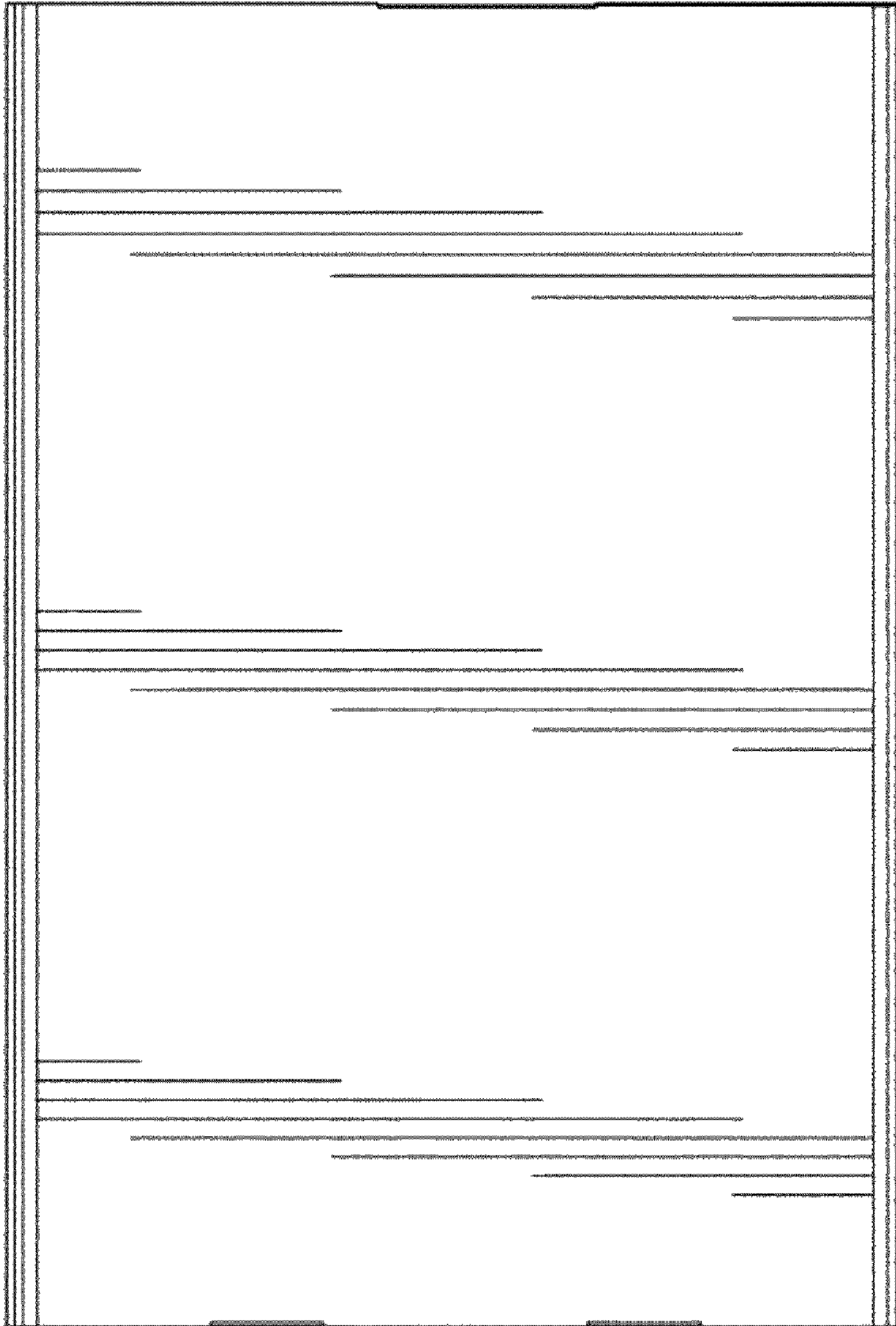


FIG. 4



FIG. 5

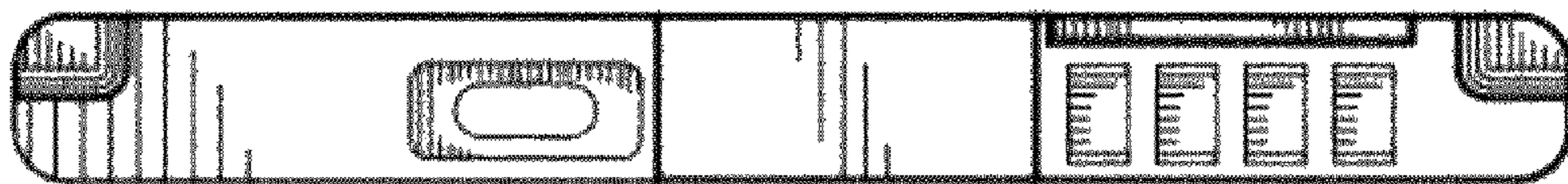


FIG. 6

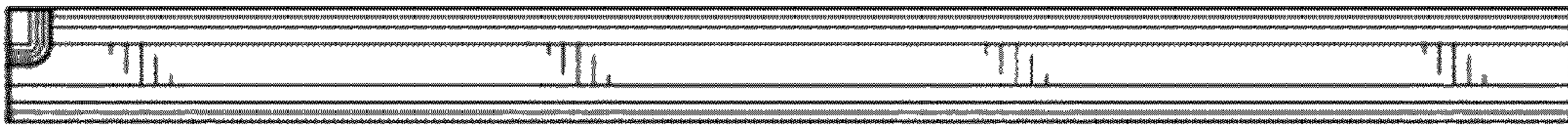


FIG. 7

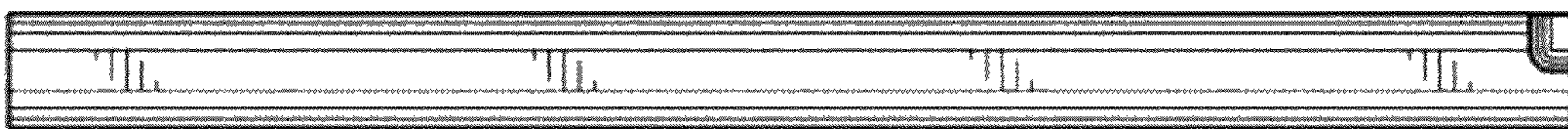


FIG. 8