



US00D669423S

(12) **United States Design Patent**
Fujioka

(10) **Patent No.:** **US D669,423 S**

(45) **Date of Patent:** **** Oct. 23, 2012**

(54) **TIRE**

(75) Inventor: **Tsuyoshi Fujioka**, Osaka (JP)

(73) Assignee: **Toyo Tire & Rubber Co., Ltd.**, Osaka (JP)

(**) Term: **14 Years**

(21) Appl. No.: **29/383,361**

(22) Filed: **Jan. 14, 2011**

(30) **Foreign Application Priority Data**

Jul. 16, 2010 (JP) 2010-017400

(51) **LOC (9) Cl.** **12-16**

(52) **U.S. Cl.** **D12/594**

(58) **Field of Classification Search** D12/568-603;
152/209.1-209.28

See application file for complete search history.

(56) **References Cited**

U.S. PATENT DOCUMENTS

D641,309 S * 7/2011 Takada D12/594
2011/0303333 A1 * 12/2011 Muto 152/209.25

FOREIGN PATENT DOCUMENTS

JP 1030395 1/1999
JP 1219777 10/2004

* cited by examiner

Primary Examiner — George D Kirschbaum

(74) *Attorney, Agent, or Firm* — Sterne, Kessler, Goldstein & Fox PLLC

(57) **CLAIM**

The ornamental design for a tire, as shown and described.

DESCRIPTION

FIG. 1 is a perspective view of a tire showing my new design;

FIG. 2 is a front view thereof;

FIG. 3 is a rear view thereof;

FIG. 4 is a top plan view thereof;

FIG. 5 is a bottom plan view thereof;

FIG. 6 is a right side view thereof;

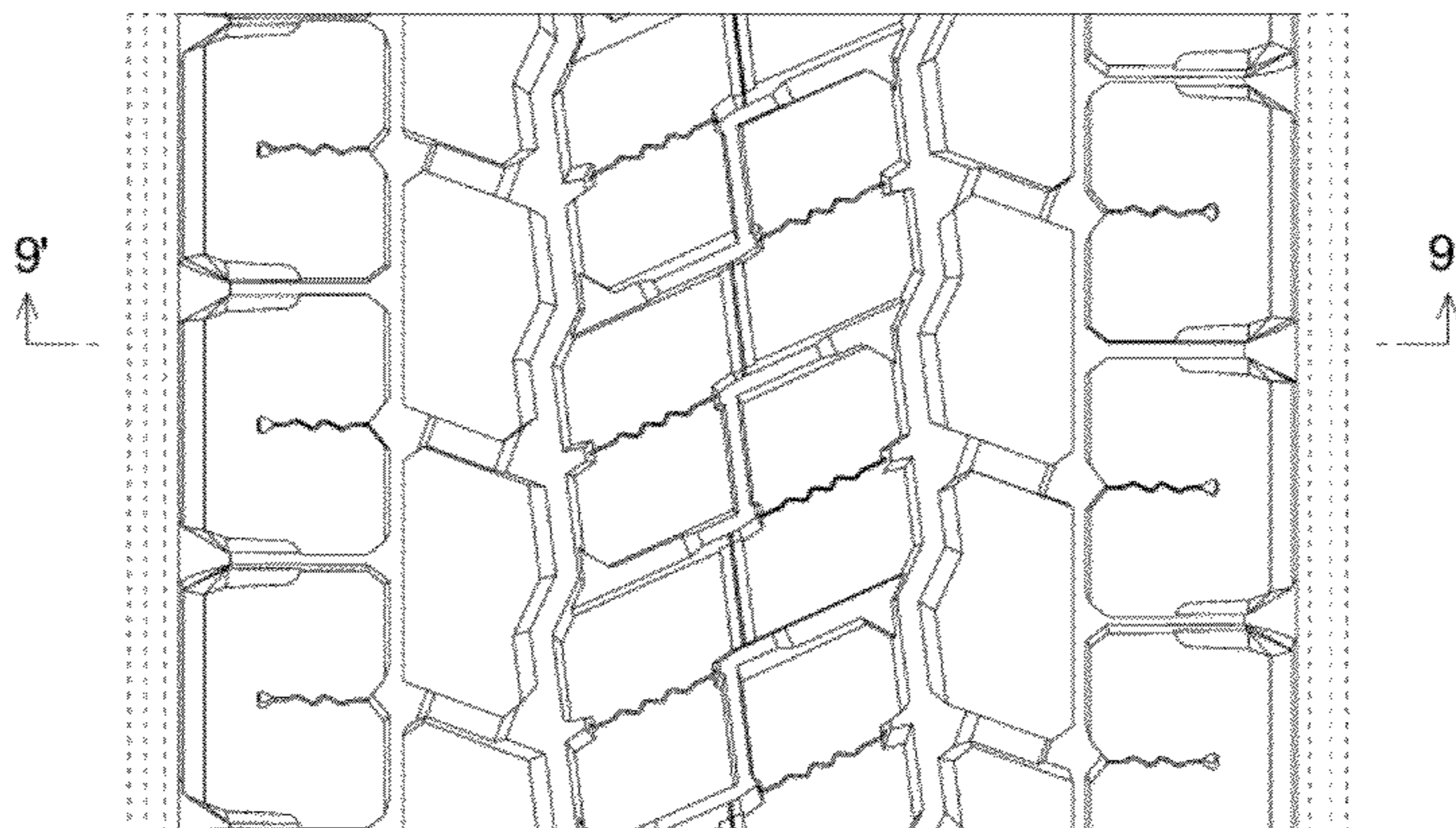
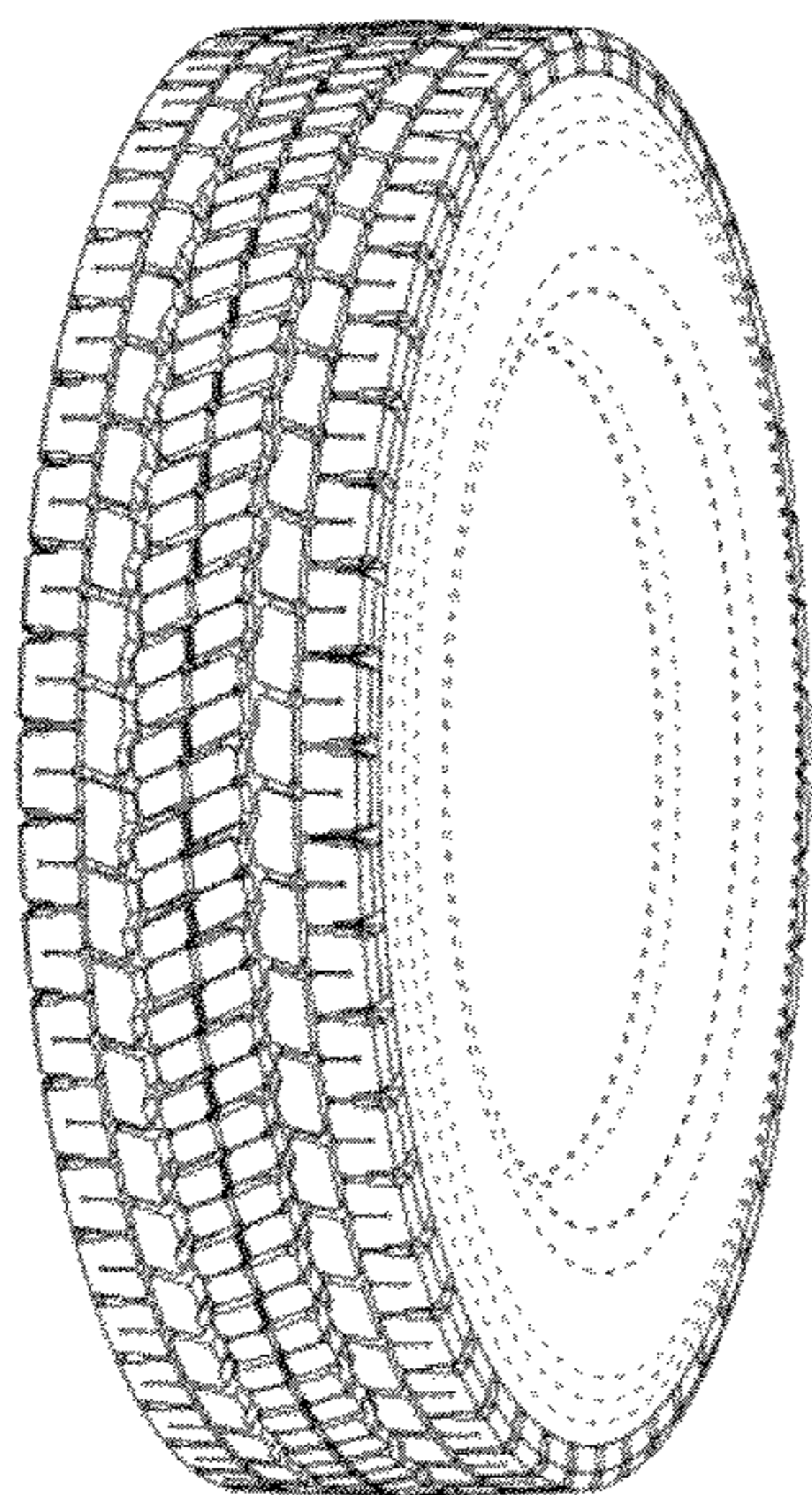
FIG. 7 is a left side view thereof;

FIG. 8 is an enlarged end view taken along line 8-8 in FIG. 2; and,

FIG. 9 is a cross-sectional view taken along line 9-9 in FIG. 6 and line 9'-9' in FIG. 8.

In the drawings, the broken lines defining the sidewall, inner bead, and the peripheral boundary between the claimed tire tread and the unclaimed sidewall depict environmental subject matter that forms no part of the claimed design.

1 Claim, 9 Drawing Sheets



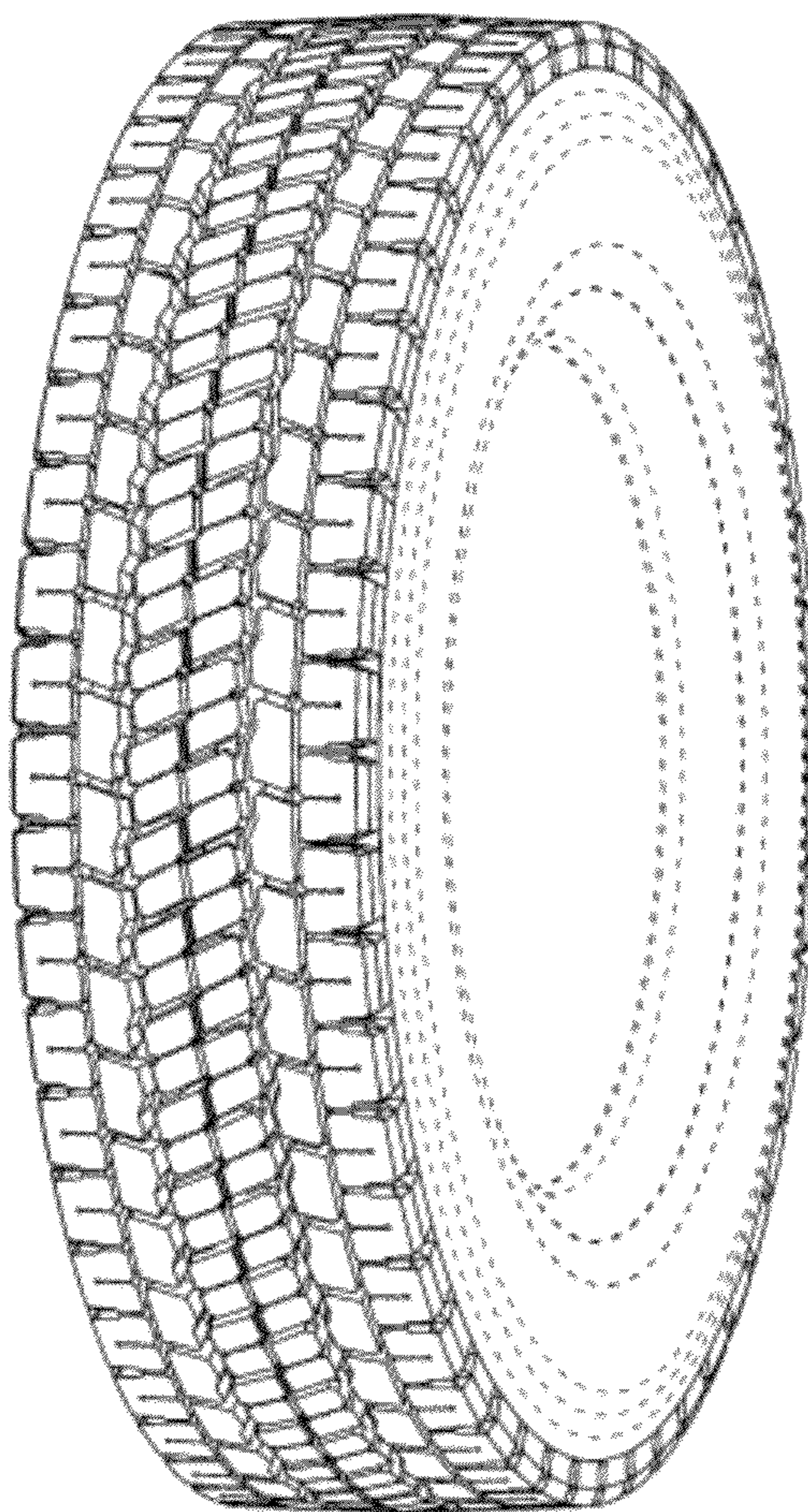


FIG. 1

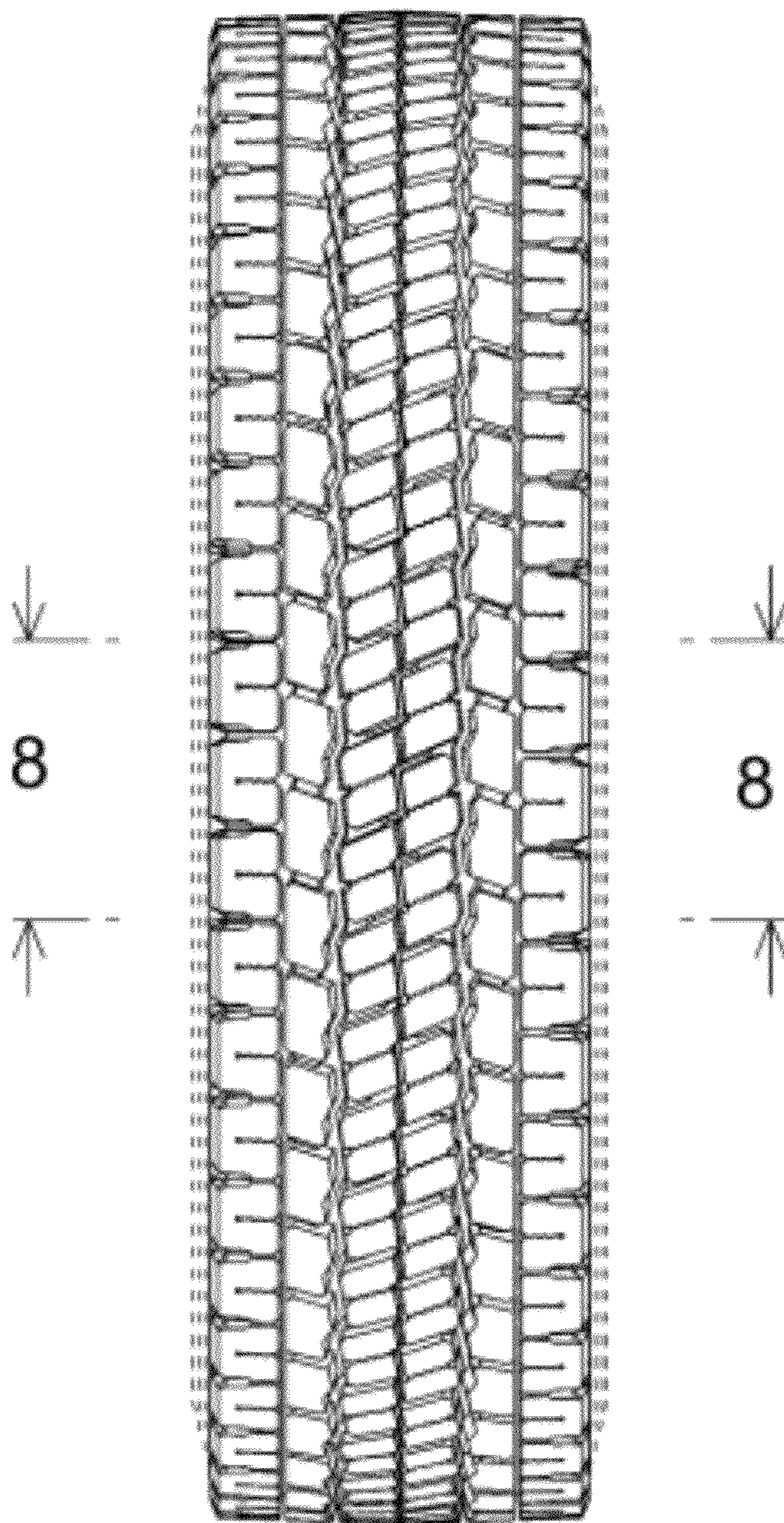


FIG. 2

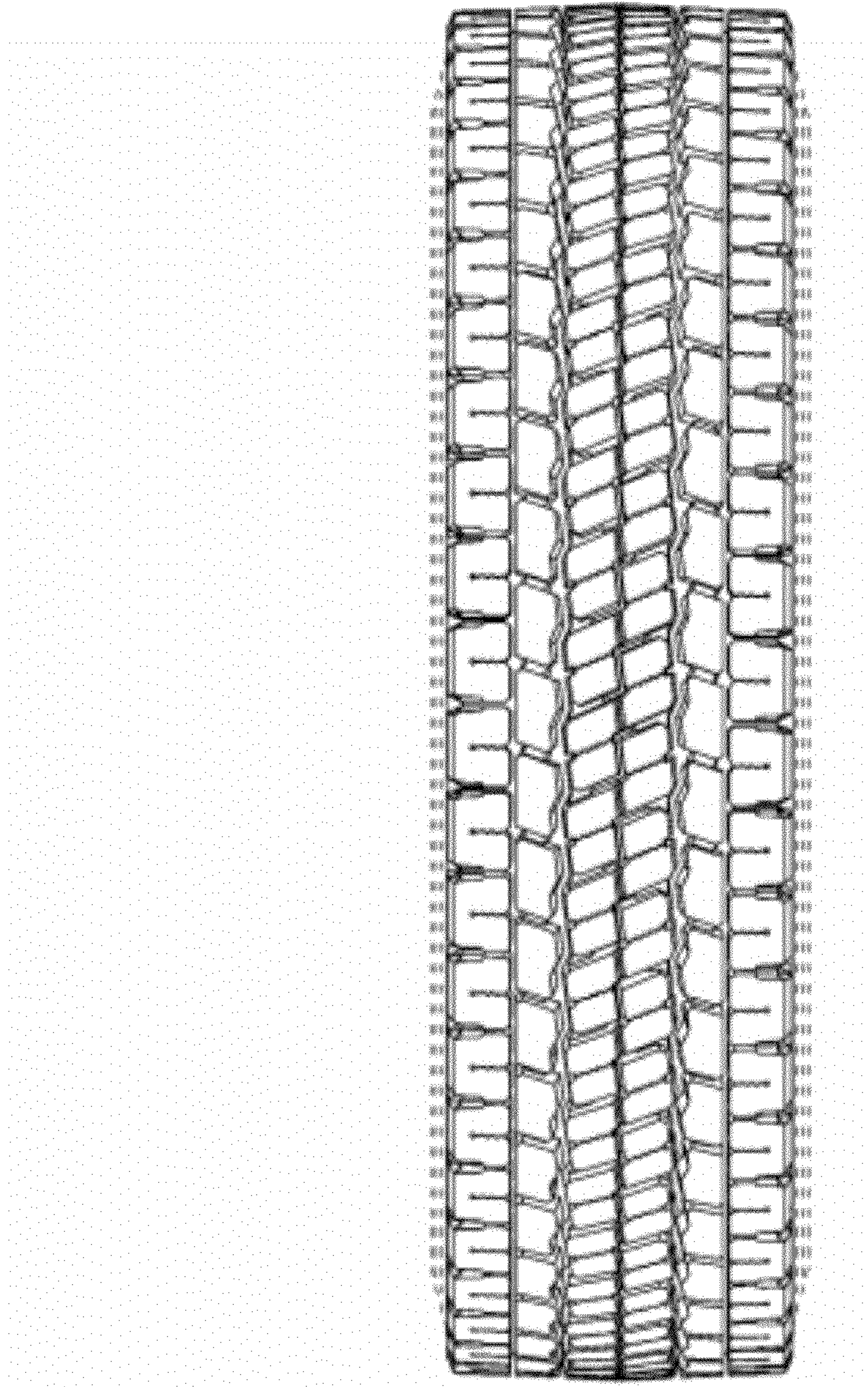


FIG. 3

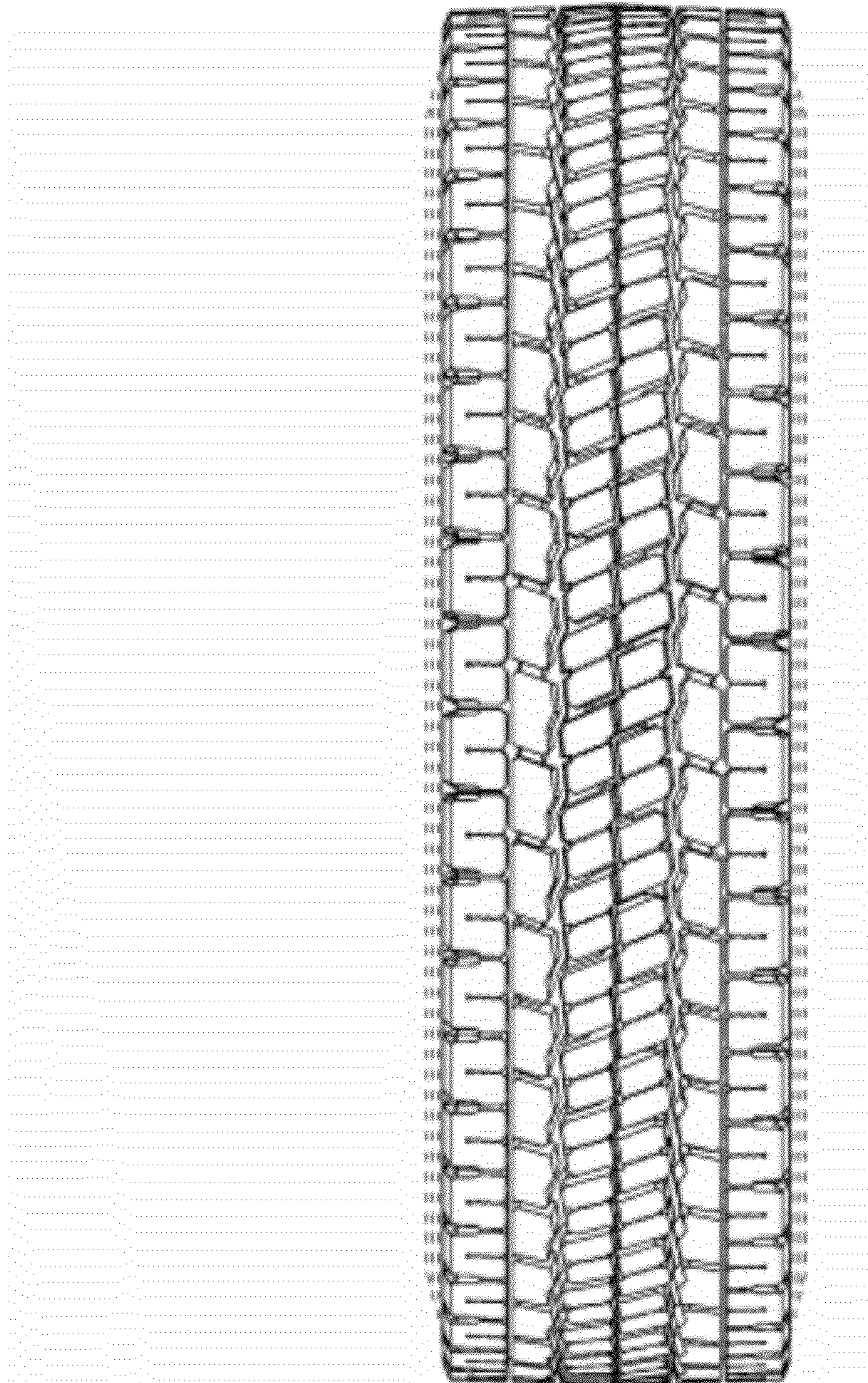


FIG. 4

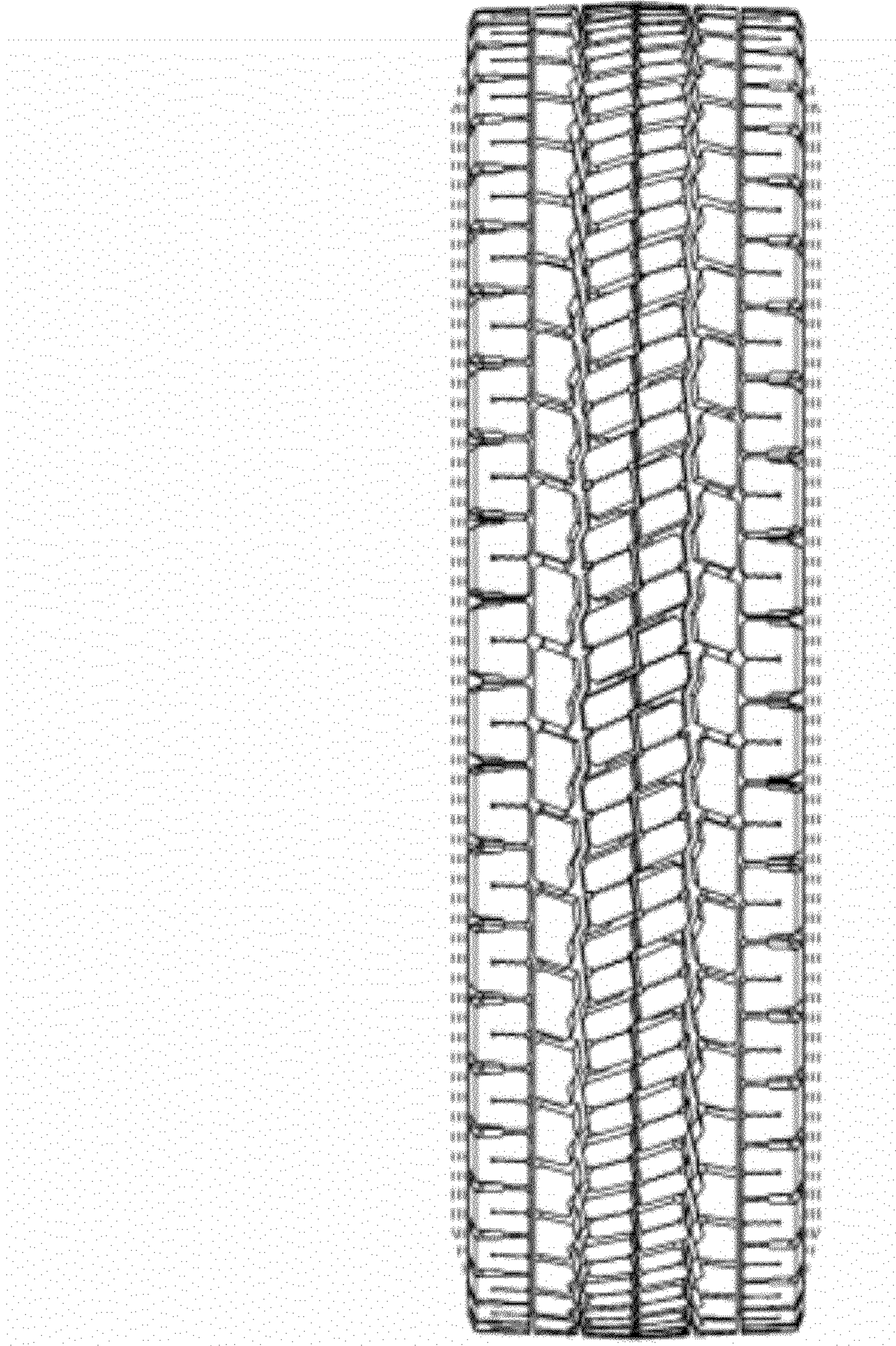


FIG. 5

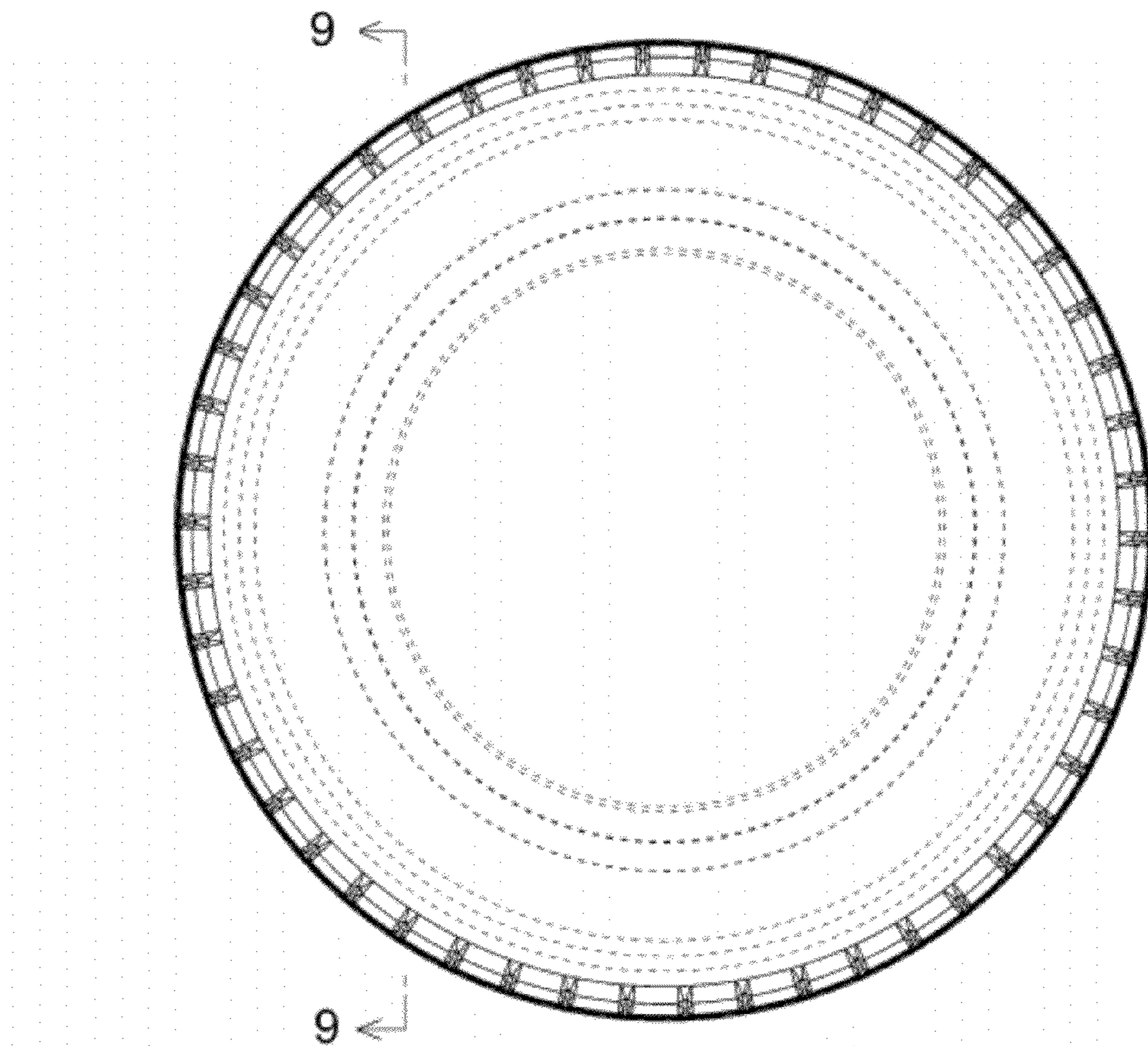


FIG. 6

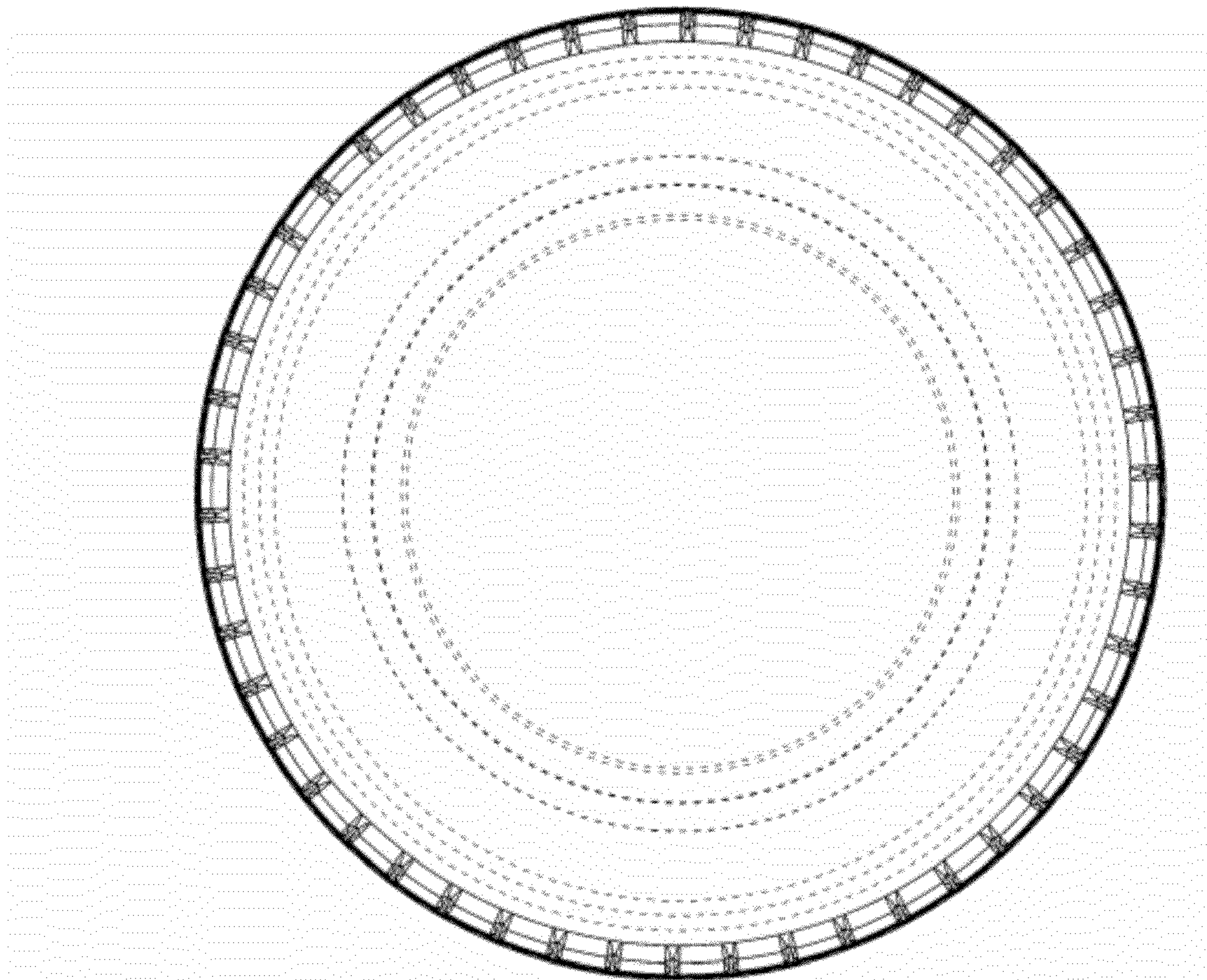


FIG. 7

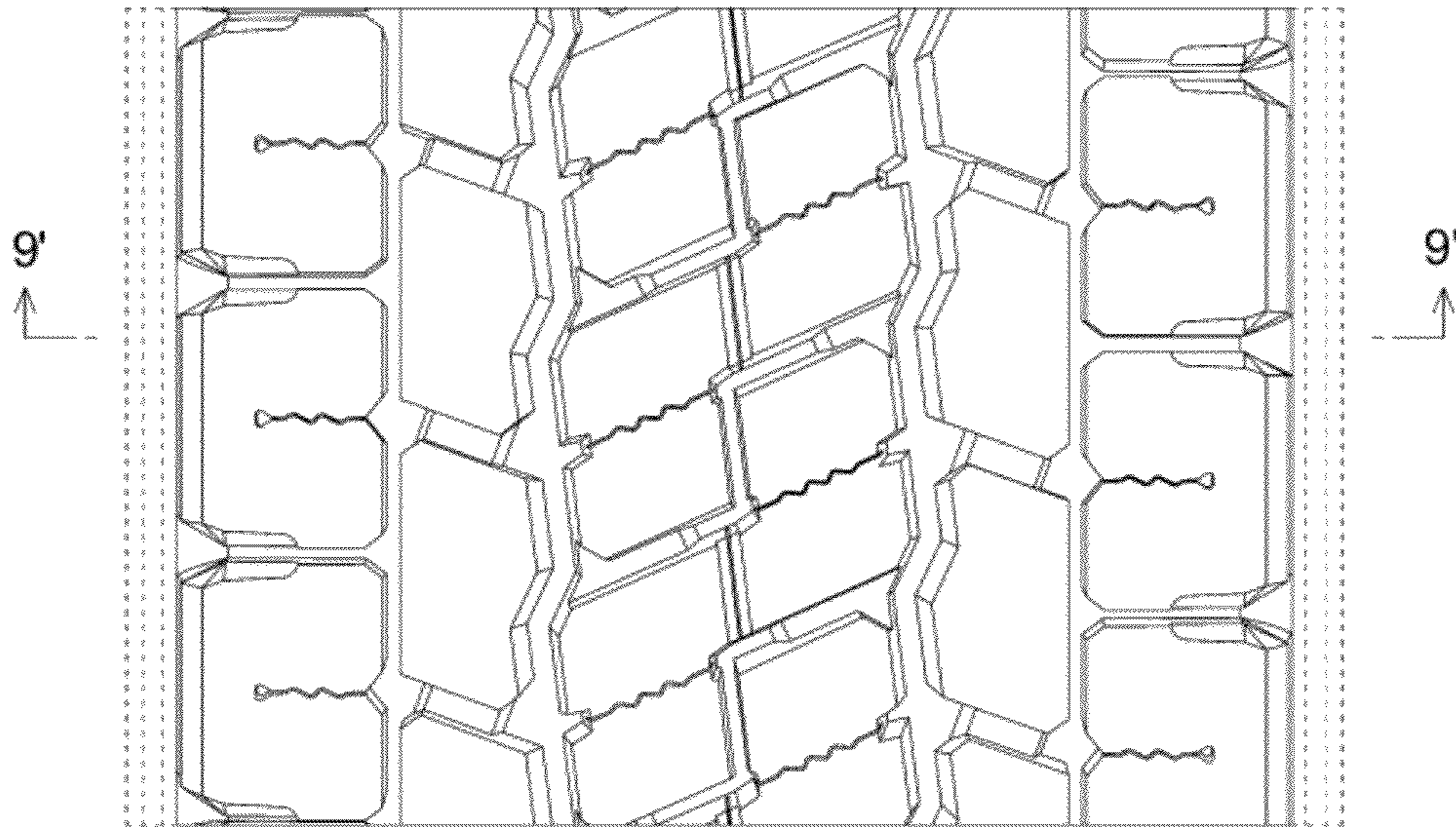


FIG. 8

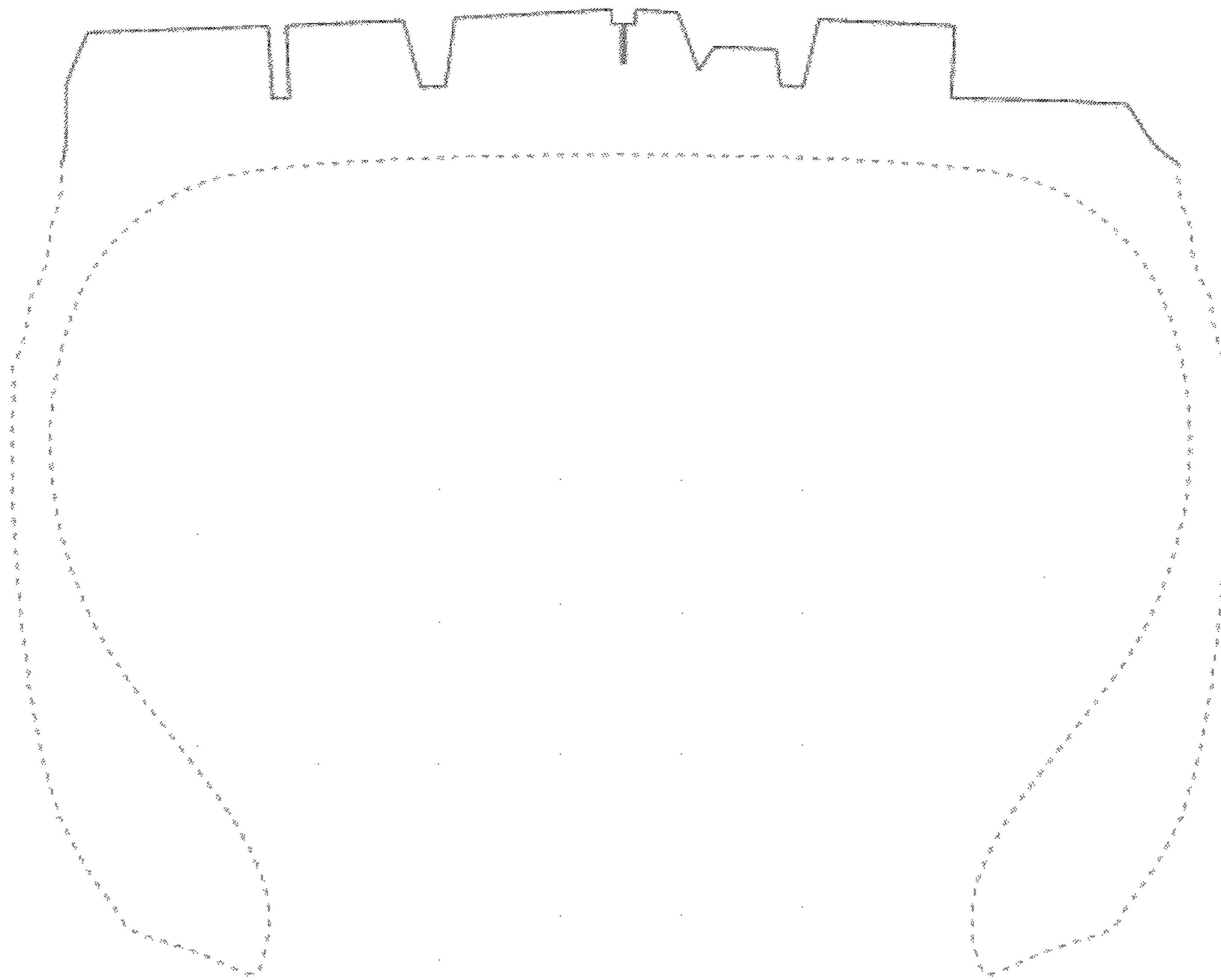


FIG. 9