

US00D669418S

(12) **United States Design Patent**
Takei

(10) **Patent No.:** **US D669,418 S**

(45) **Date of Patent:** **** Oct. 23, 2012**

(54) **TREAD PORTION OF AN AUTOMOBILE TIRE**

(75) Inventor: **Ataka Takei**, Tokyo (JP)

(73) Assignee: **Bridgestone Corporation**, Tokyo (JP)

(**) Term: **14 Years**

(21) Appl. No.: **29/394,673**

(22) Filed: **Jun. 20, 2011**

(30) **Foreign Application Priority Data**

Dec. 21, 2010 (JP) 2010-030550

(51) **LOC (9) Cl.** **12-15**

(52) **U.S. Cl.** **D12/567**

(58) **Field of Classification Search** D12/533-567,
D12/602-603, 900-901; 152/209.1-209.9,
152/209.11-209.19, 209.21-209.28, 455
See application file for complete search history.

(56) **References Cited**

U.S. PATENT DOCUMENTS

D349,477 S *	8/1994	Shinohara et al.	D12/566
D355,153 S *	2/1995	Consolacion et al.	D12/567
D429,194 S *	8/2000	Heinen et al.	D12/566
D432,058 S *	10/2000	Ratliff, Jr.	D12/567
D459,294 S *	6/2002	Whetzel et al.	D12/567
D489,675 S *	5/2004	Ochi	D12/567

D505,112 S *	5/2005	Heinen et al.	D12/567
D562,222 S *	2/2008	Fujita	D12/567
D562,223 S *	2/2008	Himuro	D12/567
D583,754 S *	12/2008	Le et al.	D12/567
D584,220 S *	1/2009	Fujita	D12/567
D609,628 S *	2/2010	Krupa et al.	D12/566
D634,700 S *	3/2011	Ebel et al.	D12/567

* cited by examiner

Primary Examiner — Stacia Cadmus

(74) *Attorney, Agent, or Firm* — Sughrue Mion, PLLC

(57) **CLAIM**

The ornamental design for a tread portion of an automobile tire, as shown and described.

DESCRIPTION

FIG. 1 is a perspective view of a tread portion of an automobile tire;
FIG. 2 is a front view thereof;
FIG. 3 is a rear view thereof;
FIG. 4 is a plane view thereof;
FIG. 5 is a left side view thereof;
FIG. 6 is a right side view thereof;
FIG. 7 is a fragmentary enlarged view showing the details of the tread portion; and,
FIG. 8 is an end view taken along line 8-8 in FIG. 7.
The broken line portions of the figure drawings are for illustrative purposes only and form no part of the claimed design.

1 Claim, 8 Drawing Sheets

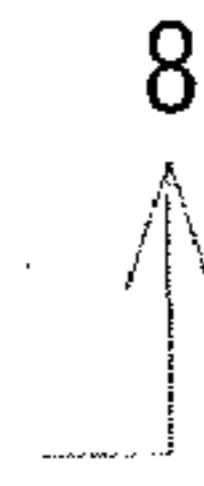
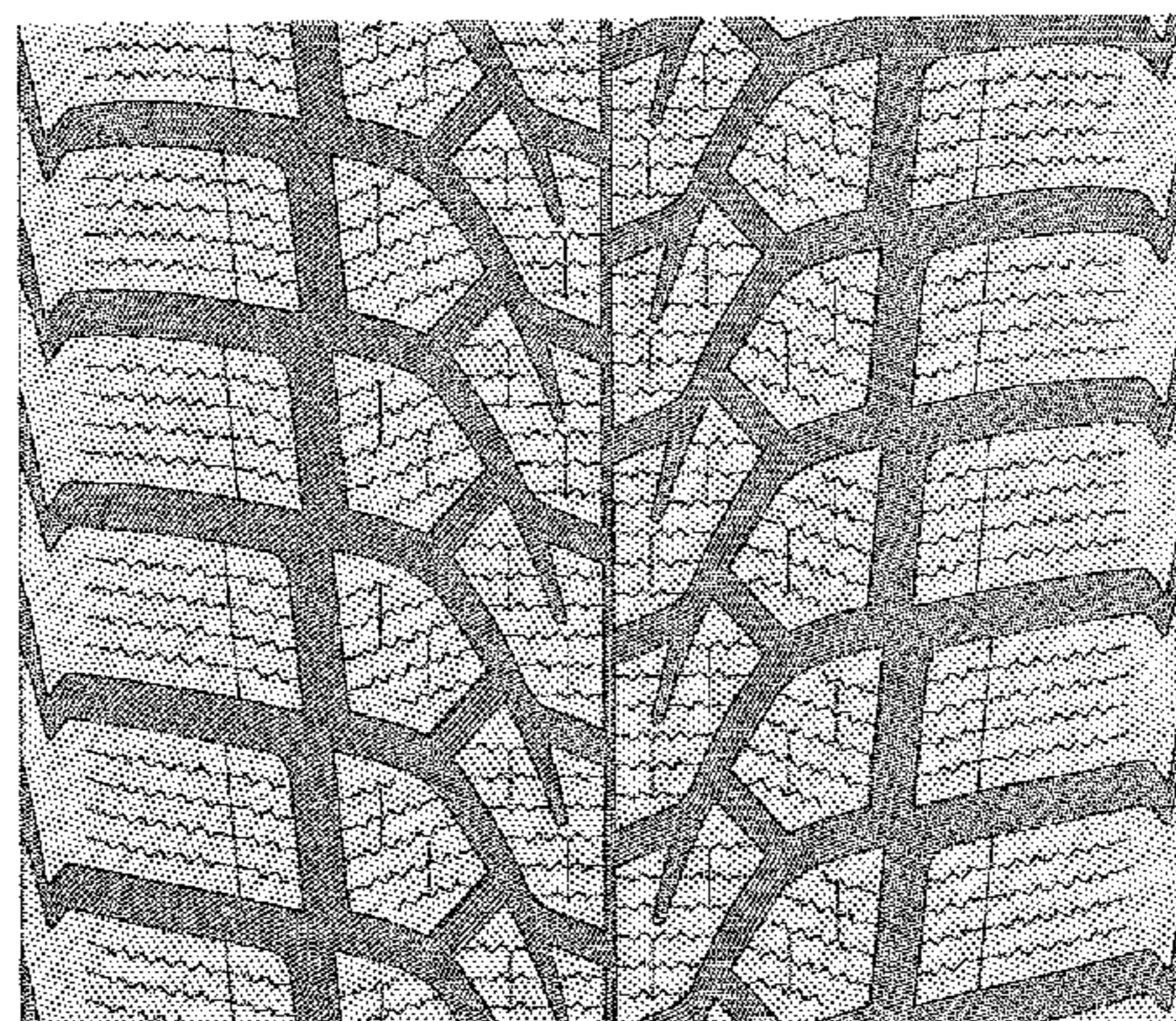
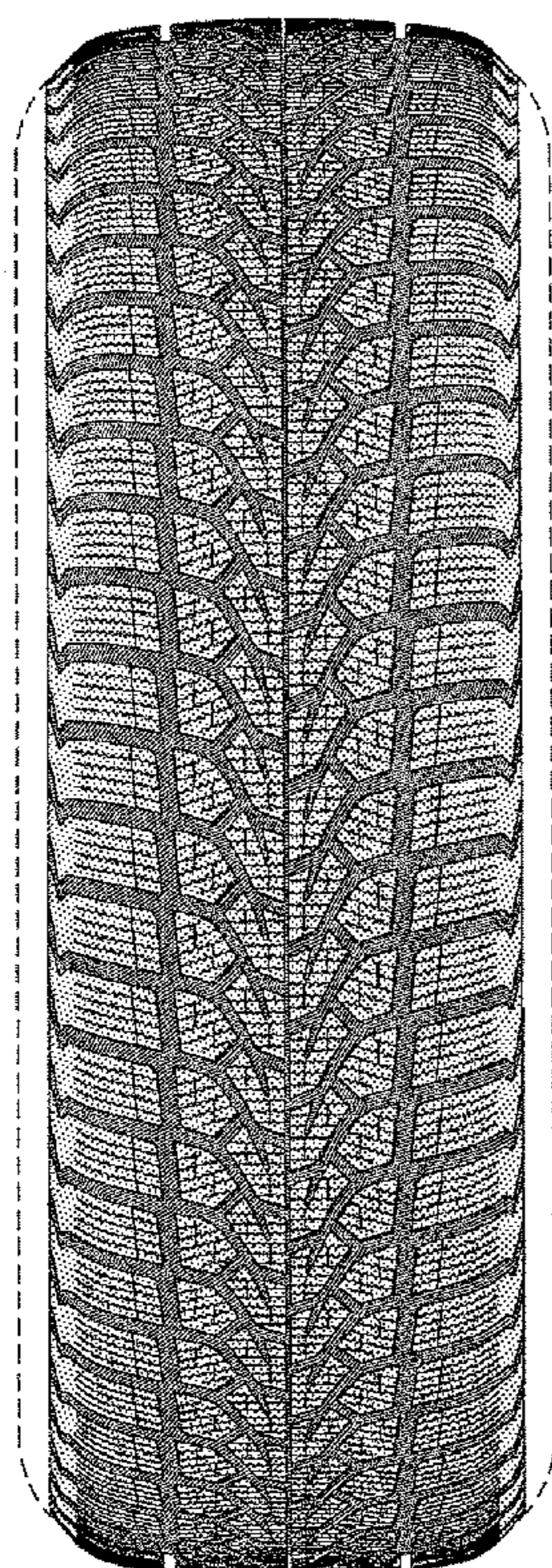


FIG. 1

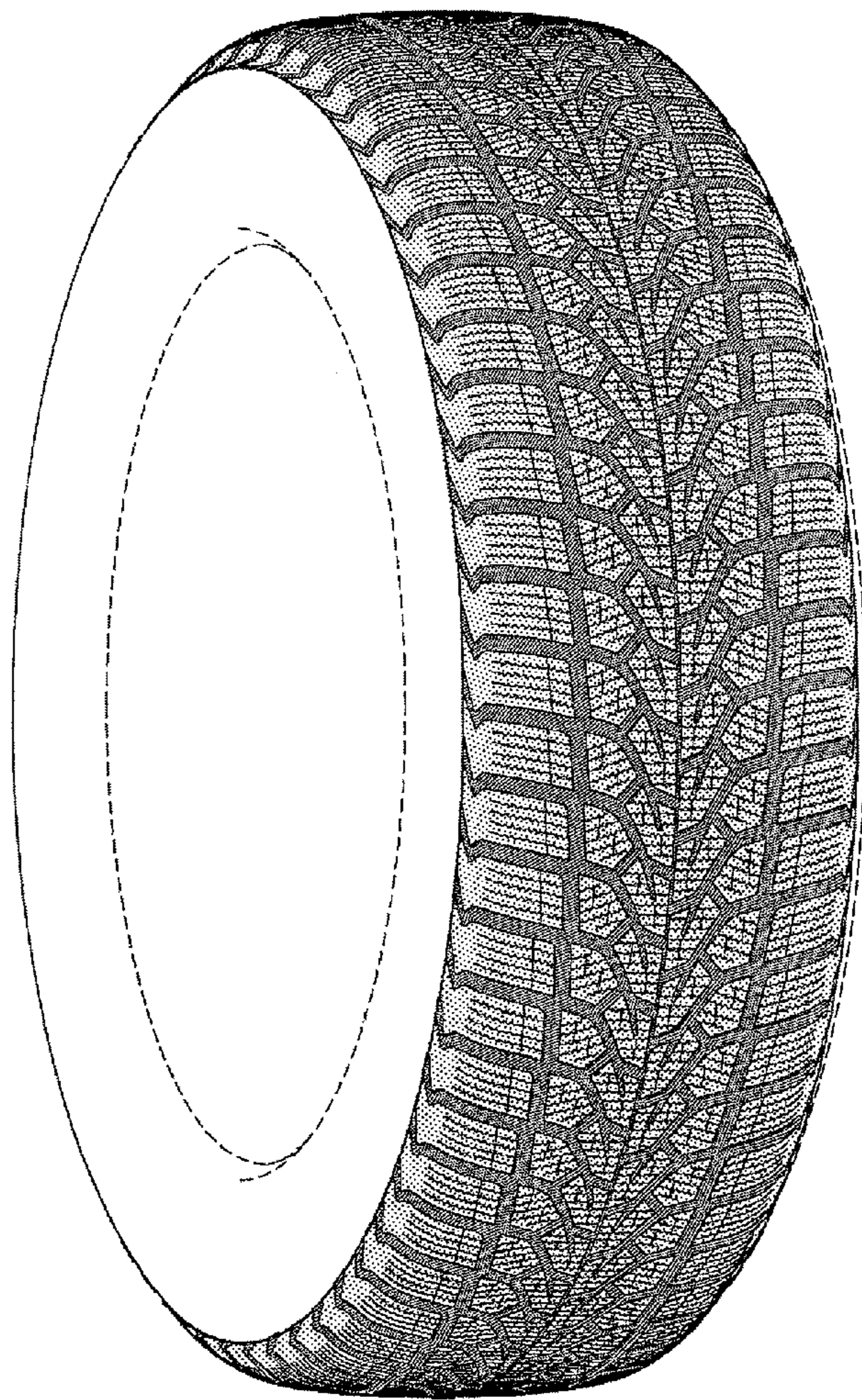


FIG. 2

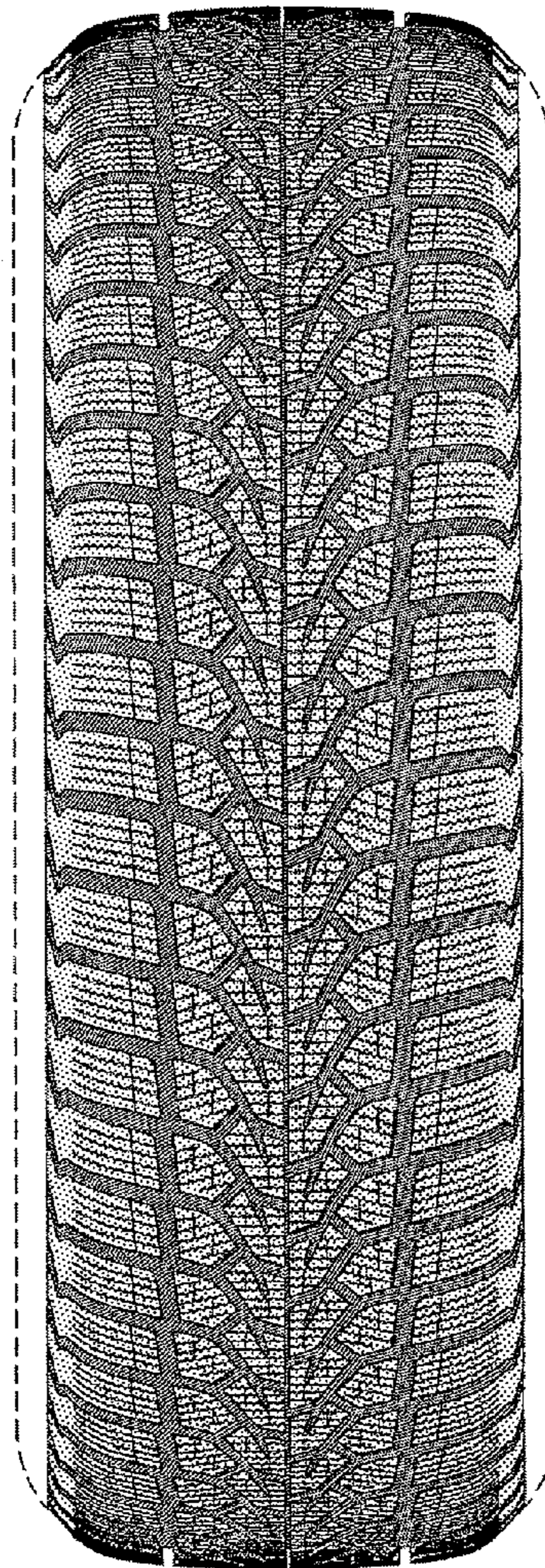


FIG. 3

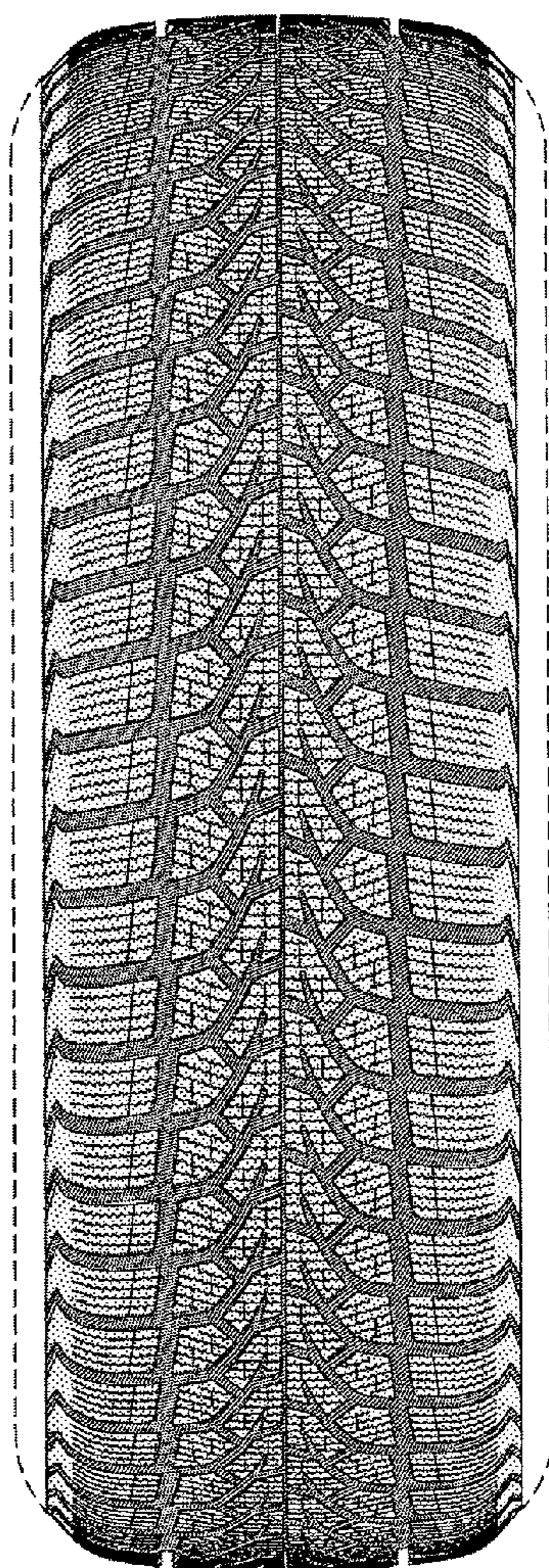


FIG. 4

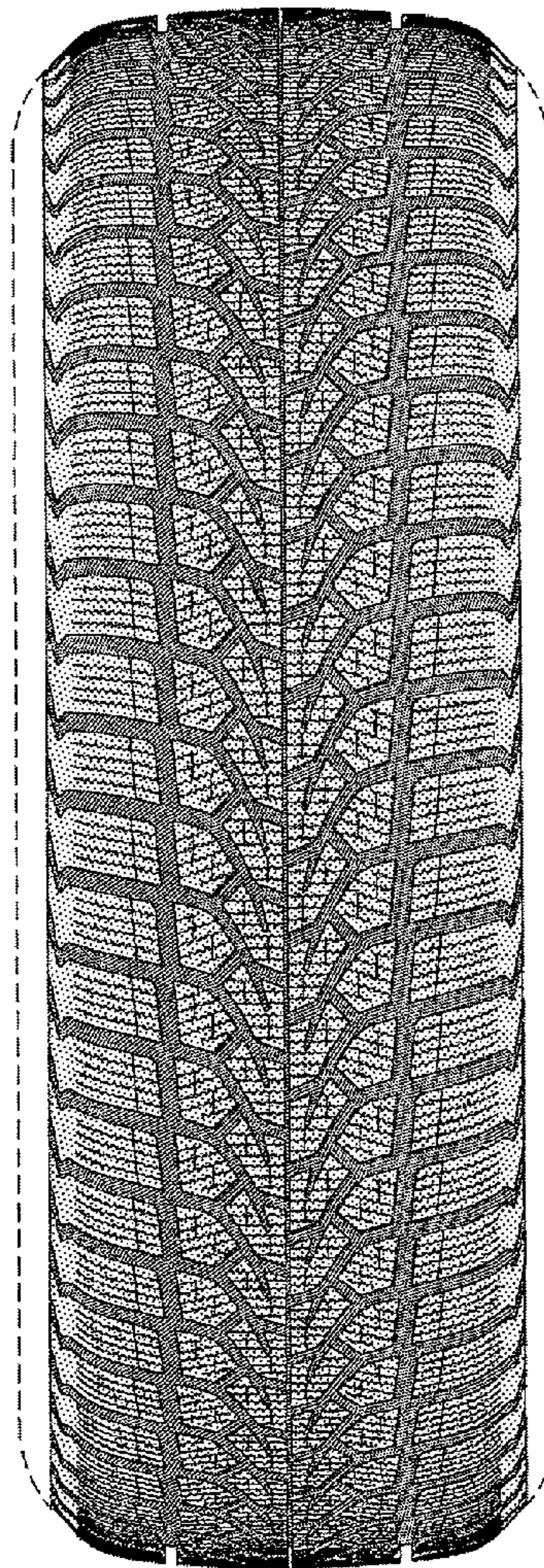


FIG. 5

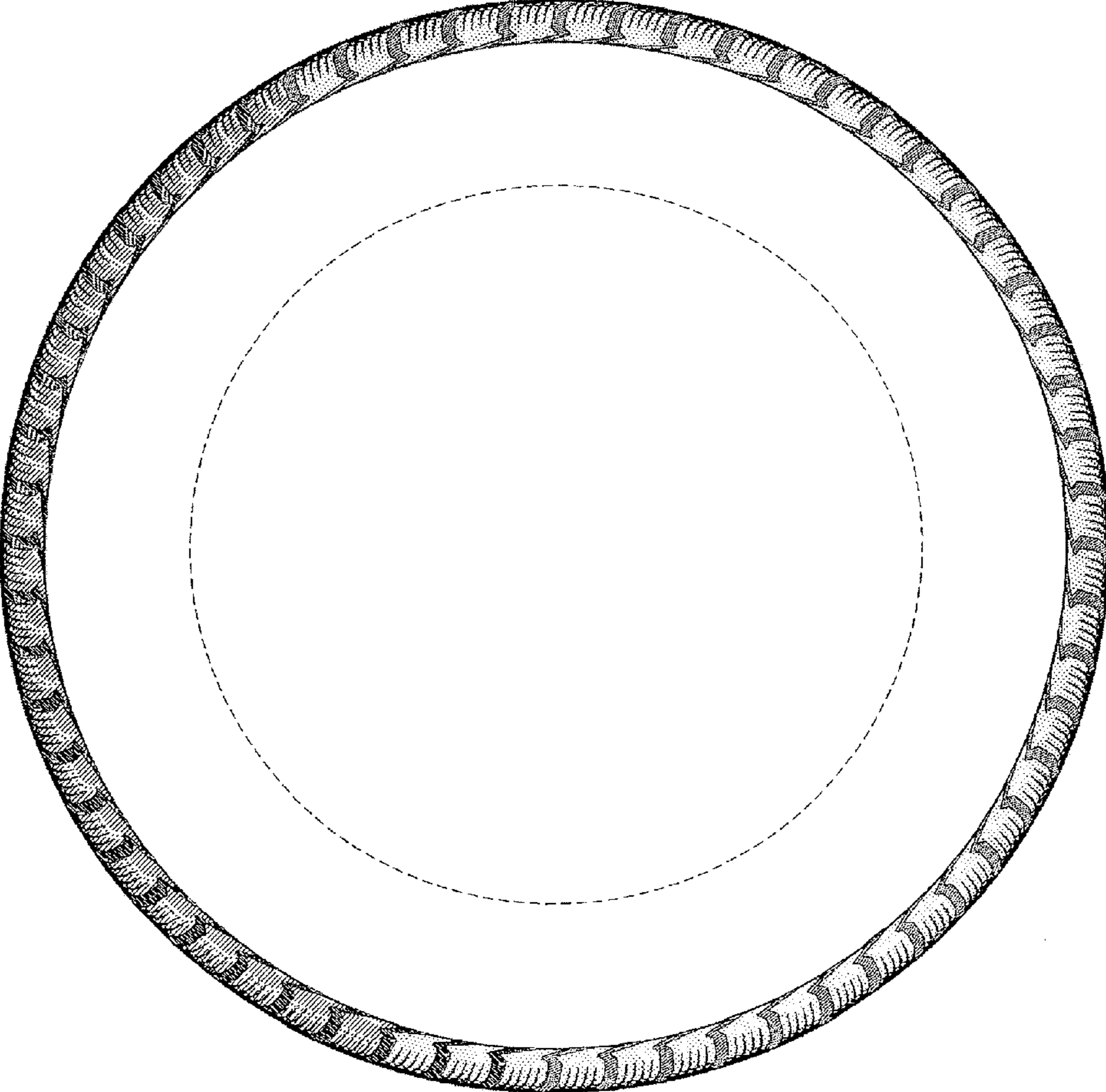


FIG. 6

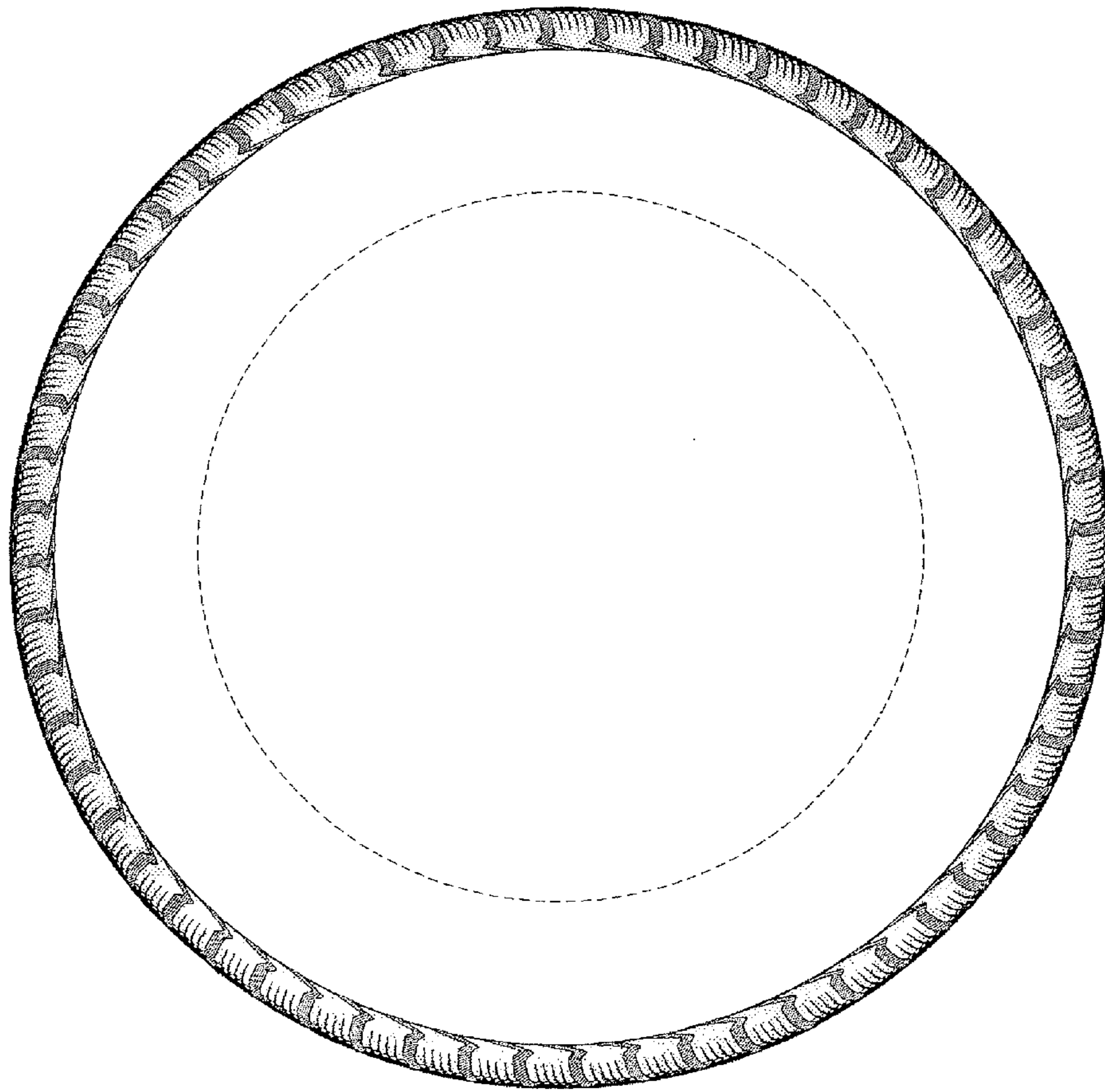


FIG. 7

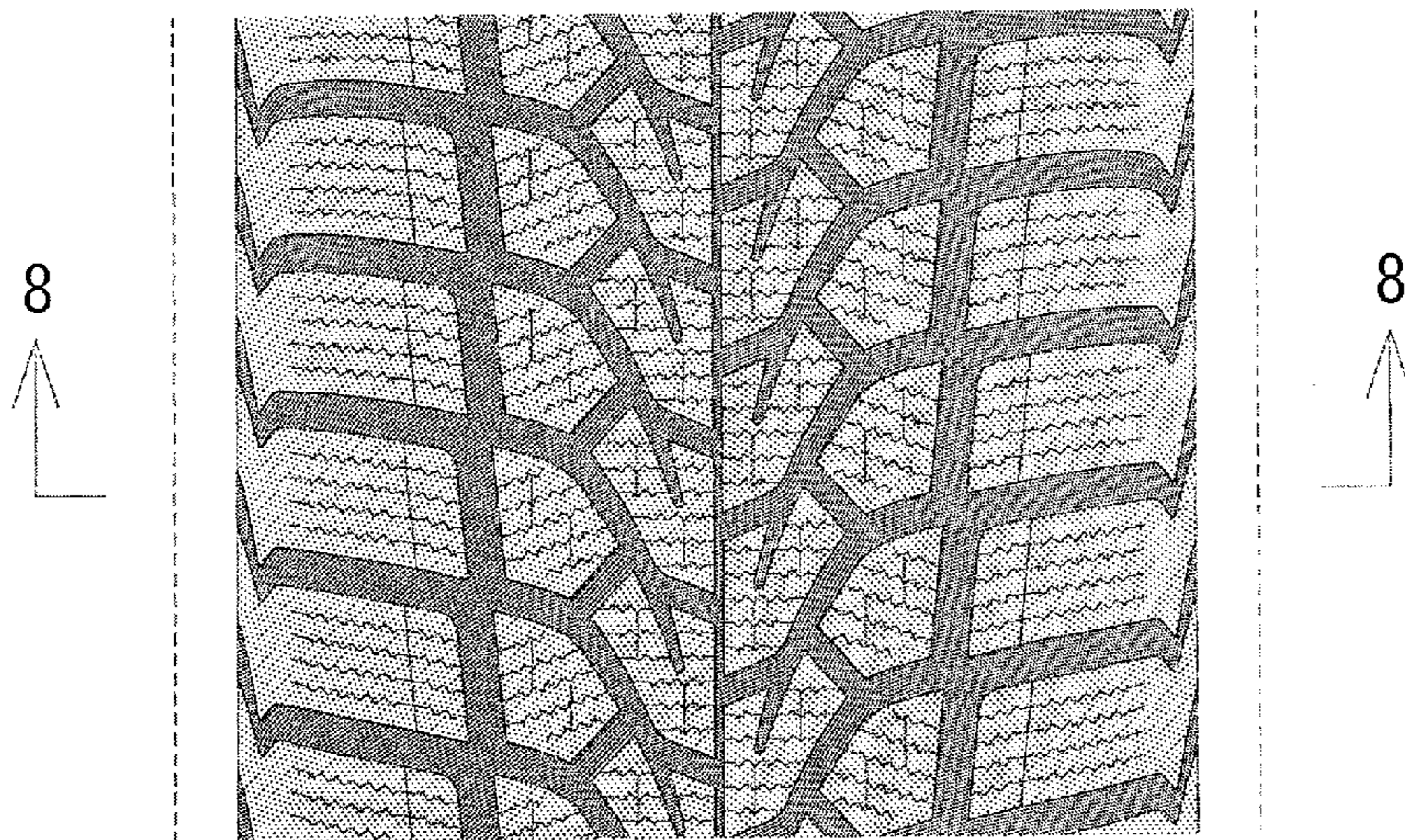


FIG. 8

