



US00D669417S

(12) **United States Design Patent**
Takei

(10) **Patent No.:** **US D669,417 S**

(45) **Date of Patent:** **** Oct. 23, 2012**

(54) **TREAD PORTION OF AN AUTOMOBILE TIRE**

(75) Inventor: **Ataka Takei**, Tokyo (JP)

(73) Assignee: **Bridgestone Corporation**, Tokyo (JP)

(**) Term: **14 Years**

(21) Appl. No.: **29/394,671**

(22) Filed: **Jun. 20, 2011**

(30) **Foreign Application Priority Data**

Dec. 21, 2010 (JP) 2010-030553

(51) **LOC (9) Cl.** **12-15**

(52) **U.S. Cl.** **D12/564**

(58) **Field of Classification Search** D12/533-567,
D12/599-603, 900-901; 152/209.1-209.9,
152/209.11-209.19, 209.21-209.28, 455
See application file for complete search history.

(56) **References Cited**

U.S. PATENT DOCUMENTS

D354,029 S *	1/1995	Voigt et al.	D12/564
D467,223 S *	12/2002	Baker et al.	D12/564
D512,682 S *	12/2005	Krenz et al.	D12/564
D551,613 S *	9/2007	Lo	D12/564
D575,726 S *	8/2008	Fontaine et al.	D12/564

D589,874 S *	4/2009	Fontaine et al.	D12/564
D592,588 S *	5/2009	Heinen et al.	D12/564
D606,007 S *	12/2009	Fontaine et al.	D12/564
D635,912 S *	4/2011	Knispel	D12/564
D638,350 S *	5/2011	Knispel	D12/564
D638,779 S *	5/2011	Salvan et al.	D12/564

* cited by examiner

Primary Examiner — Stacia Cadmus

(74) *Attorney, Agent, or Firm* — Sughrue Mion, PLLC

(57) **CLAIM**

The ornamental design for a tread portion of an automobile tire, as shown and described.

DESCRIPTION

FIG. 1 is a perspective view of a tread portion of an automobile tire;

FIG. 2 is a front view thereof;

FIG. 3 is a rear view thereof;

FIG. 4 is a plane view thereof;

FIG. 5 is a left side view thereof;

FIG. 6 is a right side view thereof;

FIG. 7 is a fragmentary enlarged view showing the details of the tread portion; and,

FIG. 8 is an end view taken along line 8-8 in FIG. 7.

The broken line portions of the figure drawings are for illustrative purposes only and form no part of the claimed design.

1 Claim, 8 Drawing Sheets

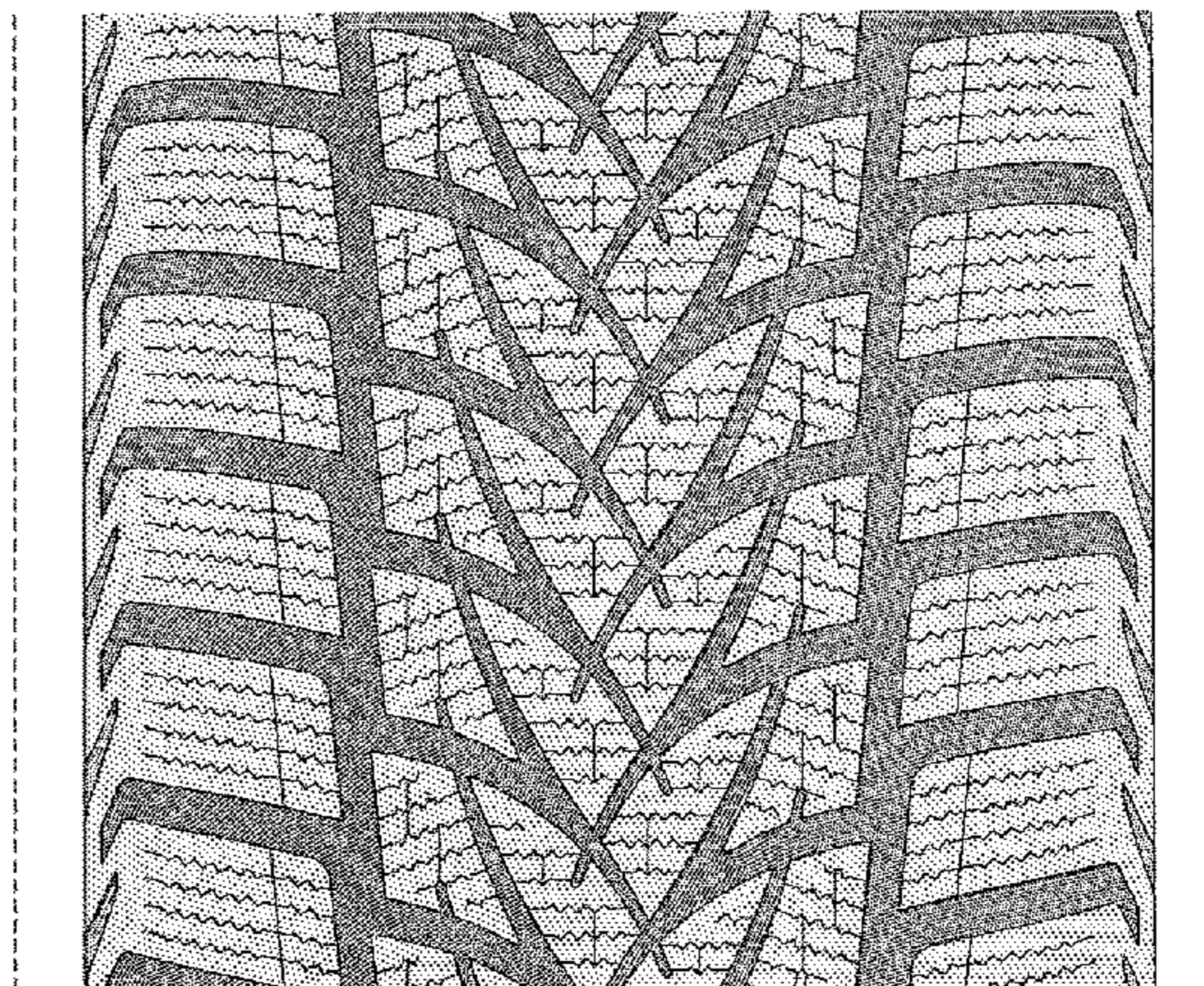
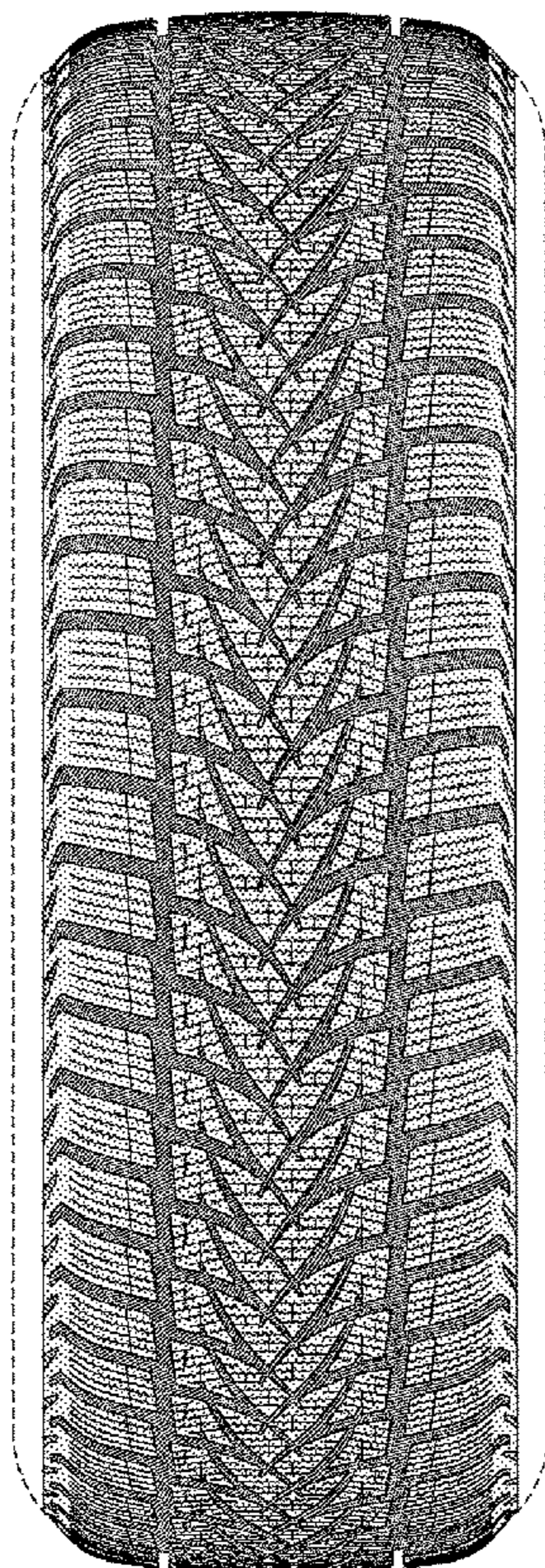


FIG. 1

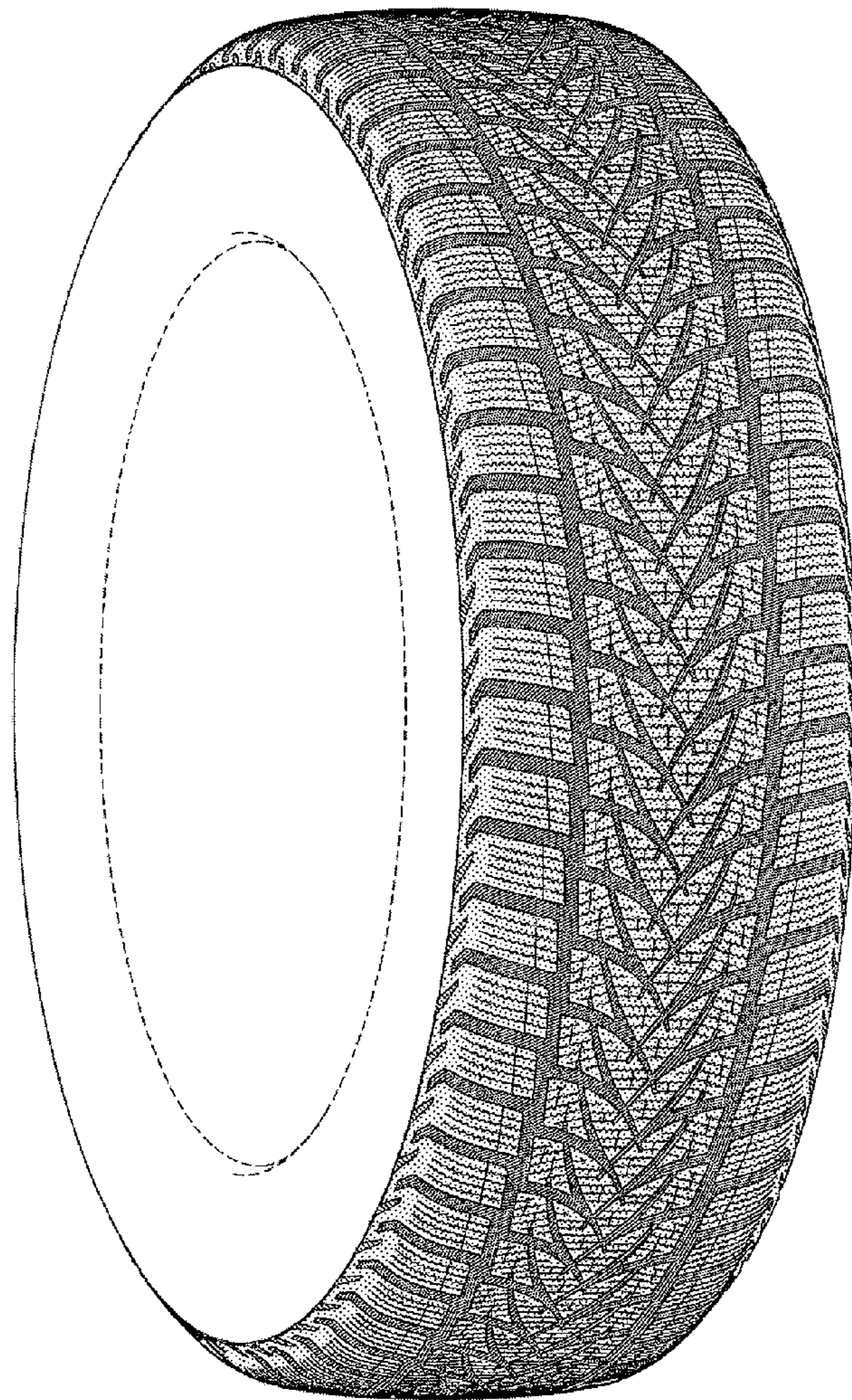


FIG. 2

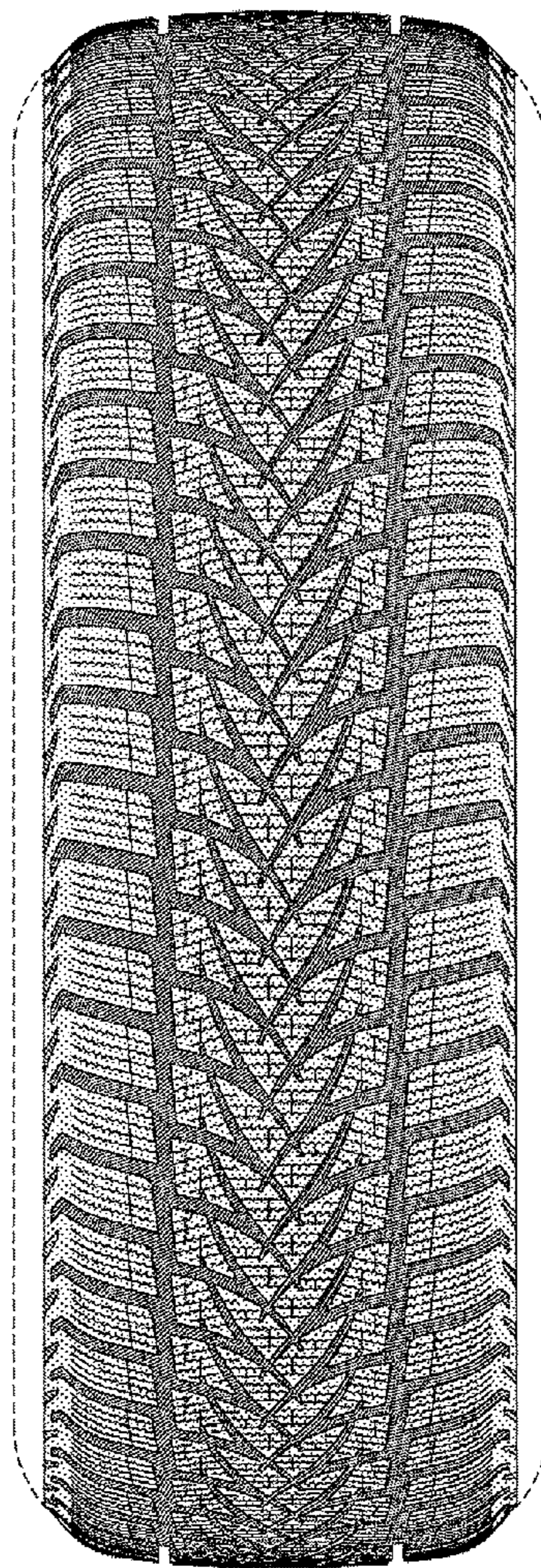


FIG. 3

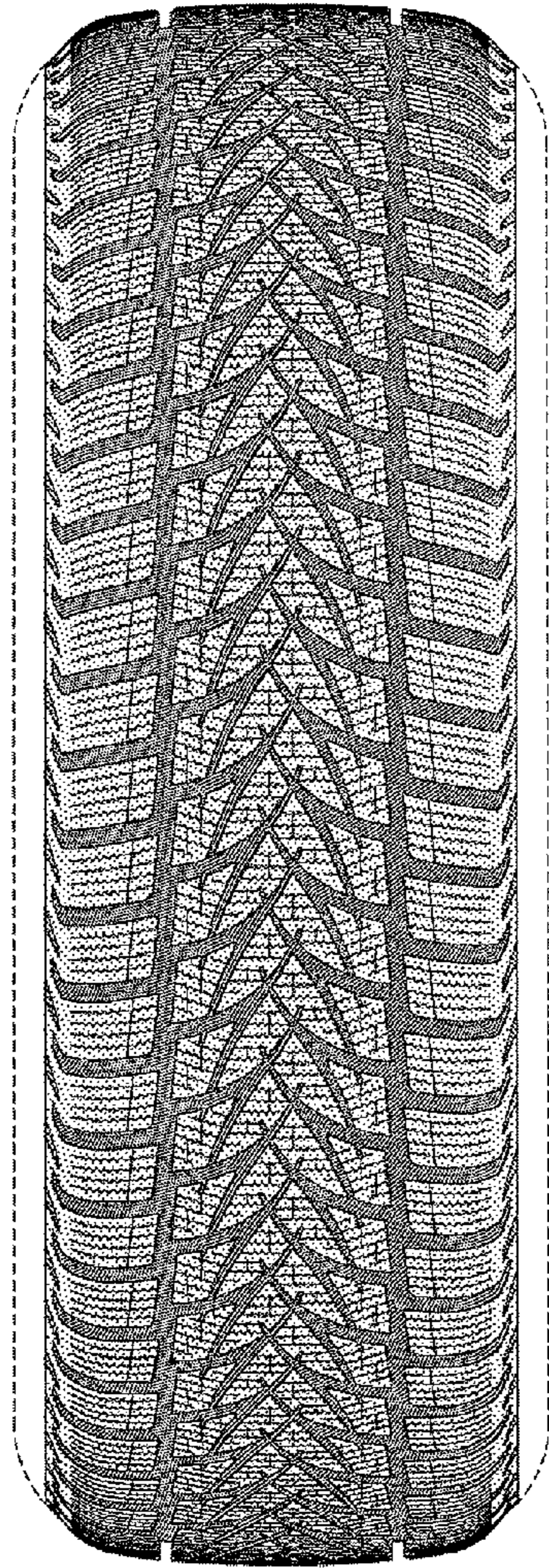


FIG. 4

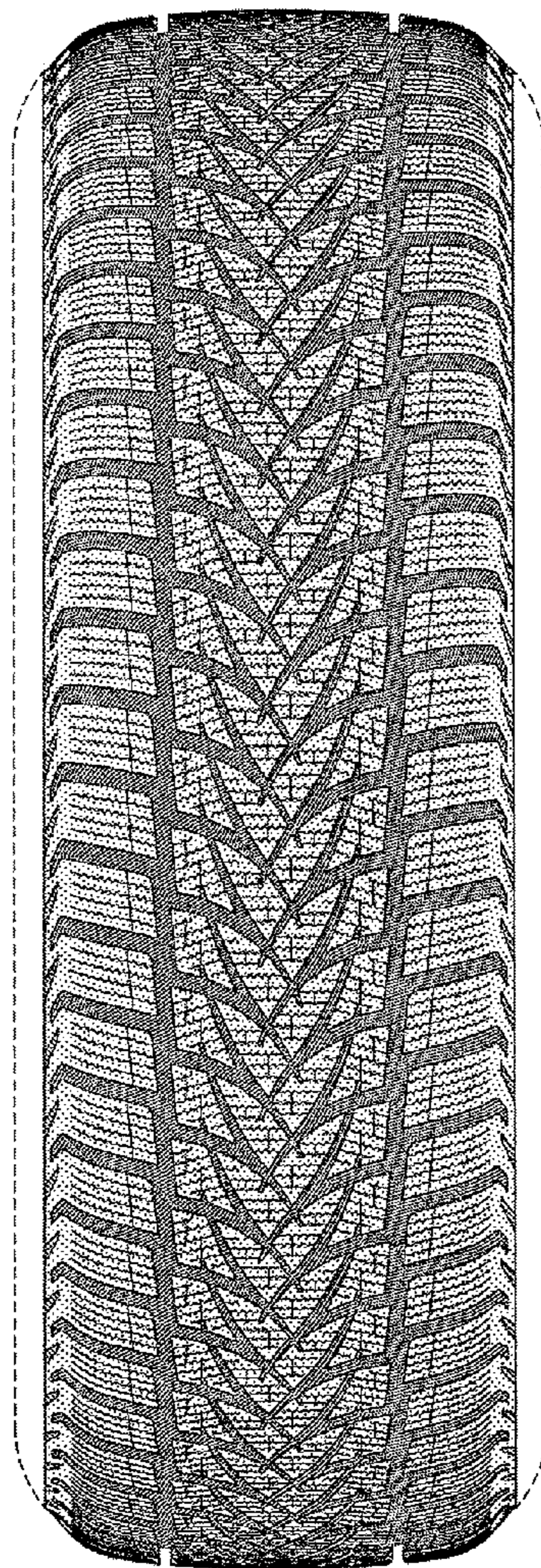


FIG. 5

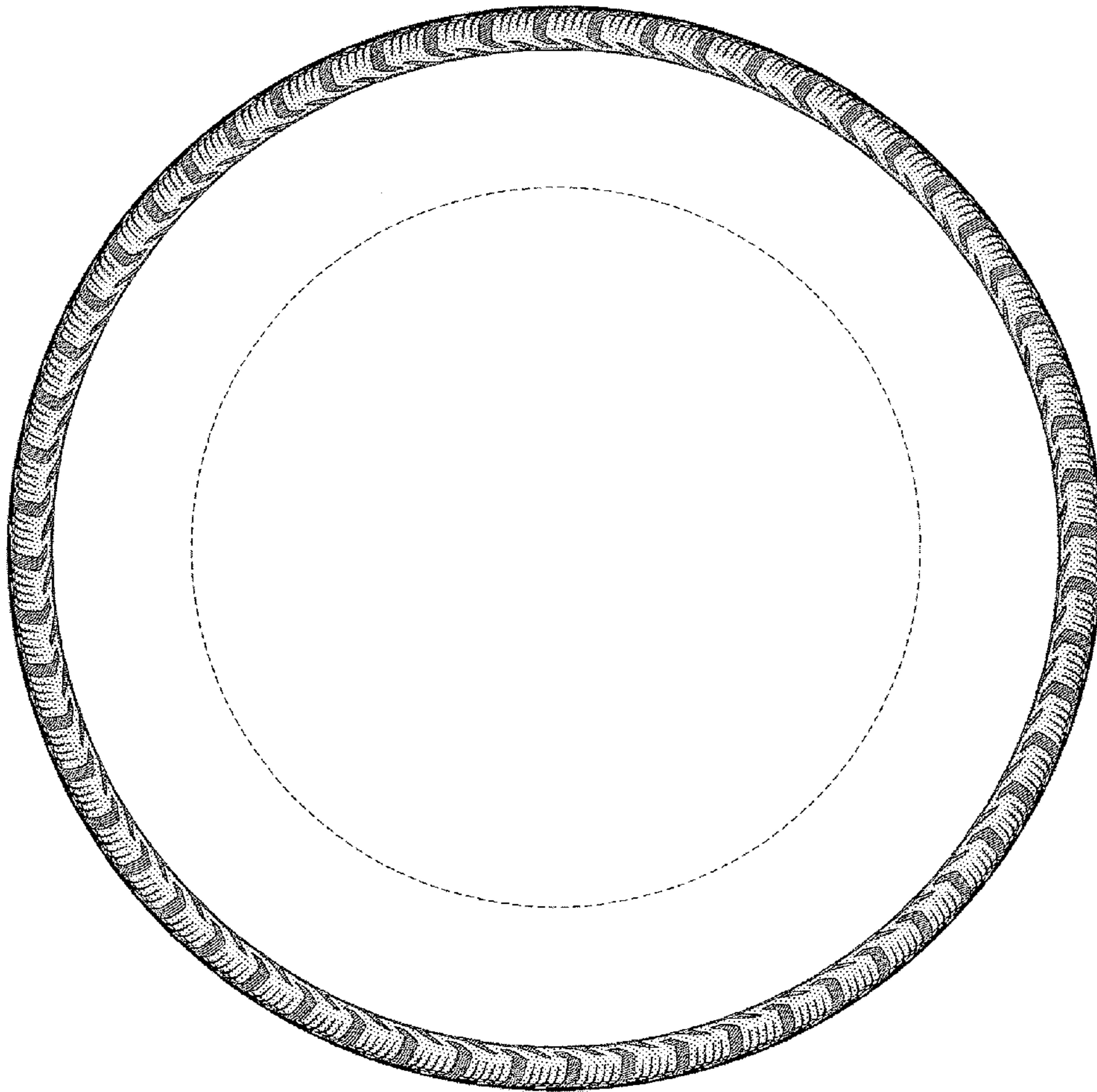


FIG. 6

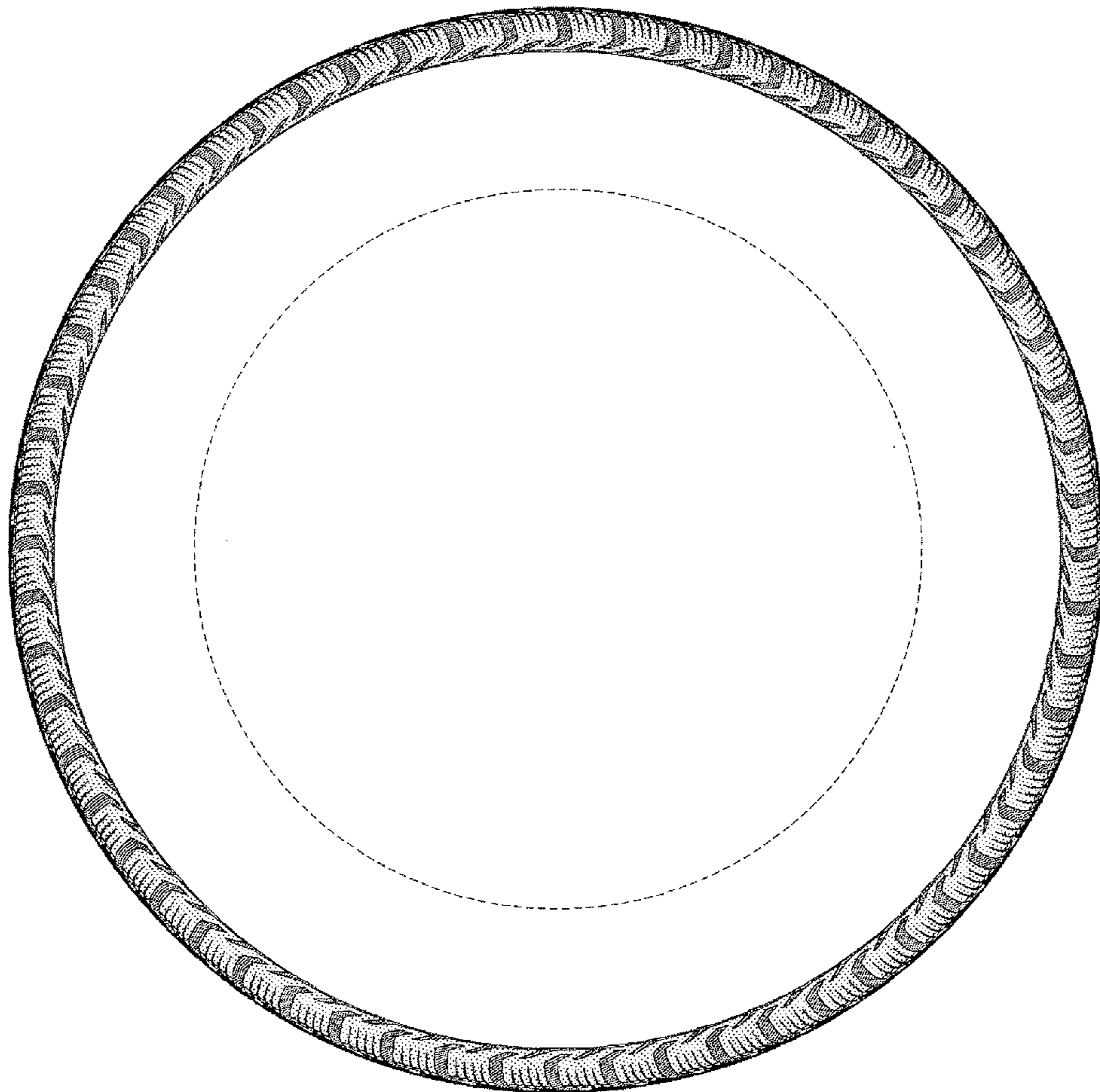


FIG. 7

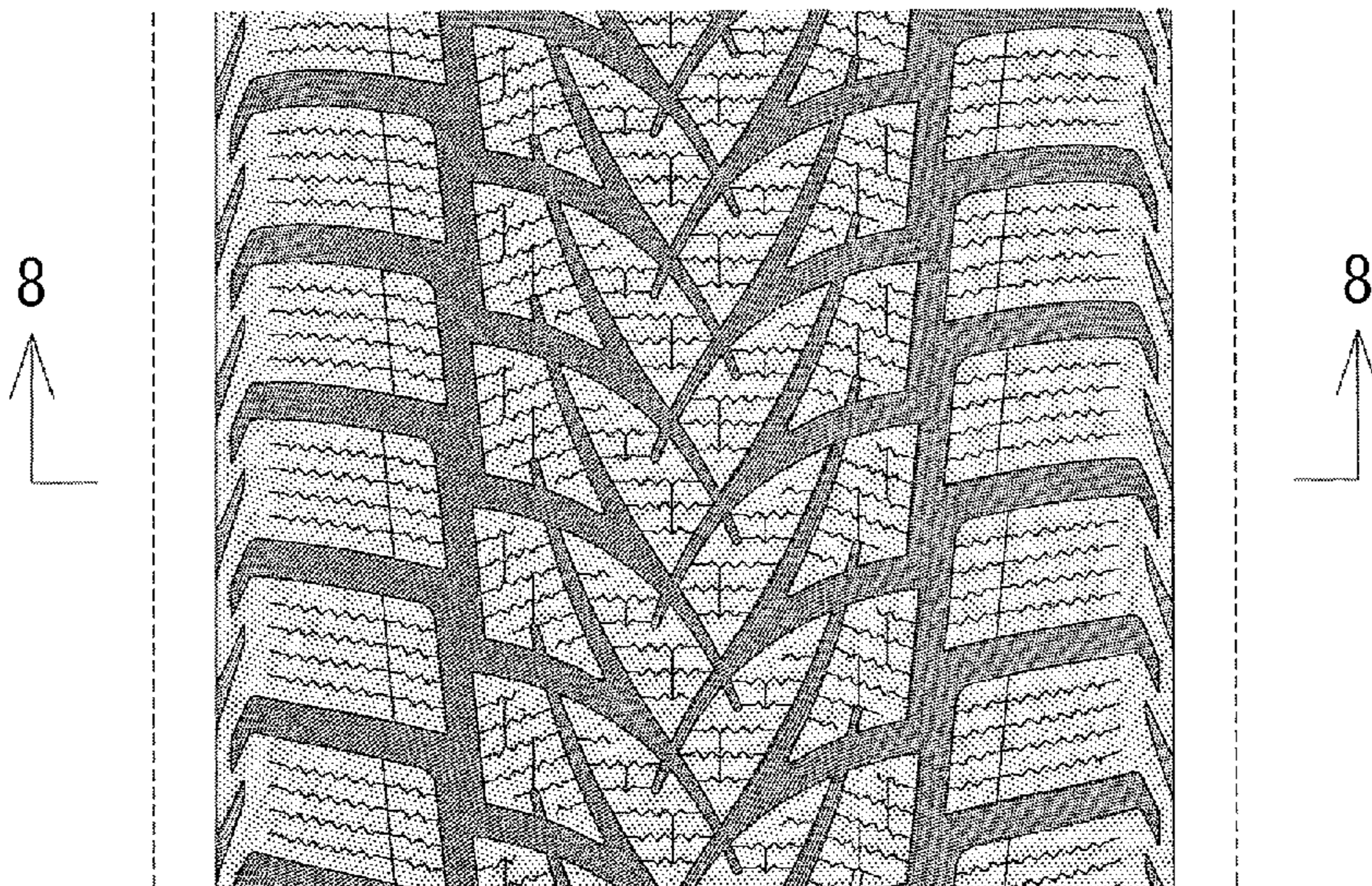


FIG. 8

