



US00D669415S

(12) **United States Design Patent**
Murray et al.

(10) **Patent No.:** **US D669,415 S**

(45) **Date of Patent:** **** Oct. 23, 2012**

(54) **STOWABLE BIKE RACK**

(76) Inventors: **Alan Dean Murray**, Smith River, CA (US); **Chris Ralph Bryant**, Medford, OR (US)

(**) Term: **14 Years**

(21) Appl. No.: **29/412,763**

(22) Filed: **Feb. 7, 2012**

(51) **LOC (9) Cl.** **12-11**

(52) **U.S. Cl.** **D12/408**

(58) **Field of Classification Search** D12/408, D12/412; 224/324, 421, 495, 503, 507, 545, 224/416, 430, 432, 488, 489, 496, 497, 314, 224/309, 556, 400, 412, 500, 42.12, 42.13, 224/522-537, 511-517; 280/202, 288.4, 280/304.5

See application file for complete search history.

(56) **References Cited**

U.S. PATENT DOCUMENTS

D303,102 S *	8/1989	Peterman et al.	D12/408
D308,846 S *	6/1990	Eckhart	D12/408
5,067,641 A *	11/1991	Johnson et al.	224/501
D328,585 S *	8/1992	La Casse	D12/408
5,423,566 A *	6/1995	Warrington et al.	280/415.1
D378,289 S *	3/1997	Lundgren	D12/412
5,645,202 A *	7/1997	Kaloustian	224/314
6,199,735 B1 *	3/2001	Cothorn et al.	224/509
6,237,824 B1 *	5/2001	Bagley	224/521
6,752,302 B2 *	6/2004	Anton	224/517

D632,634 S *	2/2011	Clausen et al.	D12/406
8,109,422 B2 *	2/2012	Murray	224/314
D656,455 S *	3/2012	Sautter et al.	D12/408

* cited by examiner

Primary Examiner — Susan M Lee

Assistant Examiner — Linda G. Brooks

(74) *Attorney, Agent, or Firm* — Jerry Haynes Law

(57) **CLAIM**

The ornamental design for a stowable bike rack, as shown and described.

DESCRIPTION

FIG. 1 is a front perspective view of a stowable bike rack showing the new design;

FIG. 2 is a front view thereof;

FIG. 3 is a rear view thereof;

FIG. 4 is a left side view thereof;

FIG. 5 is a right side view thereof;

FIG. 6 is a top view thereof;

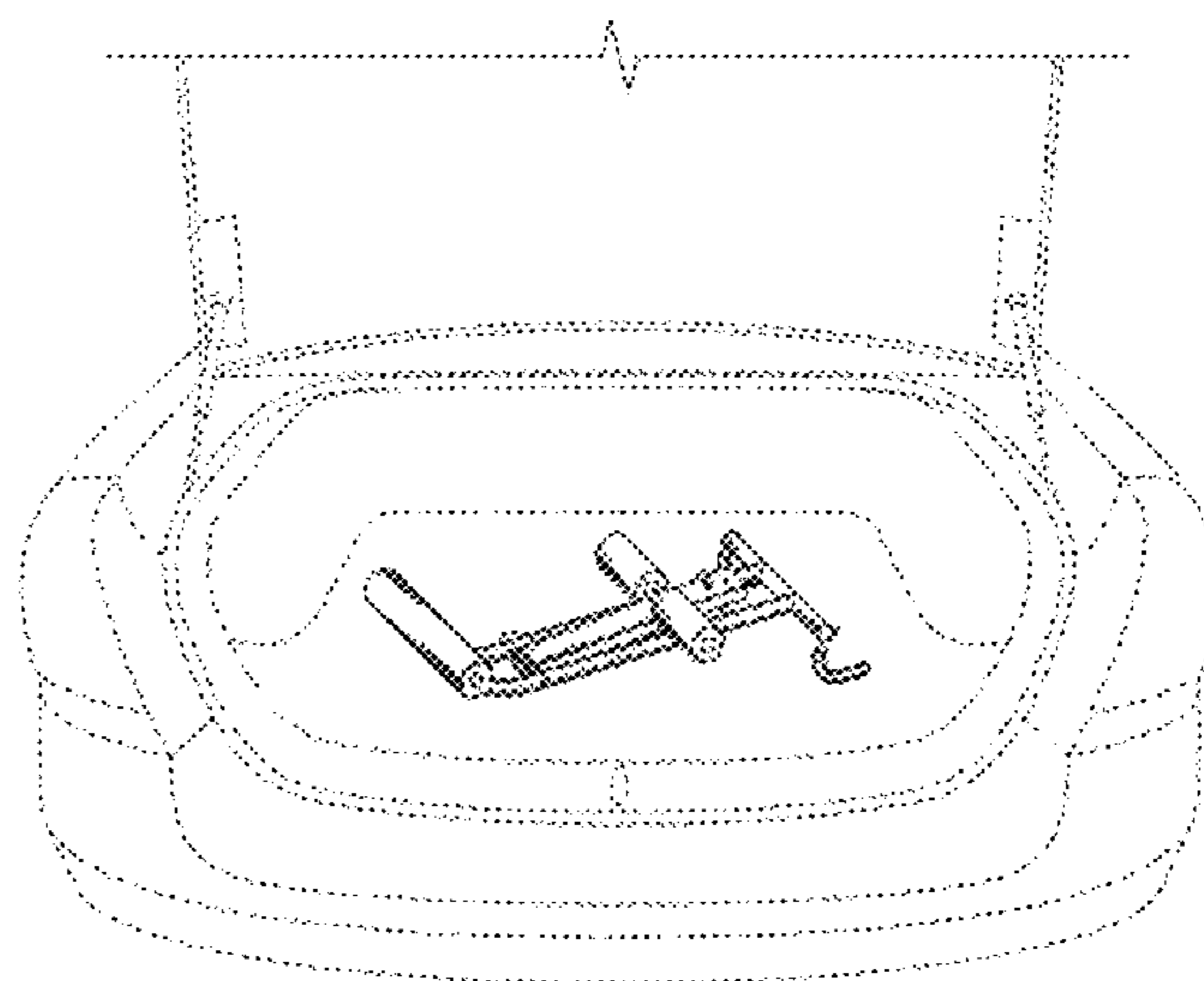
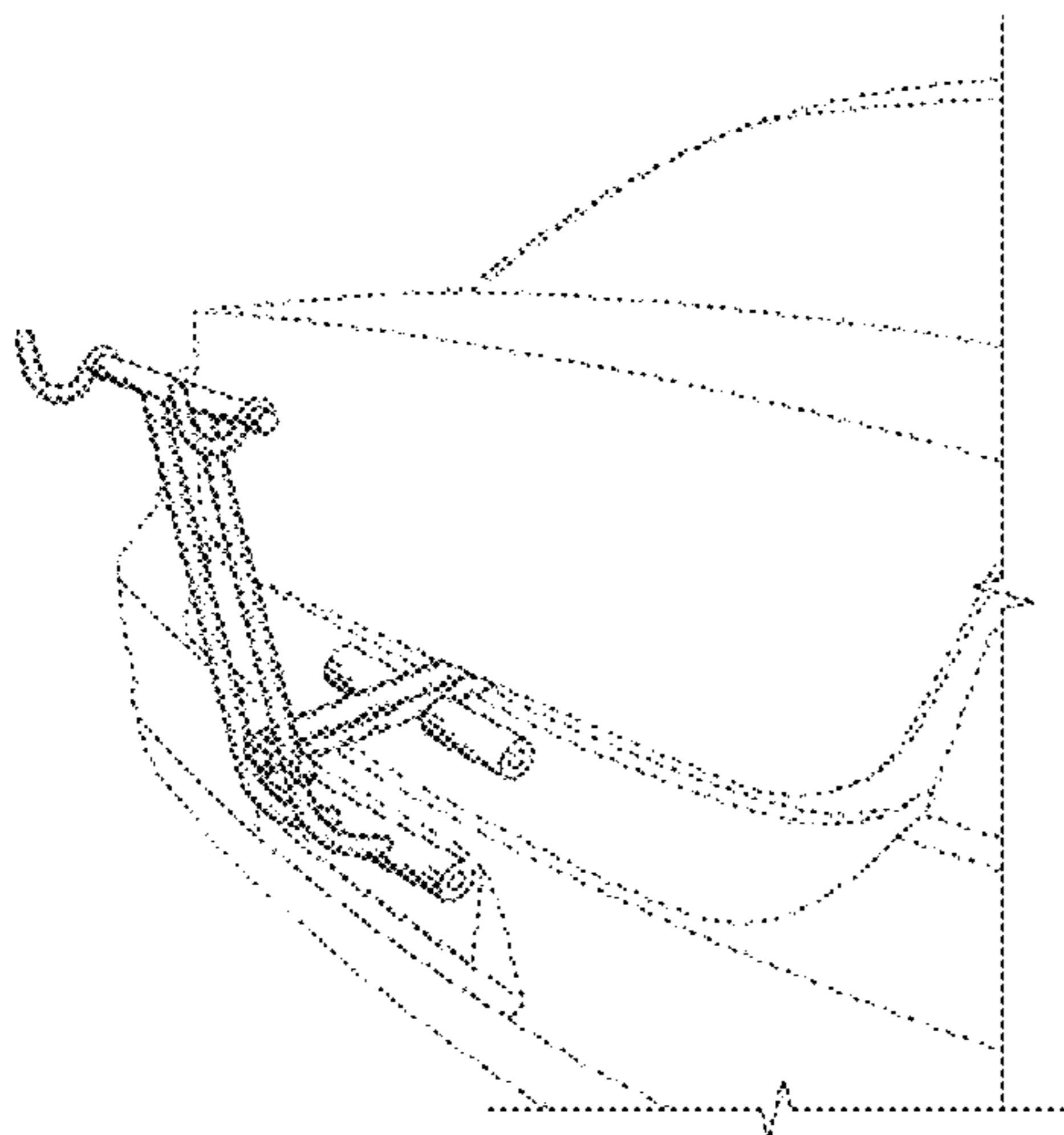
FIG. 7 is a bottom view thereof;

FIG. 8 is a perspective view showing the stowable bike rack in a deployed position in the environment in which it is to be used; and,

FIG. 9 is an alternative perspective view showing the stowable bike rack in a stowed position in the environment in which it is to be used.

The broken lines showing environment is included for the purpose of illustrating the stowable bike rack in use and forms no part of the claimed design.

1 Claim, 5 Drawing Sheets



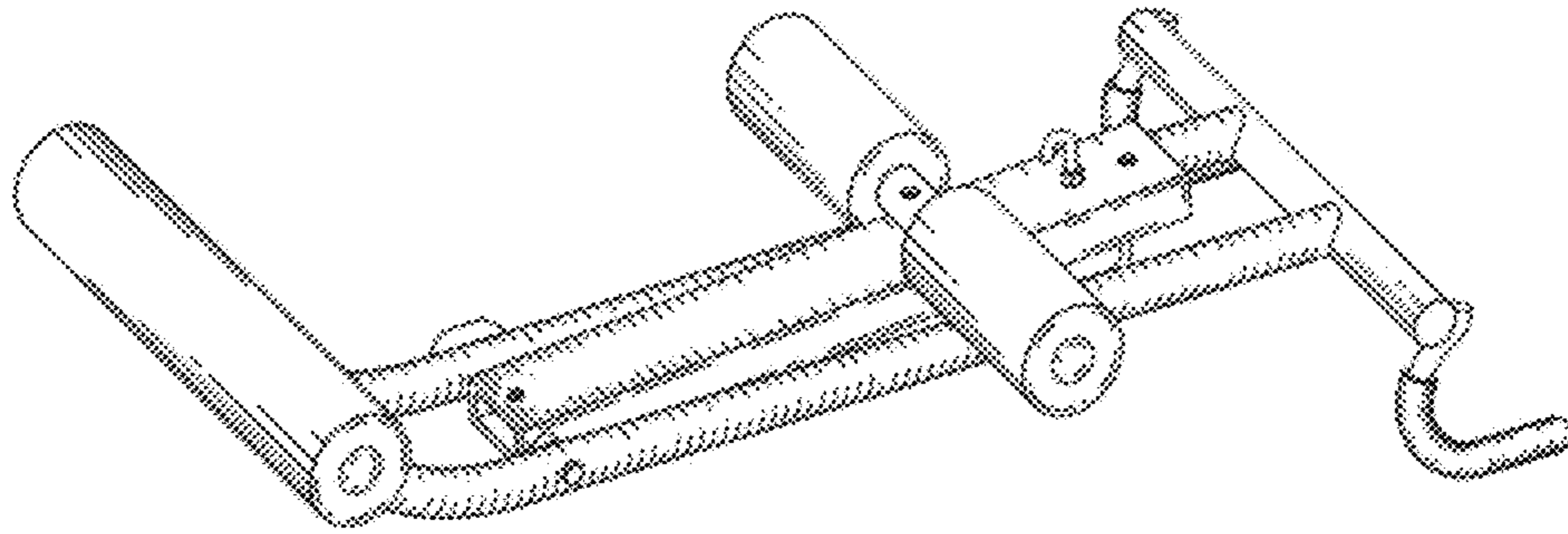


FIG. 1

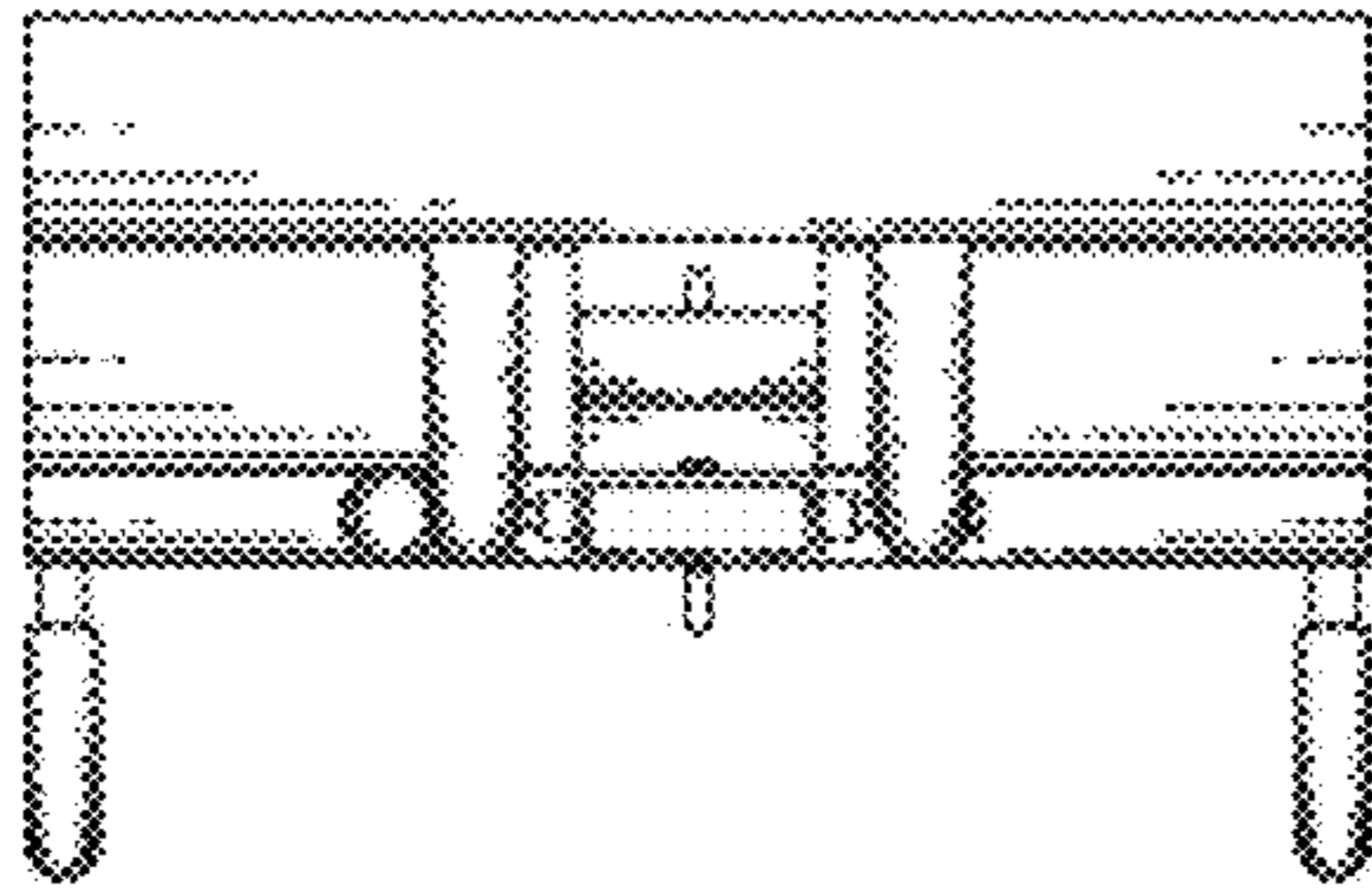


FIG. 2

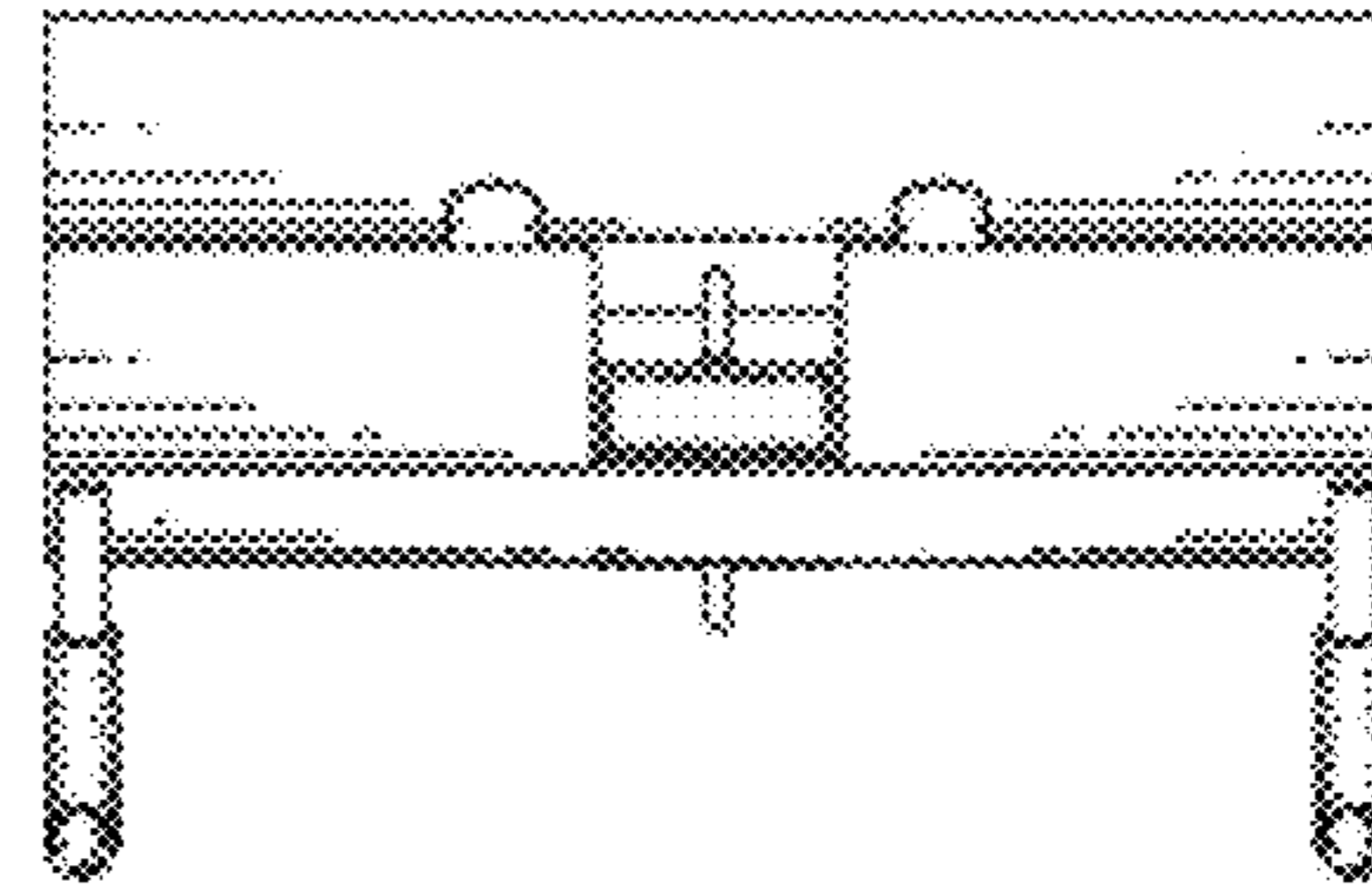


FIG. 3

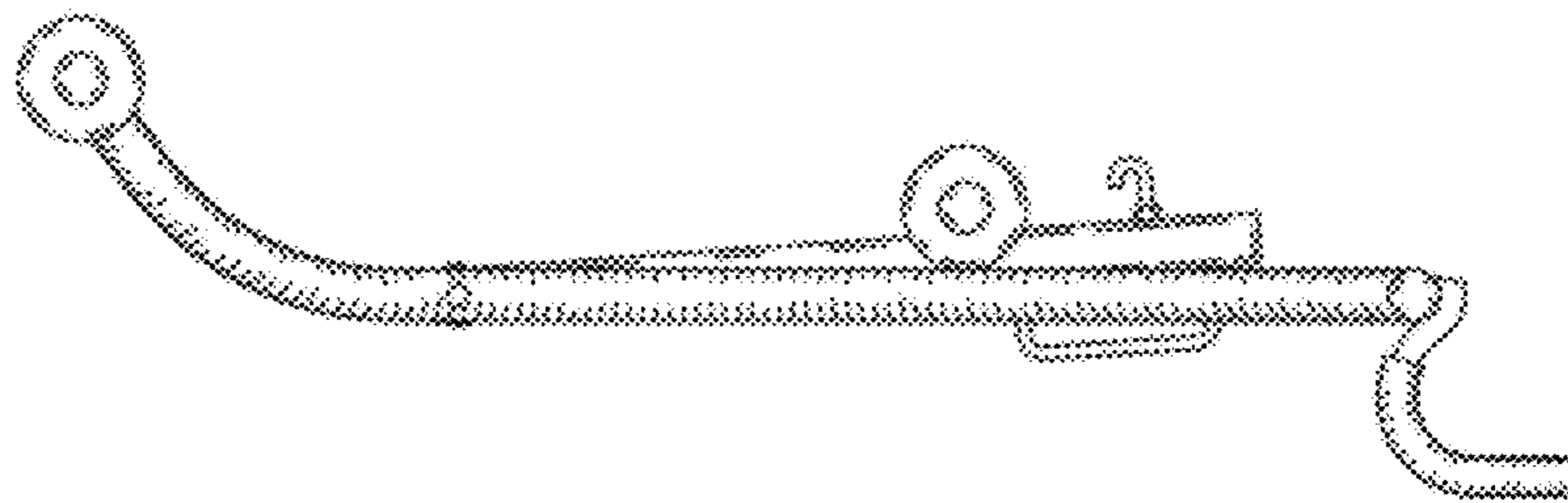


FIG. 4

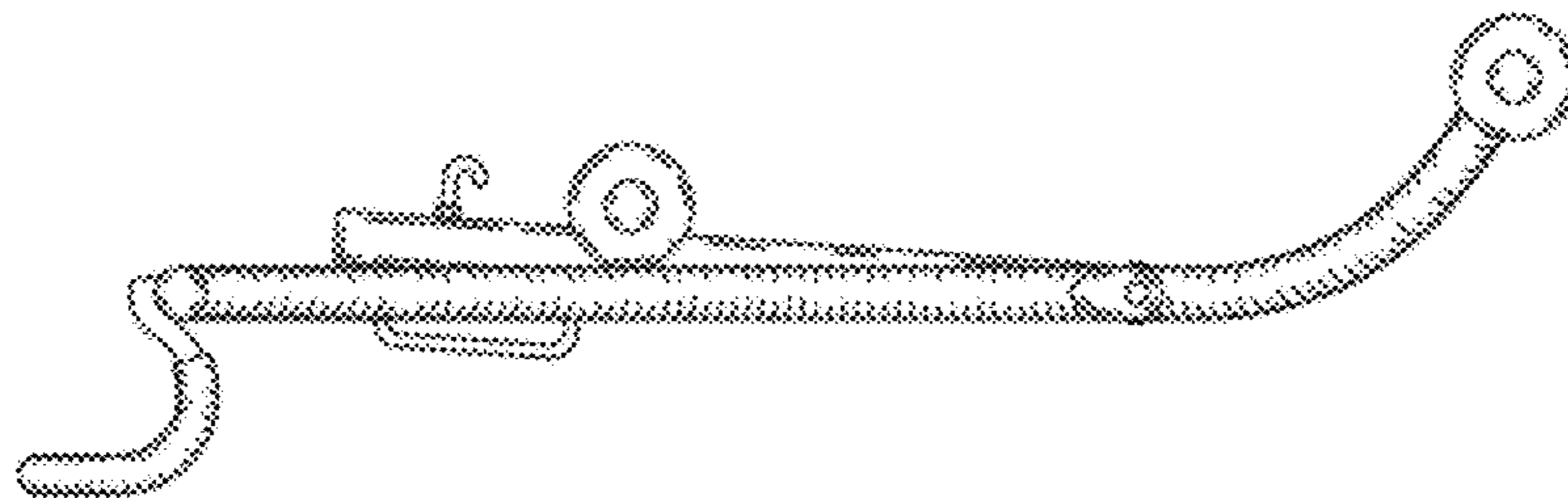


FIG. 5

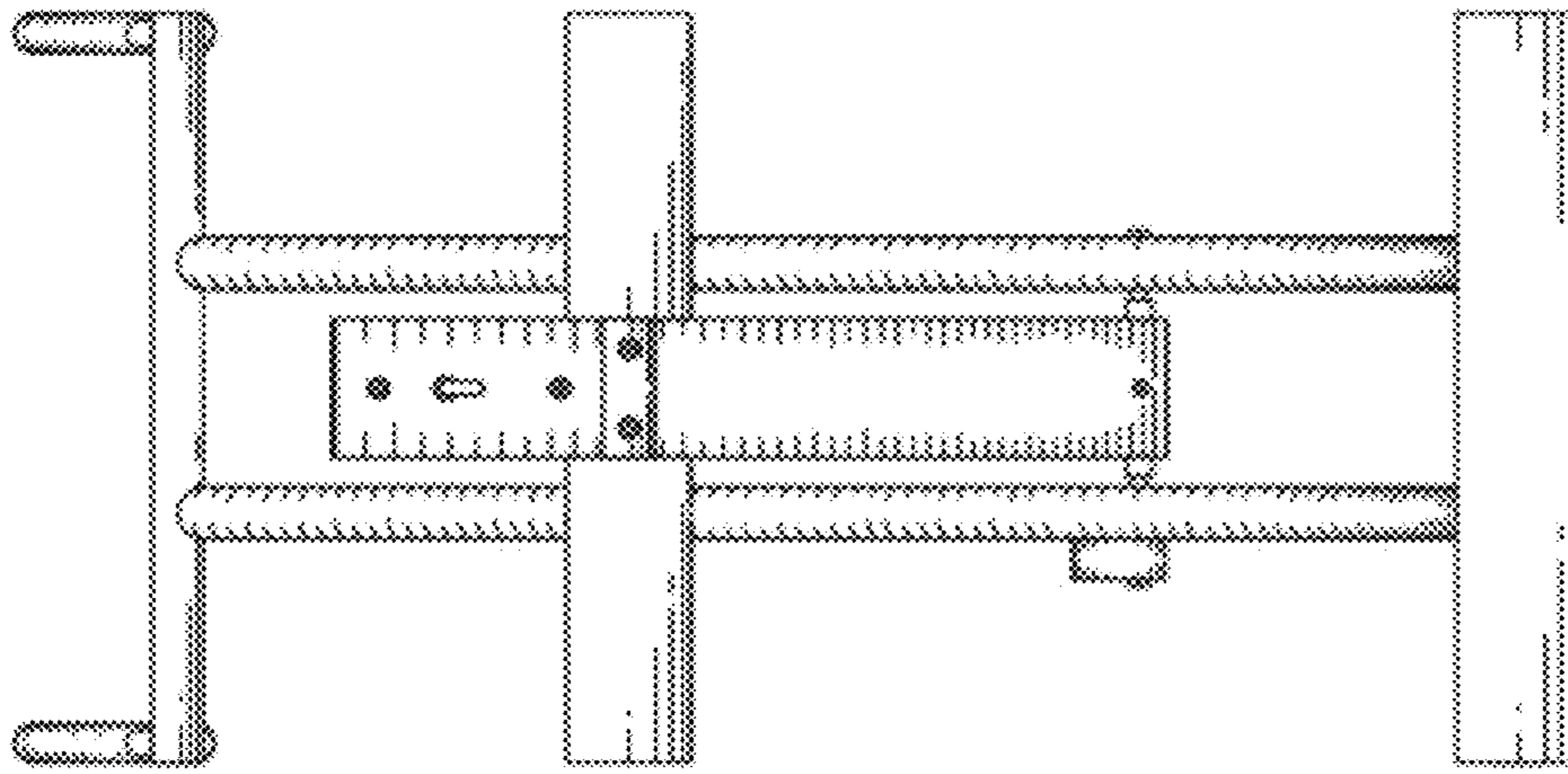


FIG. 6

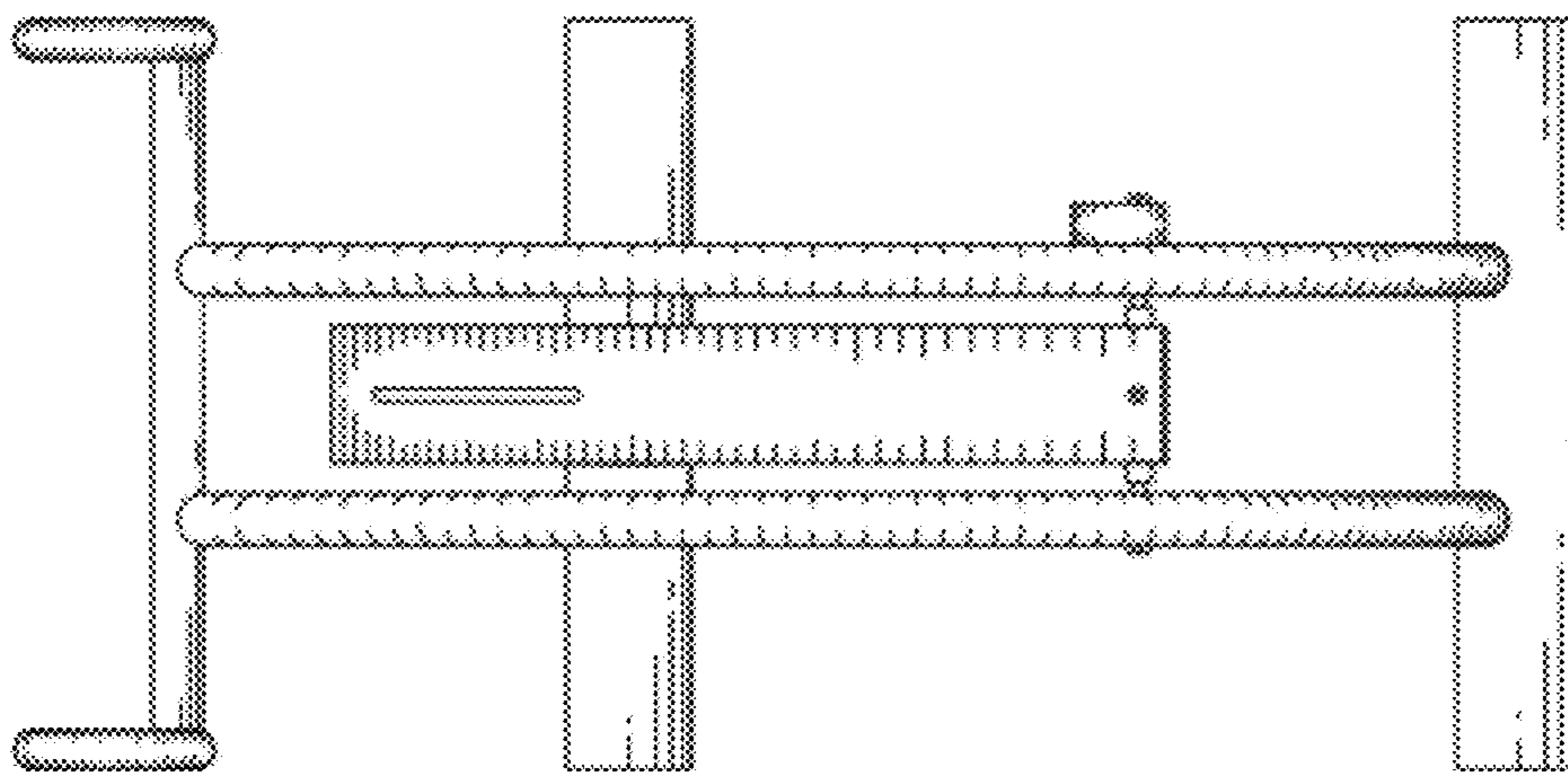


FIG. 7

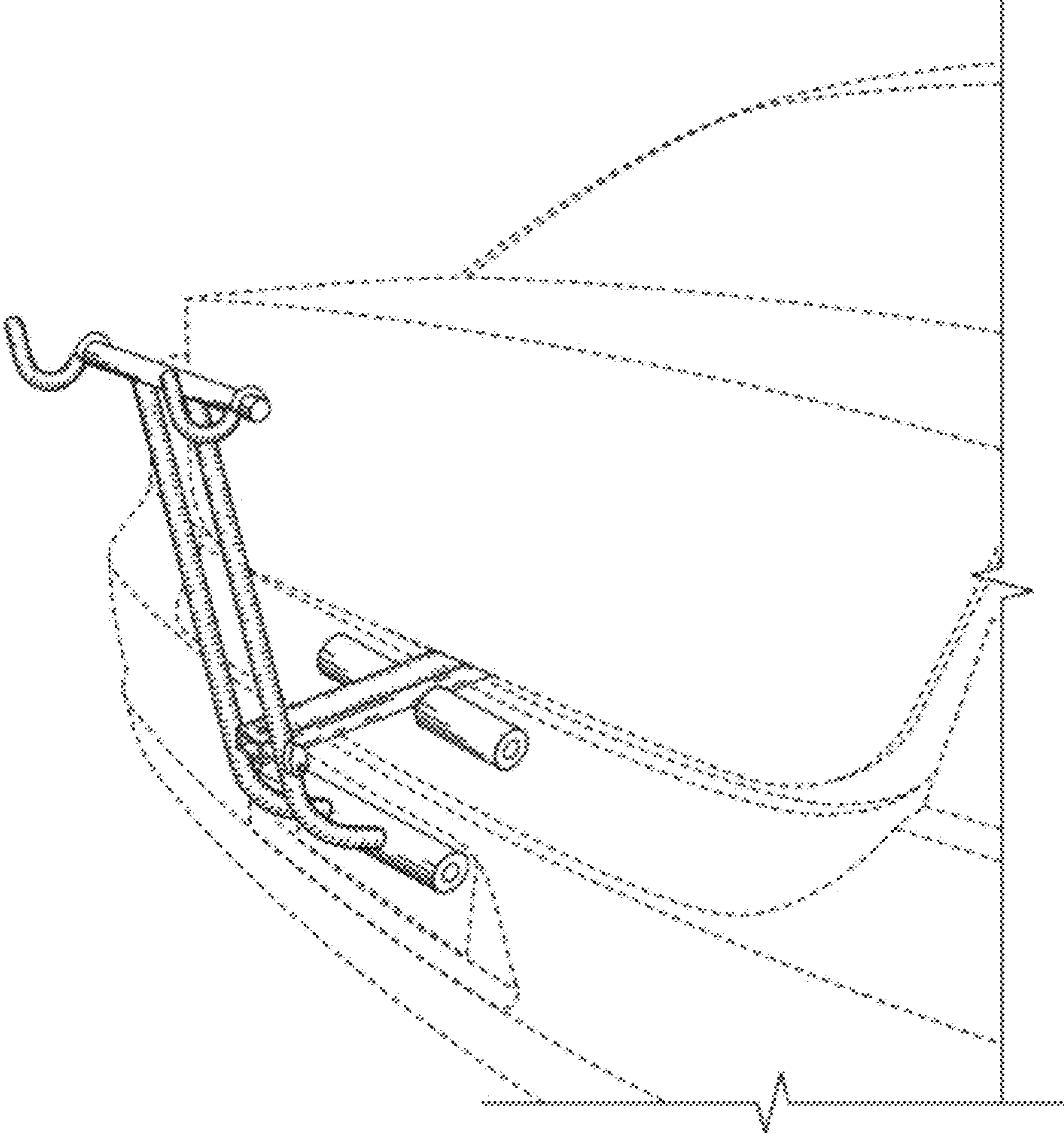


FIG. 8

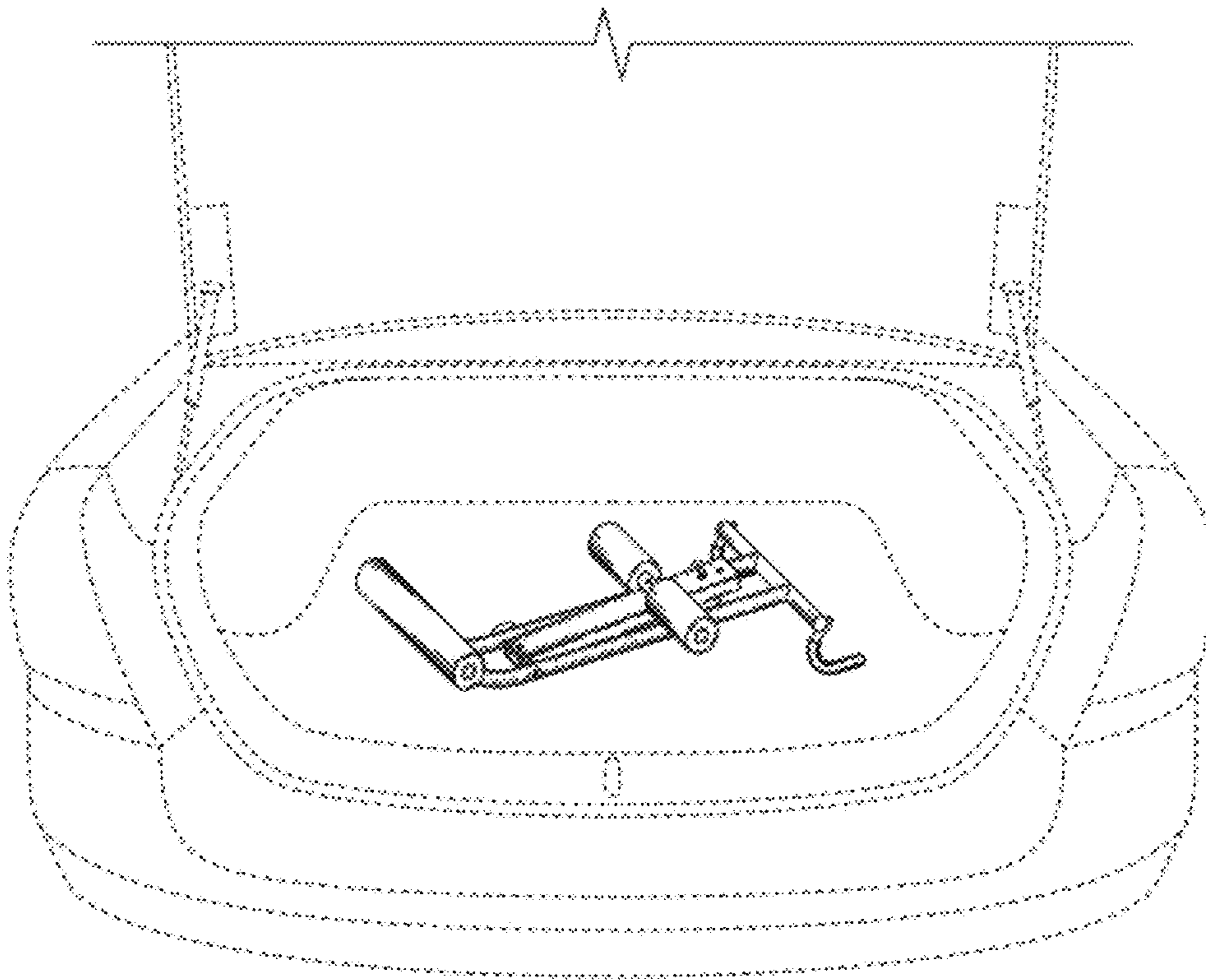


FIG. 9