

US00D669410S

(12) **United States Design Patent**  
**Fetherston**

(10) **Patent No.:** **US D669,410 S**

(45) **Date of Patent:** **\*\* Oct. 23, 2012**

(54) **WHEEL OR WHEEL COVER**

(75) **Inventor:** **Mark Fetherston, Stuttgart (DE)**

(73) **Assignee:** **Daimler AG, Stuttgart (DE)**

(\*\*) **Term:** **14 Years**

(21) **Appl. No.:** **29/392,476**

(22) **Filed:** **May 23, 2011**

(30) **Foreign Application Priority Data**

Nov. 24, 2010 (EM) ..... 001785189-0002

(51) **LOC (9) Cl.** ..... **12-16**

(52) **U.S. Cl.** ..... **D12/211**

(58) **Field of Classification Search** ..... D12/204-213;  
301/37.101, 64.101, 65, 64.201

See application file for complete search history.

(56) **References Cited**

**U.S. PATENT DOCUMENTS**

D463,769 S *	10/2002	Chung	.....	D12/211
D486,111 S *	2/2004	Weidhase	.....	D12/211
D506,172 S *	6/2005	Pfeiffer	.....	D12/211
D516,988 S *	3/2006	Laengerer	.....	D12/211

D528,495 S *	9/2006	Truebsbach	.....	D12/211
D542,209 S *	5/2007	Pfeiffer	.....	D12/211
D563,304 S *	3/2008	Pfeiffer	.....	D12/211
D585,353 S *	1/2009	Scheu	.....	D12/211
D604,685 S *	11/2009	Zhou et al.	.....	D12/211
D619,525 S *	7/2010	Patel	.....	D12/211
D621,771 S *	8/2010	Truebsbach	.....	D12/211
D635,907 S *	4/2011	Futschik et al.	.....	D12/211
D641,680 S *	7/2011	Laengerer	.....	D12/211
D654,007 S *	2/2012	Nissl	.....	D12/211

\* cited by examiner

*Primary Examiner* — Stacia Cadmus

(74) *Attorney, Agent, or Firm* — Crowell & Moring LLP

(57) **CLAIM**

The ornamental design for a wheel or wheel cover, as shown and described.

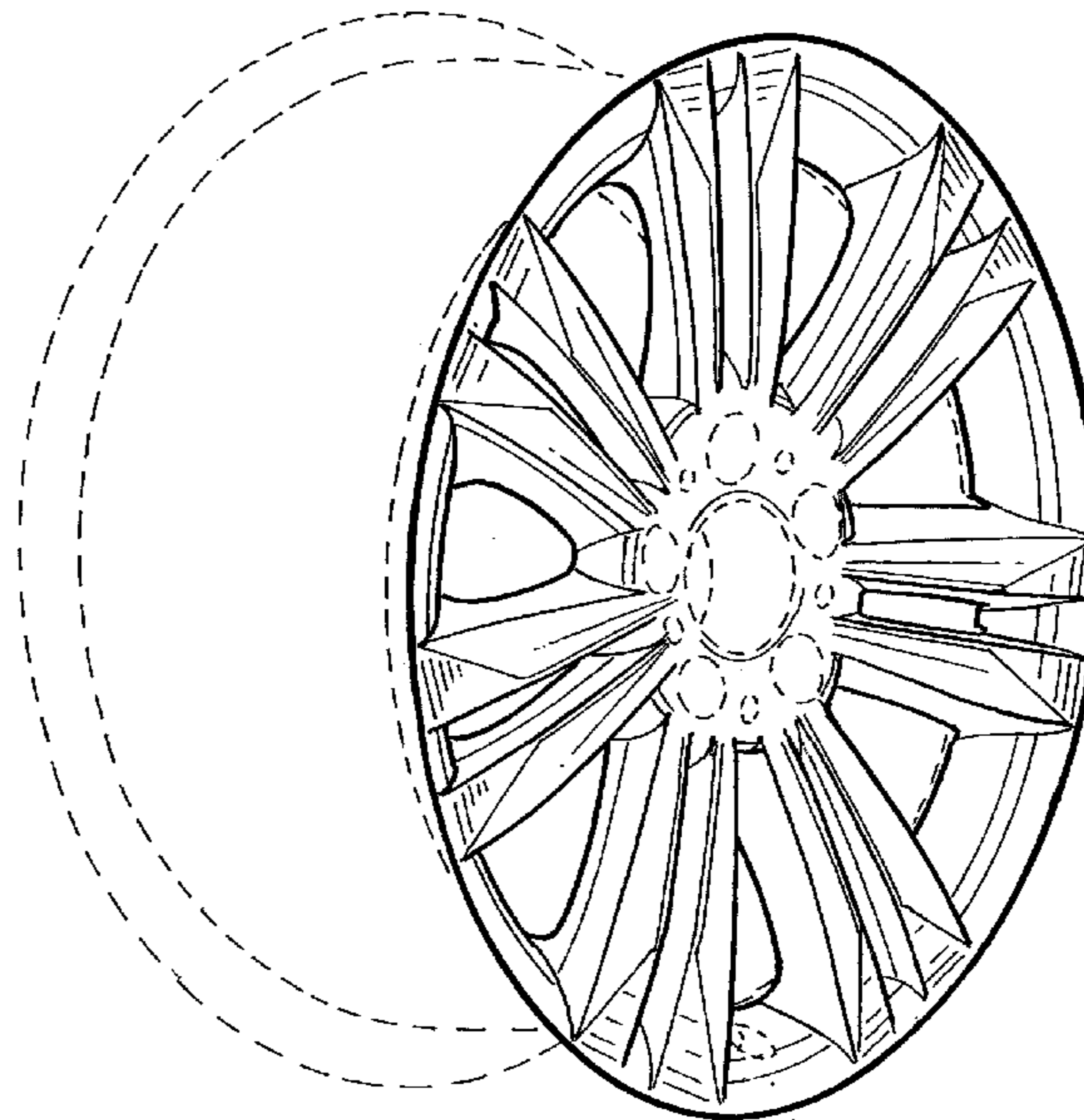
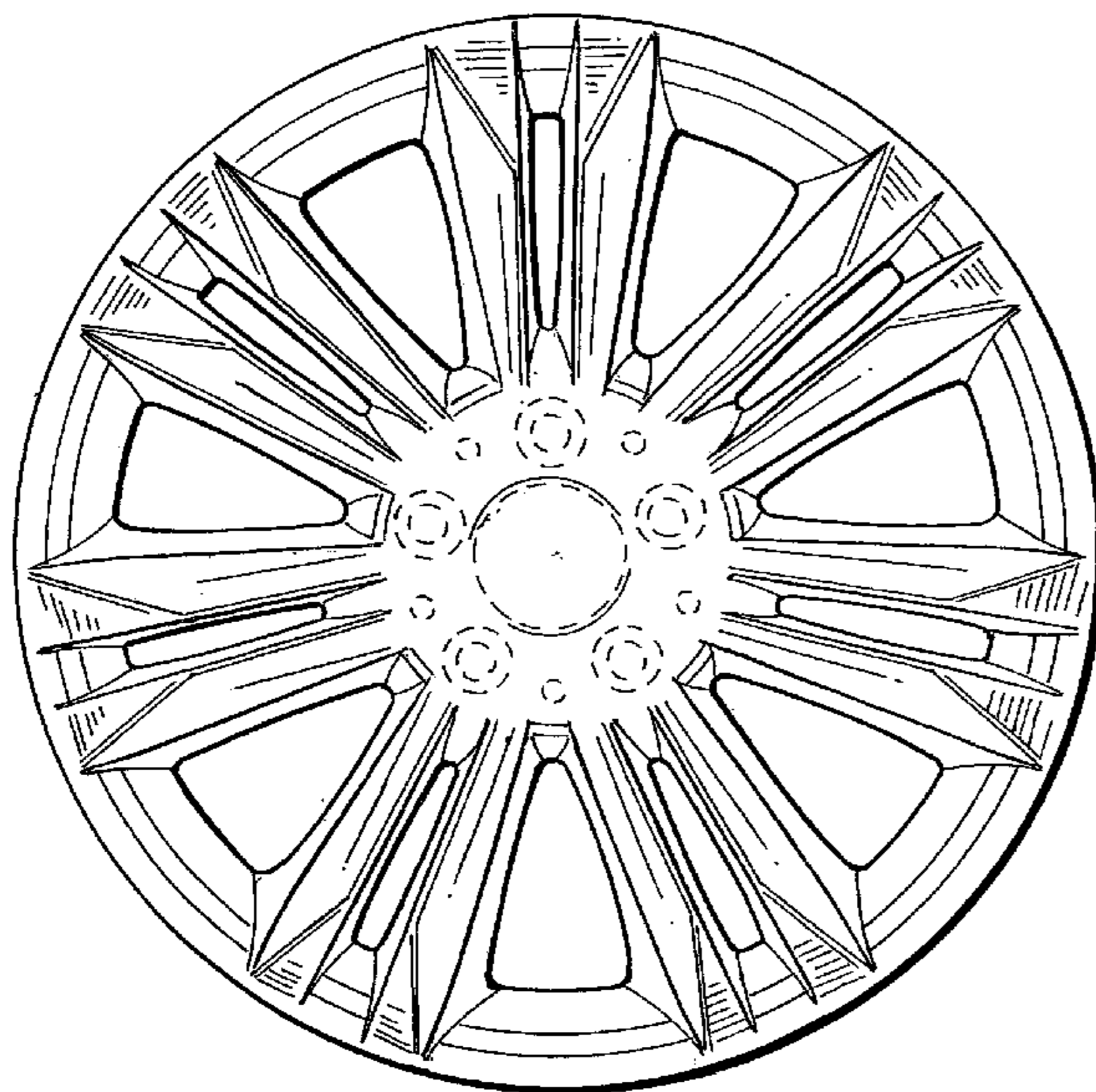
**DESCRIPTION**

FIG. 1 is a front view of a wheel or wheel cover according to my design; and,

FIG. 2 is a perspective view thereof.

The broken line showing of the rear of the wheel, and the bolt holes and the center cap in the central hub area is included for the purpose of illustrating environment and forms no part of the claimed design.

**1 Claim, 1 Drawing Sheet**



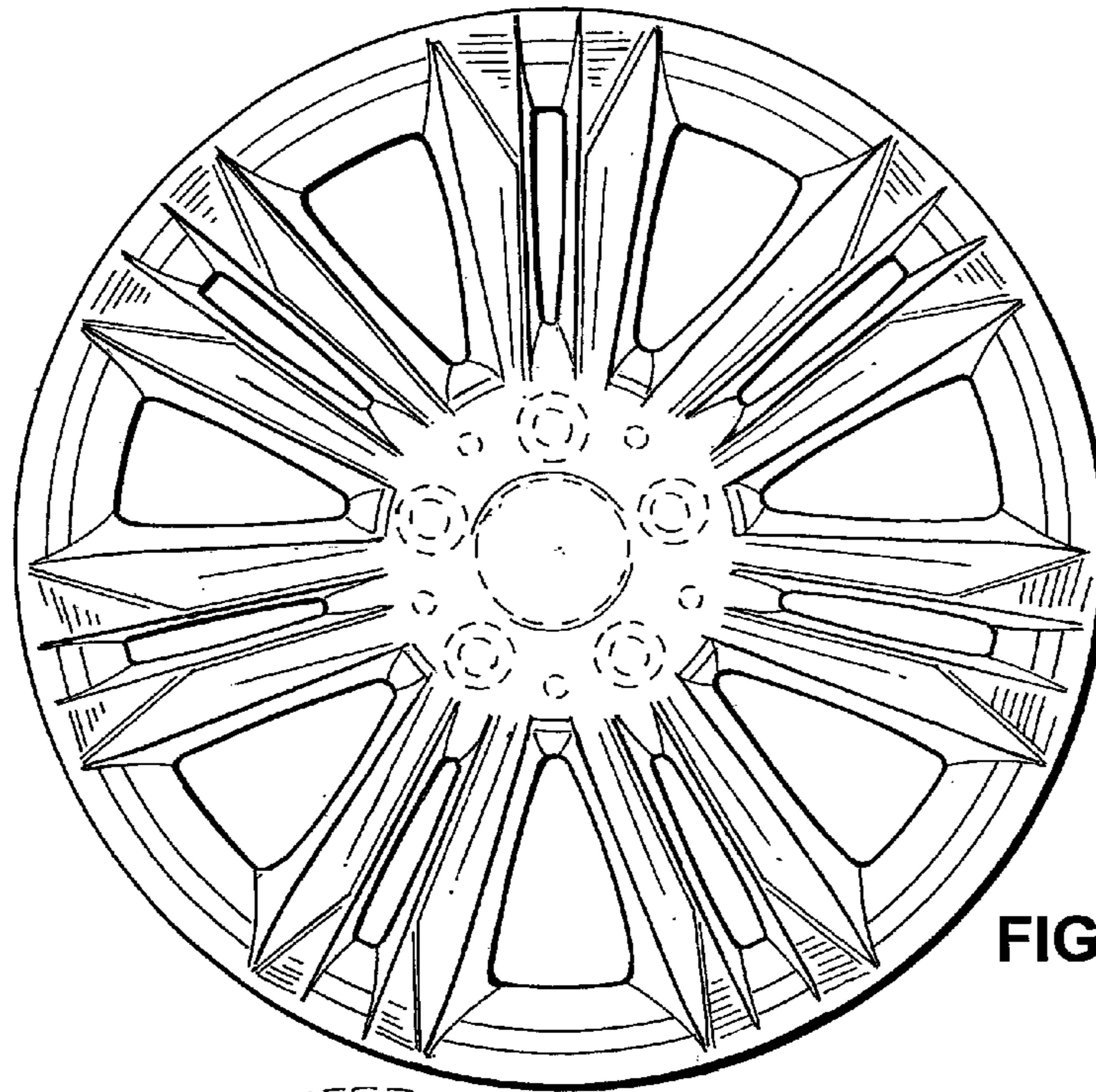


FIG. 1

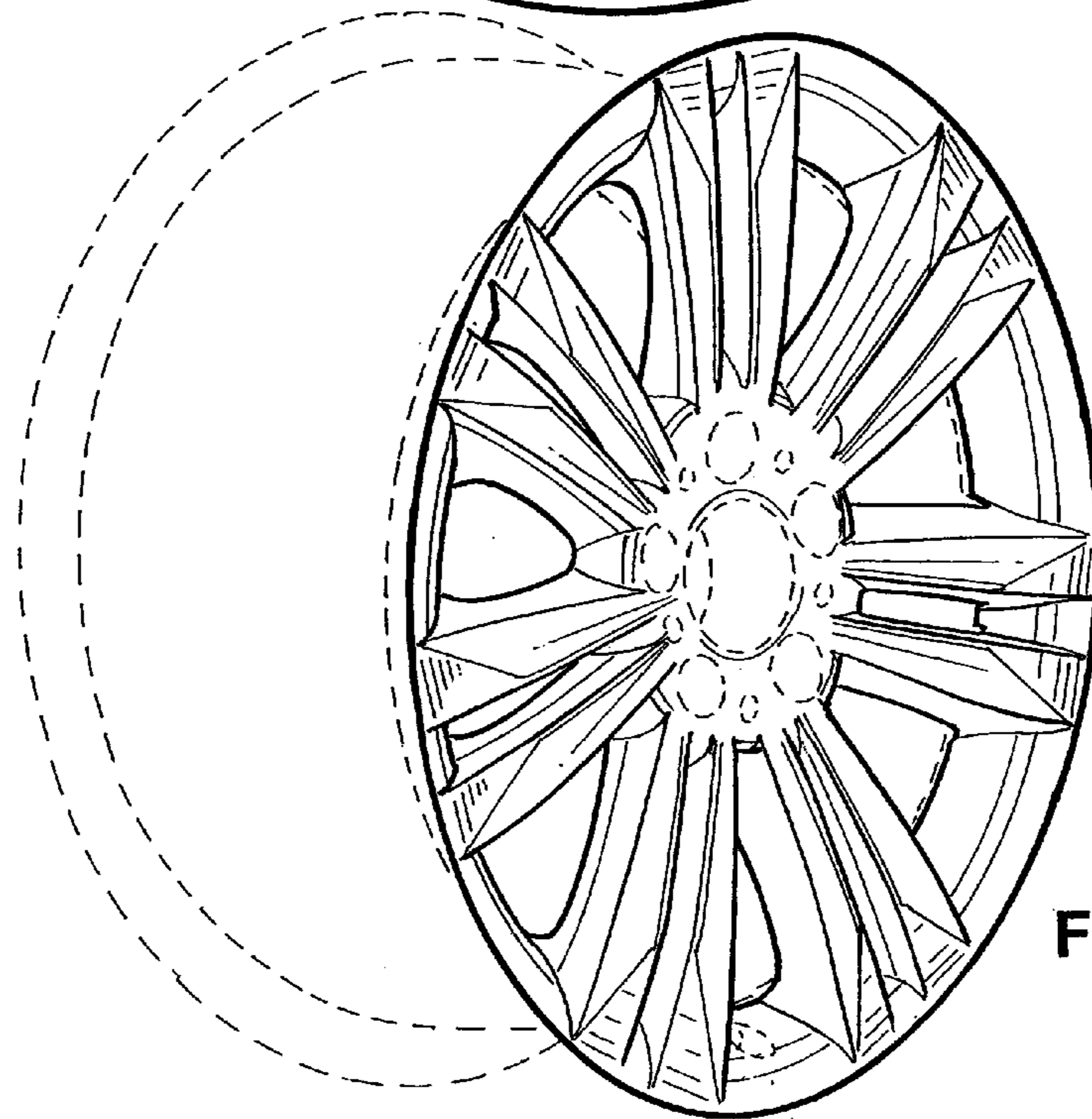


FIG. 2