

US00D669409S

(12) **United States Design Patent**
Arakelian

(10) **Patent No.:** **US D669,409 S**

(45) **Date of Patent:** **** Oct. 23, 2012**

(54) **WHEEL**

(76) Inventor: **Richard Arakelian**, Arndell Park (AU)

(**) Term: **14 Years**

(21) Appl. No.: **29/383,699**

(22) Filed: **Jan. 20, 2011**

(30) **Foreign Application Priority Data**

Jul. 20, 2010 (AU) 13049/2010

(51) **LOC (9) Cl.** **12-16**

(52) **U.S. Cl.** **D12/211; D12/501**

(58) **Field of Classification Search** D12/204-213,
D12/501; 301/37.101, 64.101, 65, 64.201
See application file for complete search history.

(56) **References Cited**

U.S. PATENT DOCUMENTS

D215,279 S *	9/1969	Mitchell	D12/211
D219,013 S *	10/1970	Keresley	D12/211
D237,703 S *	11/1975	Clement	D12/211
D248,551 S *	7/1978	Sekido et al.	D12/211
D388,047 S *	12/1997	Pfeiffer et al.	D12/211
D411,978 S *	7/1999	Elbertse	D12/211
D514,496 S *	2/2006	Neeper	D12/211
D603,783 S *	11/2009	Carlton et al.	D12/501

D625,240 S *	10/2010	George et al.	D12/211
D659,069 S *	5/2012	Johnson	D12/211
D660,220 S *	5/2012	Chan	D12/211

* cited by examiner

Primary Examiner — Stacia Cadmus

(74) *Attorney, Agent, or Firm* — Christopher Wood; Premier Law Group, PLLC

(57) **CLAIM**

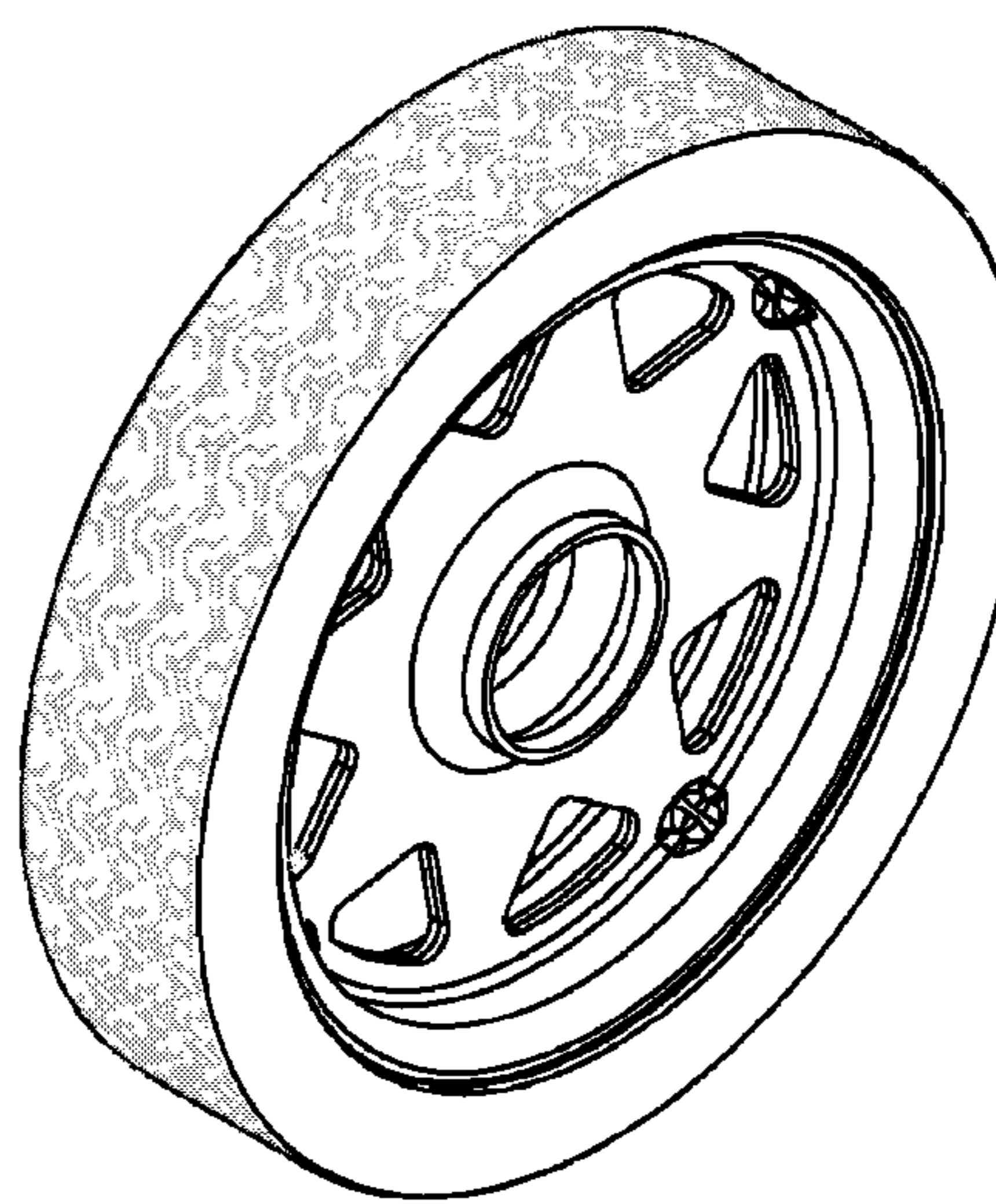
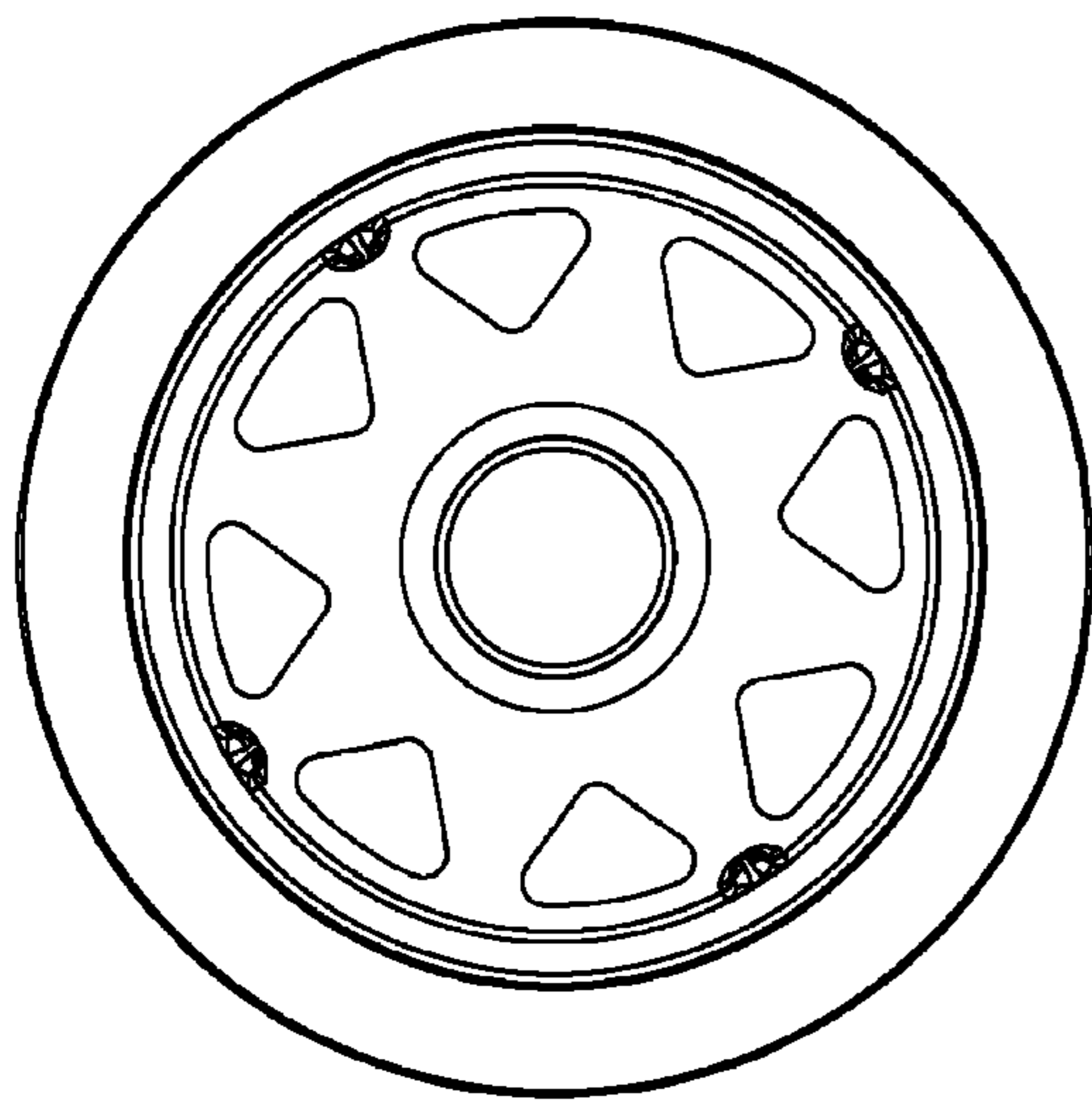
The ornamental design for a wheel, as shown and described.

DESCRIPTION

FIG. 1 is a front view of the wheel showing my new design; FIG. 2 is a rear view thereof; FIG. 3 is a right side elevated view thereof, wherein the left side view is a mirror image of the right side view; FIG. 4 is a top view thereof; FIG. 5 is a bottom view thereof; FIG. 6 is a perspective view of the left side thereof; FIG. 7 is a perspective view of the right side thereof; FIG. 8 is a perspective environmental view of the left side thereof; and, FIG. 9 is a perspective environmental view of the right side thereof.

The tread shown in FIGS. 1, 2, and 4-9 in broken lines and light font is for illustrative purposes only and forms no part of the claimed design, and the hub bearing shown in broken lines in FIGS. 8 and 9 is for illustrative purposes only and forms no part of the claimed design.

1 Claim, 9 Drawing Sheets



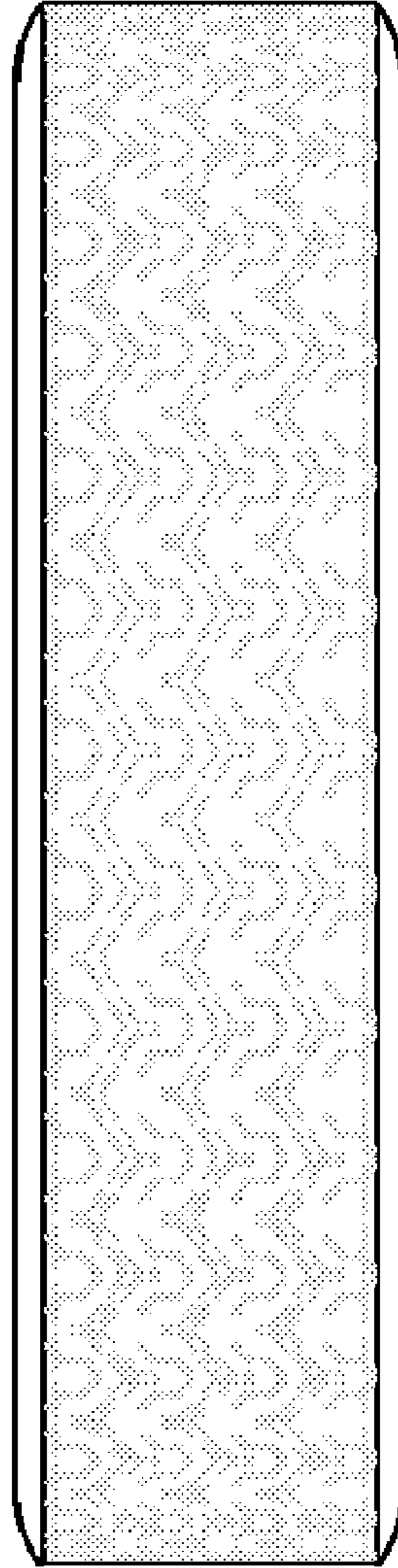


FIG. 1

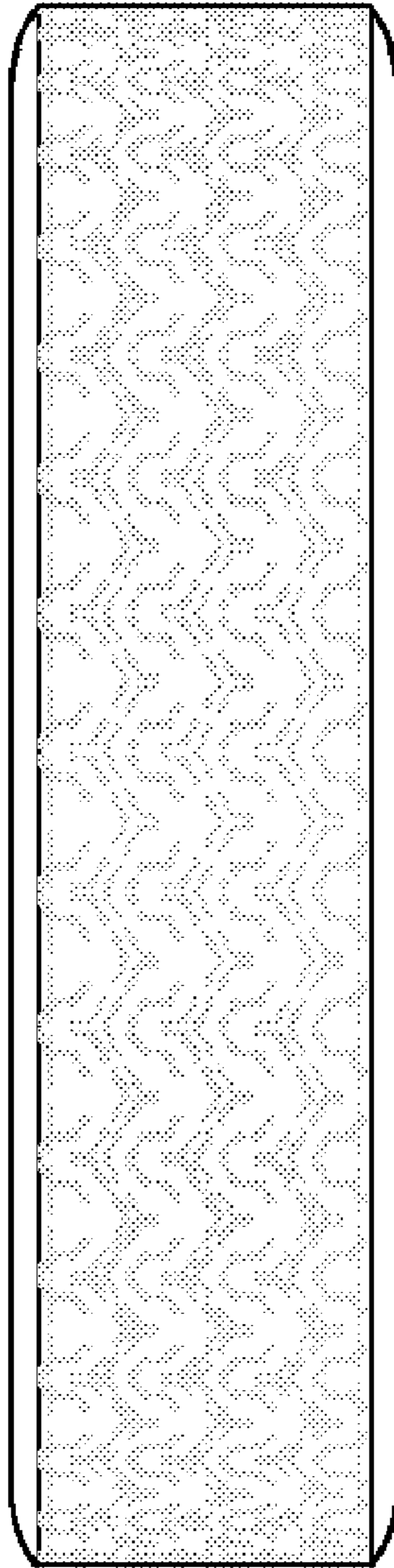


FIG. 2

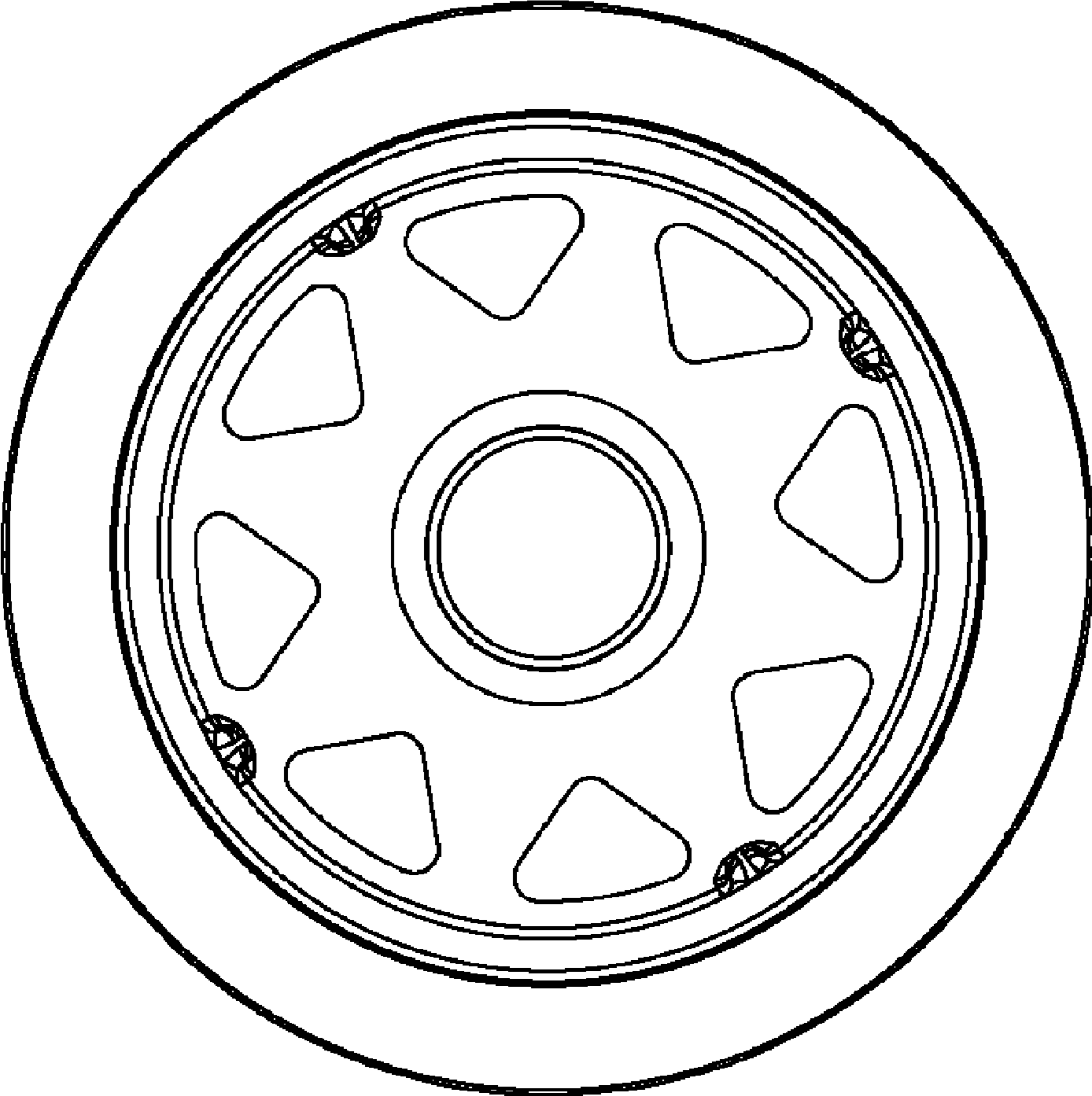


FIG. 3

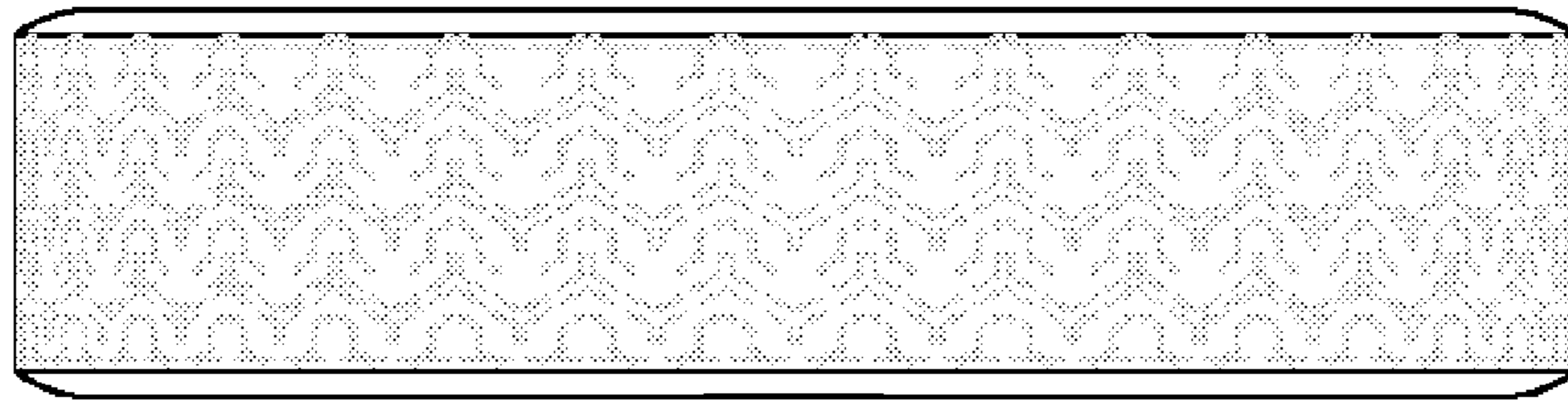


FIG. 4

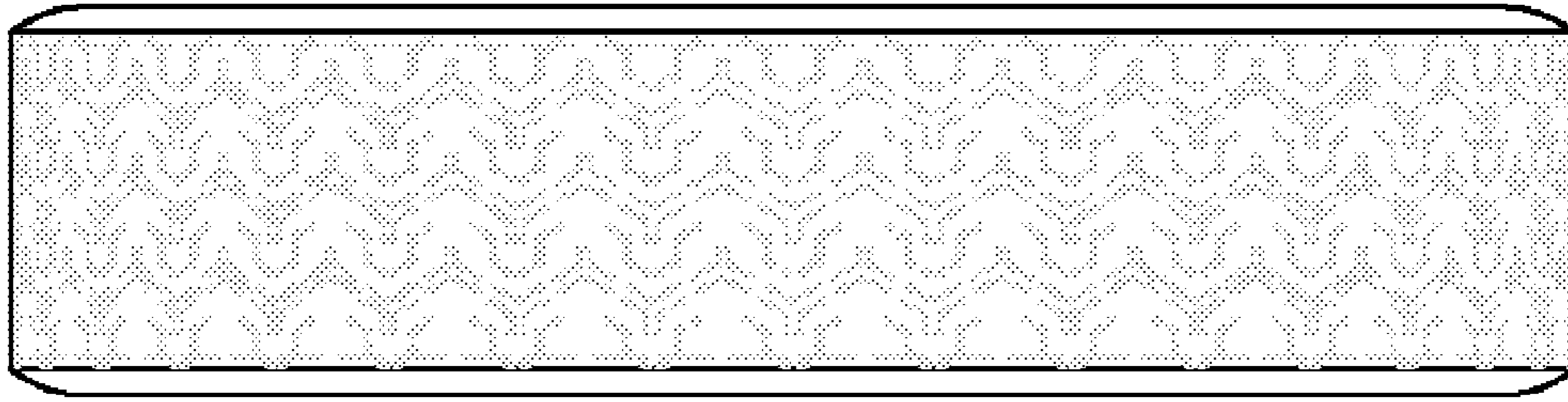


FIG. 5

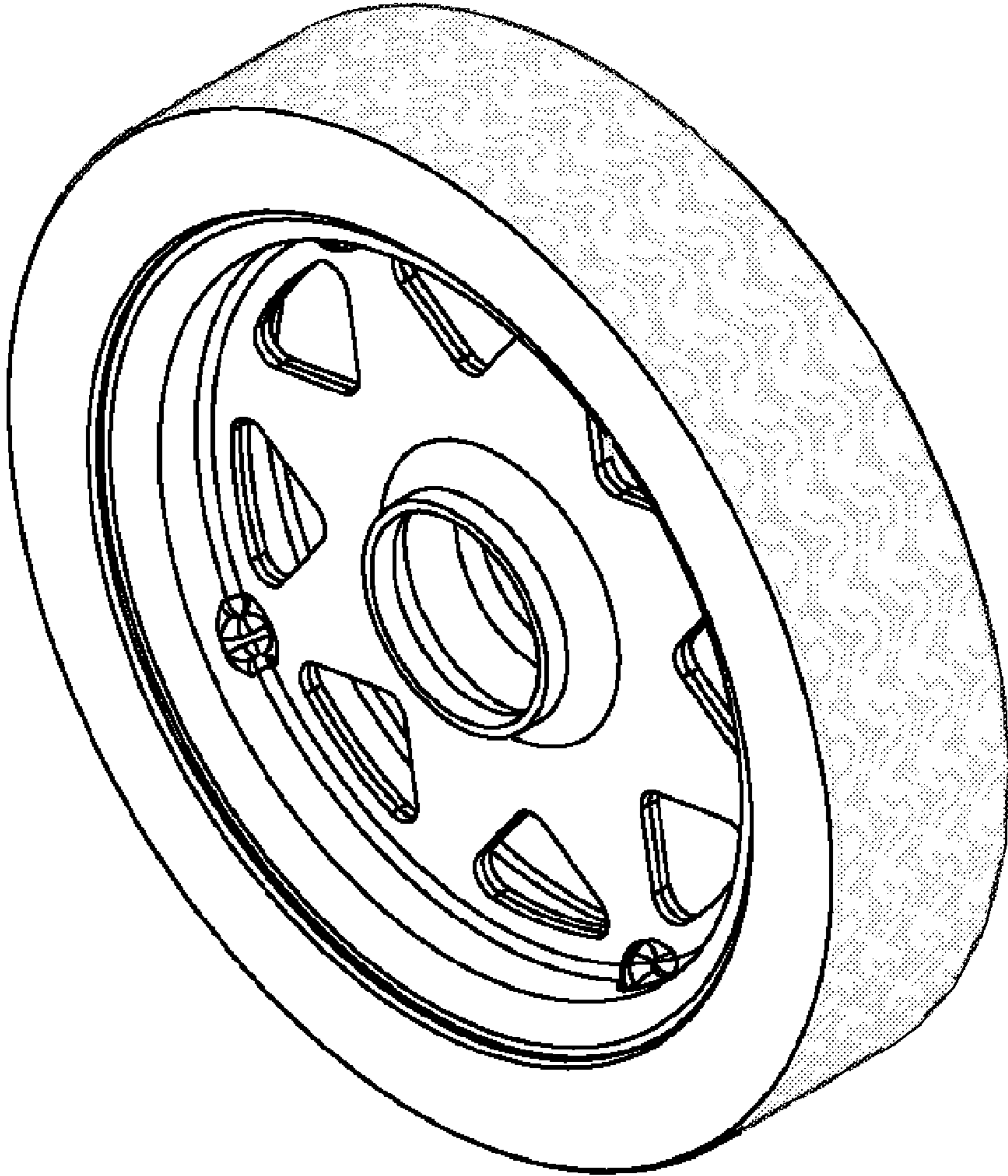


FIG. 6

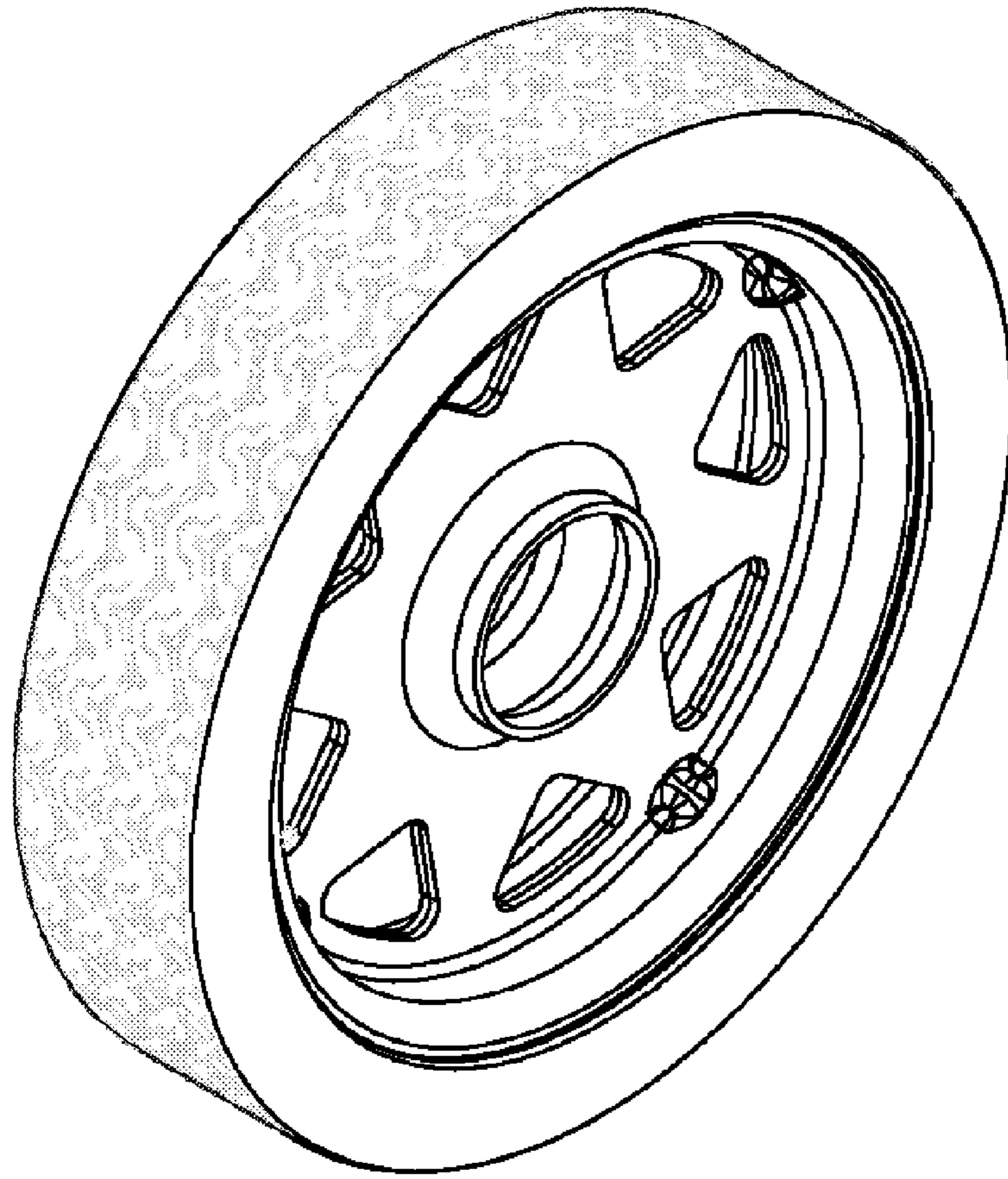


FIG. 7

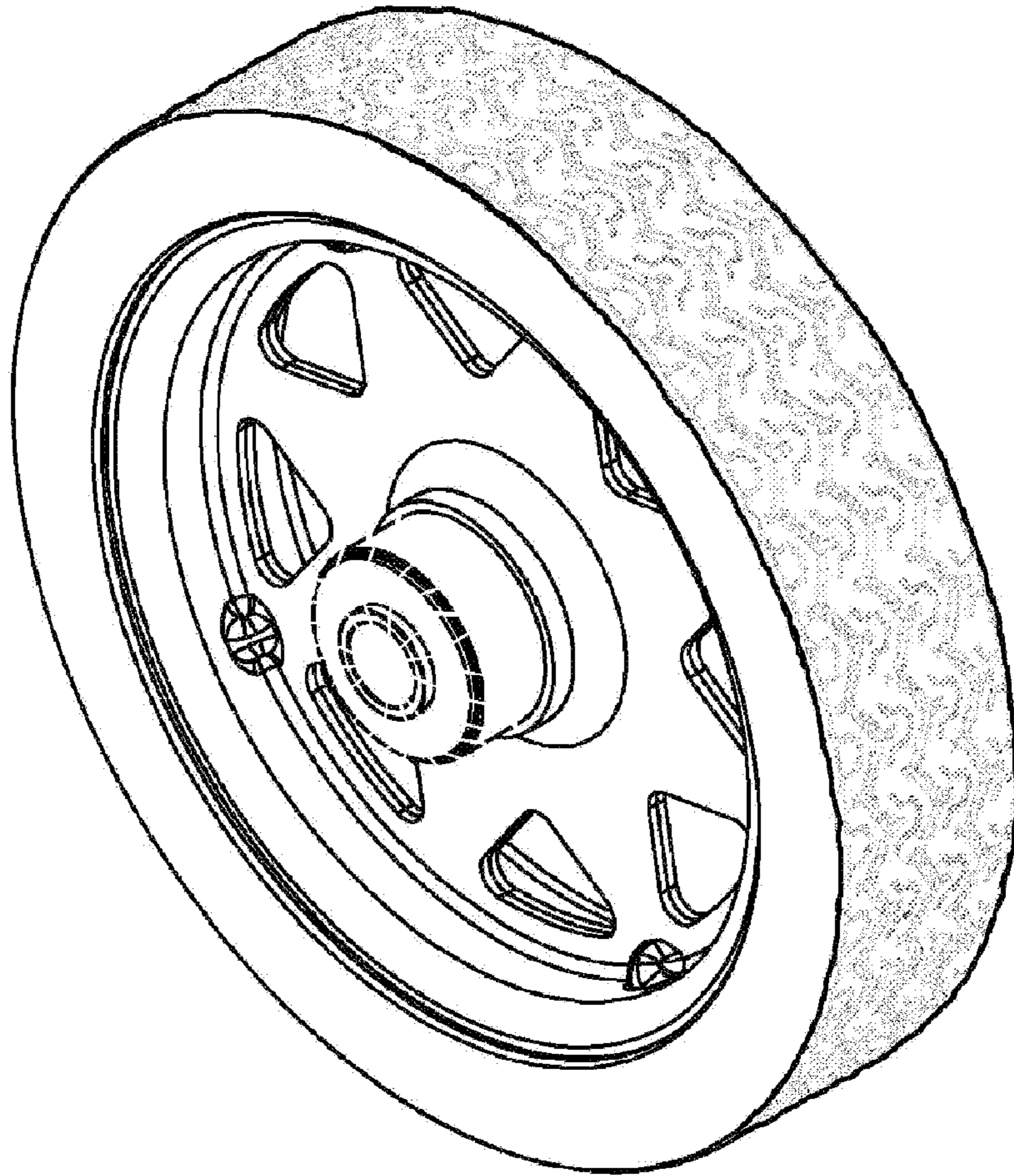


FIG. 8

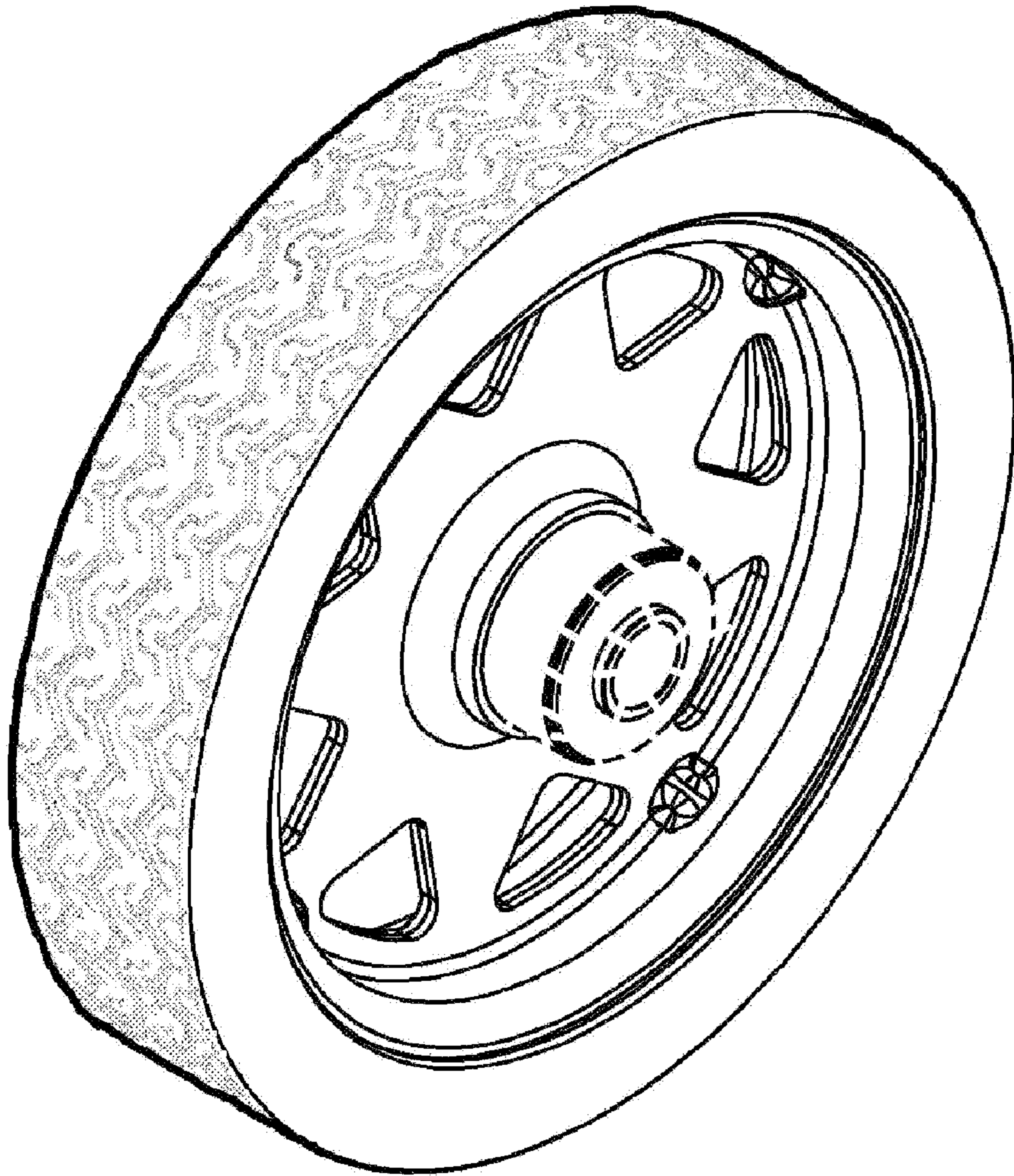


FIG. 9