



US00D669406S

(12) **United States Design Patent**  
**Tomatsu**

(10) **Patent No.:** **US D669,406 S**  
(45) **Date of Patent:** **\*\* Oct. 23, 2012**

(54) **AUTOMOBILE AND/OR TOY REPLICA THEREOF**

(75) Inventor: **Nobuyuki Tomatsu**, Nagoya (JP)

(73) Assignee: **Toyota Jidosha Kabushiki Kaisha** (JP)

(\*\*) Term: **14 Years**

(21) Appl. No.: **29/388,890**

(22) Filed: **Apr. 4, 2011**

(30) **Foreign Application Priority Data**

Jan. 7, 2011	(JP)	.....	2011-000242
Jan. 7, 2011	(JP)	.....	2011-000243
Jan. 7, 2011	(JP)	.....	2011-000244
Jan. 7, 2011	(JP)	.....	2011-000245
Jan. 7, 2011	(JP)	.....	2011-000246

(51) **LOC (9) Cl.** ..... **12-08**

(52) **U.S. Cl.** ..... **D12/190**

(58) **Field of Classification Search** ..... D12/190,  
D12/400, 90, 91, 92, 199, 197, 86, 171, 169,  
D12/163, 110, 114; D11/211, 81, 157, 133,  
D11/172; D20/11, 23, 24, 25, 30, 31, 32;  
293/102, 115; 40/413, 591, 592; 428/31  
See application file for complete search history.

(56) **References Cited**

**U.S. PATENT DOCUMENTS**

D501,435	S	*	2/2005	Hosoda et al.	.....	D12/163
D536,284	S	*	2/2007	Nakamura et al.	.....	D12/163
D538,716	S	*	3/2007	Hogios	.....	D12/163
D539,196	S	*	3/2007	Pfeiffer	.....	D12/163
D539,707	S	*	4/2007	Golden et al.	.....	D12/163
D578,444	S	*	10/2008	Kuo	.....	D12/163
D587,636	S	*	3/2009	Kanno et al.	.....	D12/163

D592,560	S	*	5/2009	Bauer et al.	.....	D12/163
D596,088	S	*	7/2009	Camacho et al.	.....	D12/163
D605,989	S	*	12/2009	Leng et al.	.....	D12/163
2006/0119115	A1	*	6/2006	Filip et al.	.....	293/115

**OTHER PUBLICATIONS**

2009 Audi A6, www.netcarshow.com, posted by NetCarShow at least as early as 2009.

2011 Lexus CT200h, www.netcarshow.com, publicly known at least as early as Mar. 2010.

\* cited by examiner

*Primary Examiner* — Caron D Veynar

*Assistant Examiner* — Katrina A Betton

(74) *Attorney, Agent, or Firm* — SAIDMAN DesignLaw Group

(57) **CLAIM**

The ornamental design for an automobile and/or toy replica thereof, as shown and described.

**DESCRIPTION**

FIG. 1 is a perspective view of an automobile and/or toy replica thereof showing our new design;

FIG. 2 is a front view thereof;

FIG. 3 is a rear view thereof;

FIG. 4 is a top view thereof;

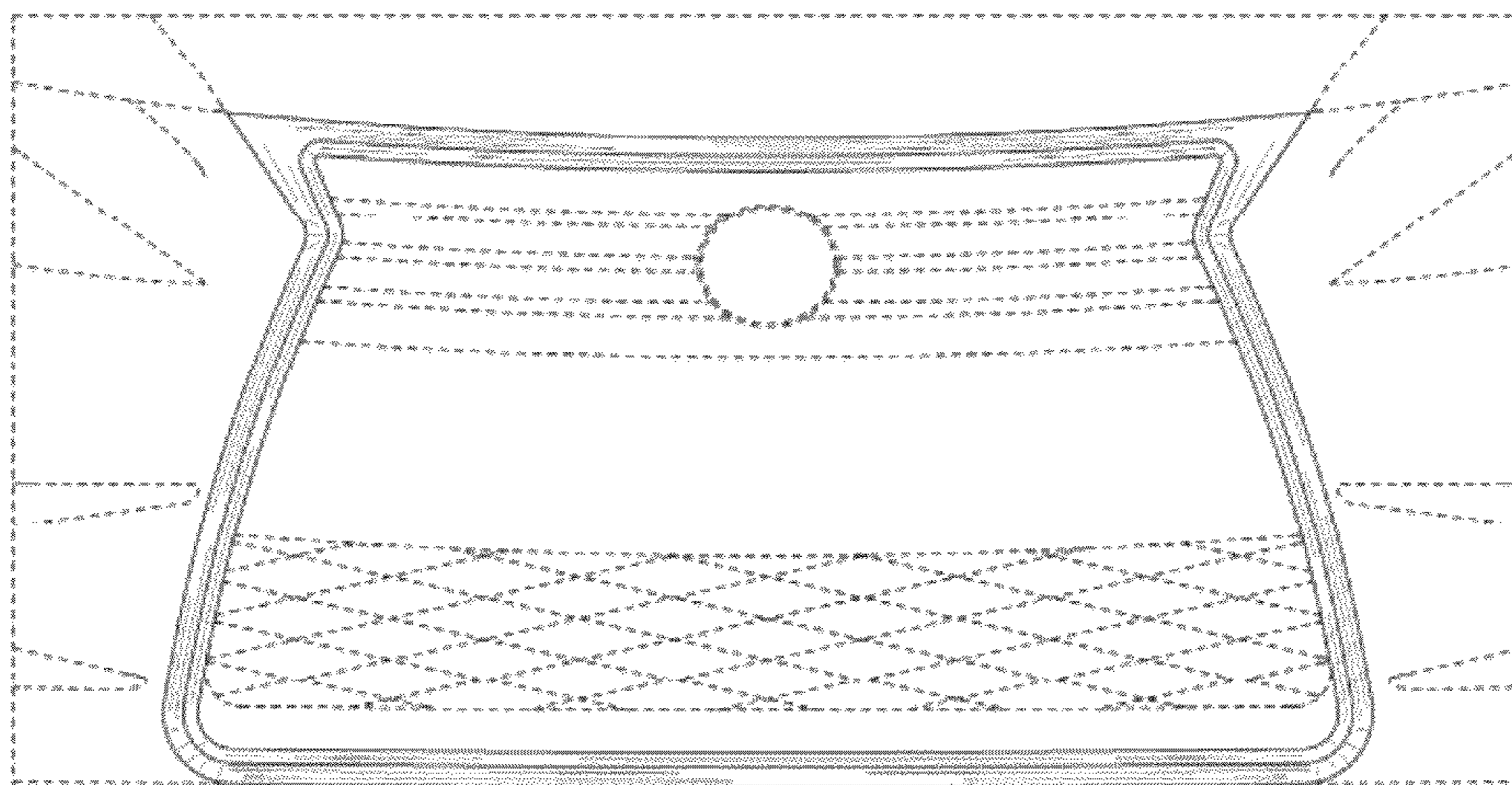
FIG. 5 is a left side view thereof;

FIG. 6 is an enlarged view showing a portion of FIG. 1 defined by line 6-6; and,

FIG. 7 is an enlarged view showing a portion of FIG. 5 defined by lines 7-7.

The broken lines illustrate portions of the automobile and/or toy replica thereof and form no part of the claimed design.

**1 Claim, 4 Drawing Sheets**



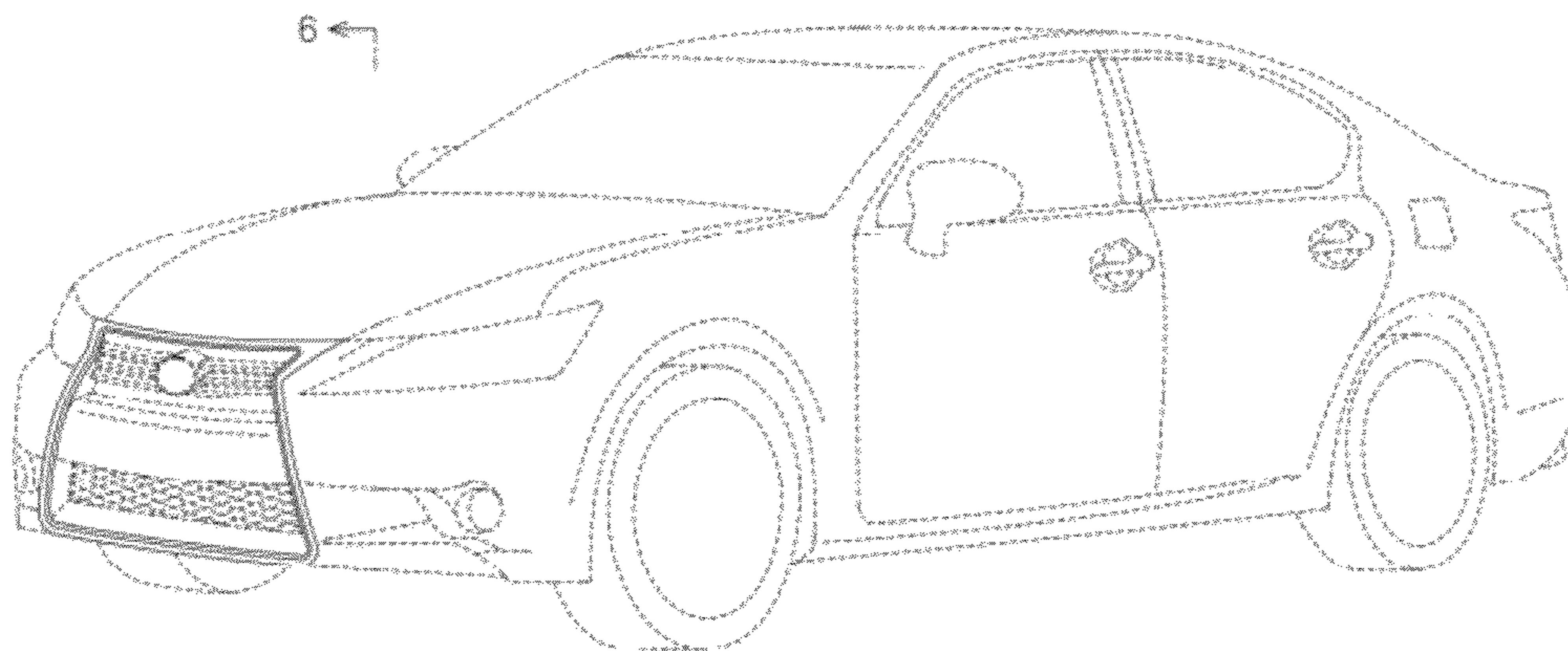


FIG. 1

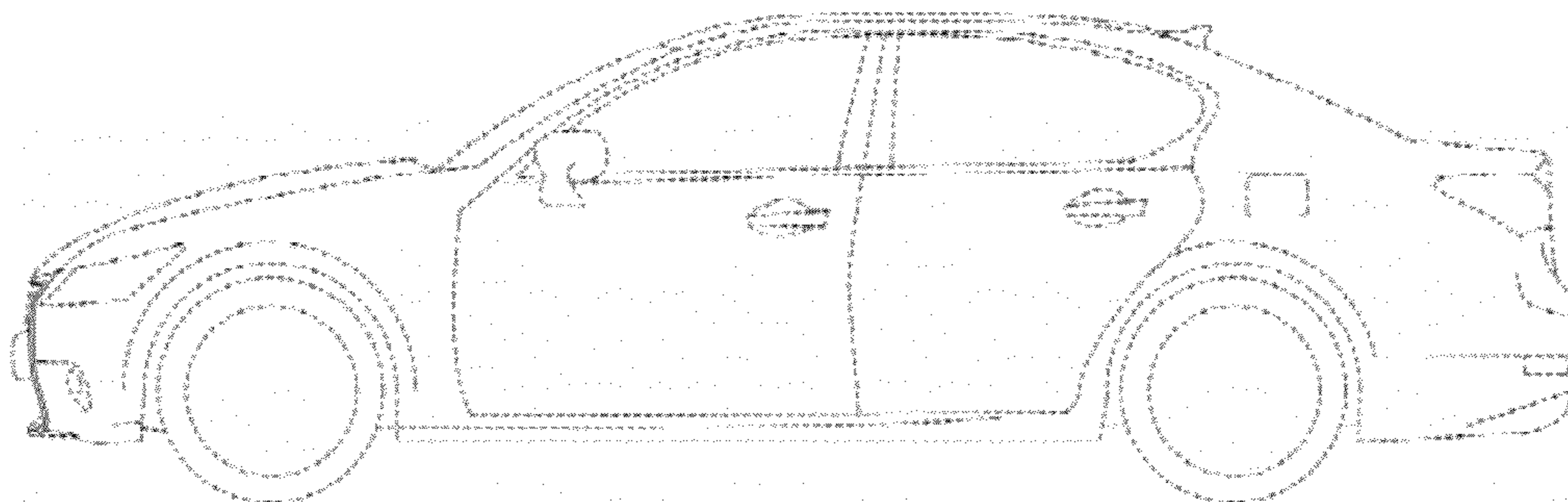


FIG. 2

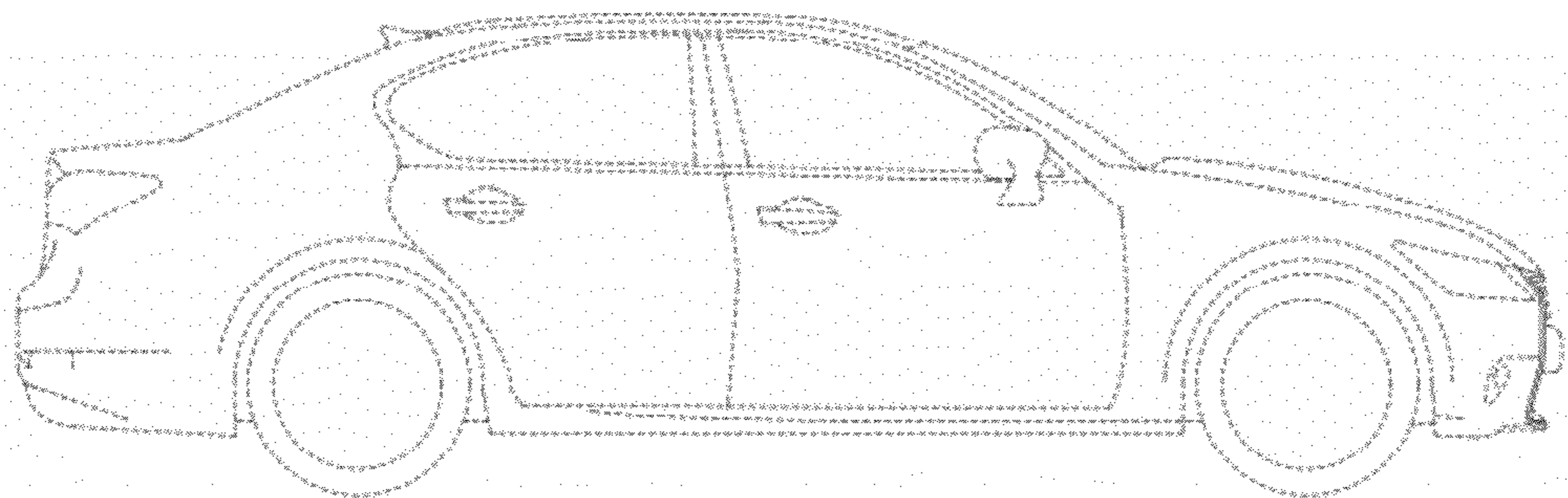


FIG. 3

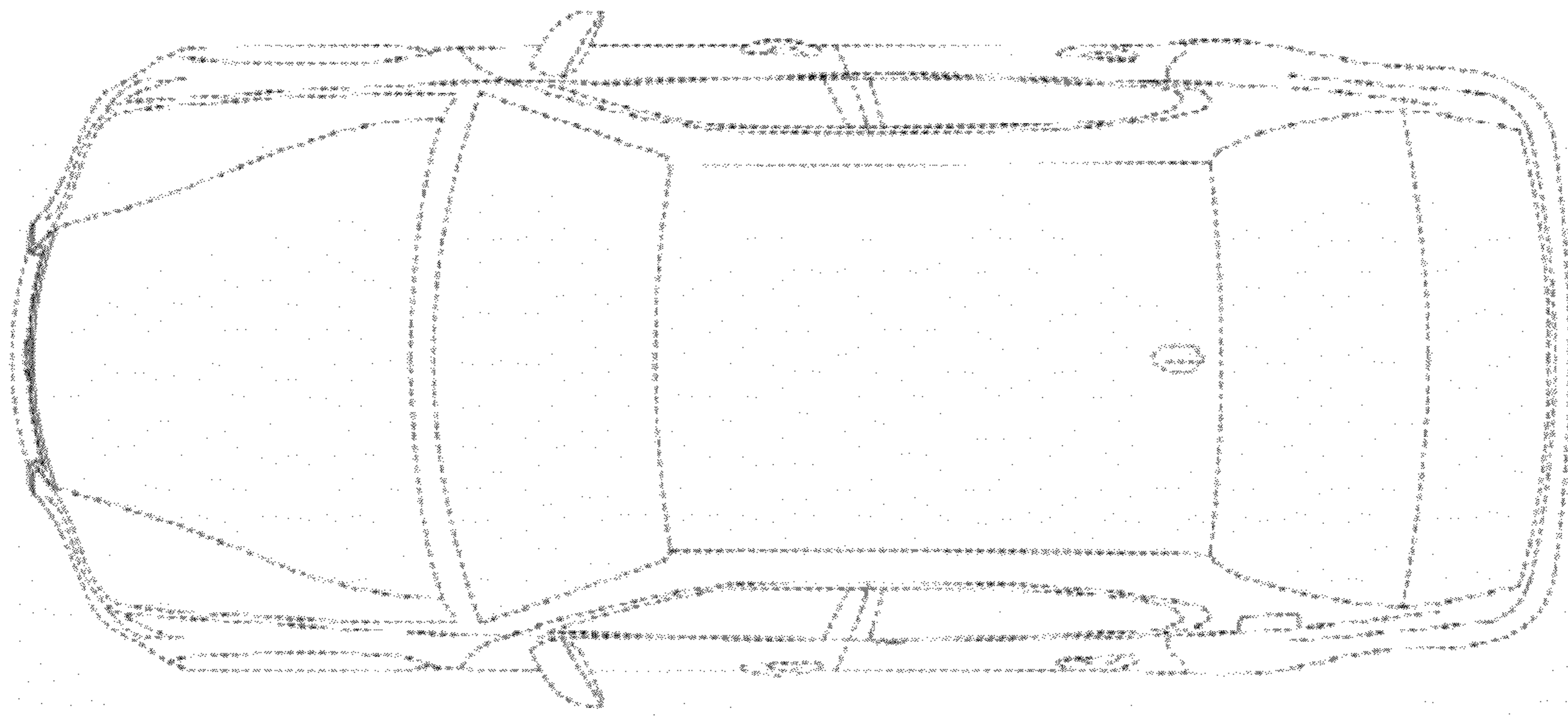


FIG. 4

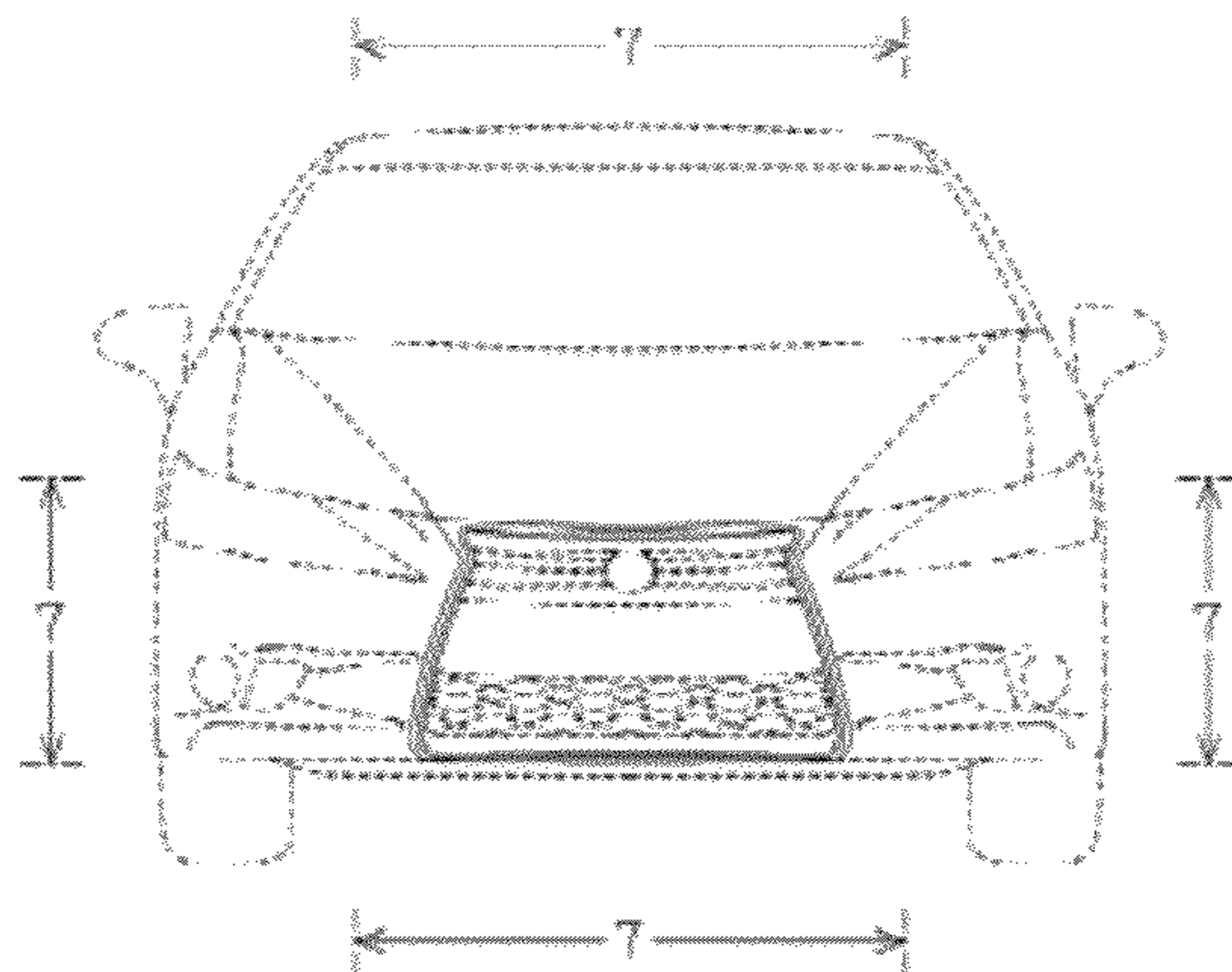


FIG. 5

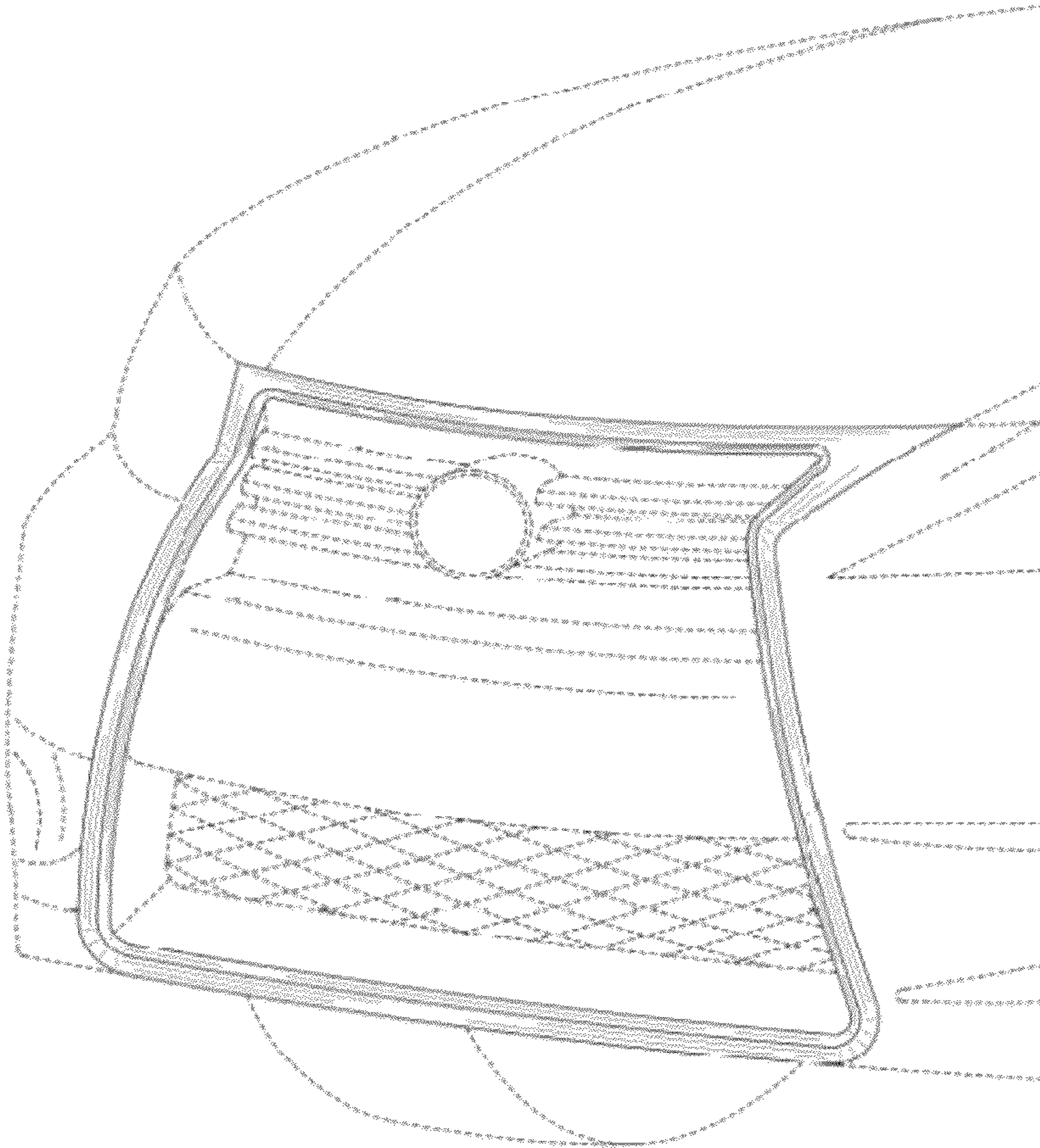


FIG. 6

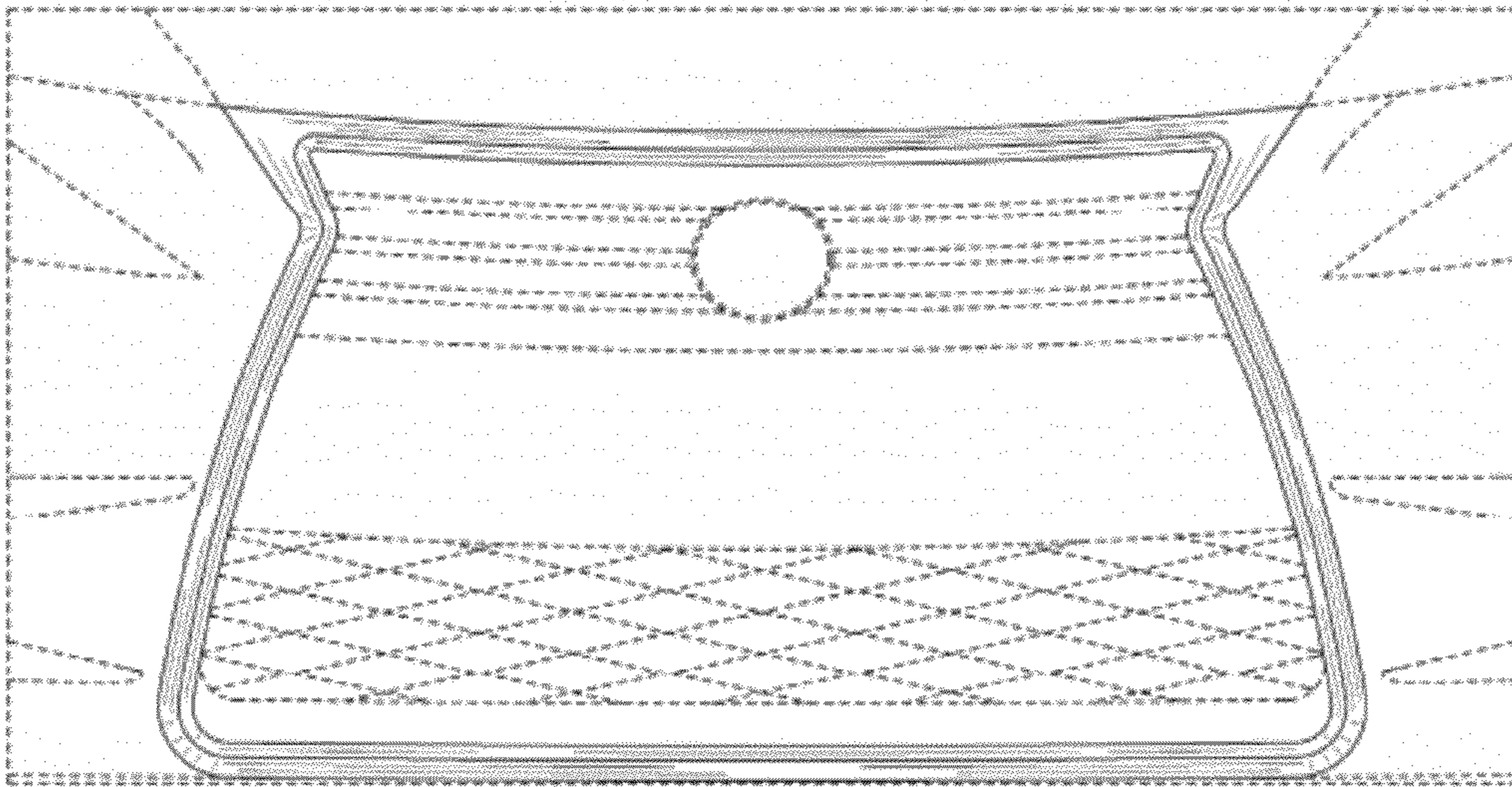


FIG. 7