



US00D669405S

(12) **United States Design Patent**
Gifford

(10) **Patent No.:** **US D669,405 S**

(45) **Date of Patent:** **** Oct. 23, 2012**

(54) **VEHICLE FRONT FENDER**

(75) Inventor: **Daniel C. Gifford**, Sterling Heights, MI
(US)

(73) Assignee: **GM Global Technology Operations,**
LLC, Detroit, MI (US)

(**) Term: **14 Years**

(21) Appl. No.: **29/397,015**

(22) Filed: **Jul. 11, 2011**

(51) **LOC (9) Cl.** **12-16**

(52) **U.S. Cl.** **D12/184**

(58) **Field of Classification Search** D12/184,
D12/196, 90-92, 181; 280/152.1, 847-849,
280/851; 296/181.1, 181.5

See application file for complete search history.

(56) **References Cited**

U.S. PATENT DOCUMENTS

| | | | |
|--------------|--------|---------------------|---------|
| D598,347 S * | 8/2009 | Mattin et al. | D12/184 |
| D607,797 S * | 1/2010 | Walter et al. | D12/184 |
| D609,150 S * | 2/2010 | Krugger et al. | D12/184 |
| D610,512 S * | 2/2010 | Bucher et al. | D12/184 |

* cited by examiner

Primary Examiner — Melody N Brown

(74) *Attorney, Agent, or Firm* — Parks IP Law LLC; Mickki D. Murray, Esq.

(57) **CLAIM**

The ornamental design for a vehicle front fender, as shown and described.

DESCRIPTION

FIG. 1 is perspective of a vehicle front fender showing the new design;
FIG. 2 is a side view, thereof;
FIG. 3 is a front view, thereof; and,
FIG. 4 is a top plan view, thereof.

1 Claim, 1 Drawing Sheet

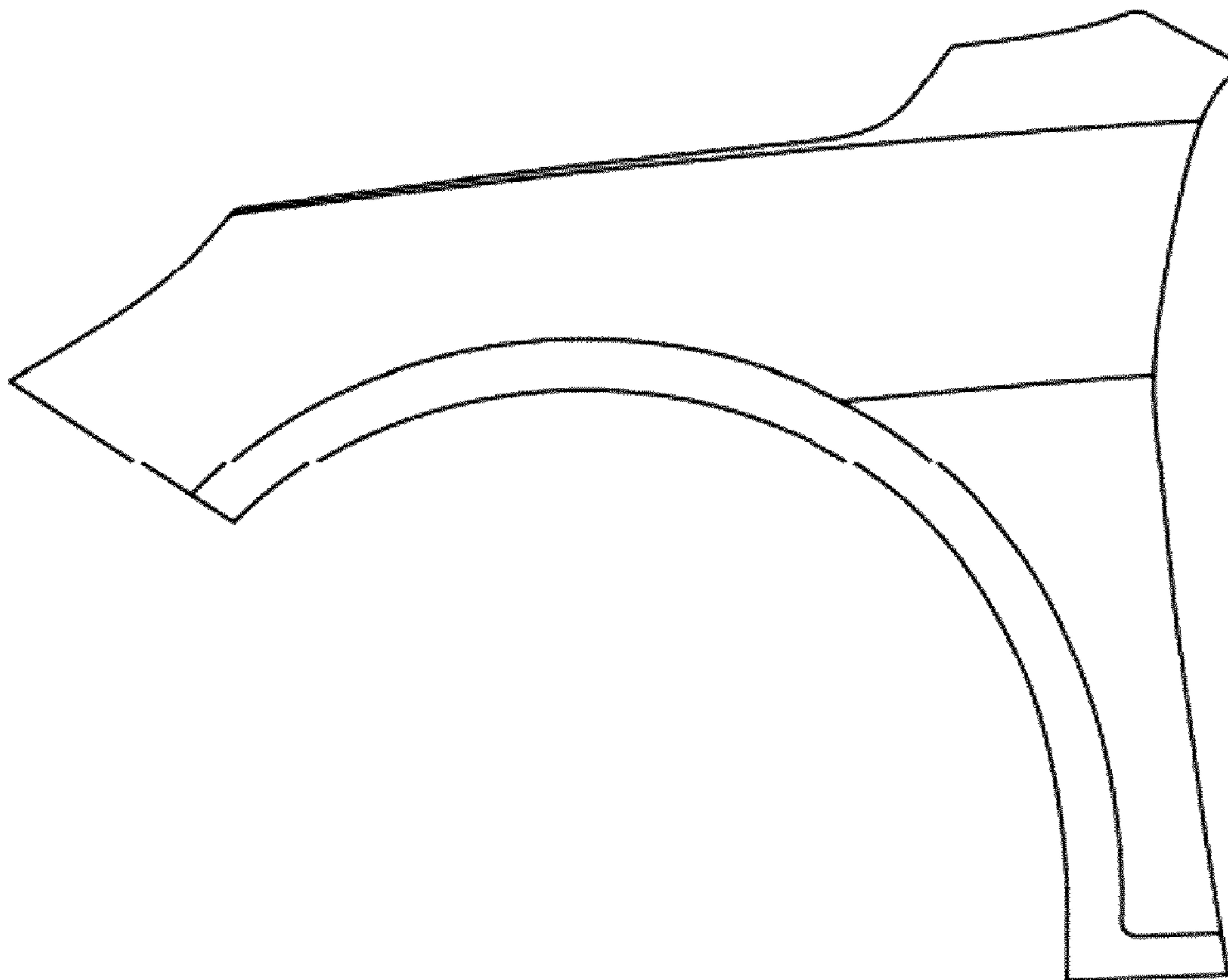


Fig-1

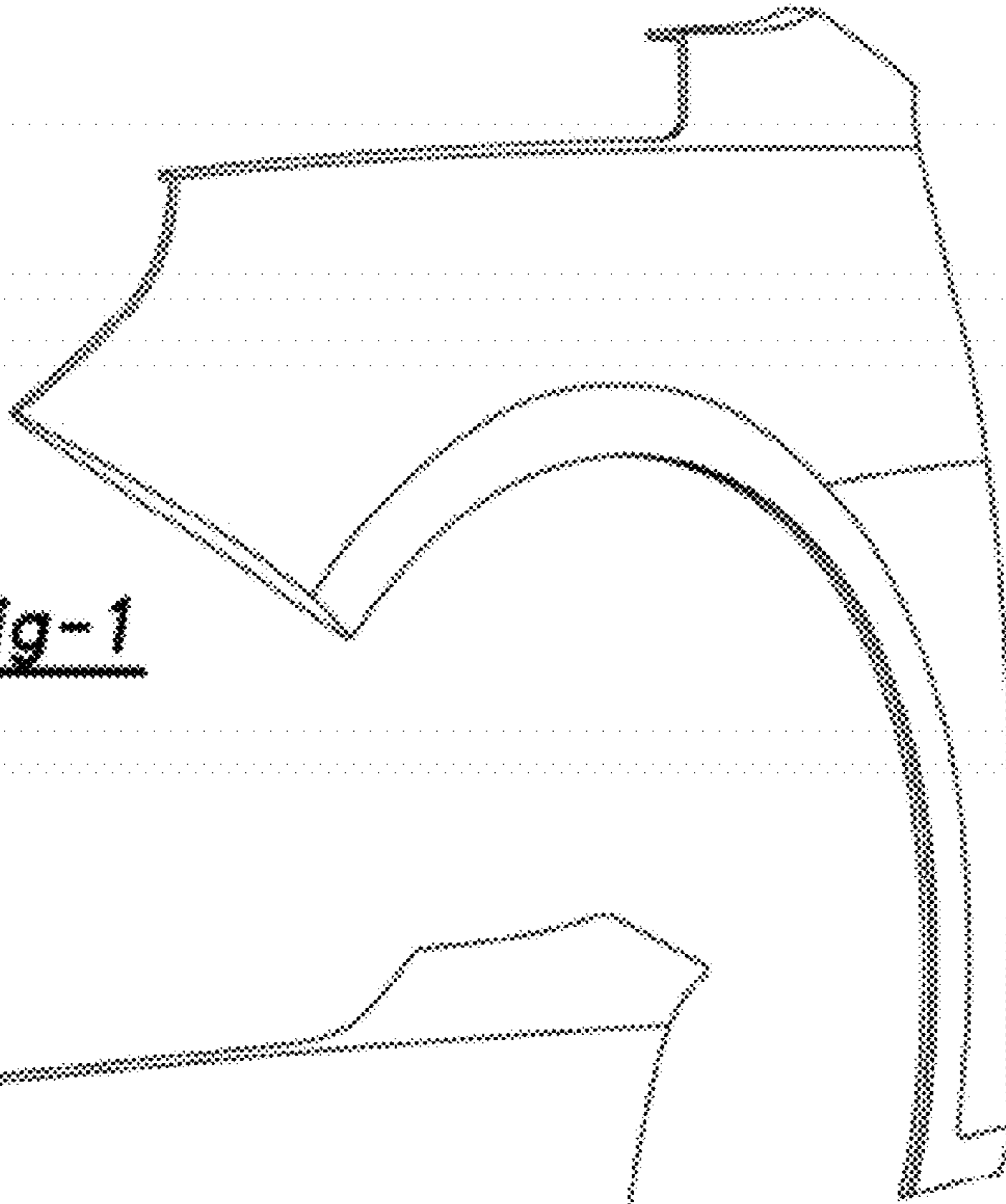


Fig-2

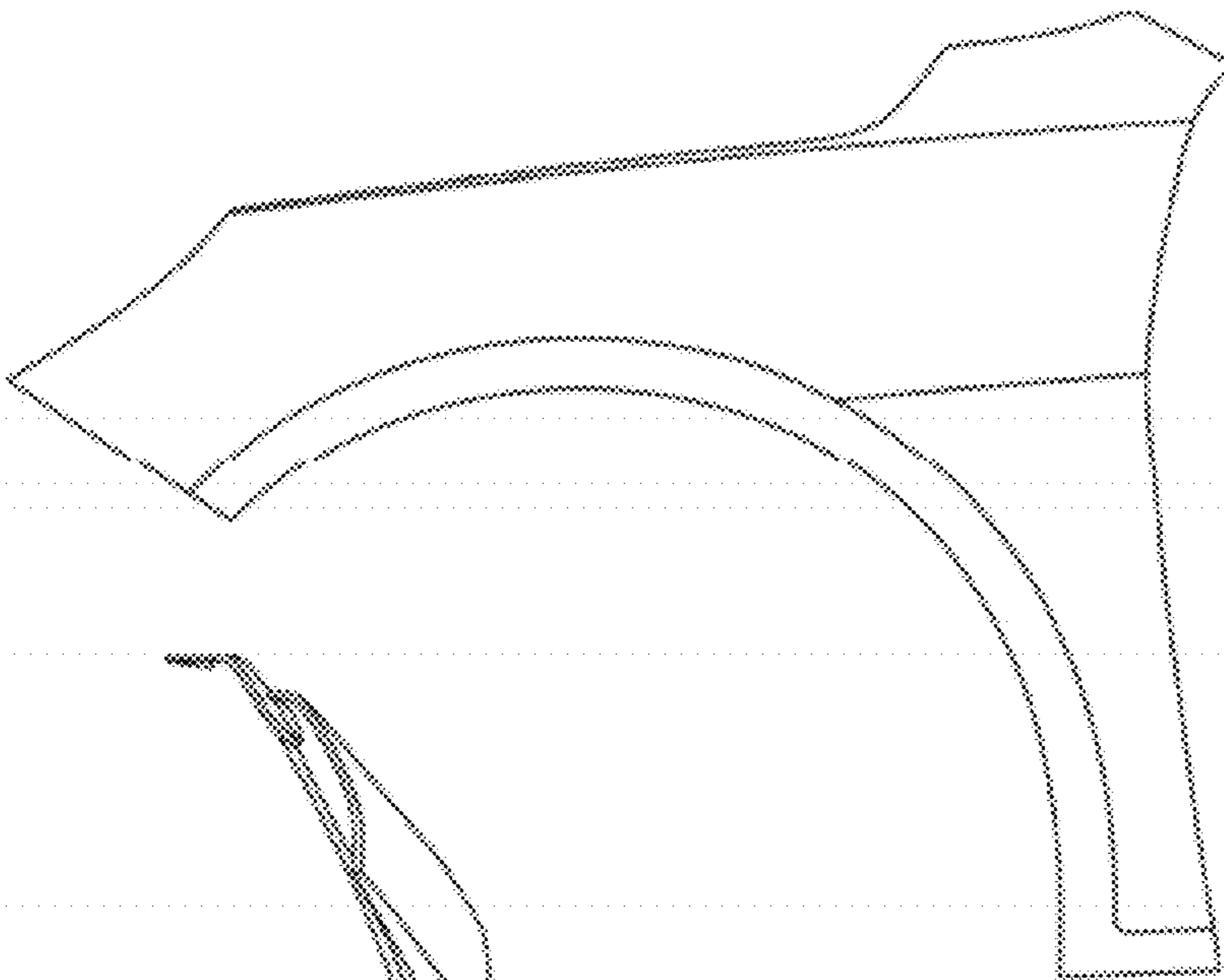


Fig-3

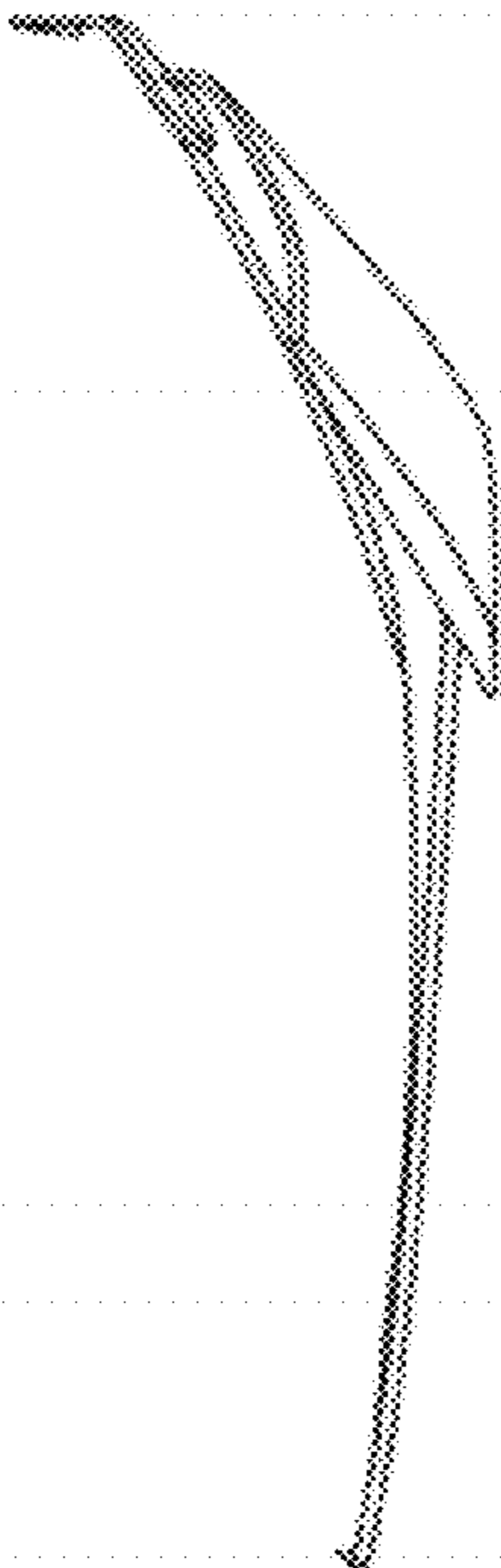


Fig-4

