

US00D669404S

(12) **United States Design Patent**
Bondra

(10) **Patent No.:** **US D669,404 S**

(45) **Date of Patent:** **** Oct. 23, 2012**

(54) **CAR BRAKE/CLUTCH PEDAL**

(76) Inventor: **Kevin Bondra**, Macomb, MI (US)

(**) Term: **14 Years**

(21) Appl. No.: **29/386,428**

(22) Filed: **Mar. 1, 2011**

(51) **LOC (9) Cl.** **12-16**

(52) **U.S. Cl.** **D12/174**

(58) **Field of Classification Search** D12/174;
74/560-563, 594.4; 280/259, 291; 403/257
See application file for complete search history.

(56) **References Cited**

U.S. PATENT DOCUMENTS

| | | | | |
|-----------|-----|--------|--------------|---------|
| 5,398,569 | A * | 3/1995 | Carr | 74/512 |
| 5,865,067 | A * | 2/1999 | Knapp | 74/512 |
| D424,994 | S * | 5/2000 | Asakura | D12/174 |
| D437,271 | S * | 2/2001 | Saleen | D12/174 |
| D444,436 | S * | 7/2001 | Saleen | D12/174 |
| D479,167 | S * | 9/2003 | Faust et al. | D12/174 |

* cited by examiner

Primary Examiner — Melody N Brown

(74) *Attorney, Agent, or Firm* — Gifford, Krass, Sprinkle, Anderson & Citkowski, P.C.

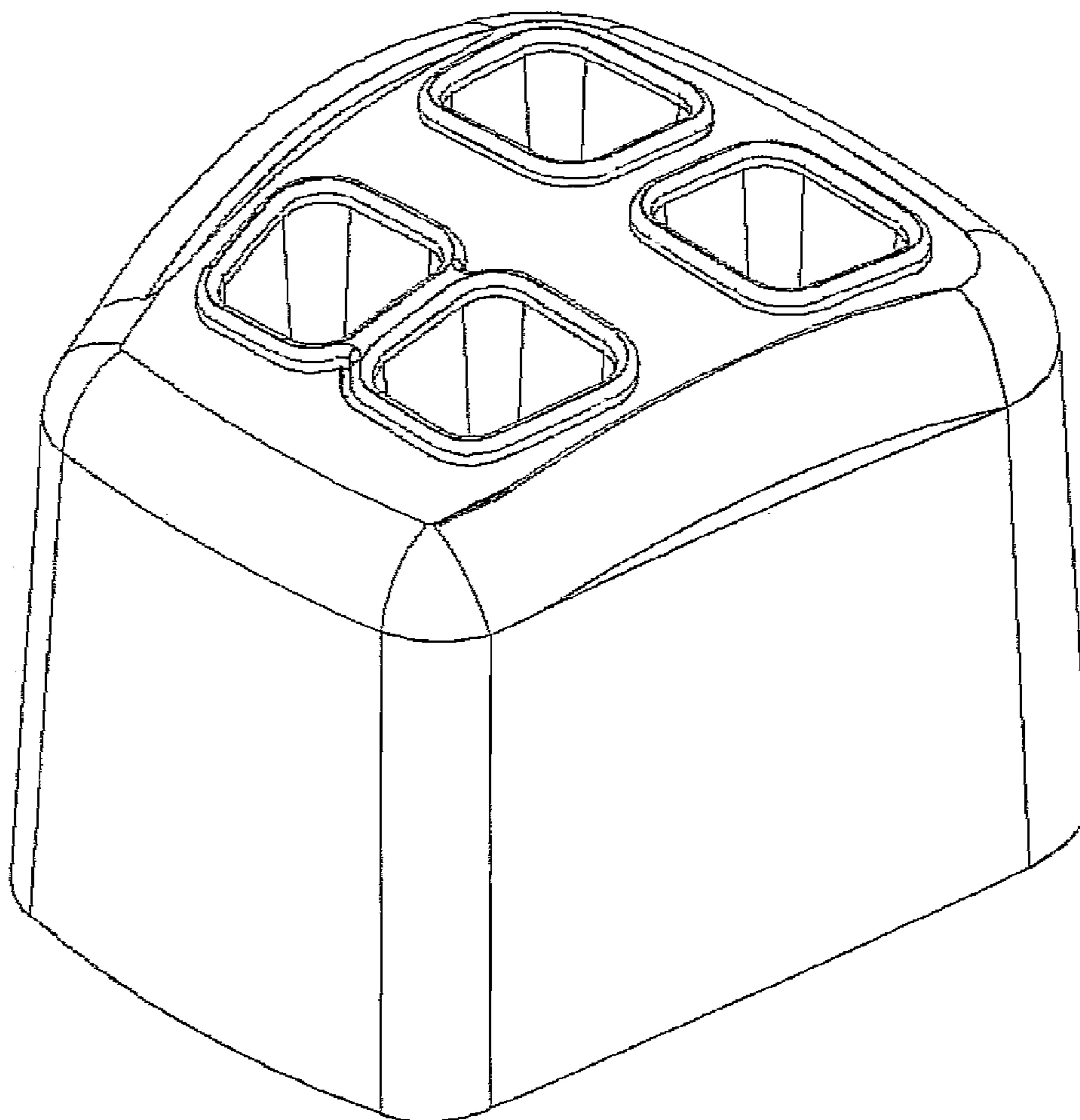
(57) **CLAIM**

The ornamental design for a car brake/clutch pedal, as shown and described.

DESCRIPTION

FIG. 1 is a perspective view of the car brake/clutch pedal according to the present invention; FIG. 2 is a front elevational view thereof; FIG. 3 is a rear elevational view thereof; FIG. 4 is a bottom view thereof; FIG. 5 is a top view thereof; FIG. 6 is a side view thereof; and, FIG. 7 is an opposite side view thereof. The broken line showing the location of apertures is for purposes of illustrating environment and forms no part of the claimed design.

1 Claim, 6 Drawing Sheets



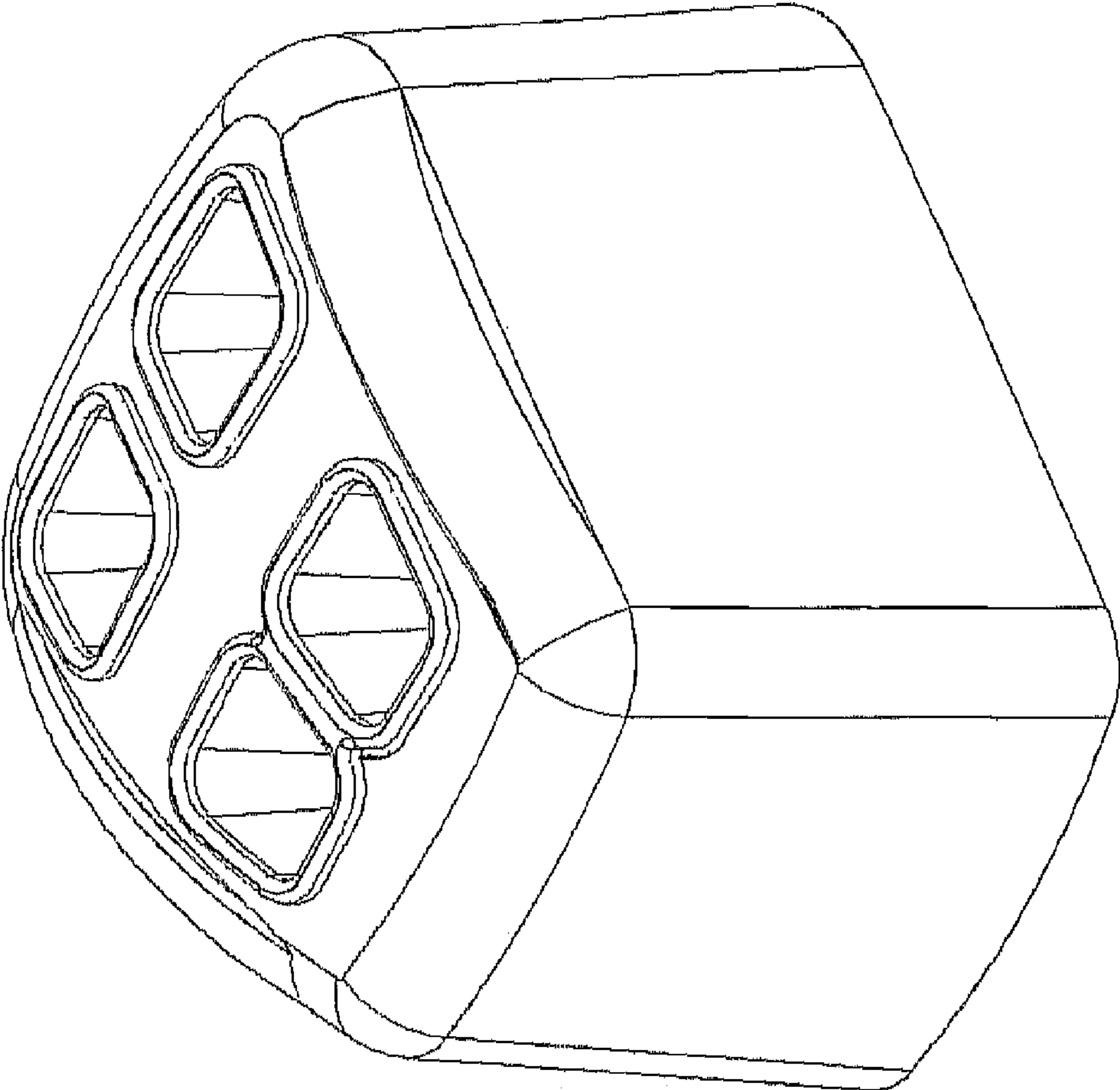


Fig-1

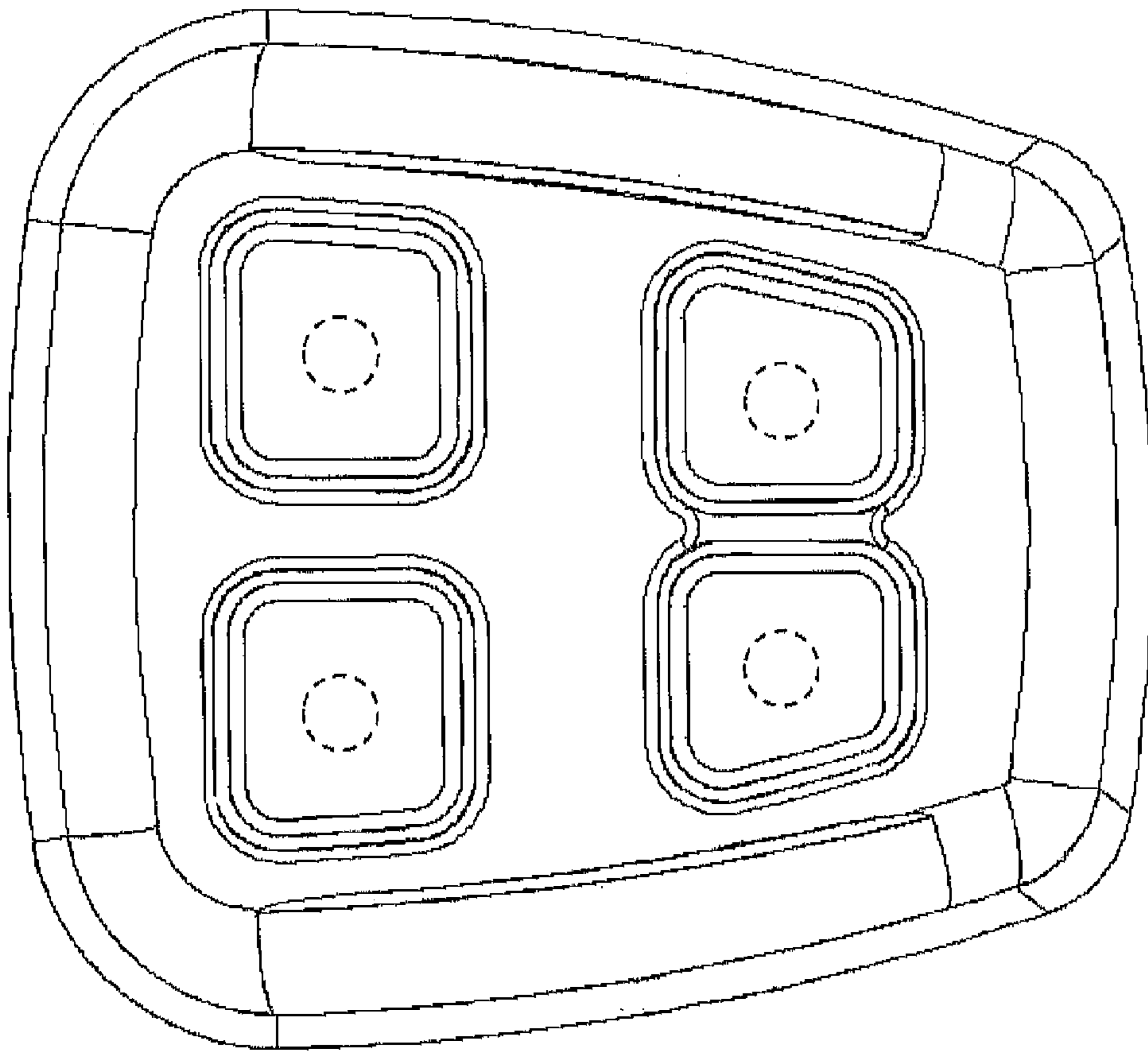


Fig-2

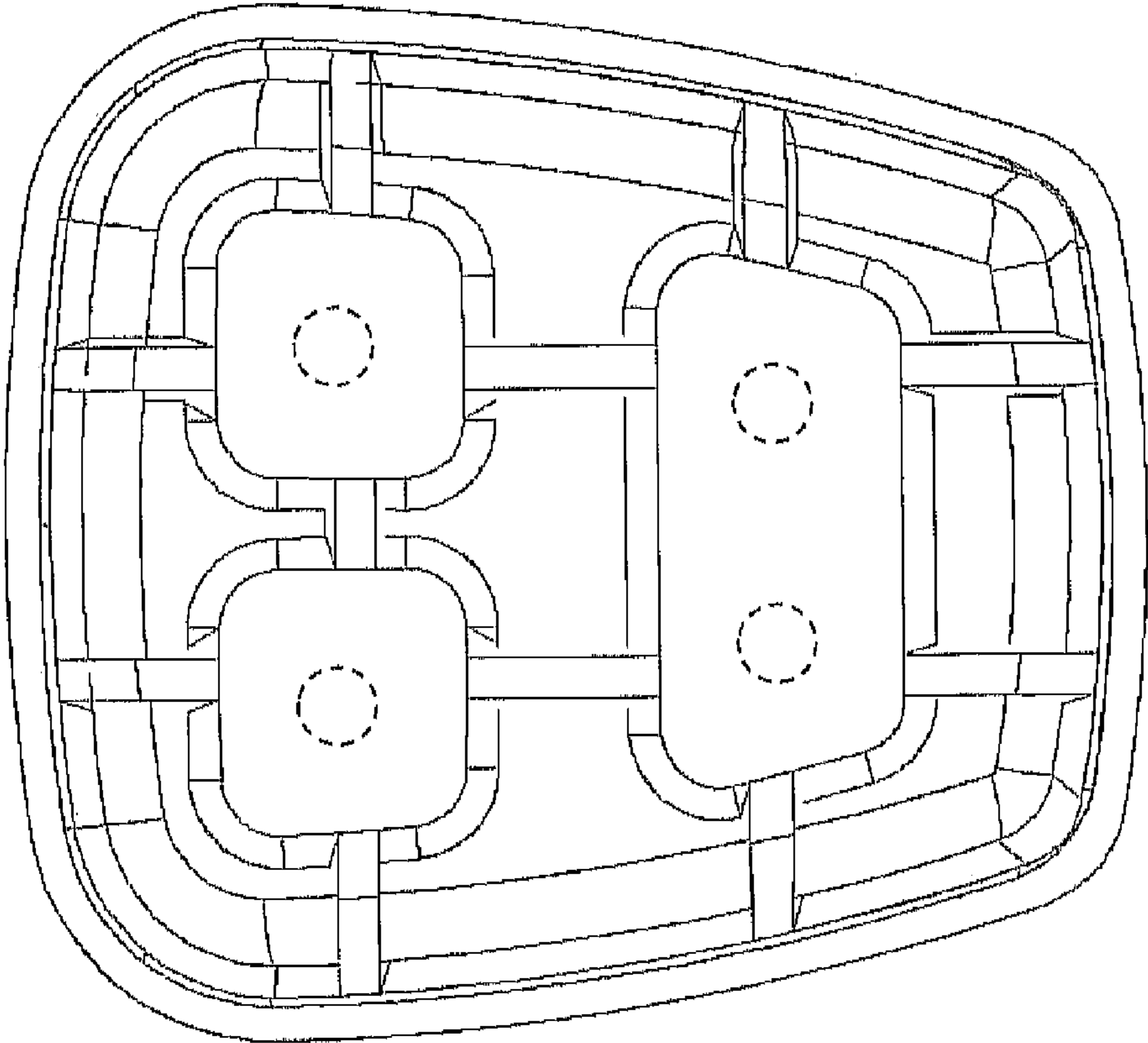


Fig-3

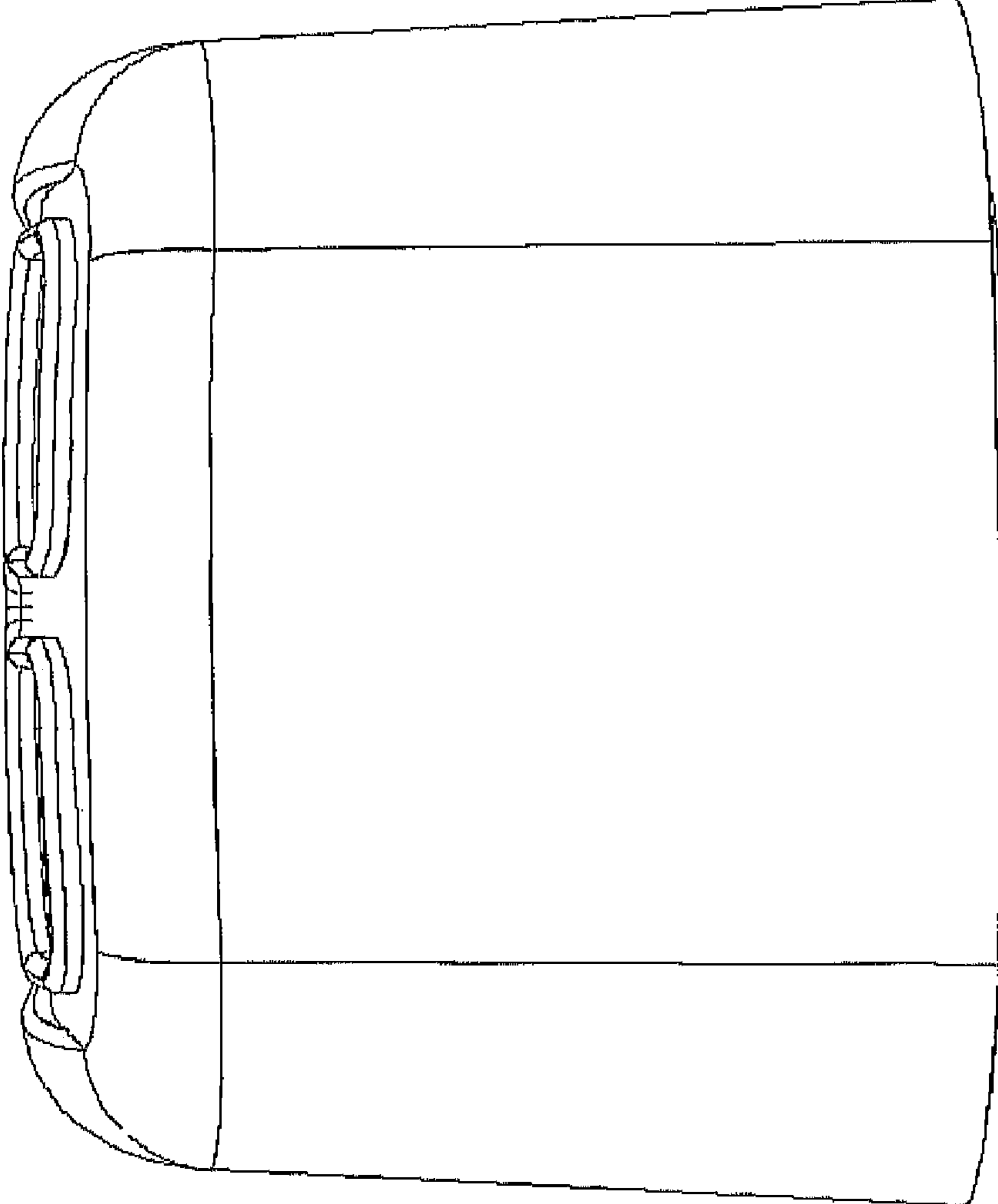


Fig-4

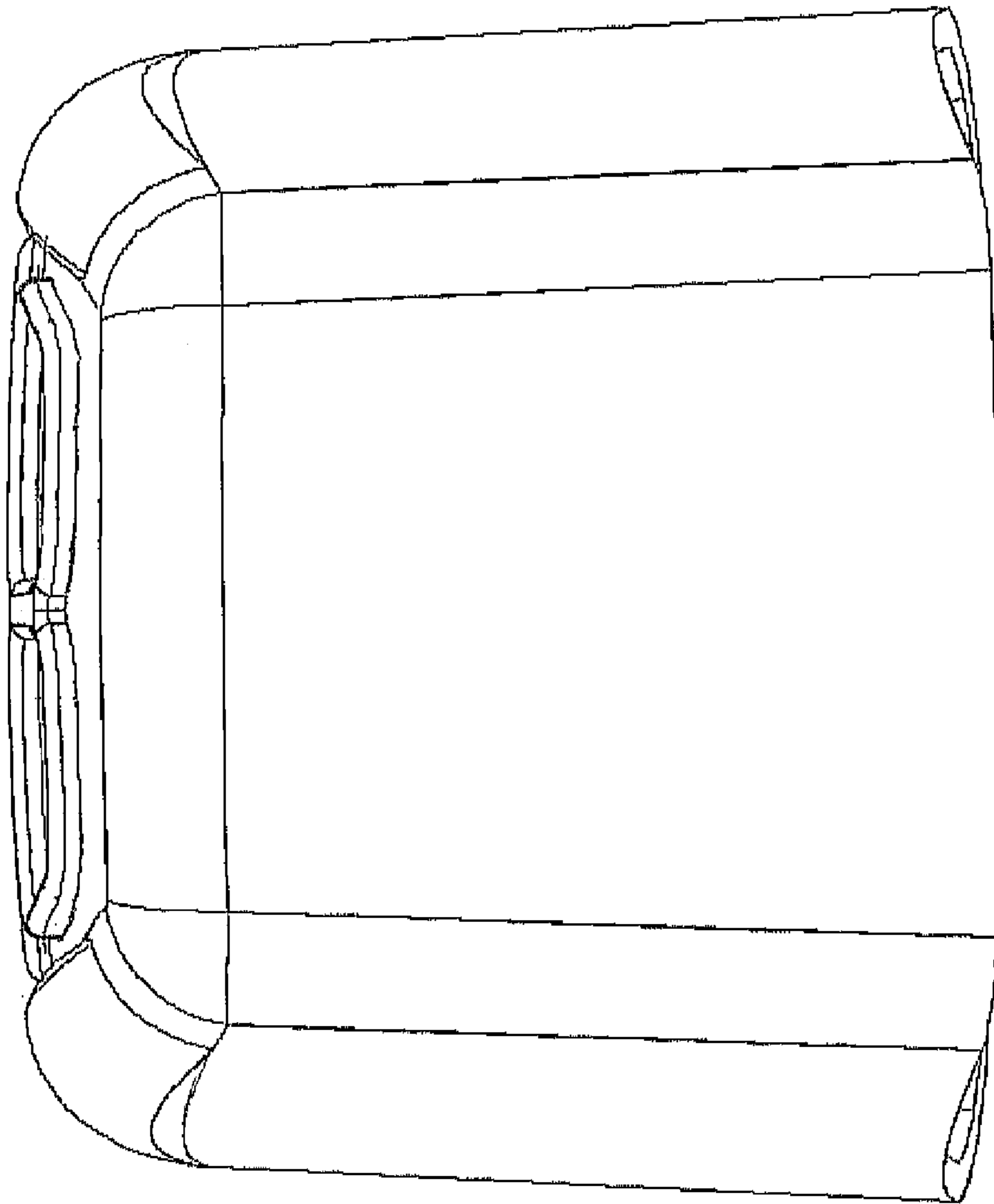


Fig-5

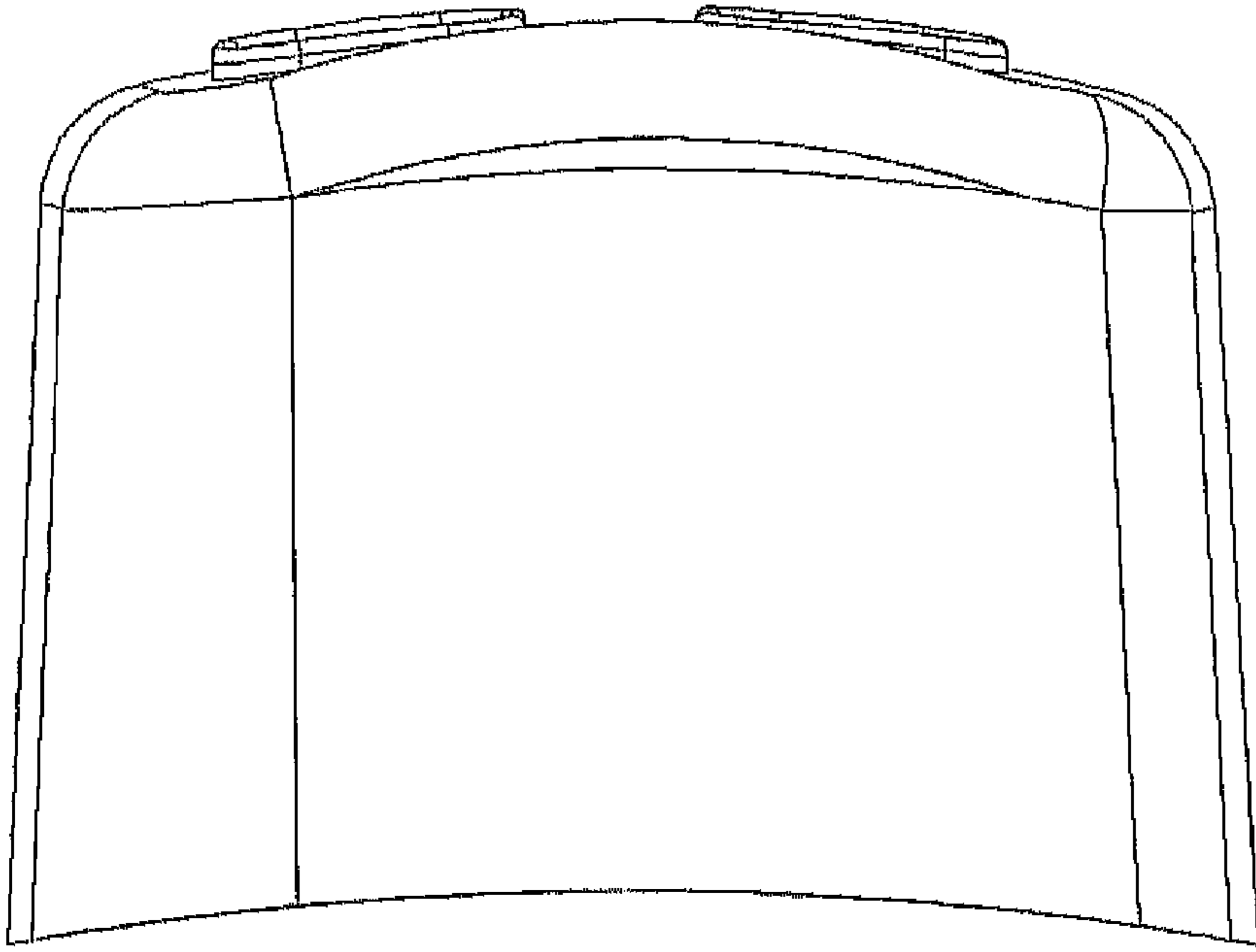


Fig-7

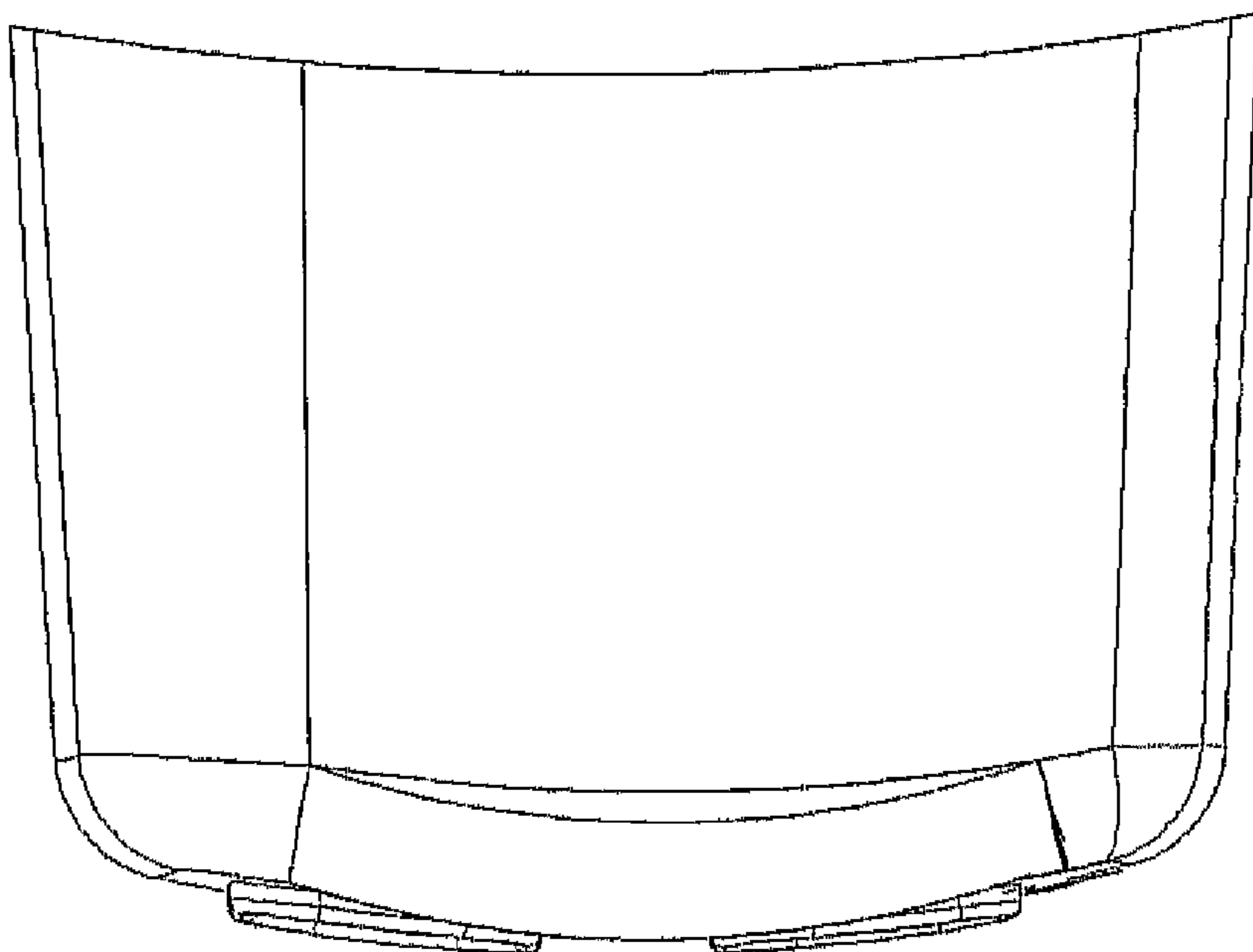


Fig-6