



US00D669403S

(12) **United States Design Patent**
Gifford

(10) **Patent No.:** **US D669,403 S**

(45) **Date of Patent:** **** Oct. 23, 2012**

(54) **VEHICLE HOOD**

(75) Inventor: **Daniel C. Gifford**, Sterling Heights, MI (US)

(73) Assignee: **GM Global Technology Operations, LLC**, Detroit, MI (US)

(**) Term: **14 Years**

(21) Appl. No.: **29/397,018**

(22) Filed: **Jul. 11, 2011**

(51) **LOC (9) Cl.** **12-16**

(52) **U.S. Cl.** **D12/173**

(58) **Field of Classification Search** D12/173,
D12/196, 86, 90-92; 180/69.21, 69.2, 69.22
See application file for complete search history.

(56) **References Cited**

U.S. PATENT DOCUMENTS

D583,733 S * 12/2008 Walter et al. D12/173
D600,609 S * 9/2009 Mattin et al. D12/173

D607,792 S * 1/2010 Weil D12/173
D630,982 S * 1/2011 Schneider D12/173
D633,014 S * 2/2011 Bauer et al. D12/173
D644,579 S * 9/2011 Messale D12/173

* cited by examiner

Primary Examiner — Melody N Brown

(74) *Attorney, Agent, or Firm* — Parks IP Law LLC; Mickki D. Murray, Esq.

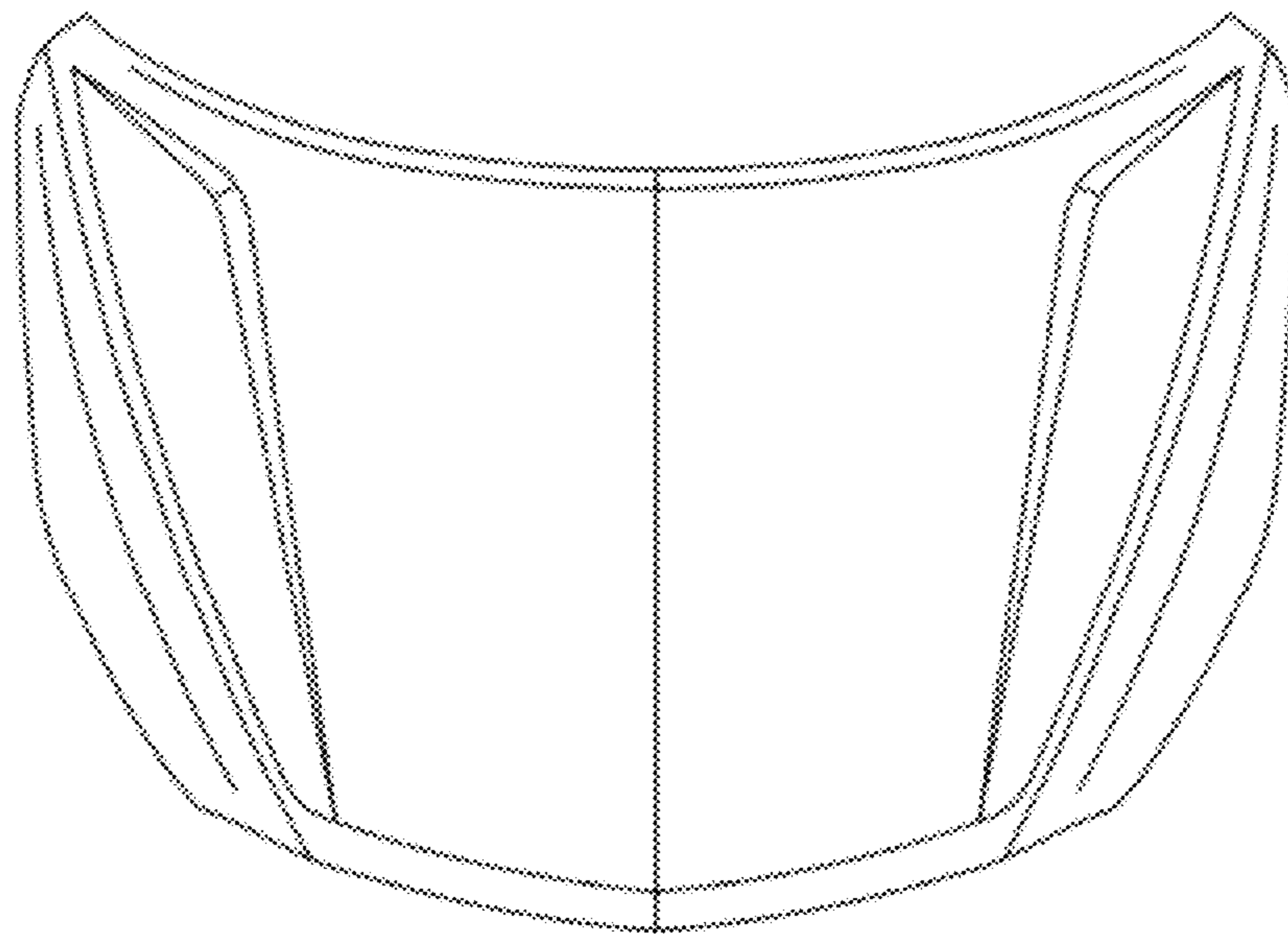
(57) **CLAIM**

The ornamental design for a vehicle hood, as shown and described.

DESCRIPTION

FIG. 1 is perspective of a vehicle hood showing the new design;
FIG. 2 is a top plan view, thereof;
FIG. 3 is a front view, thereof; and,
FIG. 4 is a side view, thereof.

1 Claim, 1 Drawing Sheet



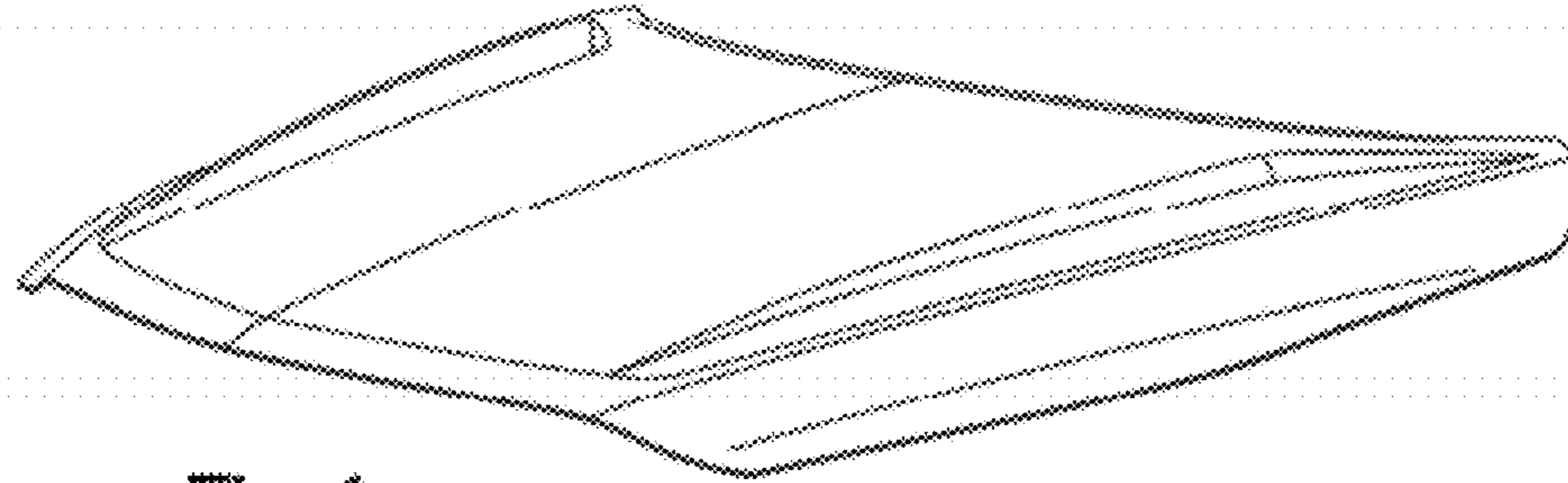


Fig-1

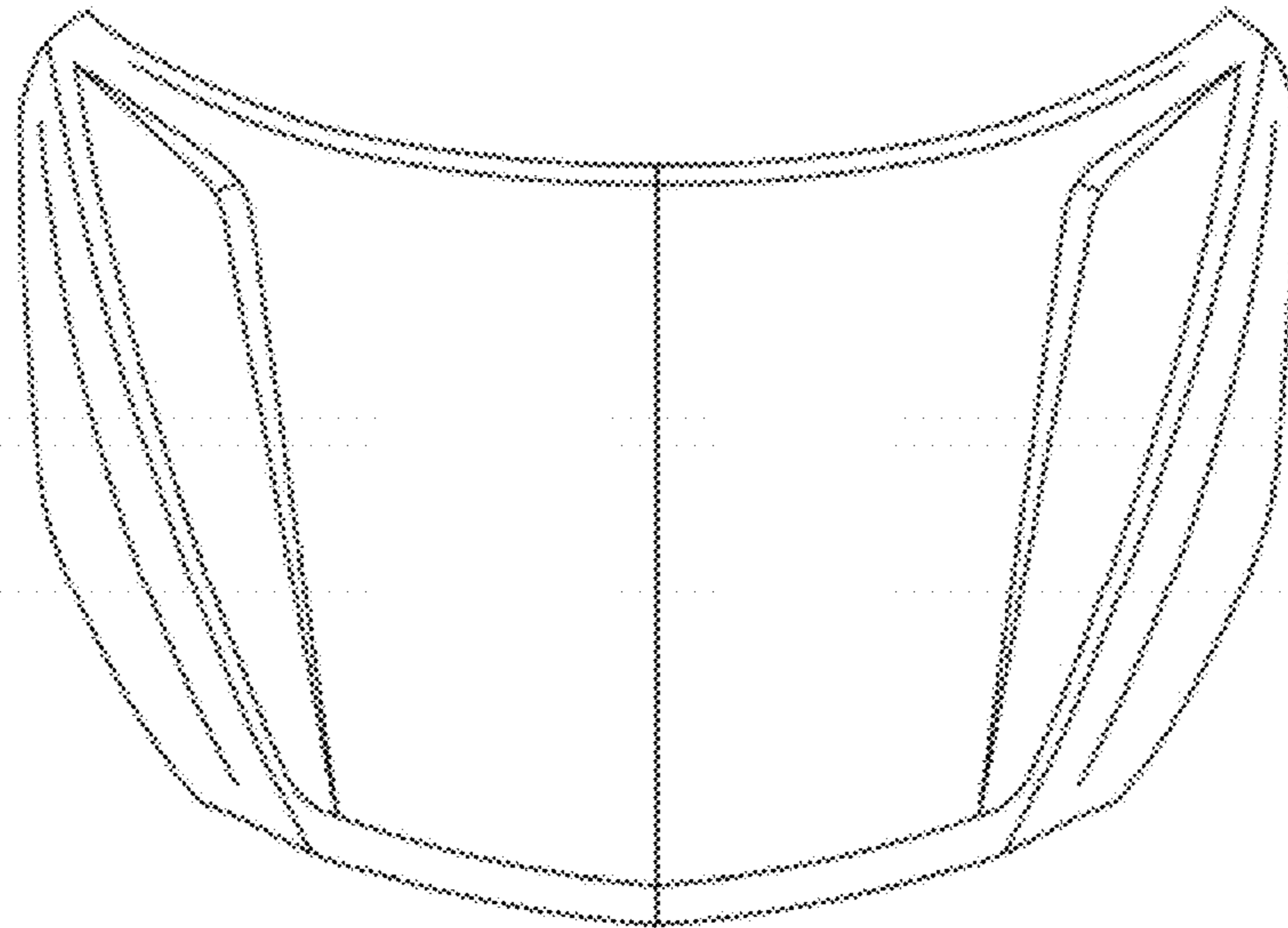


Fig-2

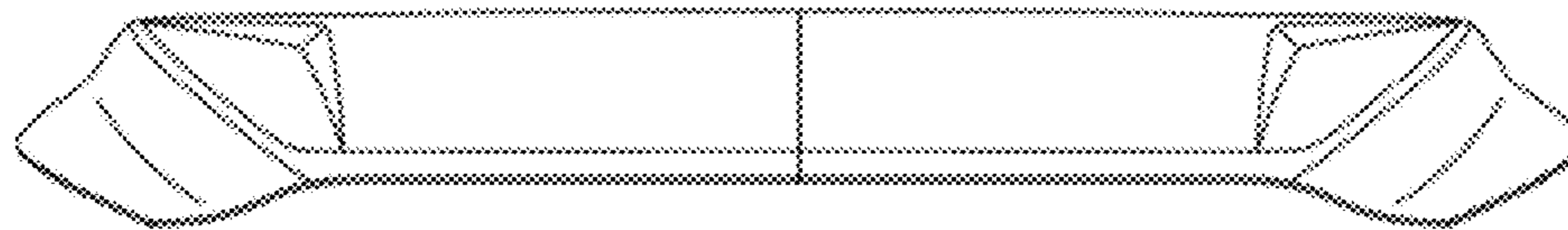


Fig-3

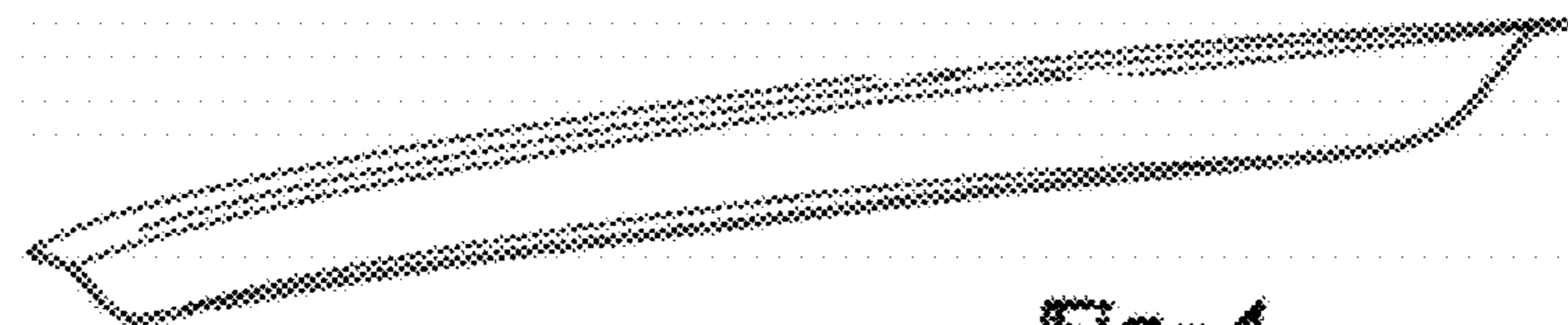


Fig-4